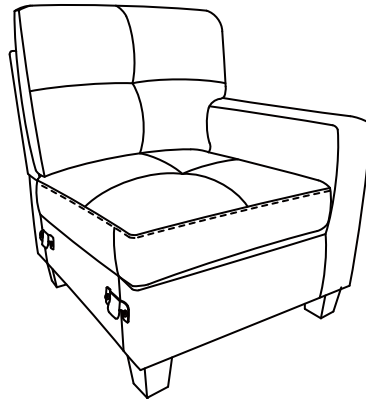


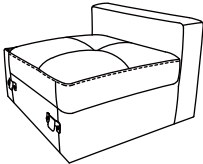
ASSEMBLY INSTRUCTION

ITEM NO.: F8001R / F8002R

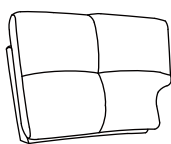


PARTS LIST

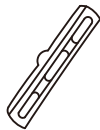
A x1



B x1



C x2



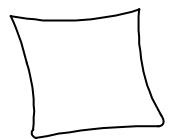
D x4



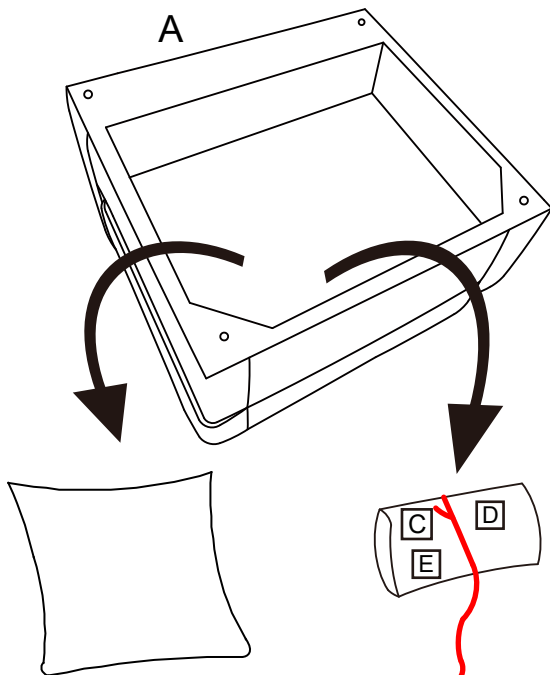
E x4



F x1

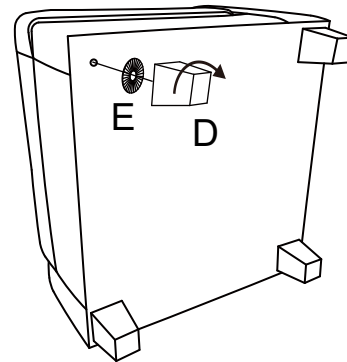


STEP 1



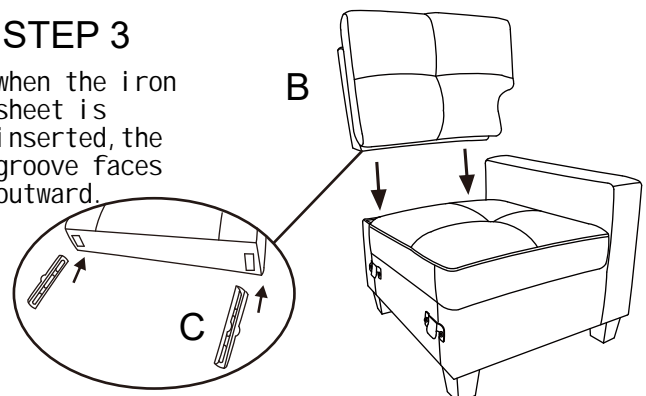
F Take out the soft bag and wait a few minutes to fully open it before using

STEP 2



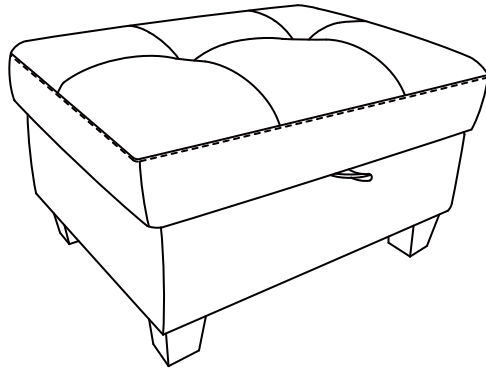
STEP 3

when the iron sheet is inserted, the groove faces outward.



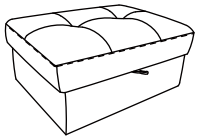
ASSEMBLY INSTRUCTION

ITEM NO.: F8001-O / F8002-O

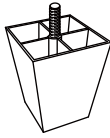


PARTS LIST

A x1



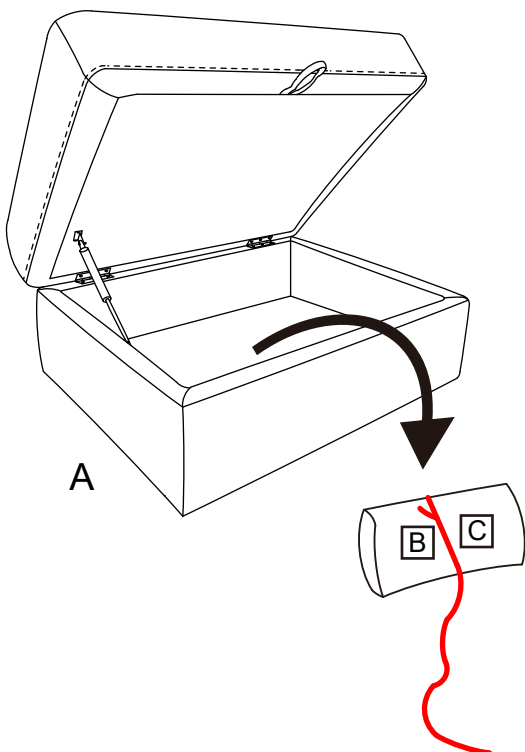
B x4



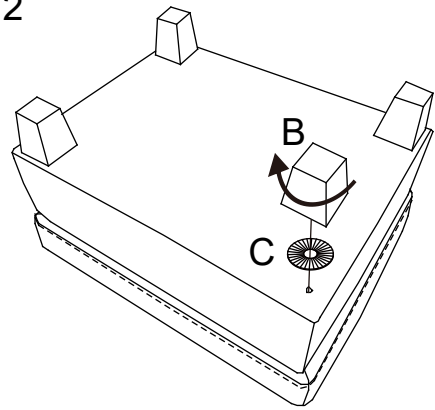
C x4



STEP 1



STEP 2



STEP 3

