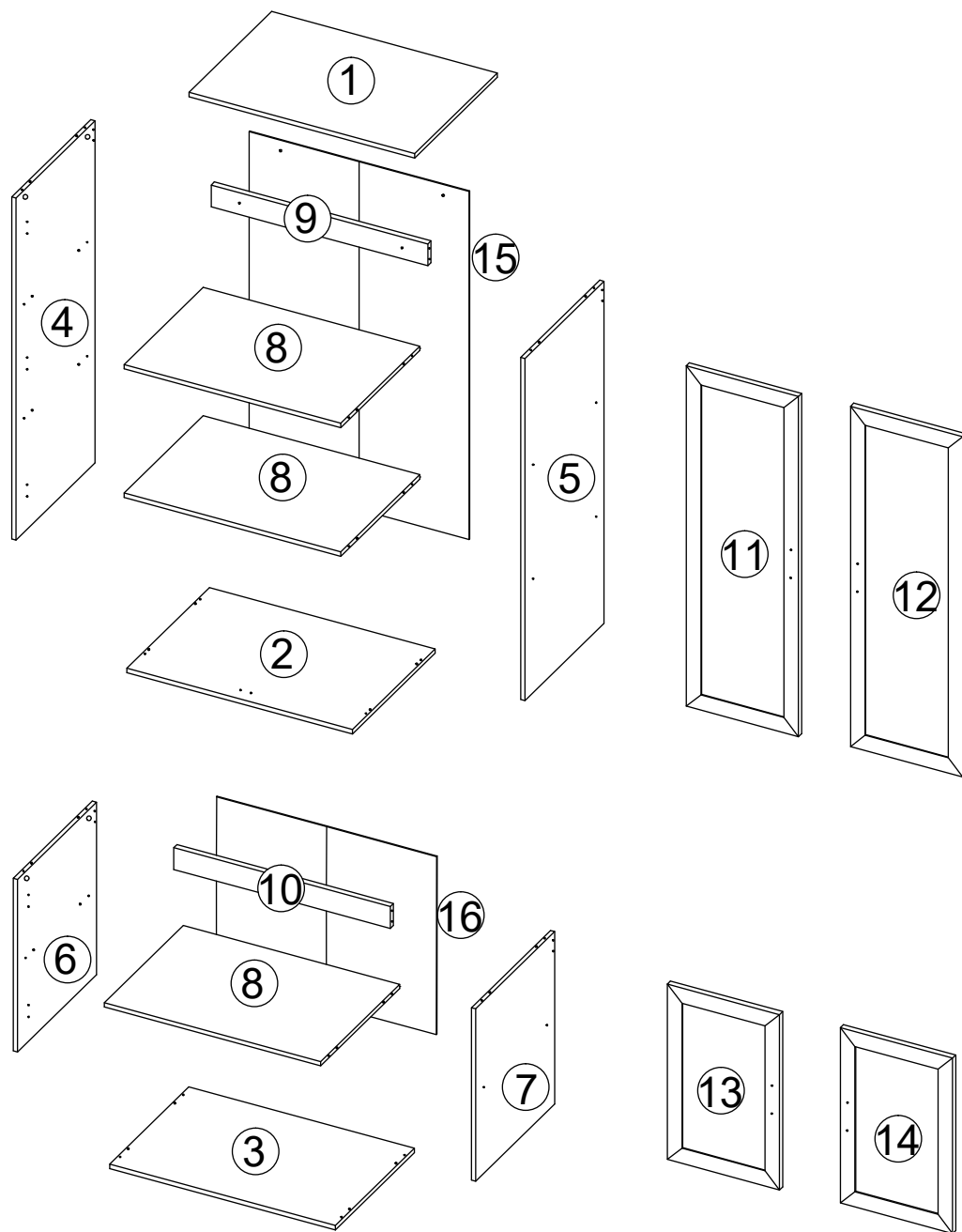
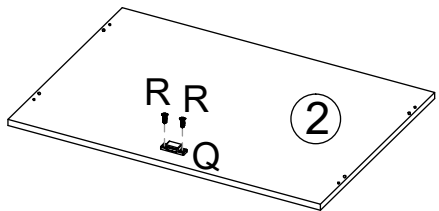
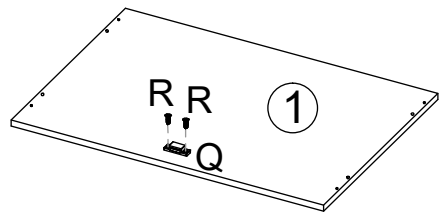




A	x8	B	x8	C	x20	D	x28	E	x28	F	x4
		Ø6x30mm	4x40mm		Ø6x50mm						
G	x2	H	x2	I	x4	J	x36	K	x4	L	x4
4x30mm					4x25mm						
M	x10	N	x40	O	x4	P	x8	Q	x2	R	x4
	3.5x14mm				4x18mm					3x14mm	
S	x4	T	x4								
3x12mm											

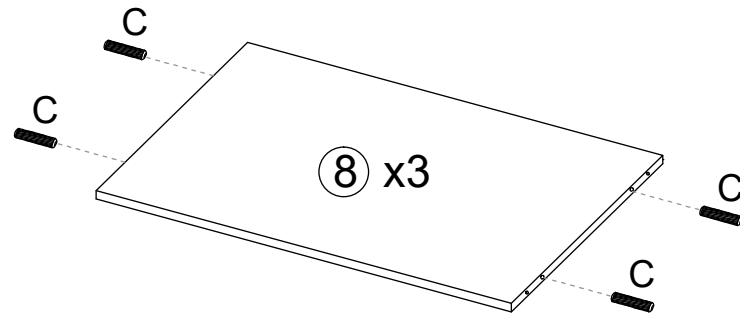



1



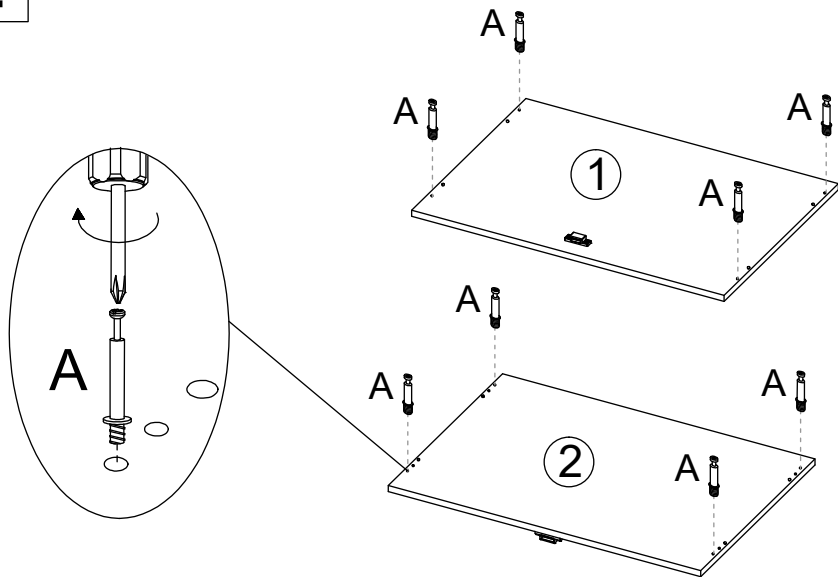
R	x4	Q	x2
			
3x14mm			


3



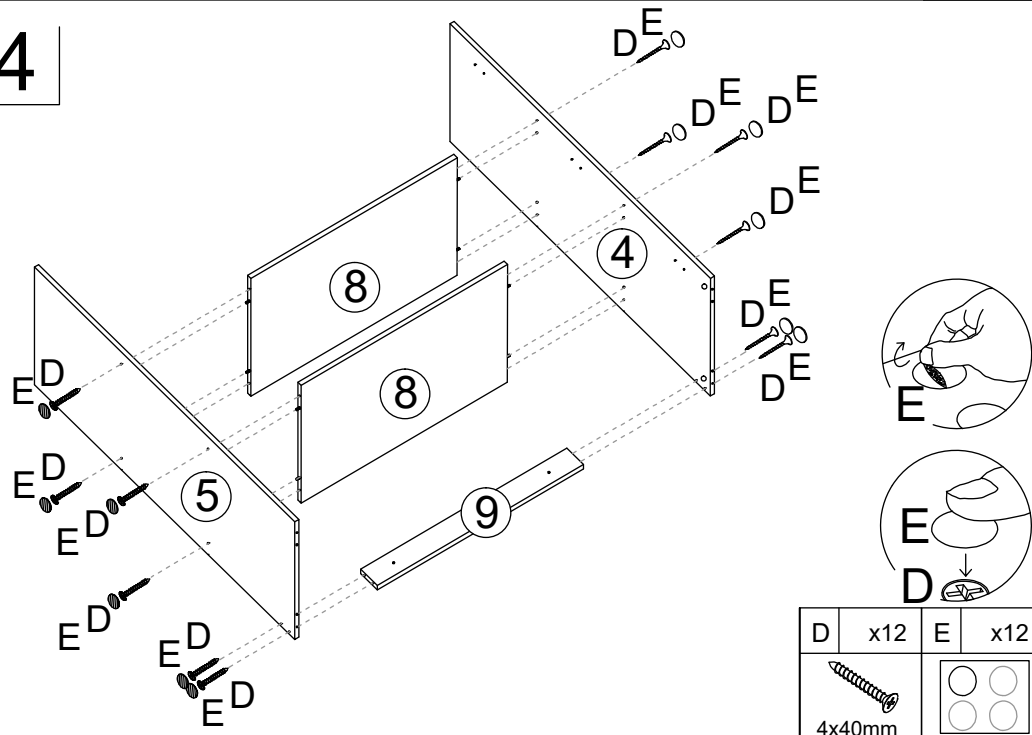
C	x12
	


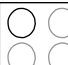
2



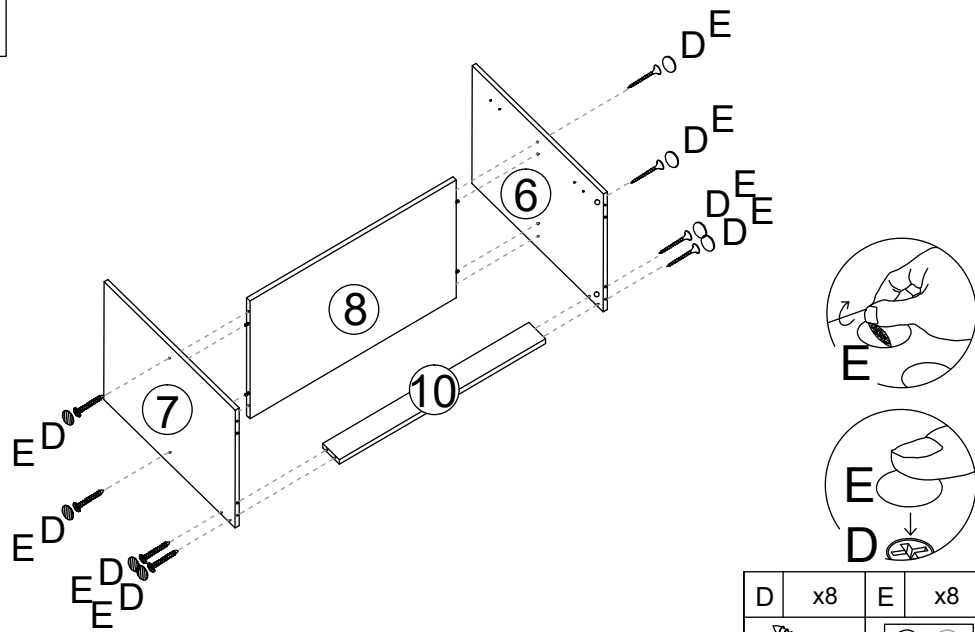
A	x8
	

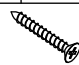
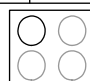
4



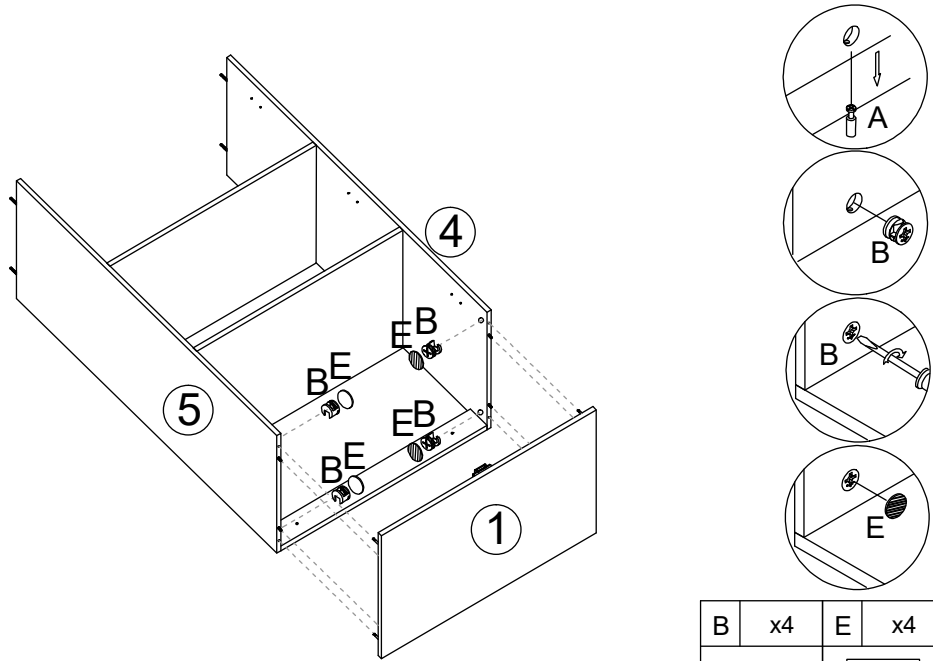
D	x12	E	x12
			
4x40mm			


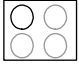
5



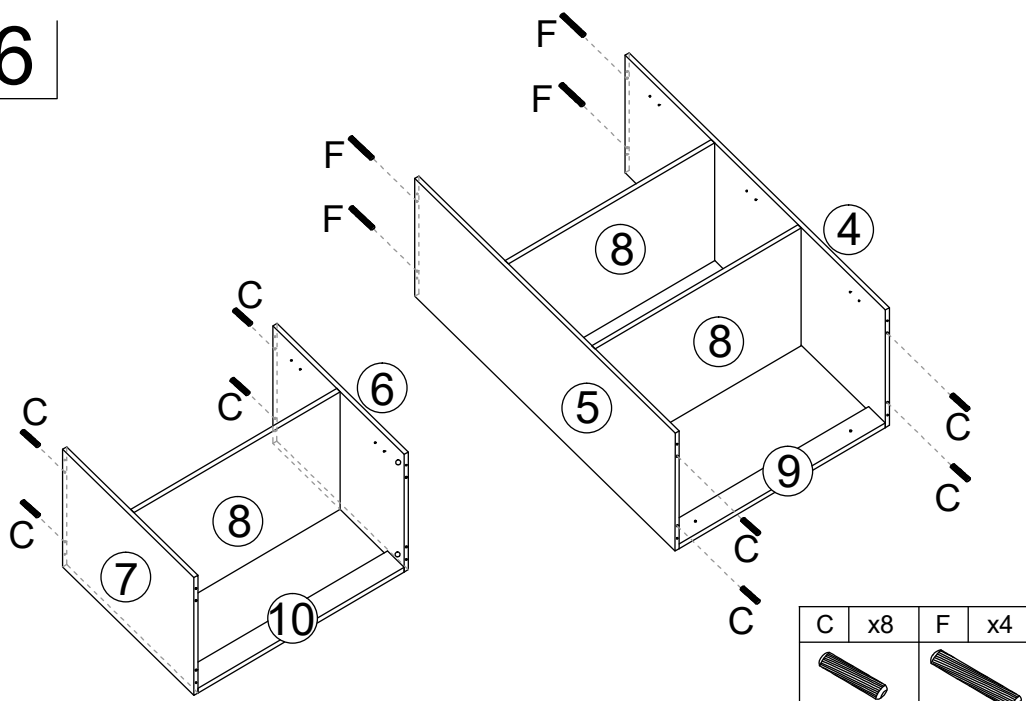
D	x8	E	x8
			
4x40mm			


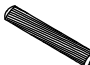
7



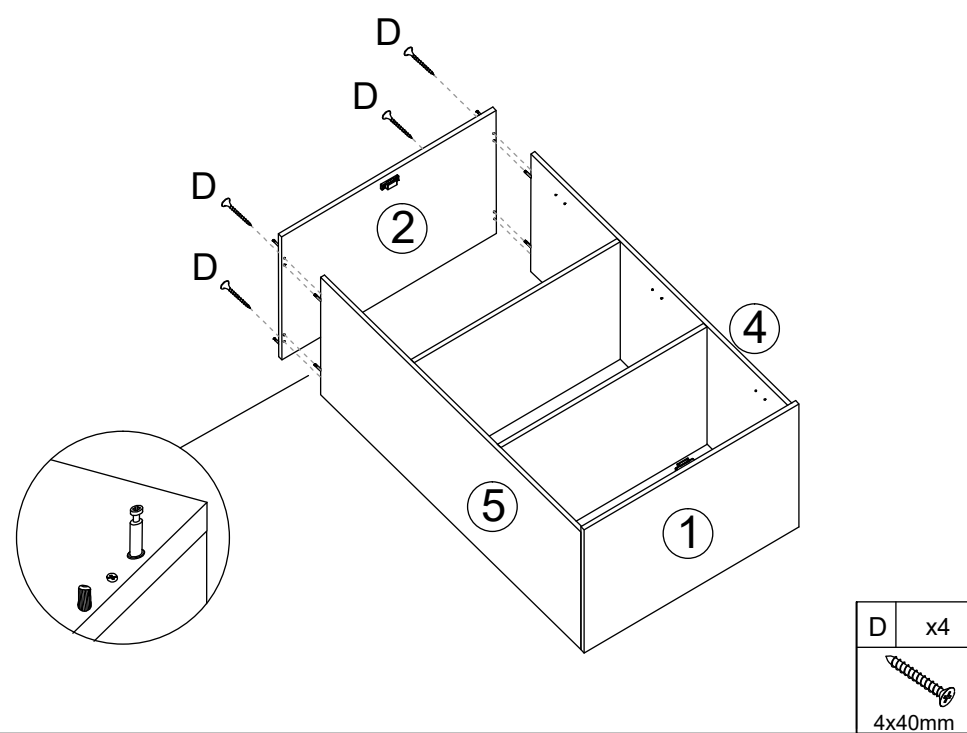
B	x4	E	x4
			

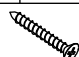
6



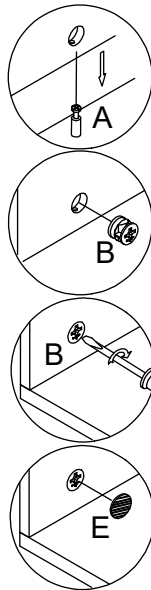
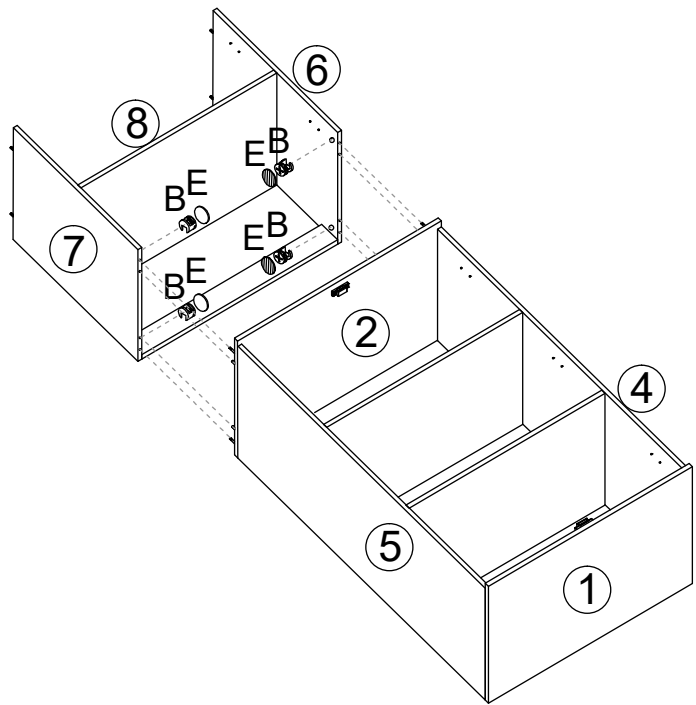
C	x8	F	x4
			
Ø6x30mm		Ø6x50mm	


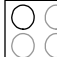
8



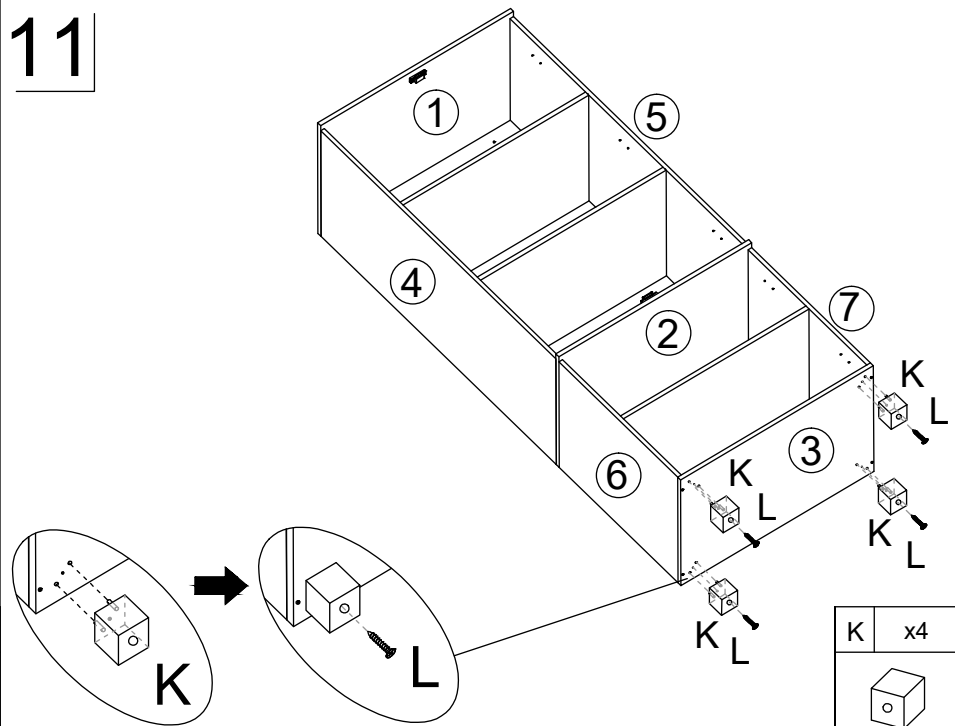
D	x4
	
4x40mm	



9



B	x4	E	x4
			

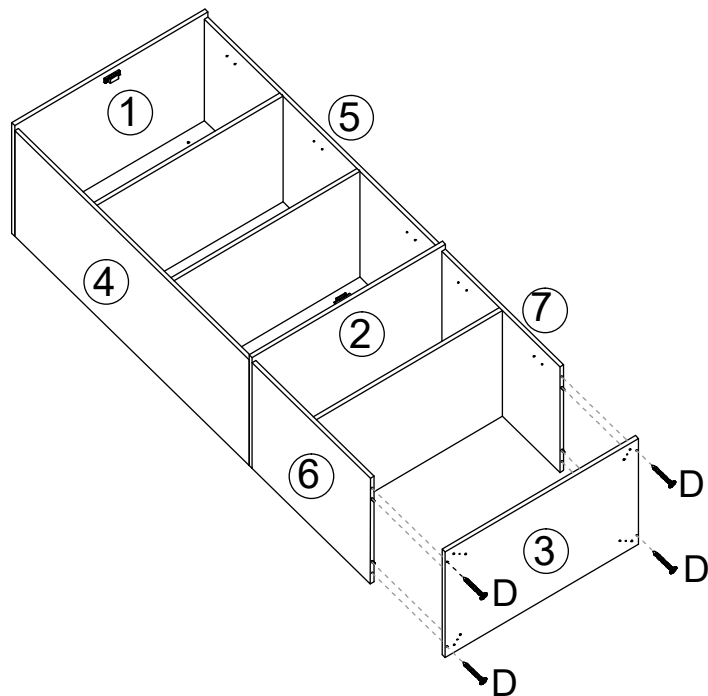
11




K	x4	L	x4
			

4x25mm

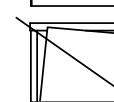
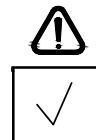
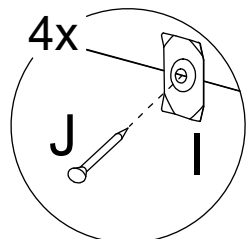
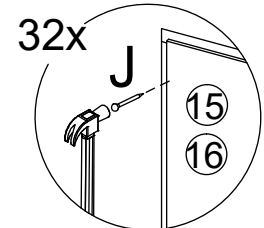
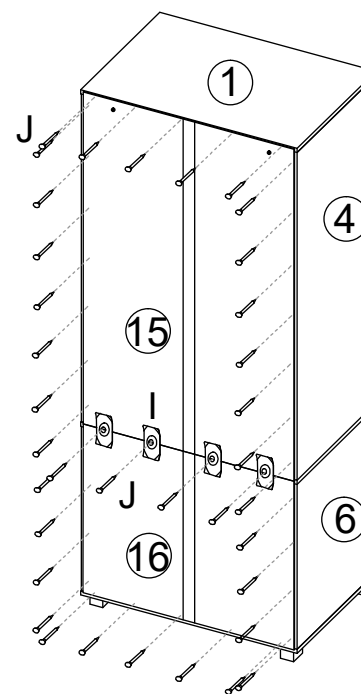
10





D	x4
	

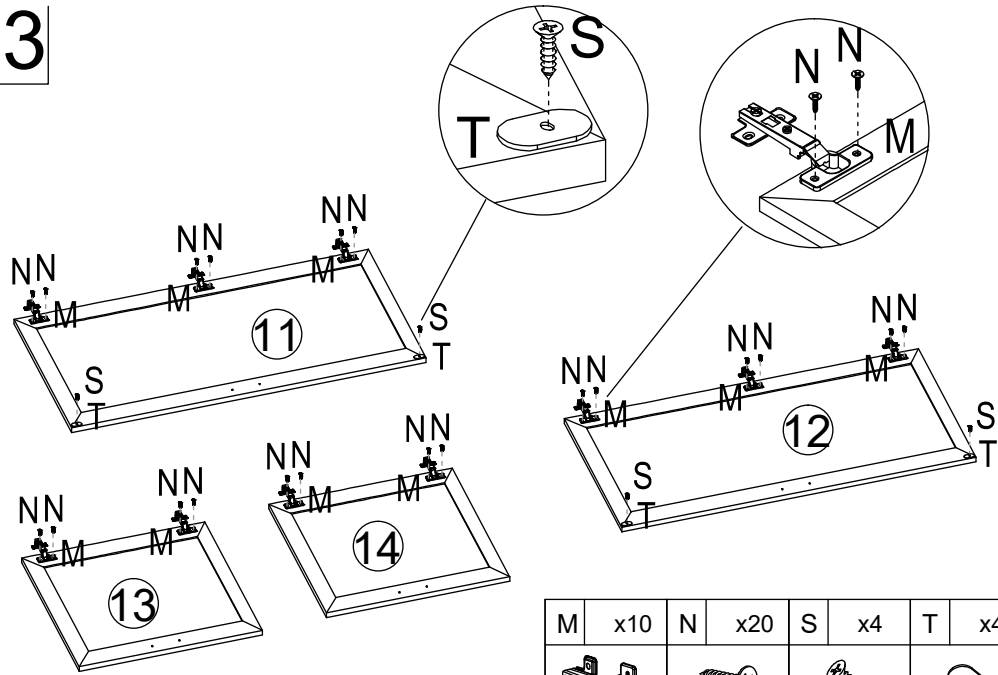
4x40mm

12



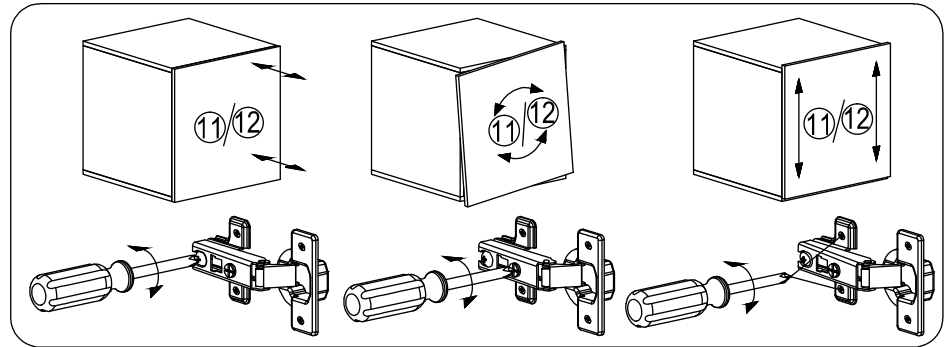
I	x4	J	x36
			

# 13

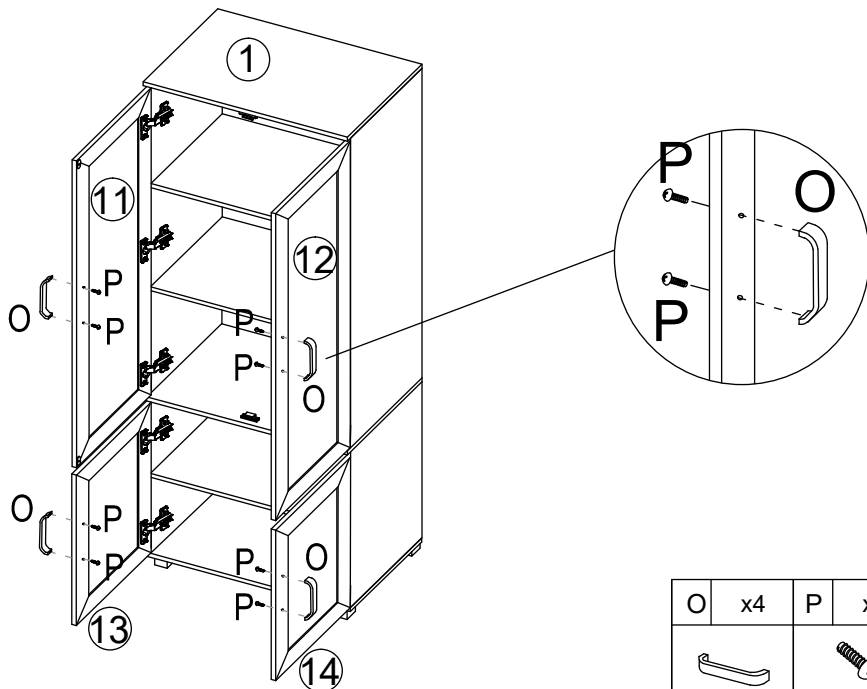


M	x10	N	x20	S	x4	T	x4
			3.5x14mm		3x12mm		

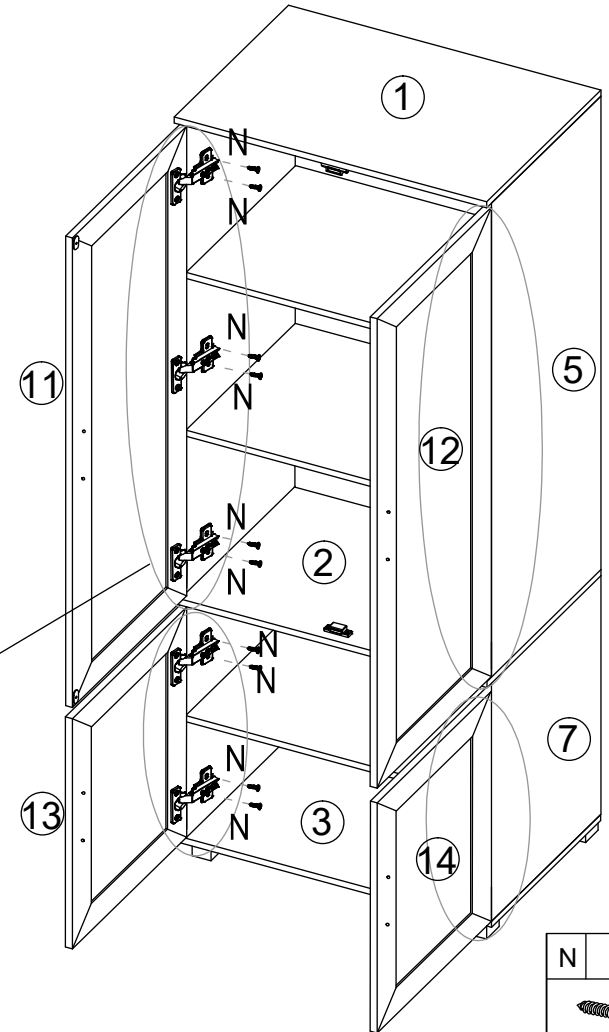
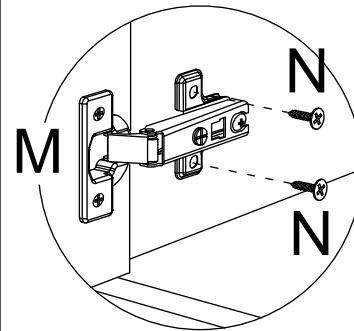
# 14



# 15



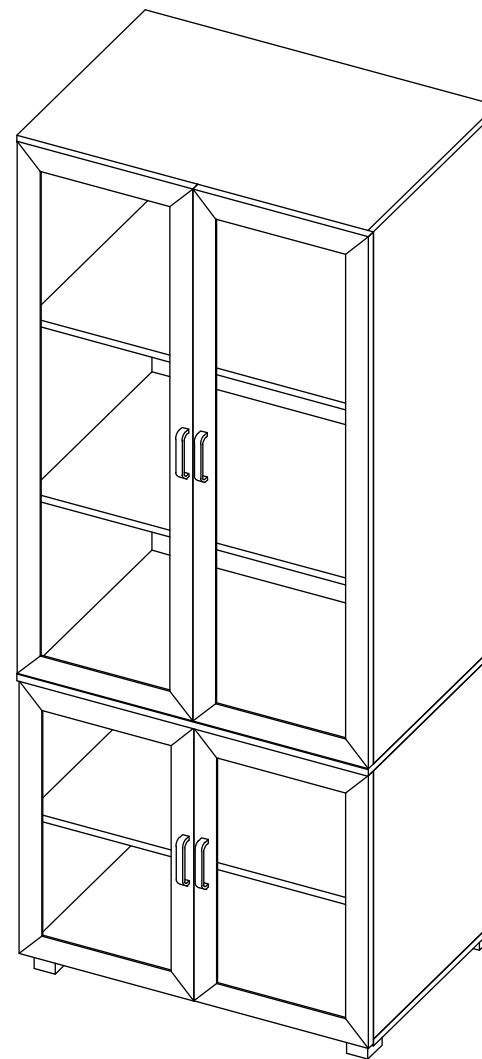
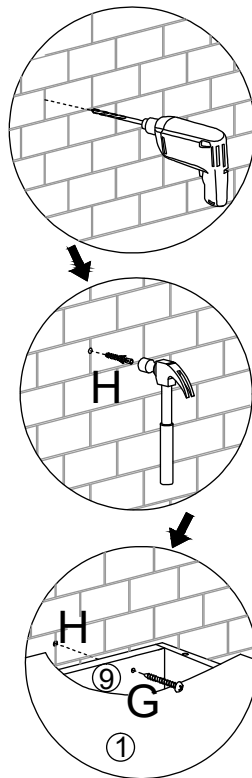
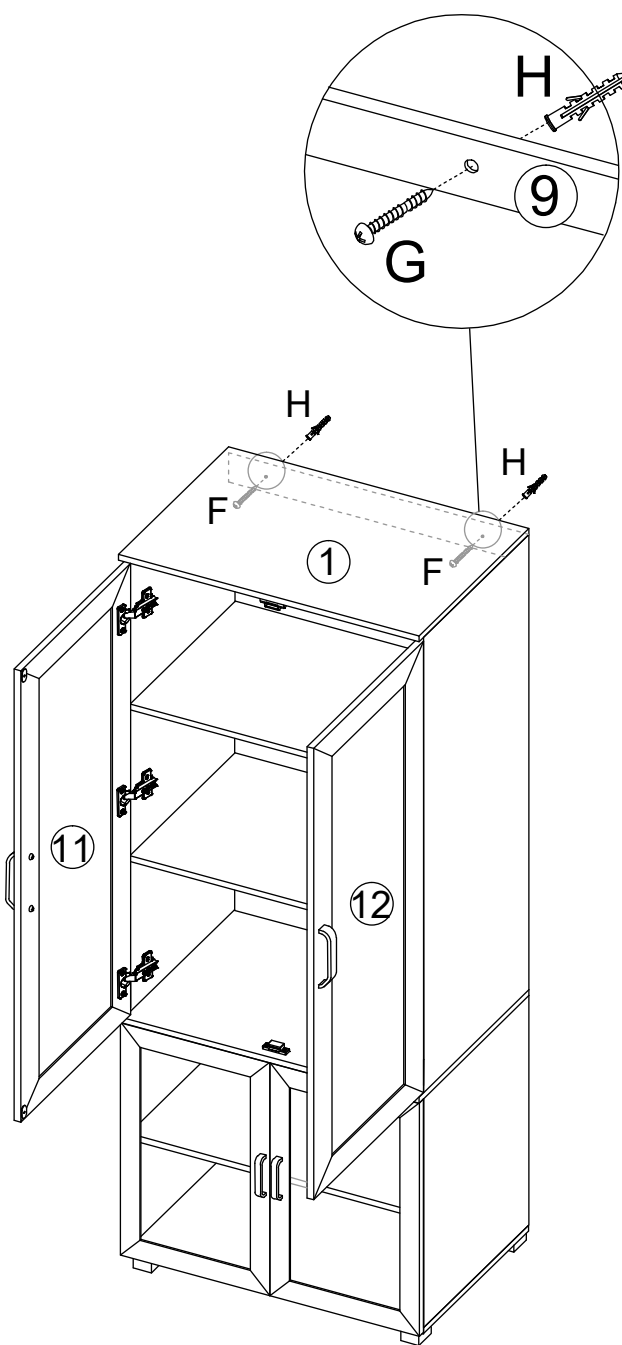
O	x4	P	x8
			4x18mm

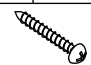



N	x20
	3.5x14mm

16

# Pre-drilled hole at wall



G	x2	H	x2
			
4x30mm			