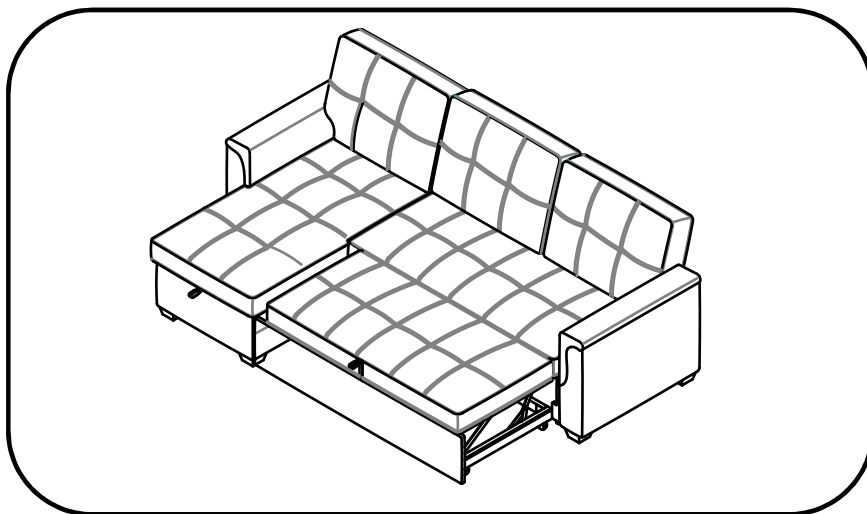




N A O M I
H O M E[®]

Perry Reversible Sleeper Sectional Sofa



Assembly Instructions

Product Dimensions:
84.25"L×54.33"D×33.46"H

Please take a moment to read through the entire instruction booklet before assembly to familiarize yourself with this product. Once you feel ready to start, follow the instructions step by step and this should make this process as easy as we could make it for you.

If you need help or have damaged or missing parts, contact customer service at www.NaomiHome.com.

© 2025 Naomi Home, Inc. - All Rights Reserved.

WARNING CAUTION

ADULT ASSEMBLY REQUIRED

CHOKING HAZARD

- This product includes small parts, sharp points and sharp edges in its unassembled state. Keep unassembled parts away from children under 3 years of age, and animals.

SAFETY WARNINGS

- Follow the information on the warnings appearing on sofa and on the carton. Do not remove warning label from sofa.
- Do not allow children under 3 years of age to use the sofa.
- Do not use substitute parts. Contact the manufacturer or dealer for replacement parts.

FURNITURE TIP-OVER HAZARD

Children have died from furniture tip-over

To reduce the risk of furniture tip-over:

- ALWAYS install tip-over restraint especially if used by a wall or in the open.
- NEVER put a TV on this product
- NEVER allow children to stand, climb or hang on drawers, doors, or shelves.
- NEVER open more than one drawer at a time.
- ALWAYS place heaviest items in lowest sofa.

PARENTAL SUPERVISION IS REQUIRED

- Parents or Guardians should supervise use under the intended age specifically regarding children that may have access to it and climb on the unit.
- Do not allow horseplay on, under, or behind the unit and prohibit jumping on the sofa.
- If used improperly, your table may be pulled over or fall, creating risk of injury or damage. Children should not be permitted to climb or pull on the sofa.

USE, MAINTENANCE & ASSEMBLY

- Periodically check and ensure that the components are in their proper position, free from damage, and that all connectors are tight.
- Use on level surfaces only. Assemble on a soft level surface to avoid damage to unit or floor.
- Do not use this item if any components are missing or damaged.
- Do not use substitute parts. Contact the manufacturer or dealer for replacement parts.
- Only clean using damp cloth and mild detergent, do not use bleach or abrasive cleaners.
- Check you have all components and tools listed on page 4
- Do not stand or put weight on this product during assembly, this could cause damage.
- Remove all hardware from the plastic bags and separate them into groups.
- Assemble the item as close to its final position (in the same room) as possible.
- Certain assembly steps may be easier with 2 people.
- Dispose of all packaging carefully and responsibly.
- We do not recommend power screwdrivers. Only use hand screwdrivers to prevent damage to unit.
- Keep these instructions for future reference.

Enfants morts suite au basculement d'un meuble.

Afin de limiter le risque de basculement de meuble:

- TOUJOURS utiliser les fixations anti-basculement.
- NE JAMAIS installer de TV sur ce produit.
- NE JAMAIS laisser d'enfants se tenir debout sur les tiroirs, portes ou etageres, y grimper ou s'y suspendre.
- NE JAMAIS ouvrir plus d'un tiroir a la fois.
- TOUJOURS placer les choses les plus lourdes dans les tiroirs du bas.

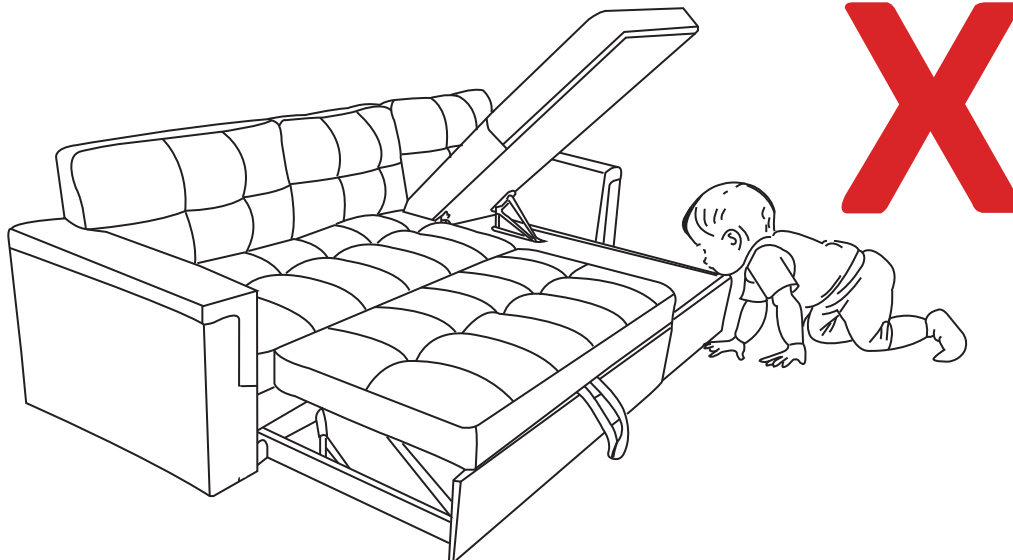
Han muerto ninos por el vuelco de muebles.

Para limitar el riesgo de vuelco de los muebles:

- Utilisar SIEMPRE las fijaciones antivuelco que suministran.
- NUNCA instalar un TV sobre este producto.
- NUNCA permitir que los ninos se pongan de pie, trepen o se cuelguen de los cajones, puertas o baldas.
- NUNCA abrir mas de un cajon a la vez.
- Colocar los objetos mas pesados en los cajones inferiores.



WARNING –CHILD CRUSH HAZARD
DO NOT ALLOW CHILD TO PLAY ON
AROUND OR UNDER FOOTREST or BACKREST.



AMPUTATION HAZARD

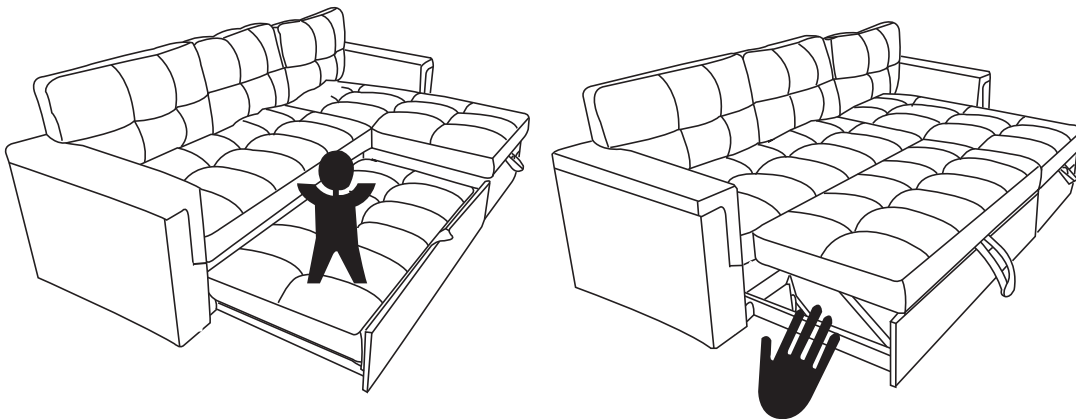
Moving parts can amputate child's fingers. Keep fingers away from moving parts. Completely unfold chair and fully engage. Before allowing child to sit in chair. Never allow child to operate chair.



TIP-OVER HAZARD

To prevent tip-over: Do Not Stand on the sofa recliner unit or the arms. This Motion Reclining Sofa is not a toy.

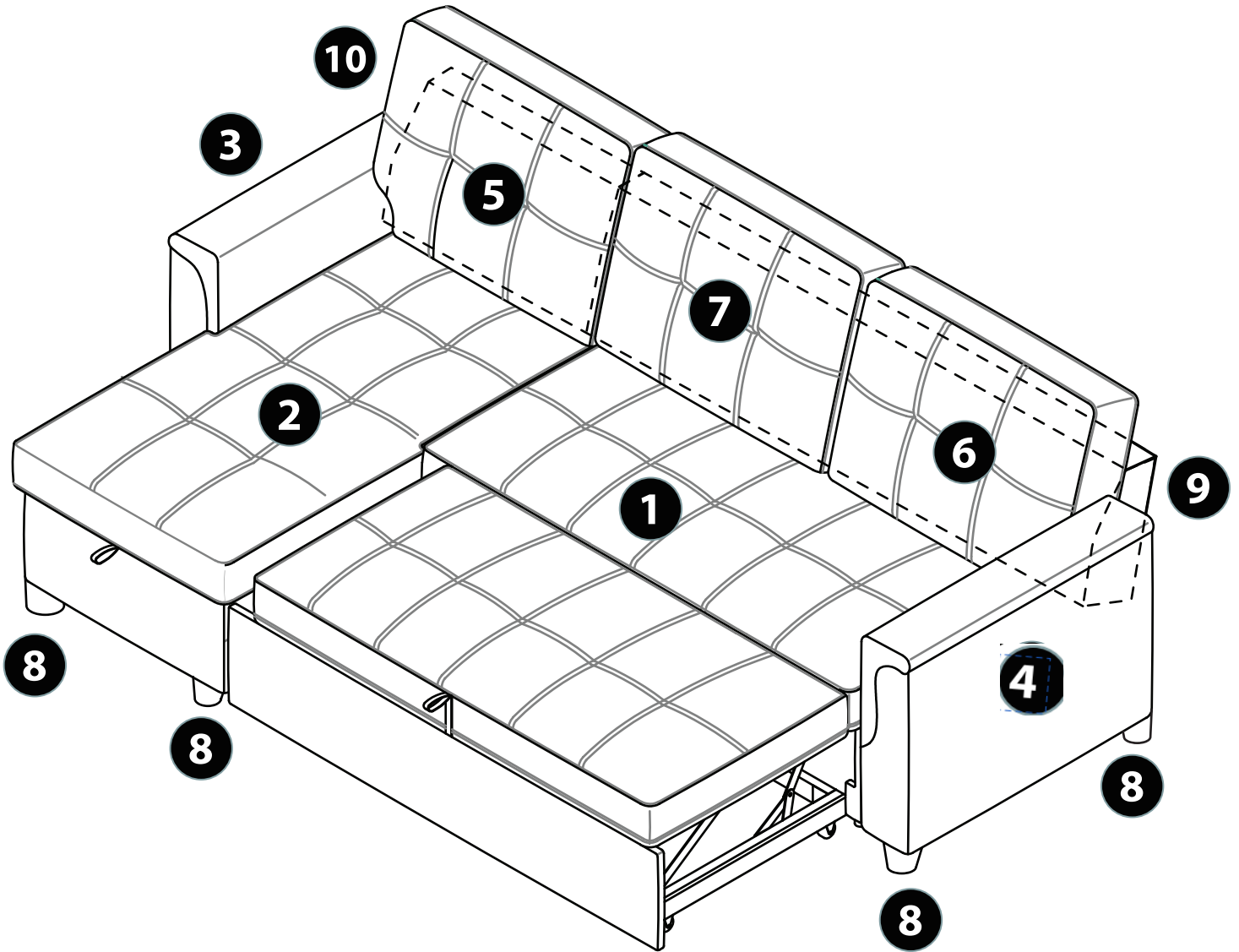
Warning



Do not allow children to play on the Recliner.
Always leave the Recliner in an upright and closed position after use.
Keep hands and feet clear of the footrest mechanism and any gaps .
Don't sit on the armrests of Recliner.

ASSEMBLY AT A GLANCE

Please take a moment to read through the whole instruction booklet before assembly to familiarize yourself with this product. Once you feel ready to start, follow the instructions step by step and this should make this process as easy as we could make it for you.

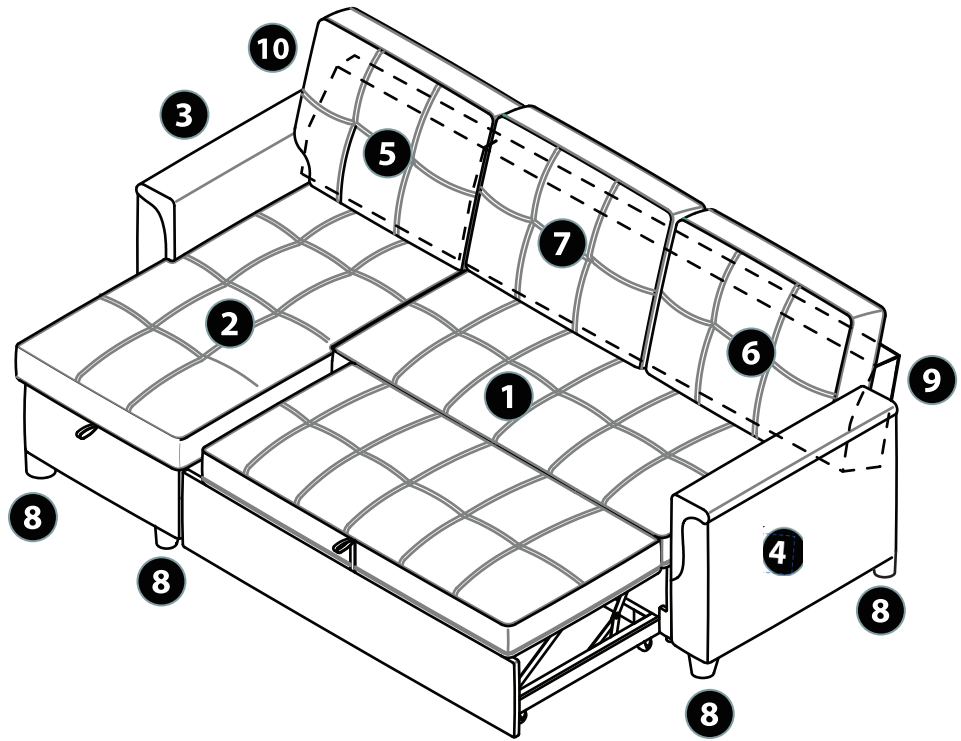


This drawing is to give you an overall idea only of how this assembly will go together and does not replace the assembly instructions.

COMPONENT PARTS

Please check that you have all the parts listed below

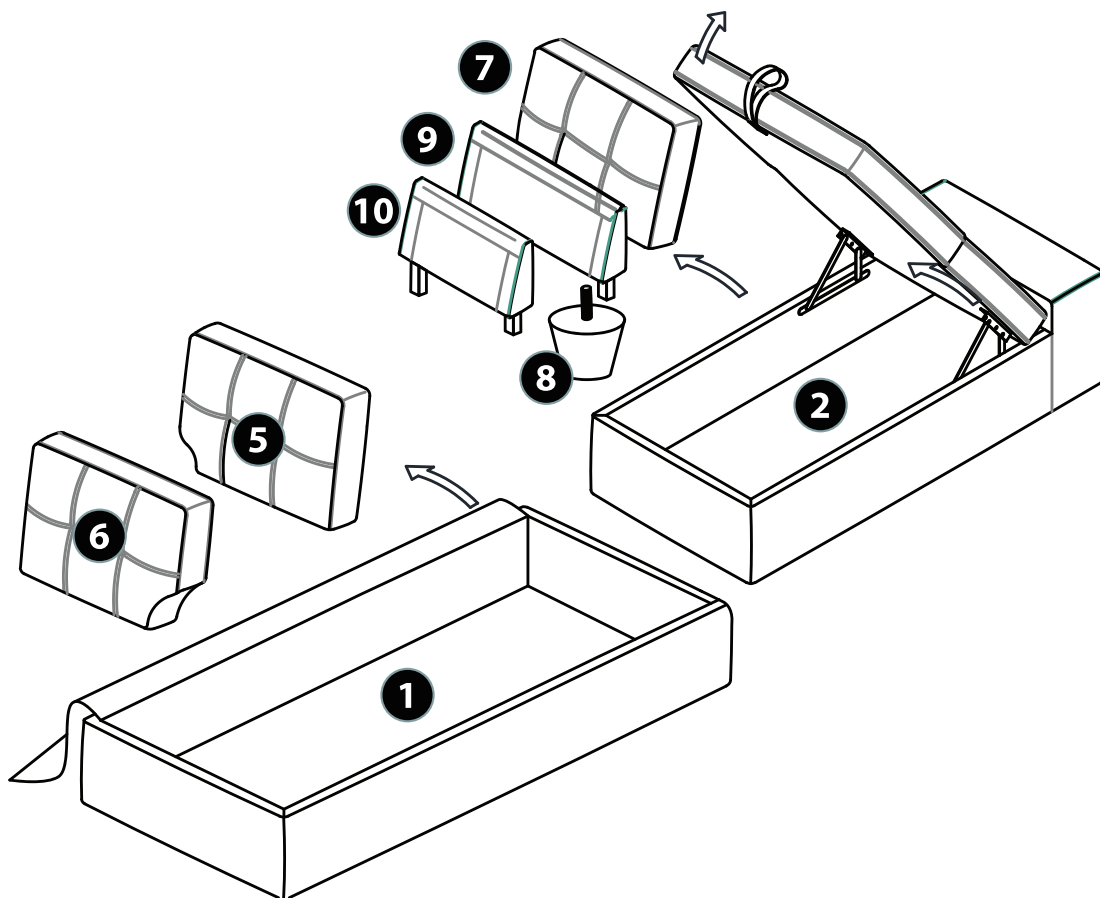
- 1. Frame ×1
- 2. Chaise Frame ×1
- 3. Left Arm ×1
- 4. Right Arm ×1
- 5. Left Back Cushion ×1
- 6. Right Back Cushion ×1
- 7. Middle Back Cushion ×1
- 8. Leg ×12
- 9. Back ×1
- 10. Back ×1



ASSEMBLY INSTRUCTIONS

1

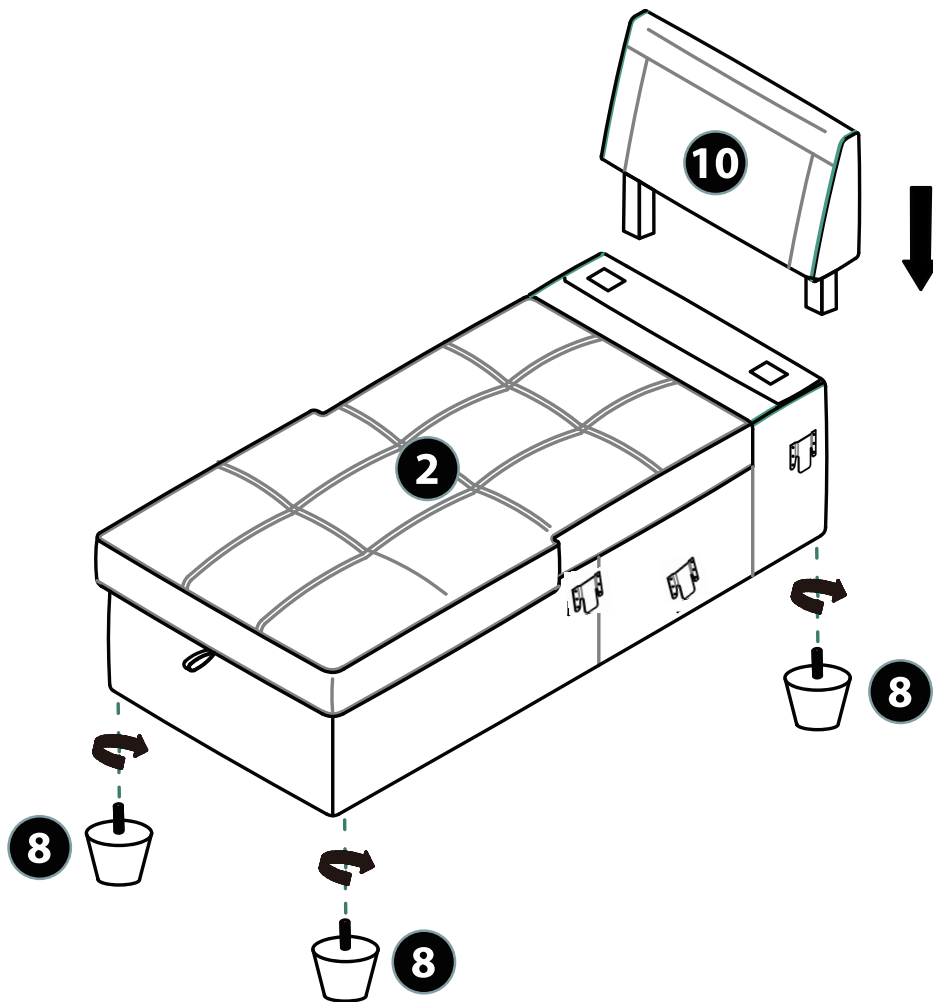
Open up the sofa cover of 2,
take 7×1, 8×8, 9×1, 10×1 out.
Take 5×1, 6×1 out of 1.



ASSEMBLY INSTRUCTIONS

2

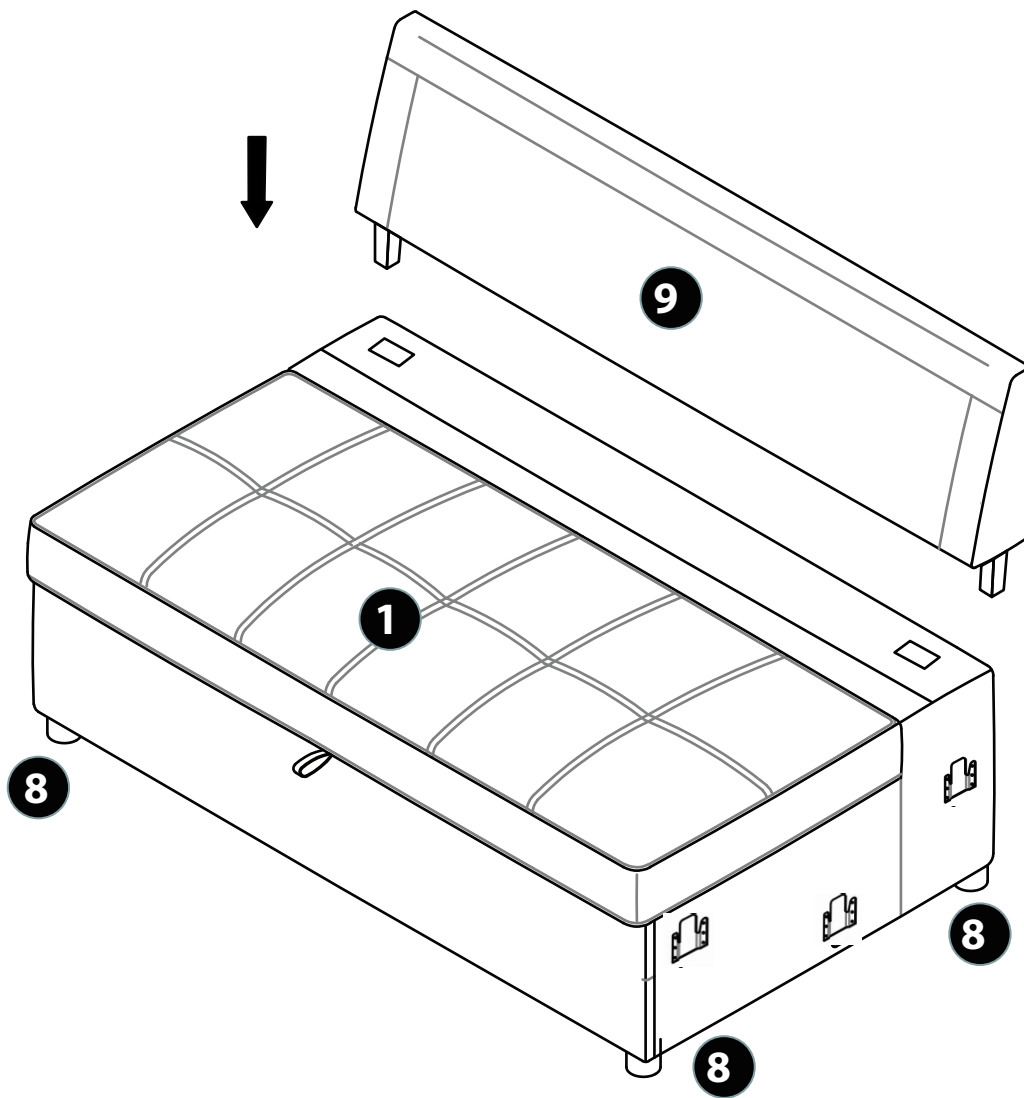
Install 10 into top of 2. Insert
8 × 4 into the bottom of 2.



ASSEMBLY INSTRUCTIONS

3

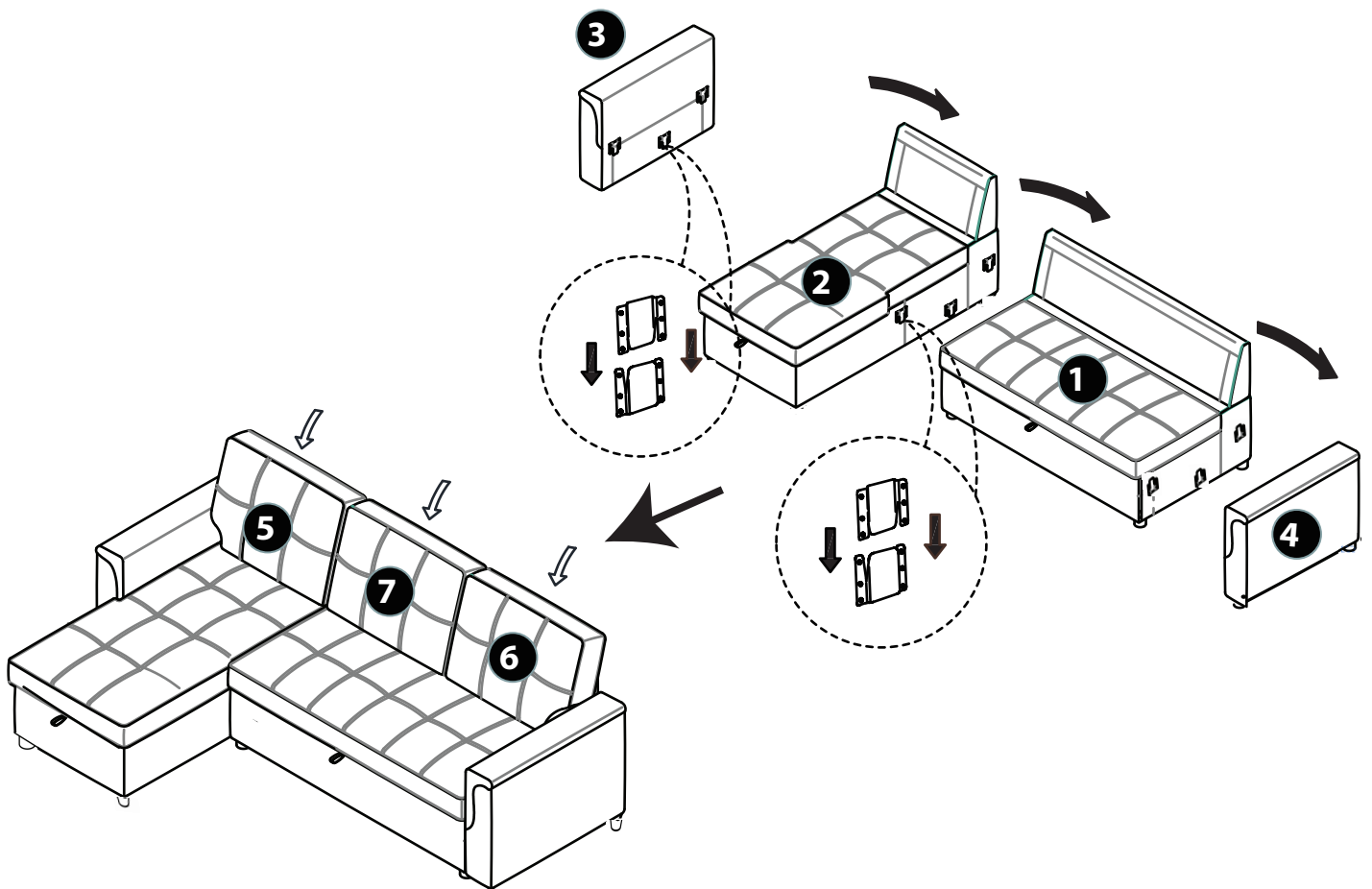
Install 9 into 1. Insert 8x4 into the bottom of the 1 tightly.



ASSEMBLY INSTRUCTIONS

4

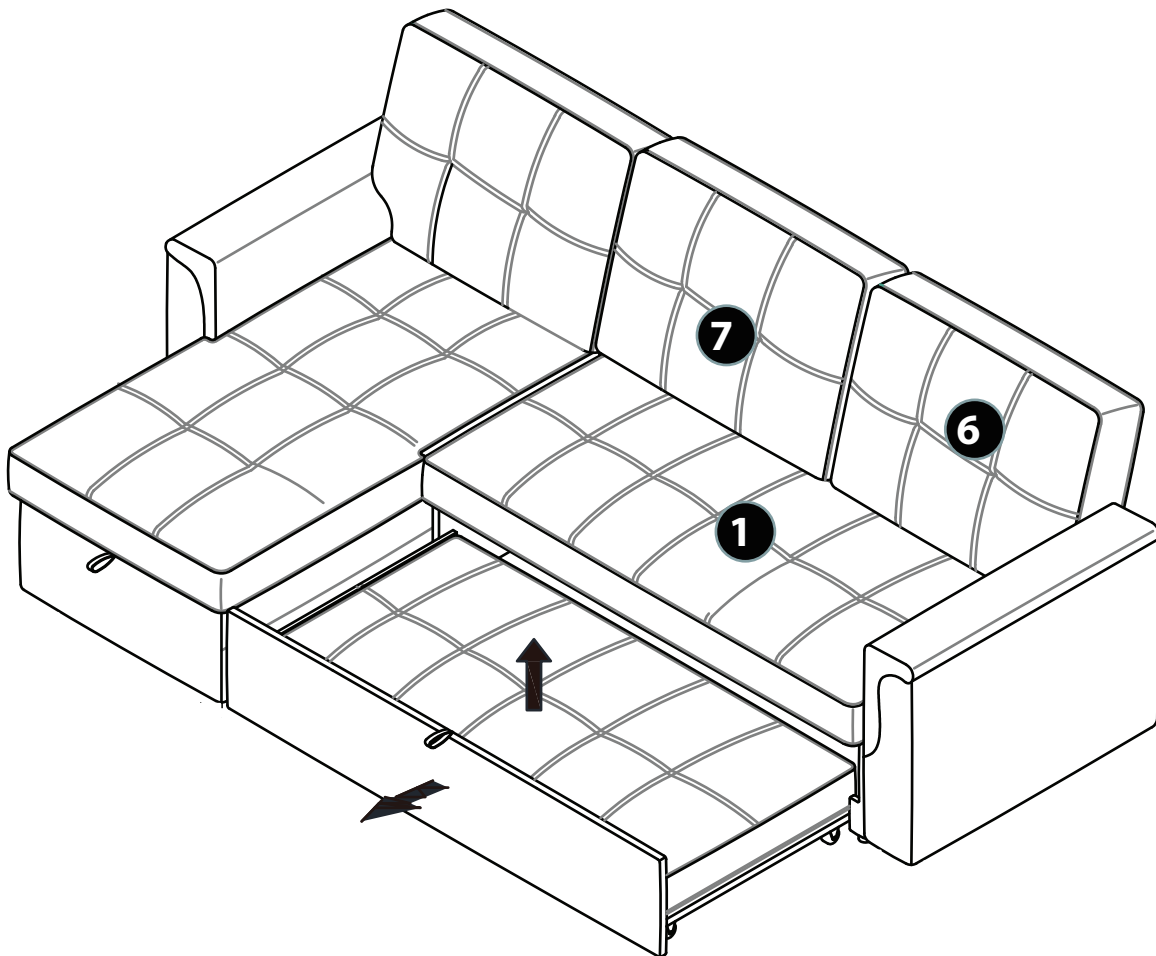
Insert the 3 into the 2 into
the 1 into the 4 . Put the 5,6,7
on the sofa.



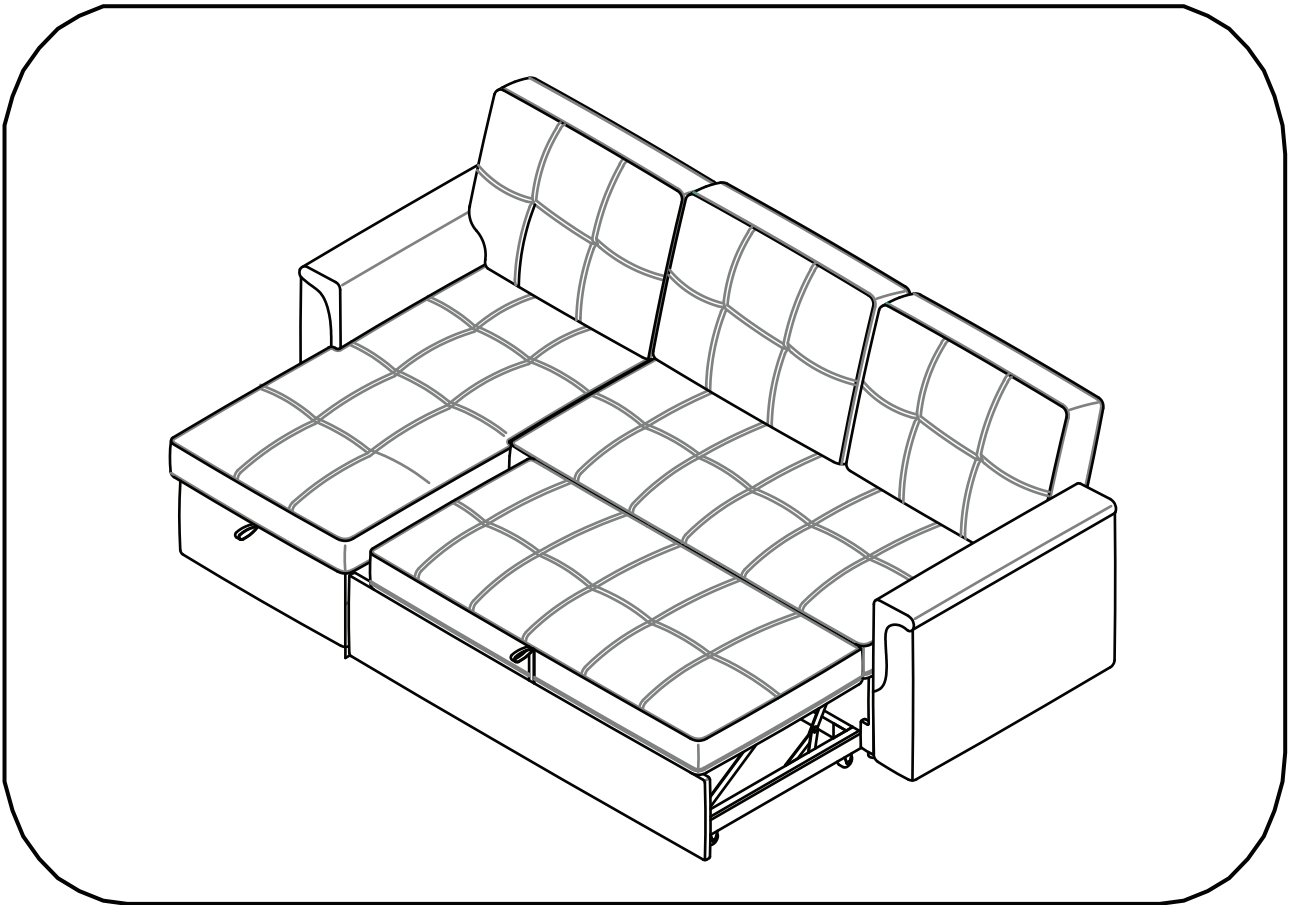
ASSEMBLY INSTRUCTIONS

5

Pull out the cushion at the bottom of 1 to lay down as a bed.



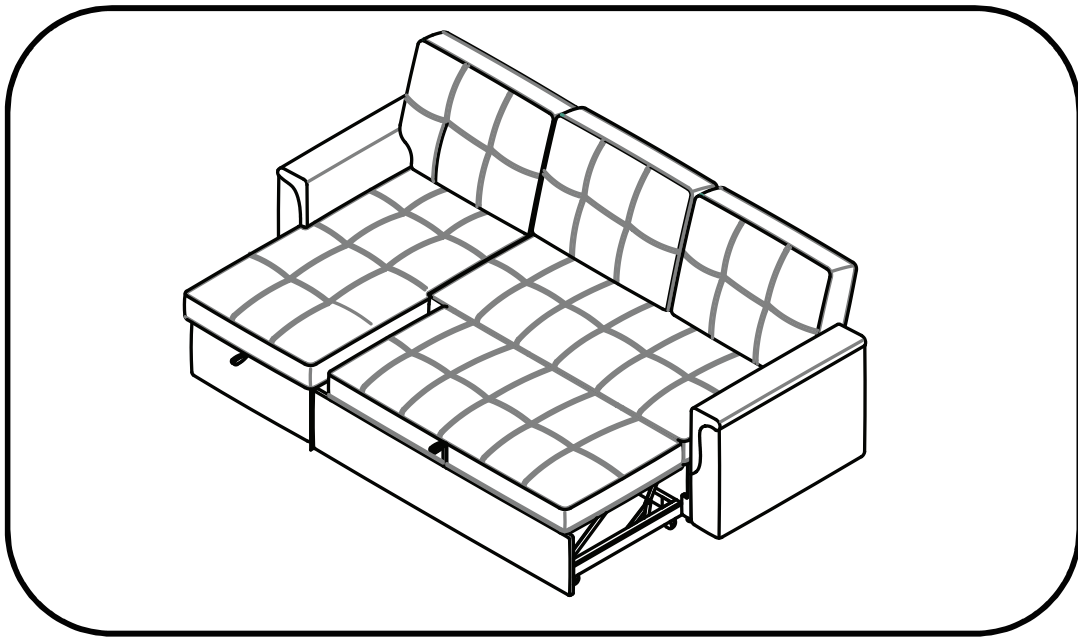
ASSEMBLY COMPLETE



**CONGRATULATIONS, YOUR NAOMI HOME PERRY
REVERSIBLE SLEEPER SECTIONAL SOFA IS COMPLETE!**



NAOMI
HOME®



NAOMI
KIDS

www.NaomiHome.com
MADE IN CHINA

Product Packaging Information

Model #: _____

Color: _____

Shipment Ref. #: _____

Date: _____