

• Component	Quantity
	Main bow tube 2
	Front bow tube 2
	Crossbar 3-bow ~ 3 4-bow ~ 4
	Canopy 1
	Thumb Screw 4
	Deck Mount 4
	Bolt 6
	Lock Nut 10
	Front adjustable strap 2
	Stainless Steel Saddle 2
	Self Tapping Screw 12 + 2 (spare part)
	Canopy cover 1
	Rear support pole 2
	Screwdriver 1
	Spring clip 1 (spare part)

BOAT BIMINI KIT

*4-bow bimini kit



PLEASE NOTE:

Bimini must be folded down and secured using canopy cover while towing. Use canopy cover when Bimini is not in use to extend fabric life.

RETURN / DAMAGE CLAIM INSTRUCTIONS

1. DO NOT discard of the box / original packaging.

In case a return is required, the item must be returned in original box. Without this your return will not be accepted.

2. Take a photo of the box markings.

A photo of the markings (text) on the box is required in case a part is needed for replacement. This helps our staff identify your product number to ensure you receive the correct parts.

3. Take a photo / Video of Damage (if applicable).

A photo / Video of the damage is always required to file a claim and get your replacement or refund processed quickly. Please make sure you have the box even if it is damaged.

4. Send us an email with the images requested.

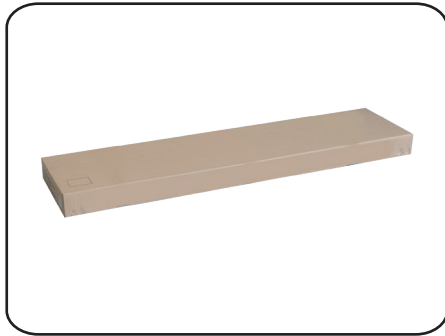
Email us directly with the attached images, order number (SOXXXX) and a description of your claim.

Auckland / Waikato / BOP Branch: sales@tsbliving.co.nz

Christchurch Branch: customersupport@tsbliving.co.nz

Wellington Branch: wellington@tsbliving.co.nz

ASSEMBLY INSTRUCTIONS FOR BOAT BIMINI KIT



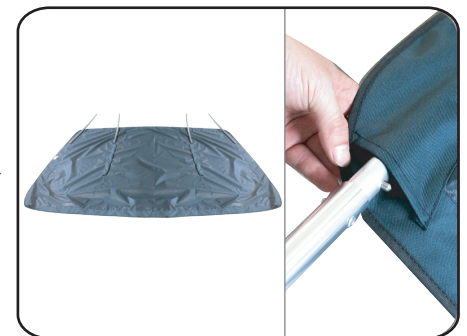
1. Open bimini box carefully



2. Take out full set bimini parts



3. Assemble front bow tube onto main bow tube with bolt and lock nut.



4. Lay fabric flat upside-down. Insert the crossbars into the fabric sleeves.



5&6. Fit front bow tube and main bow tube onto crossbar by spring clip, then slide into the fabric sleeve.

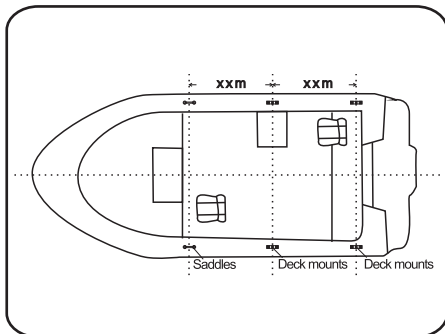
Note: The front bow tube should be in front sleeve of canopy.



7. Assemble the front adjustable strap onto front bow tube with bolt and lock nut.



8. Assemble the rear support pole onto main bow tube with bolt and lock nut.



9. Measure and confirm the marks for the deck mounts and saddles.



10. Drill and secure the deck mounts and saddles with self tapping screws.



11. Assembly main bow tube and rear support pole onto deck mount with thumb screws and nuts. Attached the hook of the front adjustable strap onto saddle.



12. Open the bimini top and tighten the front adjustable strap to complete your bimini.