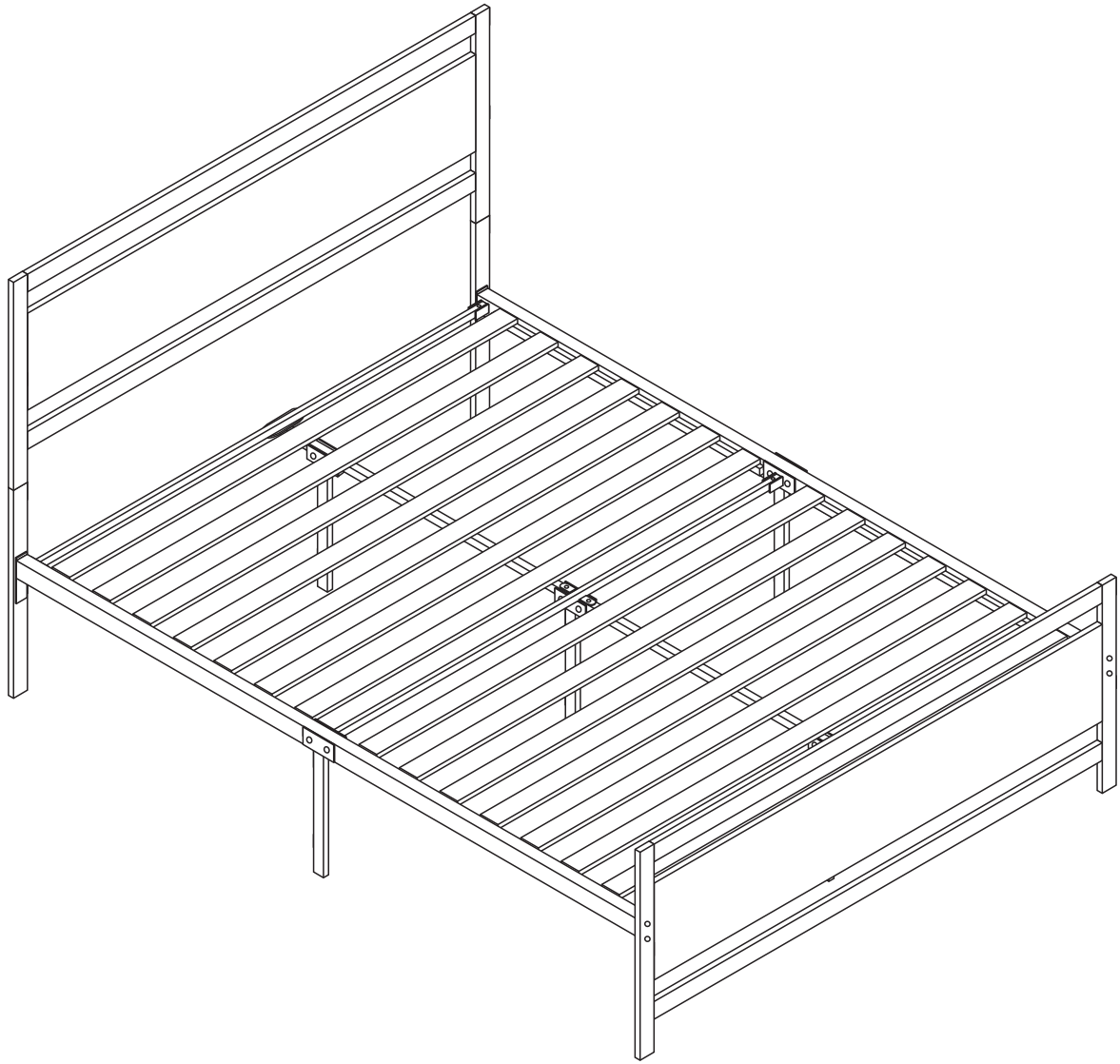


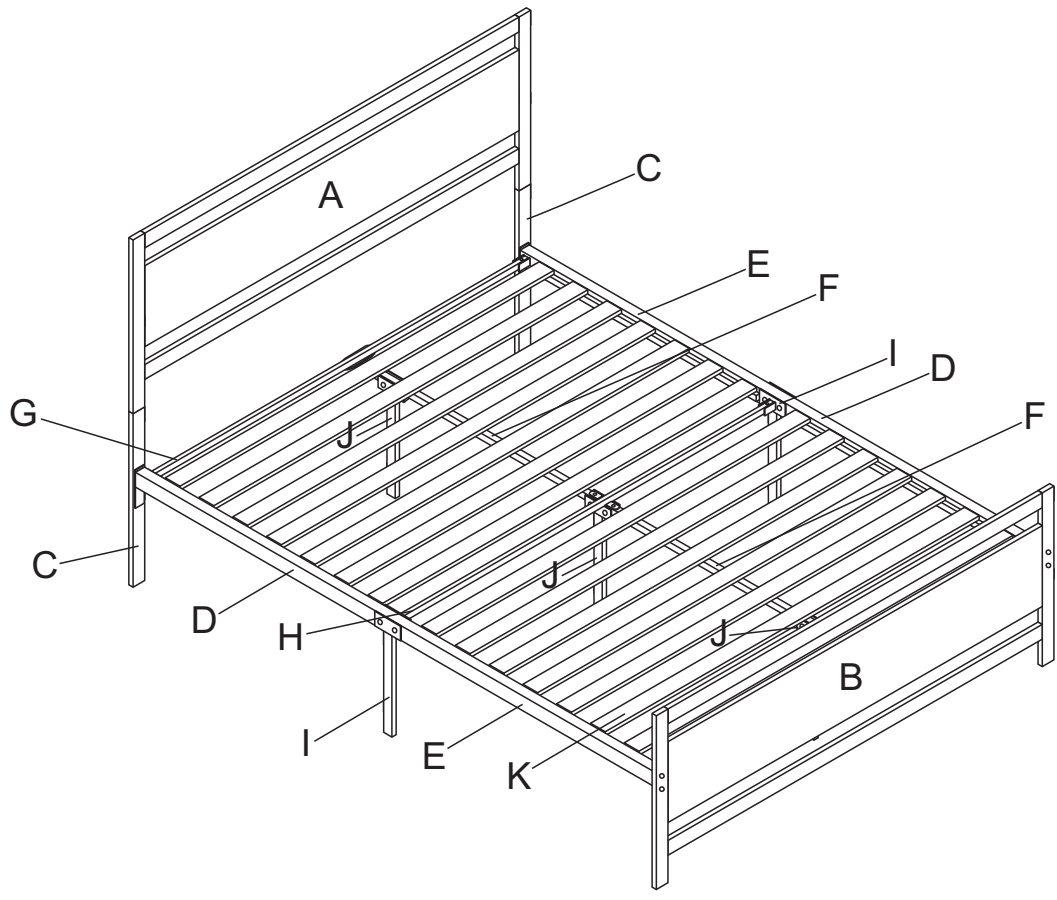
ASSEMBLY INSTRUCTION



THANK YOU FOR PURCHASING BED

PARTS LIST

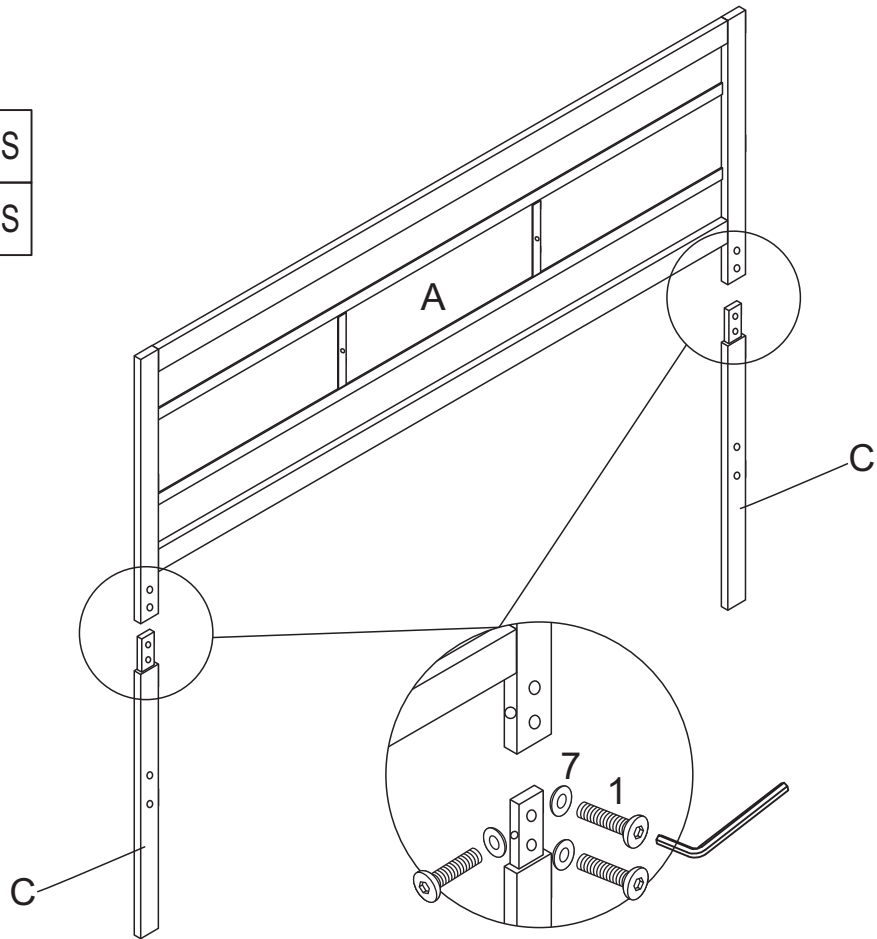
Notice: Do not tighten the screws too tightly at the beginning of the assembly. After each hole position is matched well, with gently force to screw, if there is no problem, then tighten all the screws.



A	1PC	B	1PC	C	2PCS	D	2PCS	E	2PCS	F	2PCS	
G	2PCS	H	1PC	I	2PCS	J	3PCS	K	14PCS			
1	M8x16 6PCS	2	M8x40 12PCS	3	M6x25 10PCS	4	M6x35 6PCS	5	M8 8PCS	6	M6 4PCS	
7	14PCS	8	1PC	9	1PC	10	1PC					

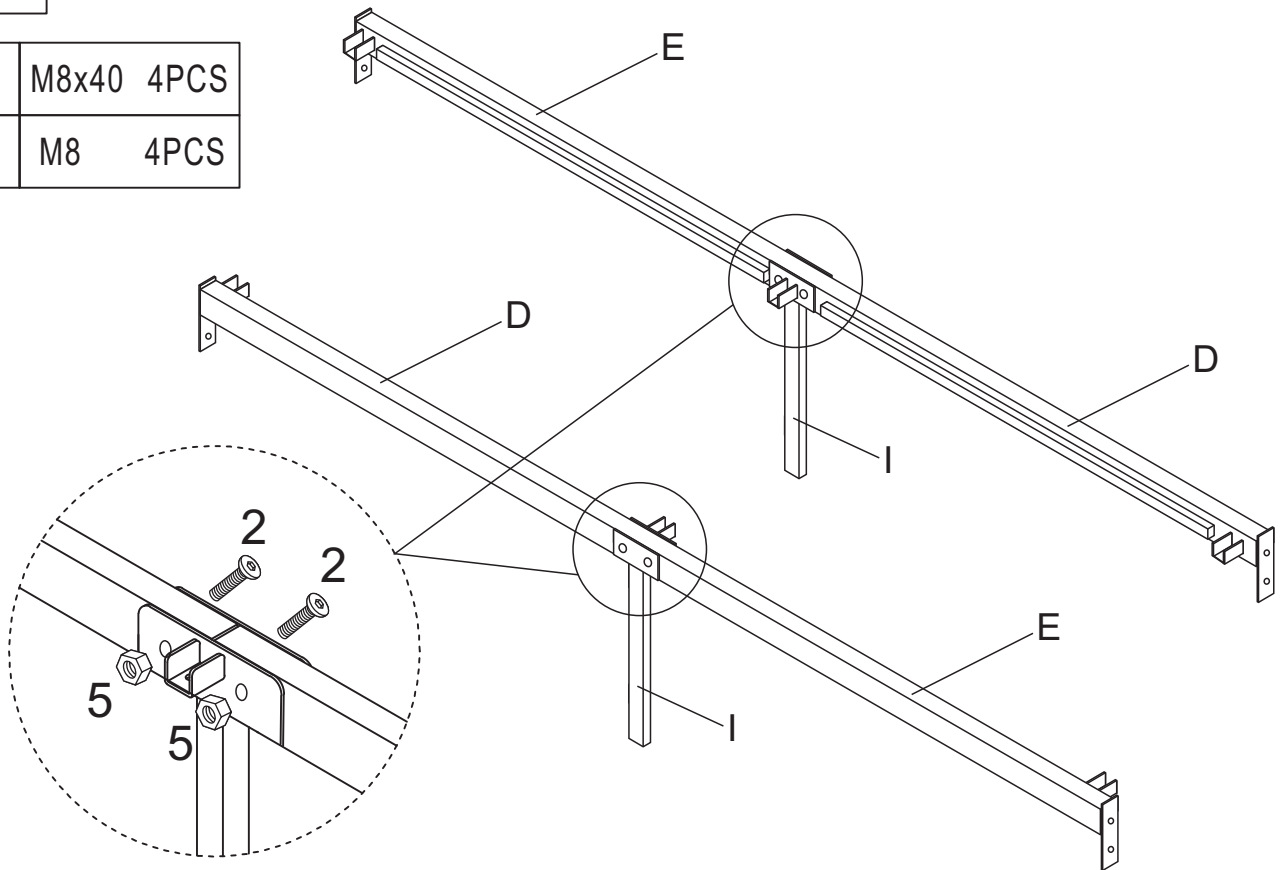
1

1	M8x16 6PCS
7	6PCS



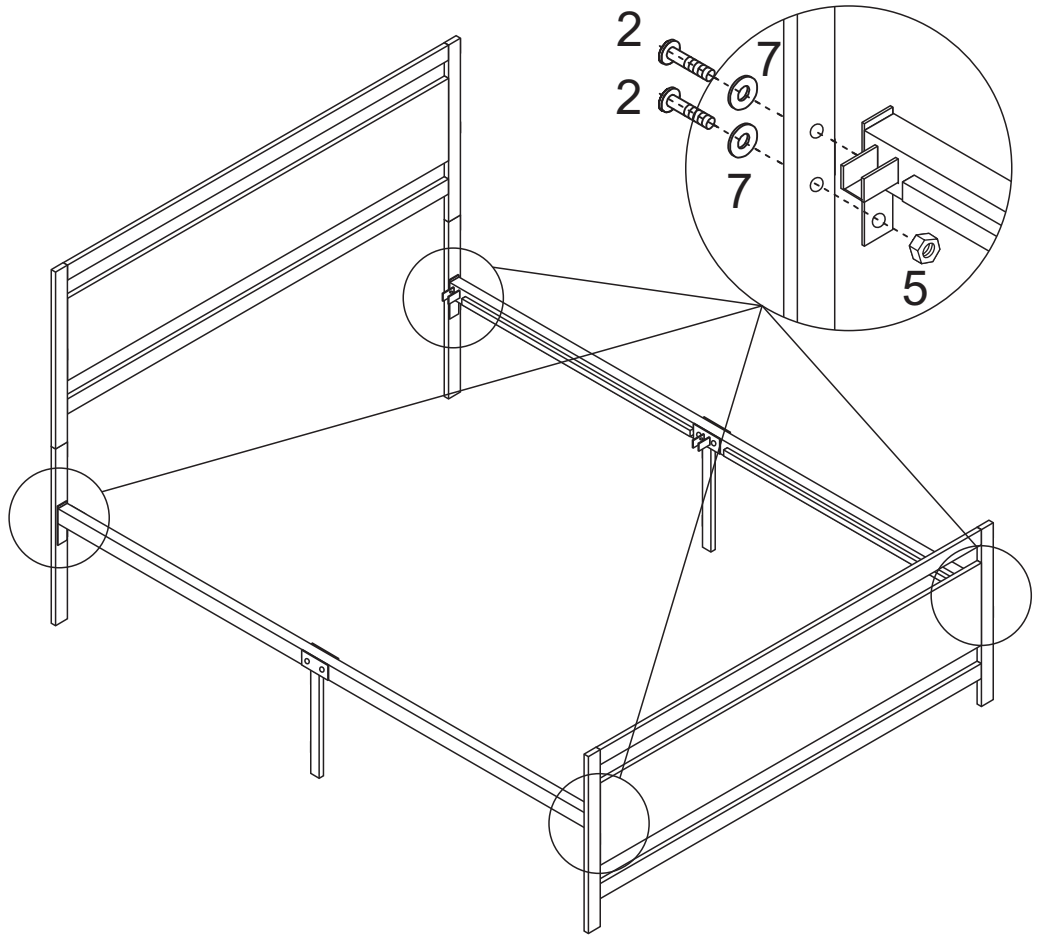
2

2	M8x40 4PCS
5	M8 4PCS



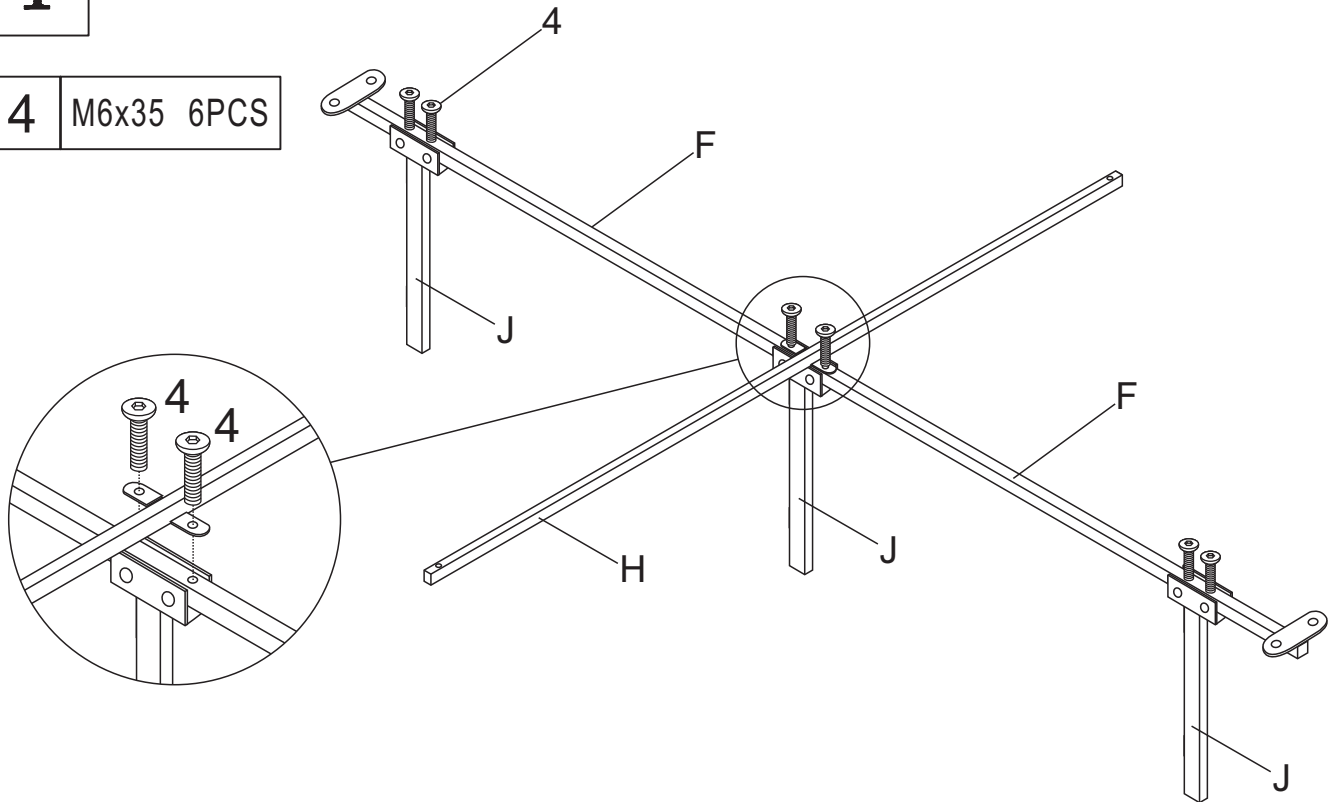
3

2	M8x40	8PCS
5	M8	4PCS
7		8PCS



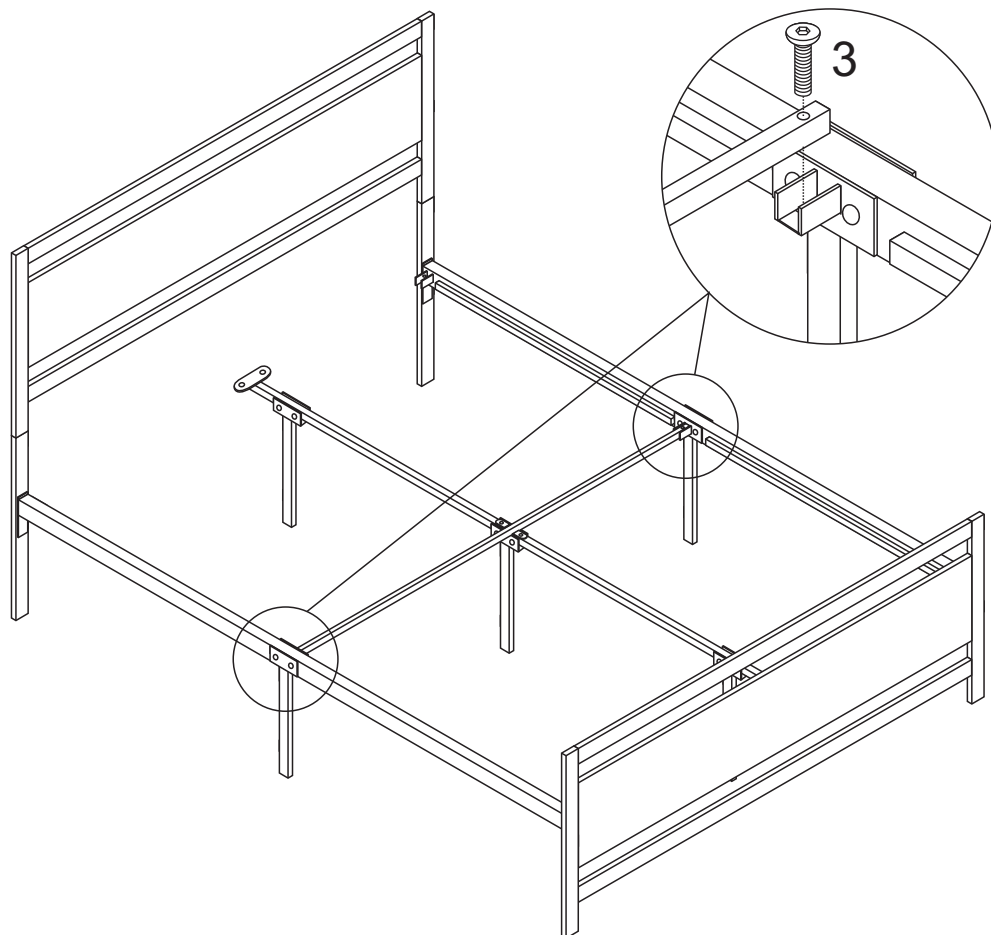
4

4	M6x35	6PCS
---	-------	------



5

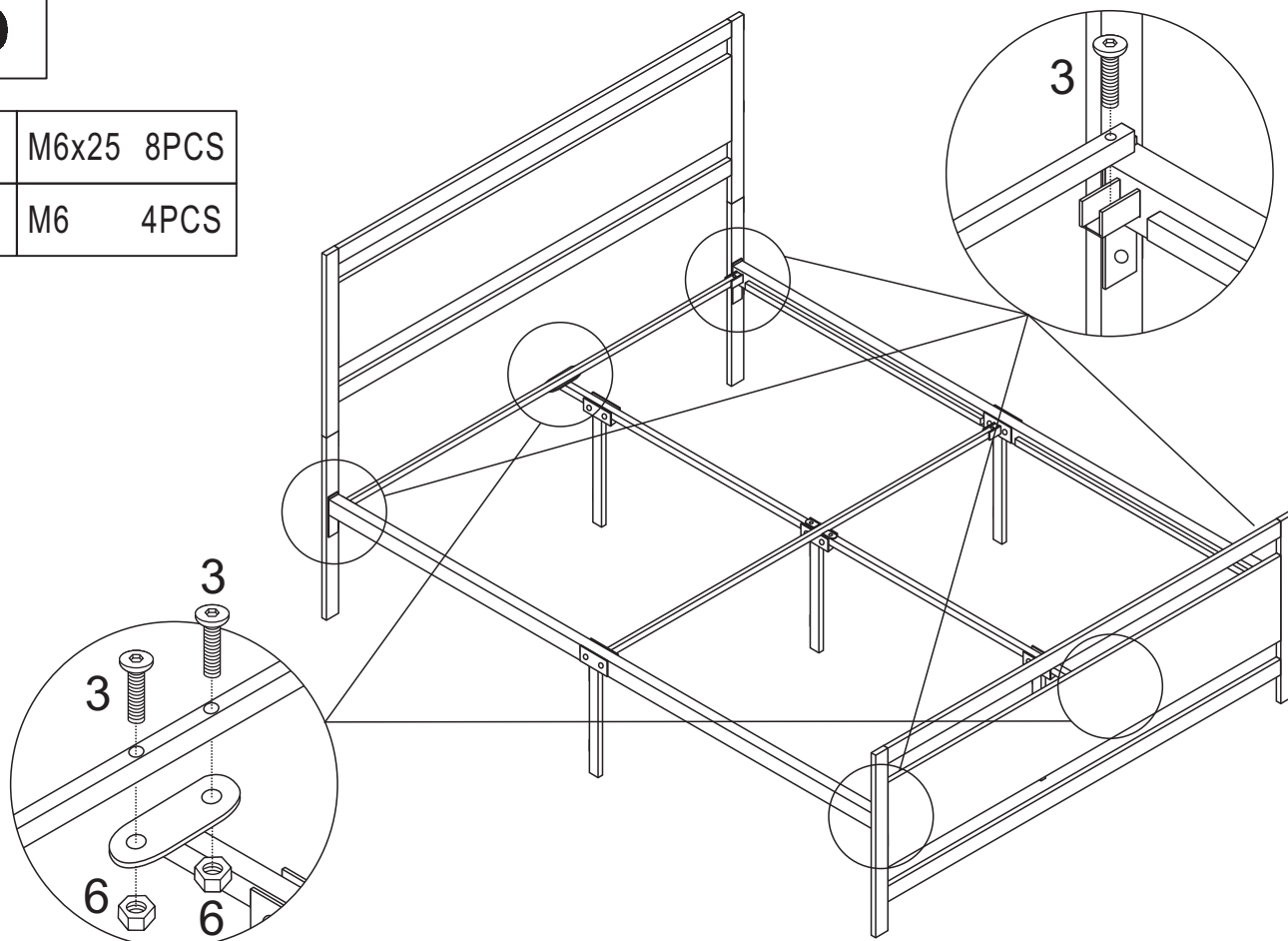
3 M6x25 2PCS



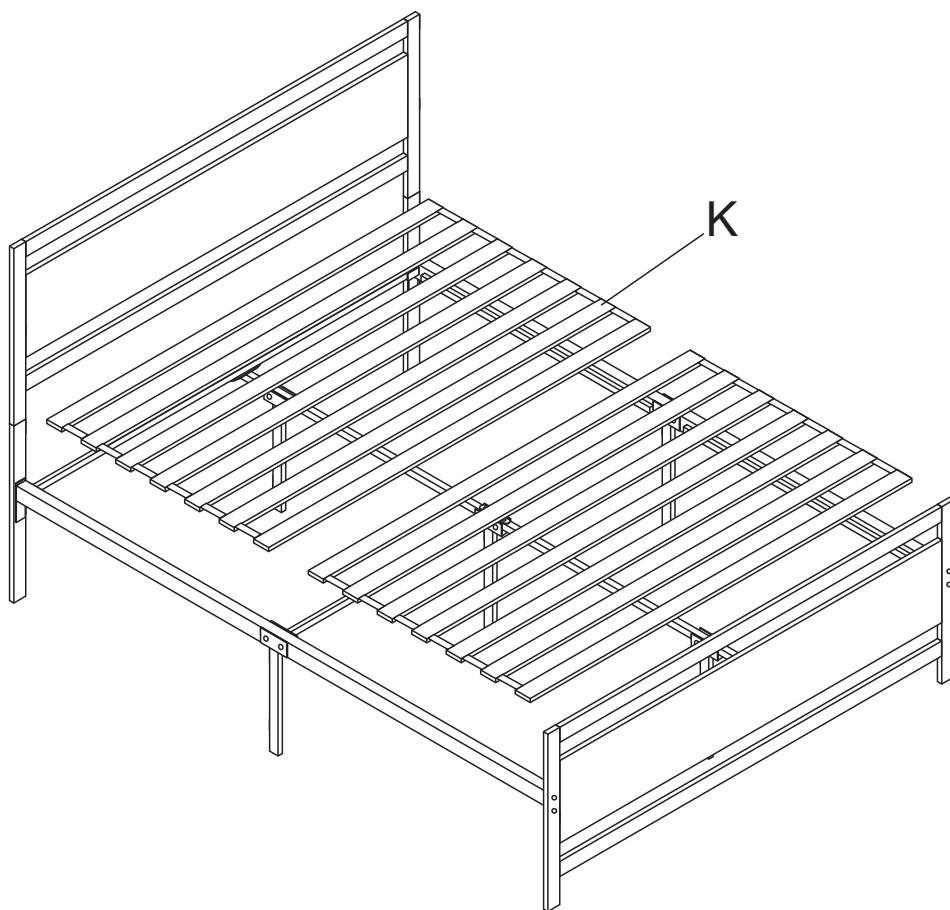
6

3 M6x25 8PCS

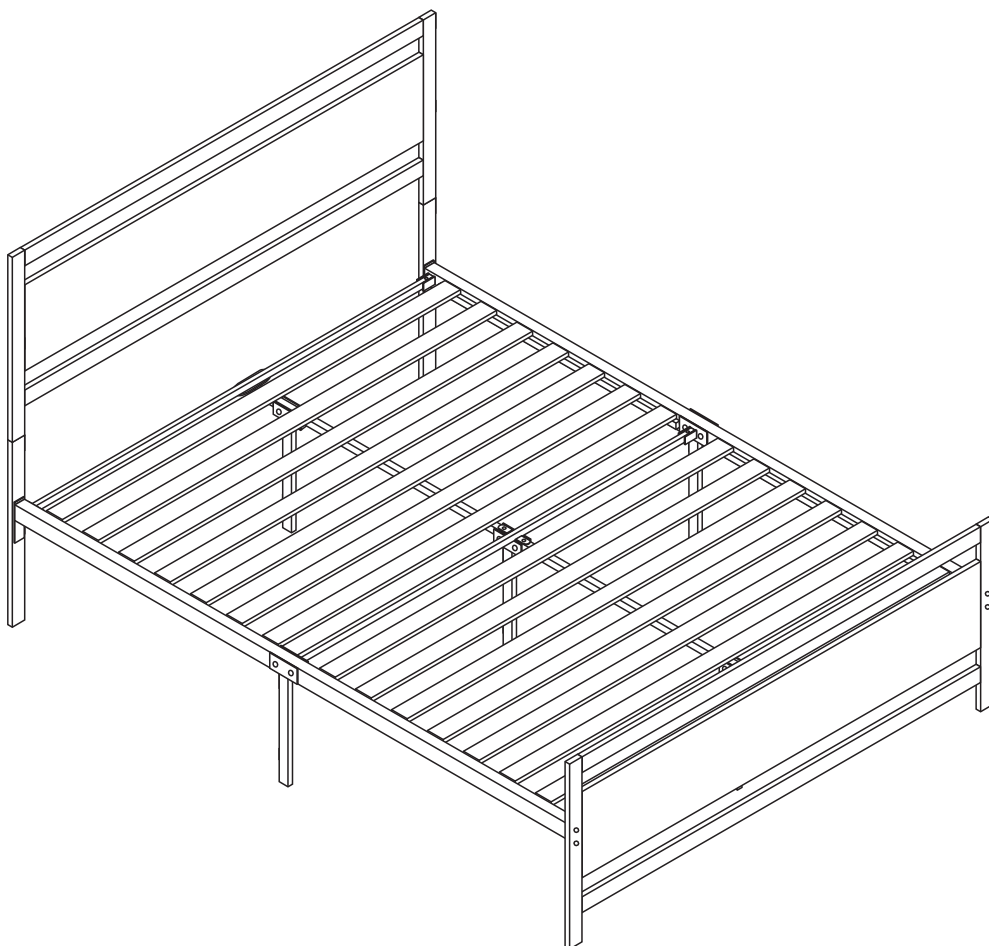
6 M6 4PCS



7



8



RETURN / DAMAGE CLAIM INSTRUCTIONS

1. **DO NOT** discard of the box / original packaging.

In case a return is required, the item must be returned in original box. Without this your return will not be accepted.

2. Take a photo of the box markings.

A photo of the markings (text) on the box is required in case a part is needed for replacement. This helps our staff identify your product number to ensure you receive the correct parts.

3. Take a photo / Video of Damage (if applicable).

A photo /Video of the damage is always required to file a claim and get your replacement or refund processed quickly. Please make sure you have the box even if it is damaged.

4. Send us an email with the images requested.

Email us directly with the attached images, order number (SOXXXX) and a description of your claim.

Auckland / Waikato / BOP Branch: sales@tsbliving.co.nz

Christchurch Branch: customersupport@tsbliving.co.nz

Wellington Branch: wellington@tsbliving.co.nz