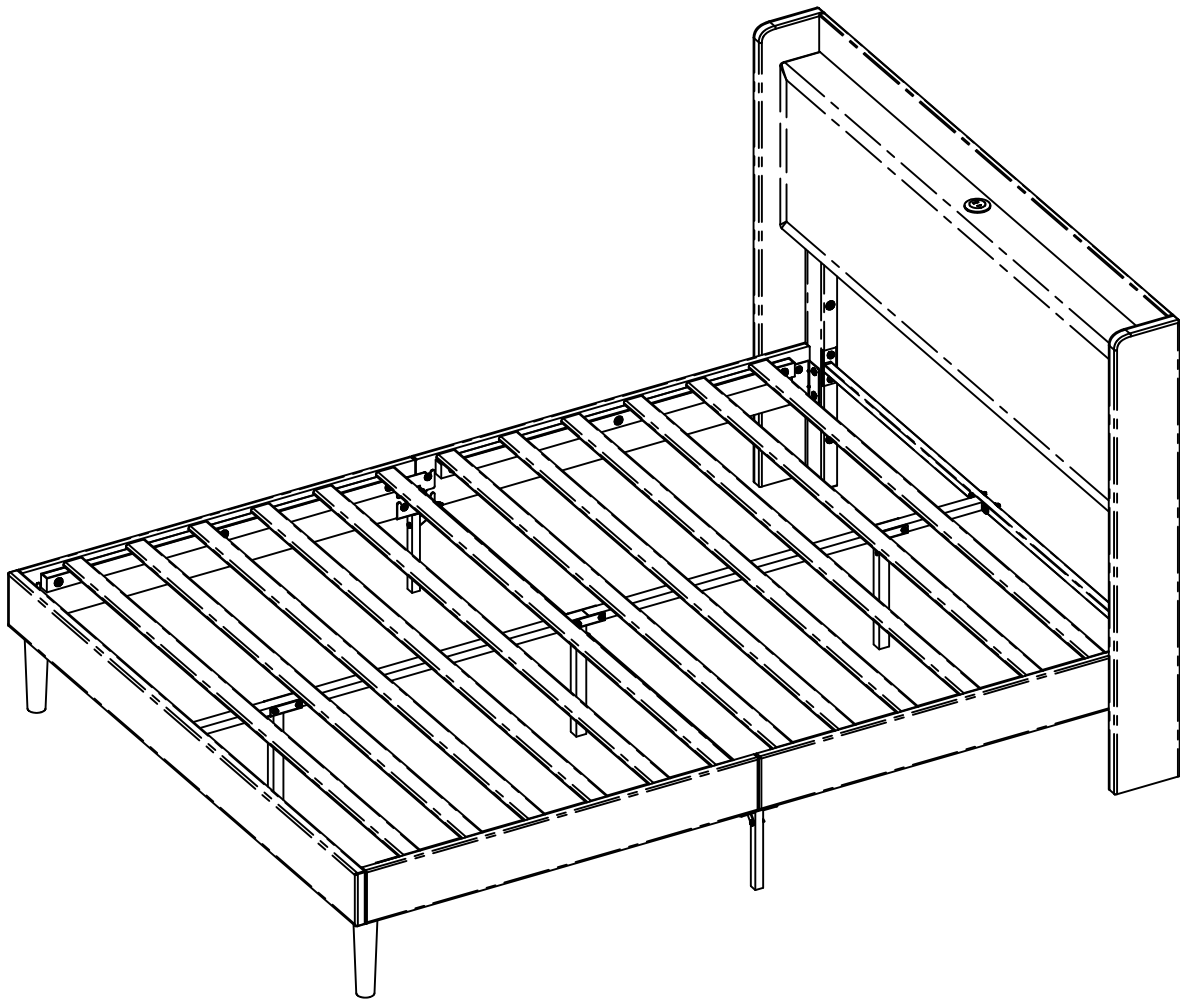


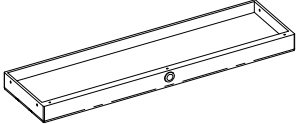
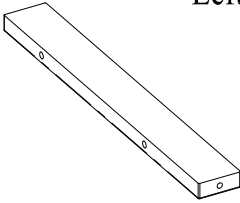
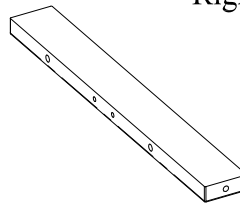
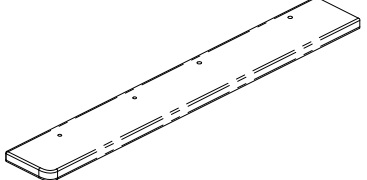
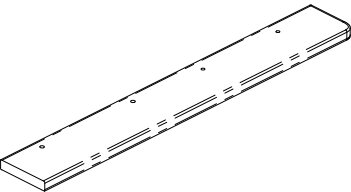
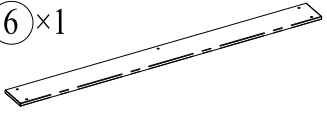

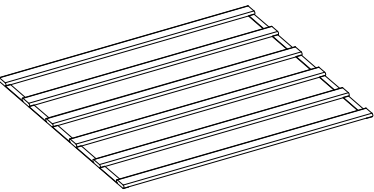




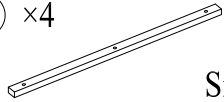


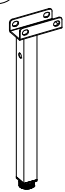


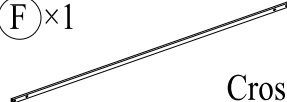
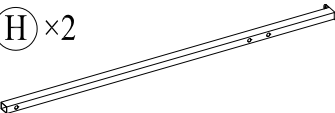



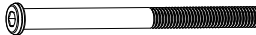


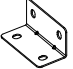



ASSEMBLY INSTRUCTION

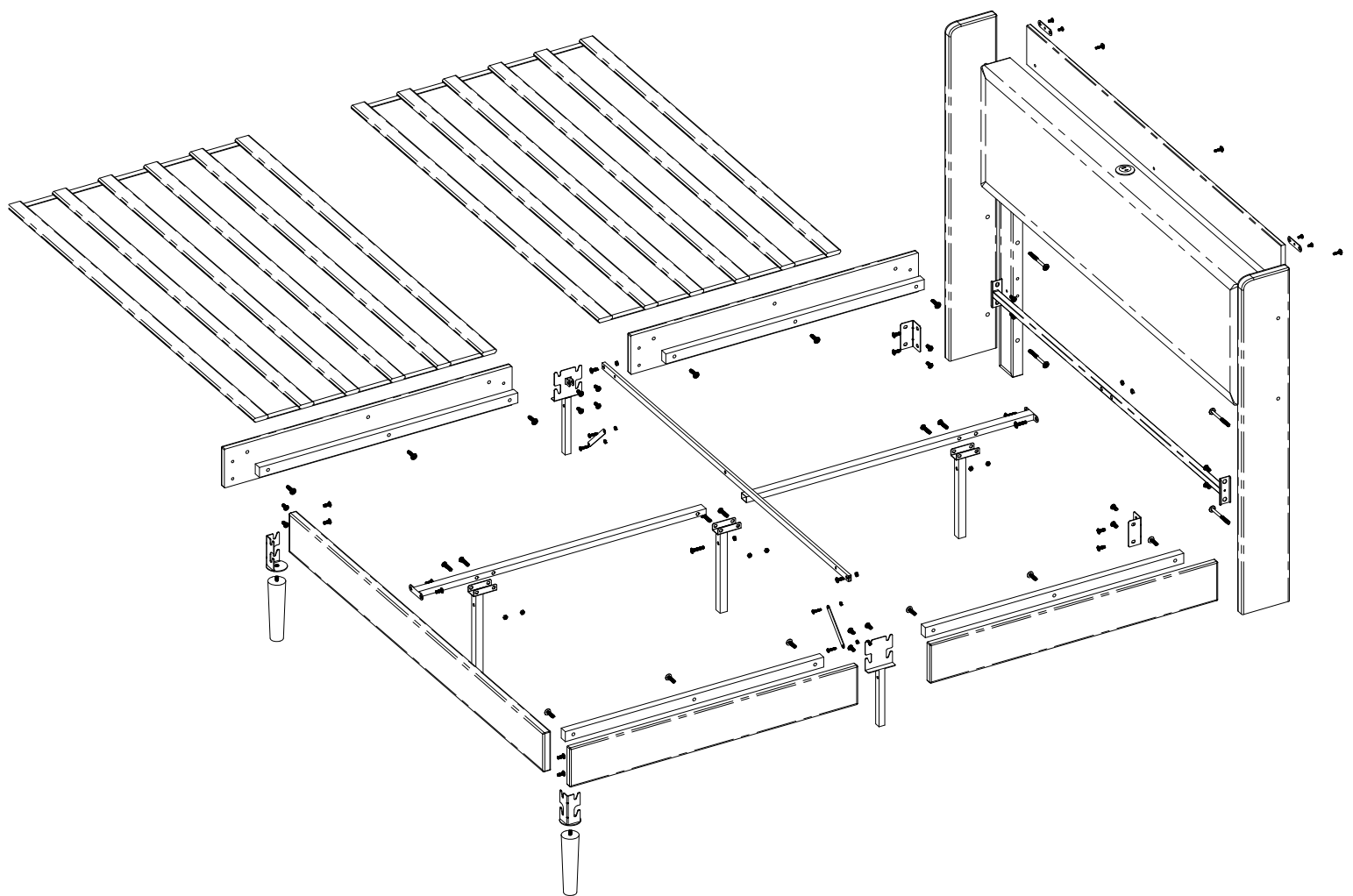


80 Series Bed Frame

Full Size / Queen Size / King Size

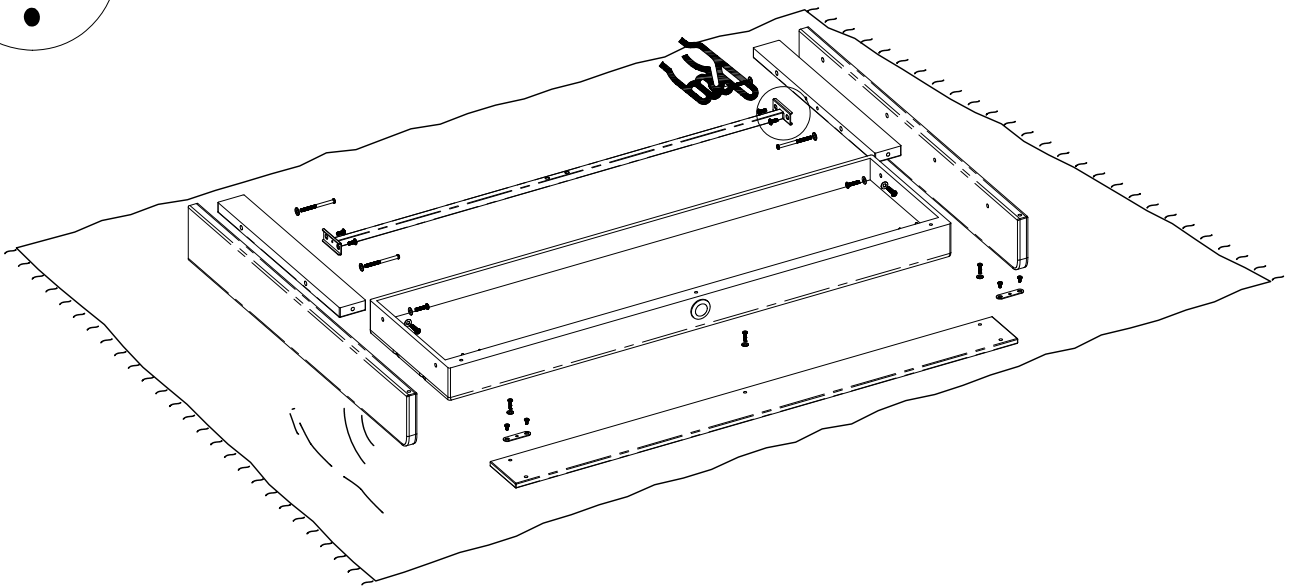


① ×1 Upper 		② ×1 Left 		③ ×1 Right 		④ ×1 		
⑤ ×1 		⑥ ×1 		⑧ ×1 Footboard 		R ×2 Slats 		
A ×4 M6 Nut 	C ×1 	E ×26 	U ×1 	G ×4 Side rails 		I ×2 	J ×2 Foot 	K ×3 
B ×2 	D ×2 	F ×1 Cross bar 		H ×2 				
M ×32 	N ×8 	O ×27 	P ×4 		X ×1 		Y ×2 Angle iron 	Z ×2 Angle iron 
Q ×4 	S ×11 M8 Nut 	T ×1 						






Clean the floor, next we need to install this bed frame on the floor. Before you start, find a blanket and lay it flat on the floor.

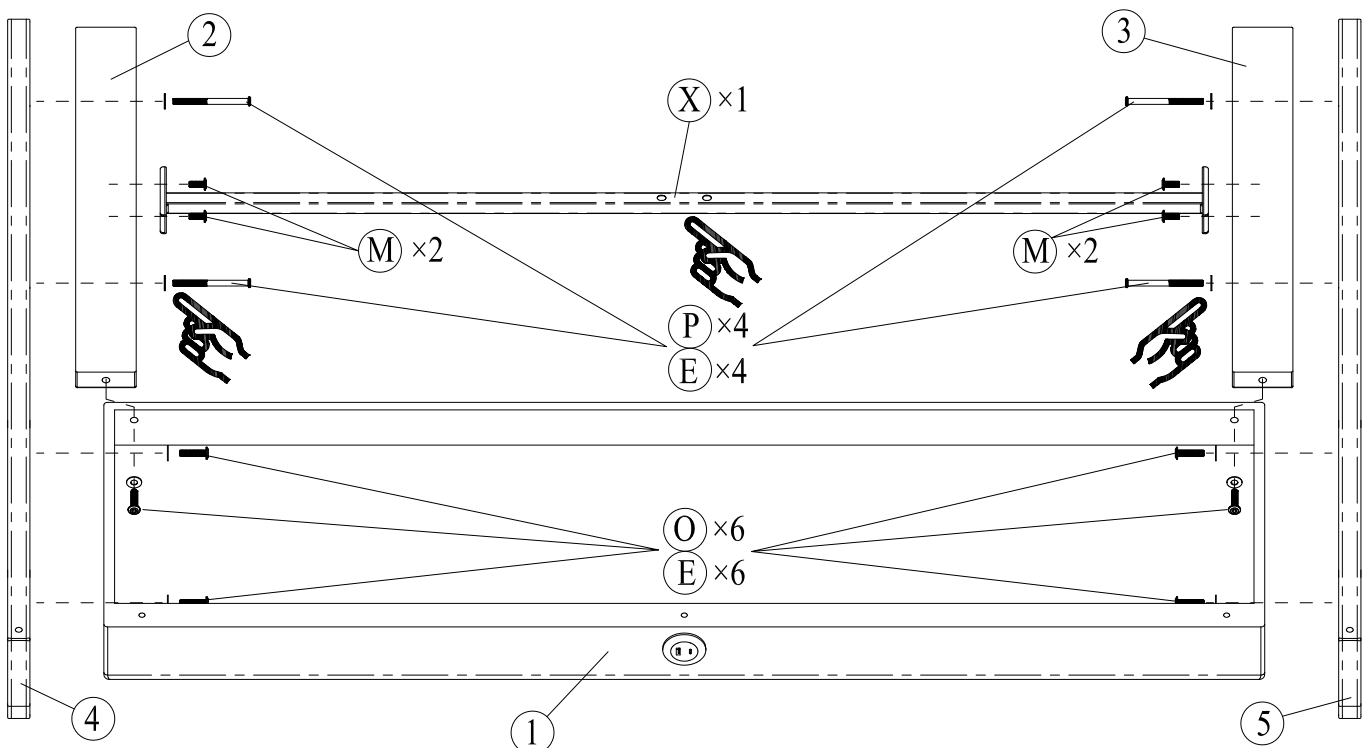


! Place the accessories to be installed in each step flat on the blanket, take inventory and clean anti-rust oil on tools before start assembling. Complete one of the assemblies and lean against the wall to make room for the next step.

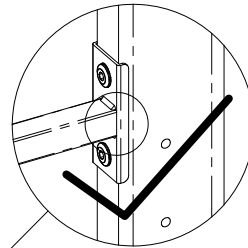
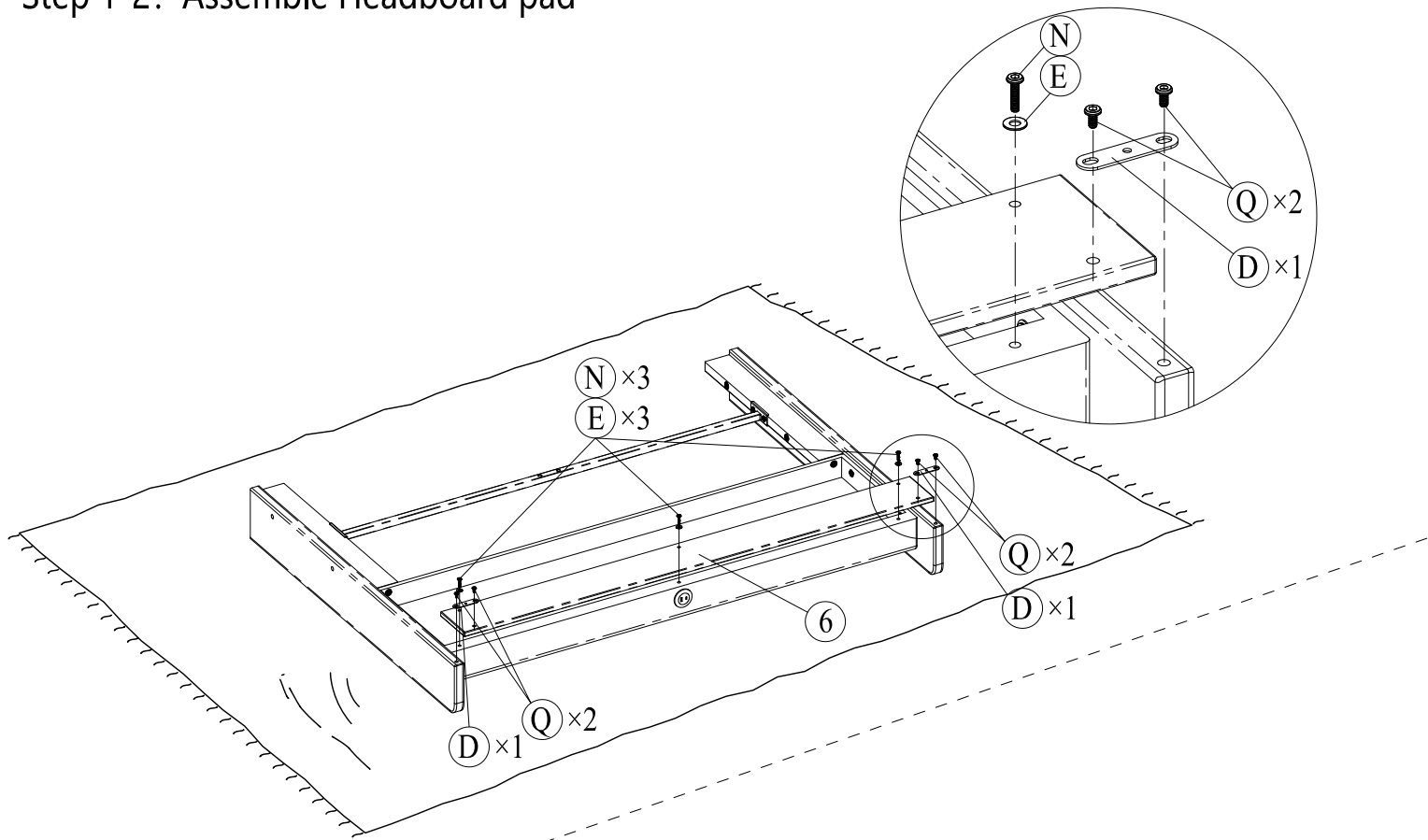
Step 1-1: Assemble Headboard

According to the following picture, check all accessories, preferably pre-positioned in position. Install all 14 screws, noting that 10 of the screws require spacers.

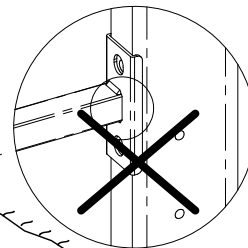
 During installation all screws are not fully locked at first, make sure that the screws can be screwed in correctly in all positions, and then lock them one by one.



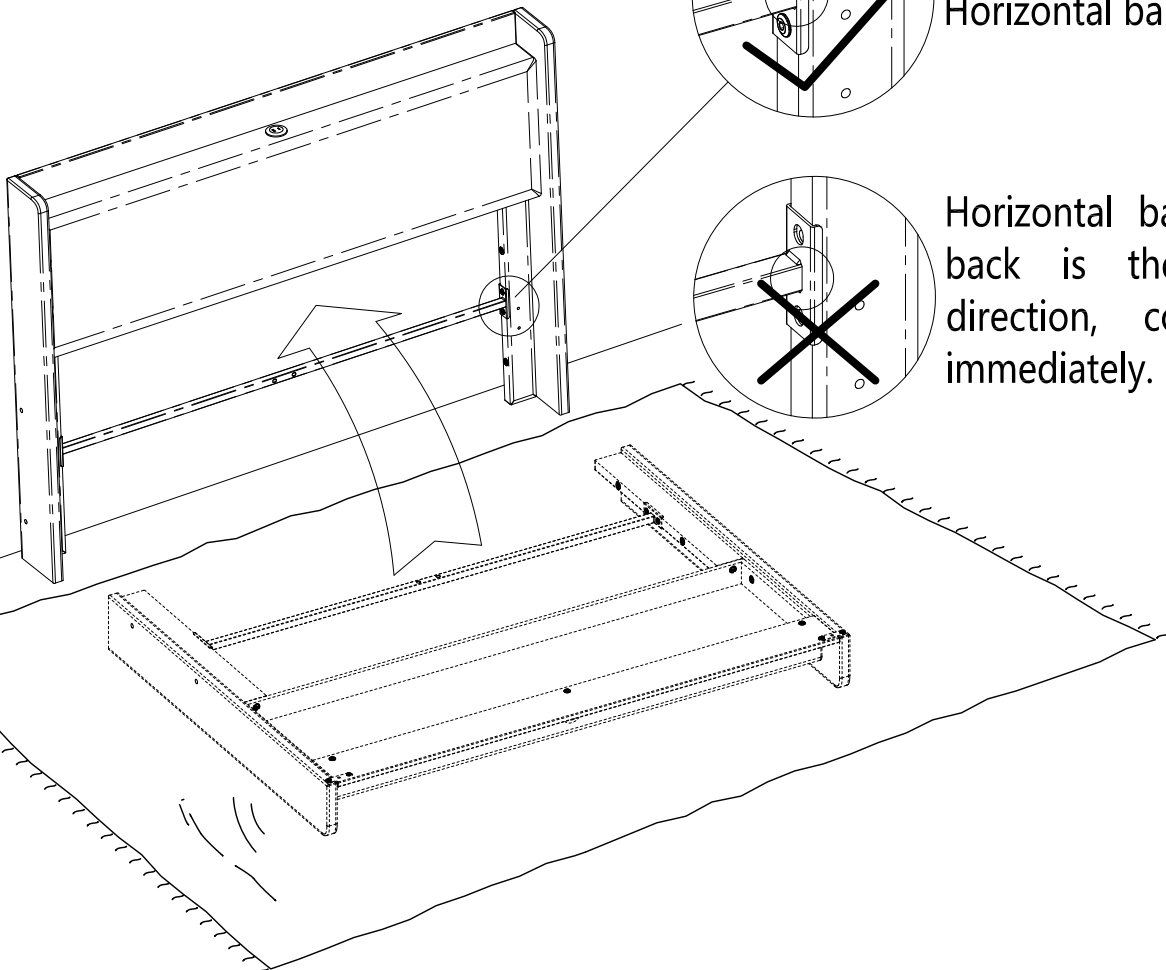
Step 1-2: Assemble Headboard pad



The correct direction is Horizontal bar in front.

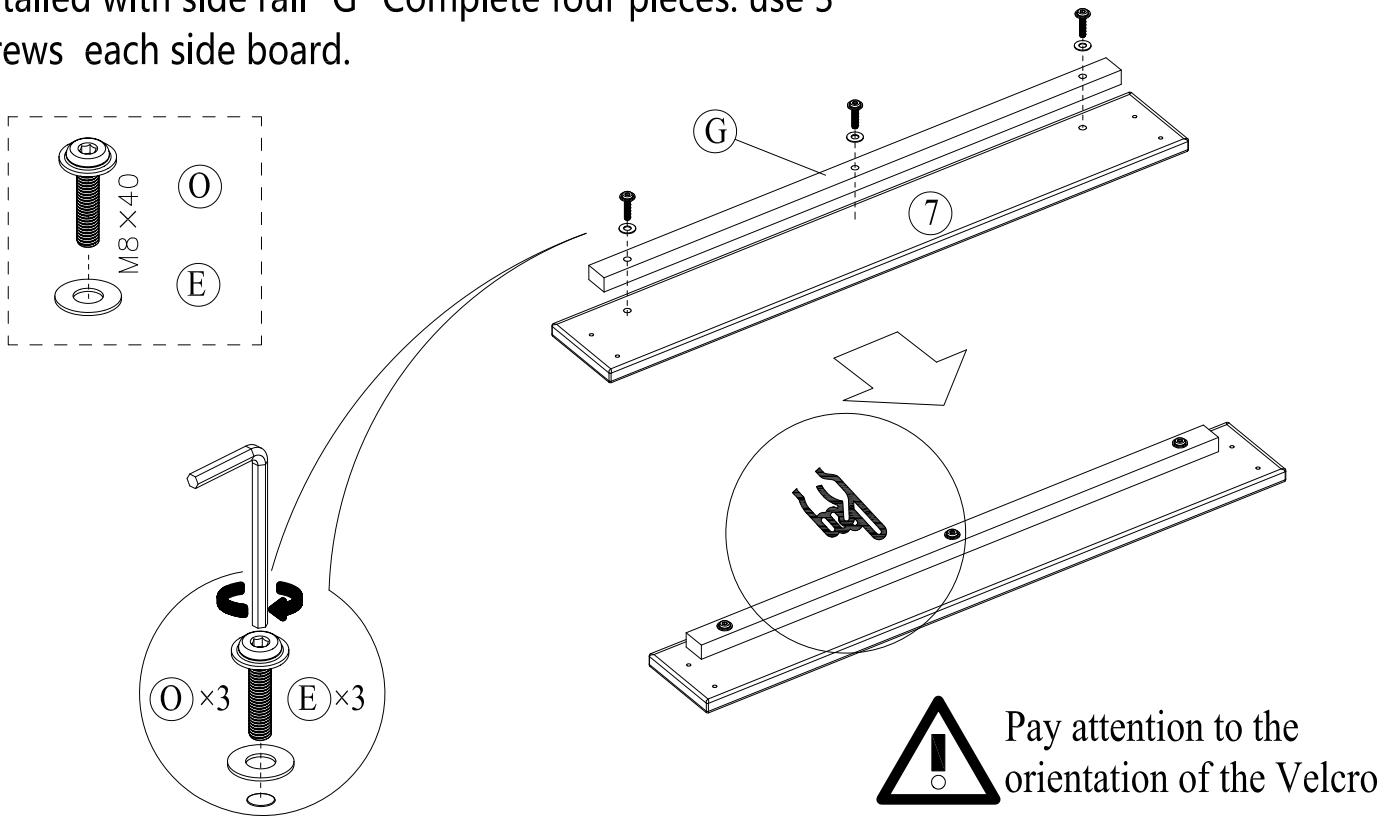


Horizontal bar at the back is the wrong direction, correct it immediately.



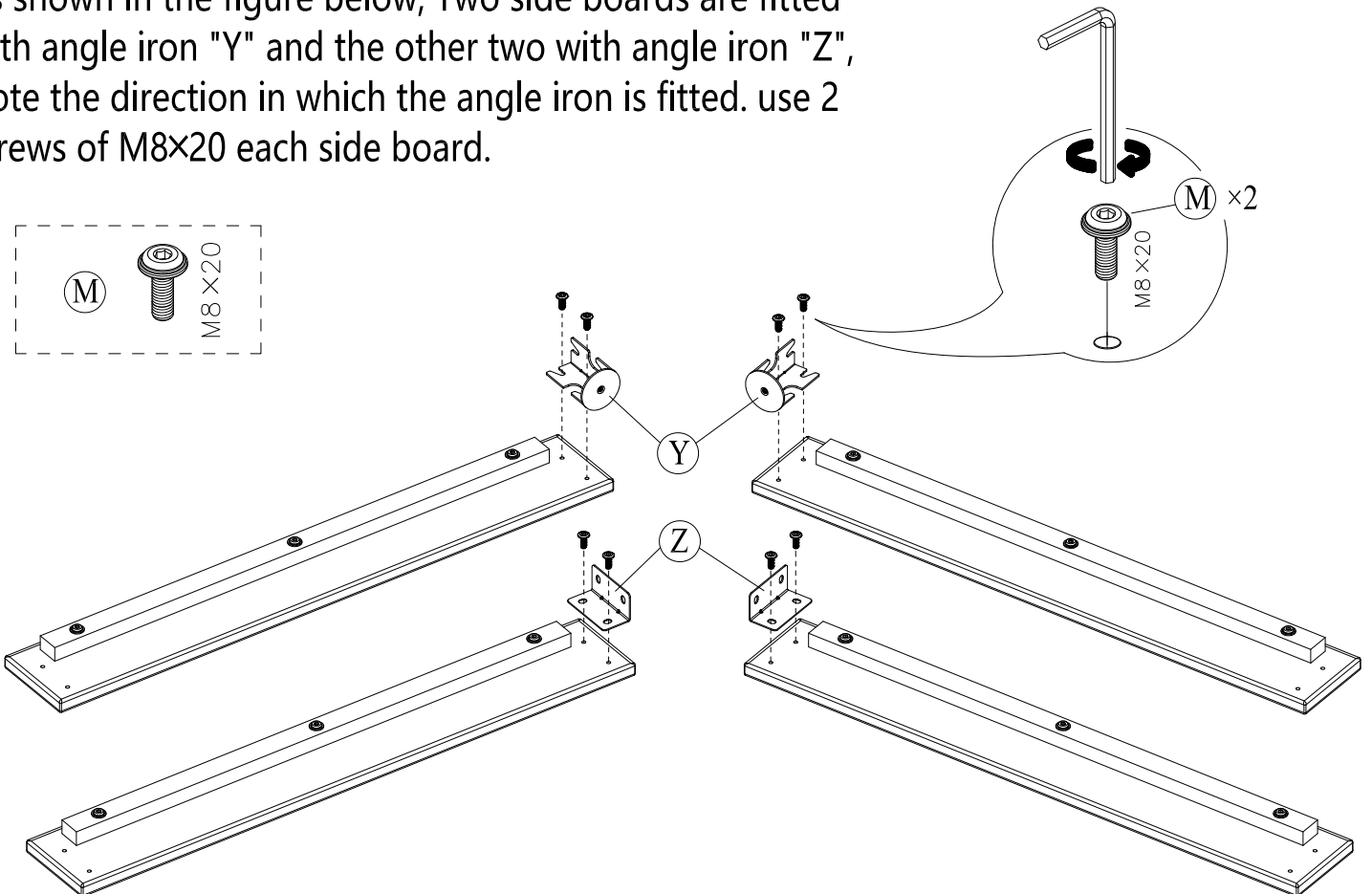
Step 2-1: Assembly of bed side

As shown in the figure below, bed side board "7" is installed with side rail "G" Complete four pieces. use 3 screws each side board.



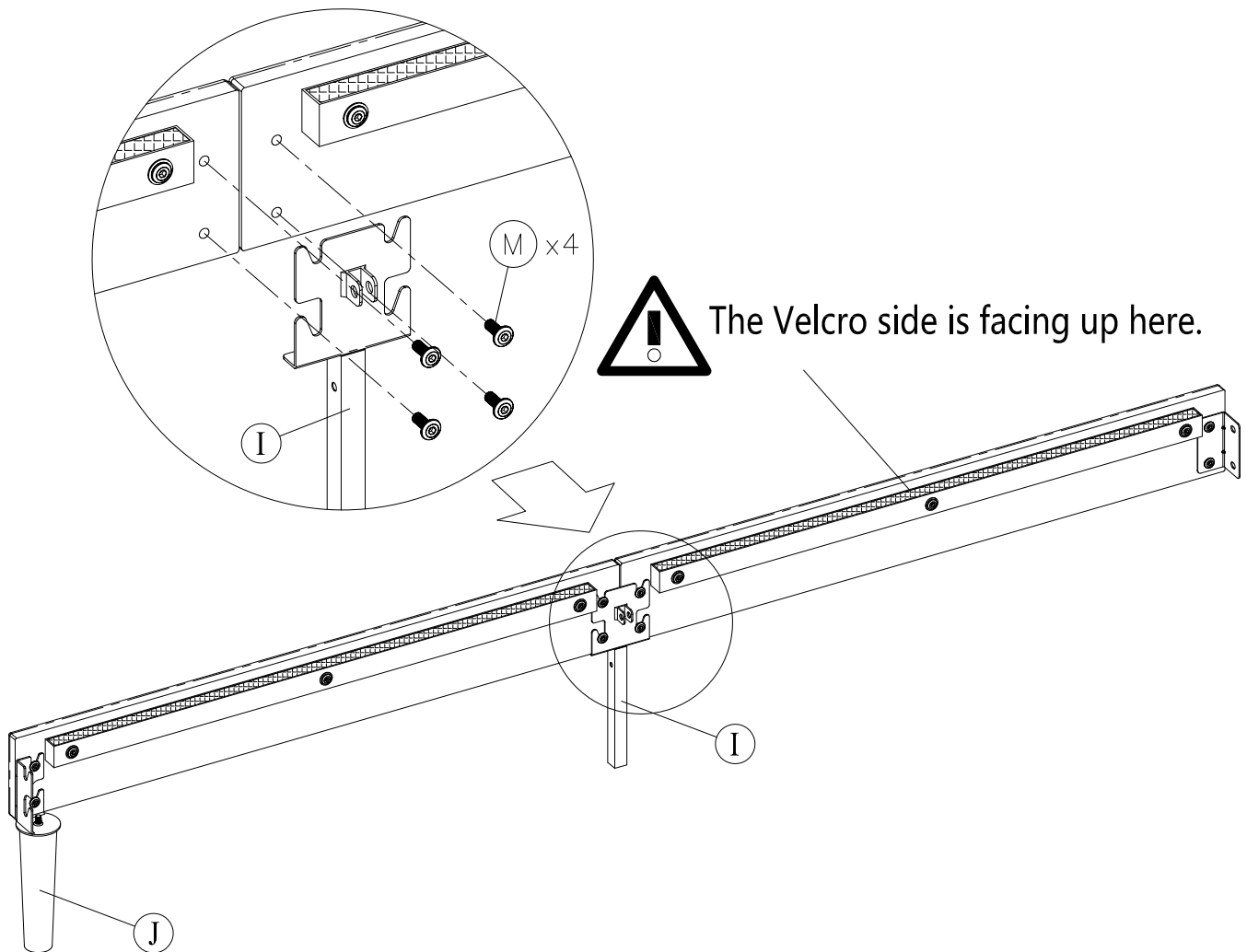
Step 2-2: Assembly of bed side

As shown in the figure below, Two side boards are fitted with angle iron "Y" and the other two with angle iron "Z", Note the direction in which the angle iron is fitted. use 2 screws of M8x20 each side board.

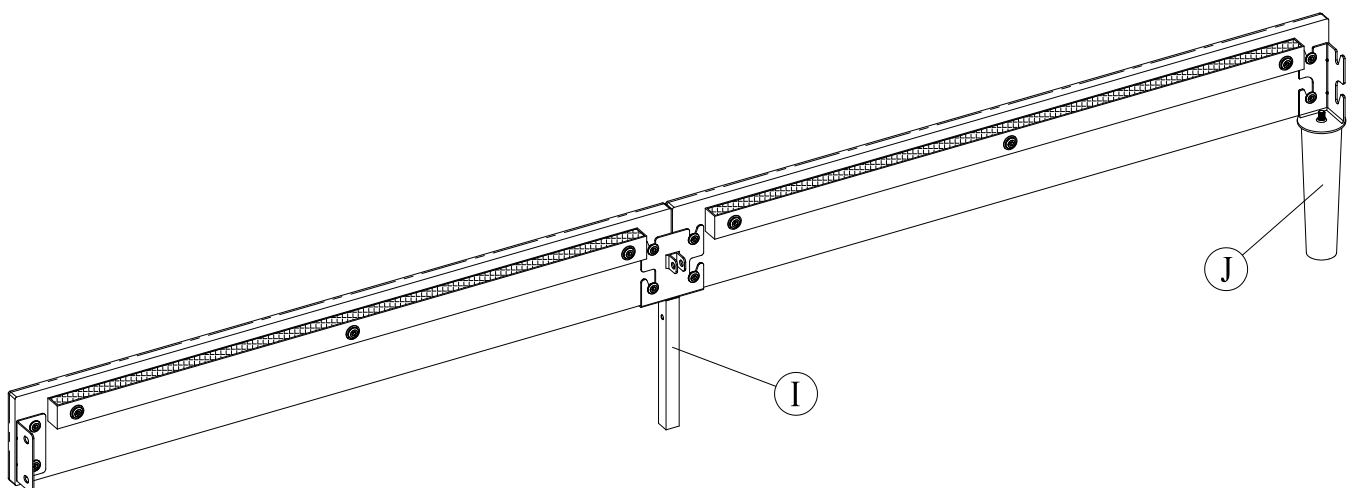


Step 2-3: Assembly of bed side

As shown in the figure below, use the side foot to connect two side boards with different angle irons mounted on them. Use 4 screws of M8×20 locked with "side foot".



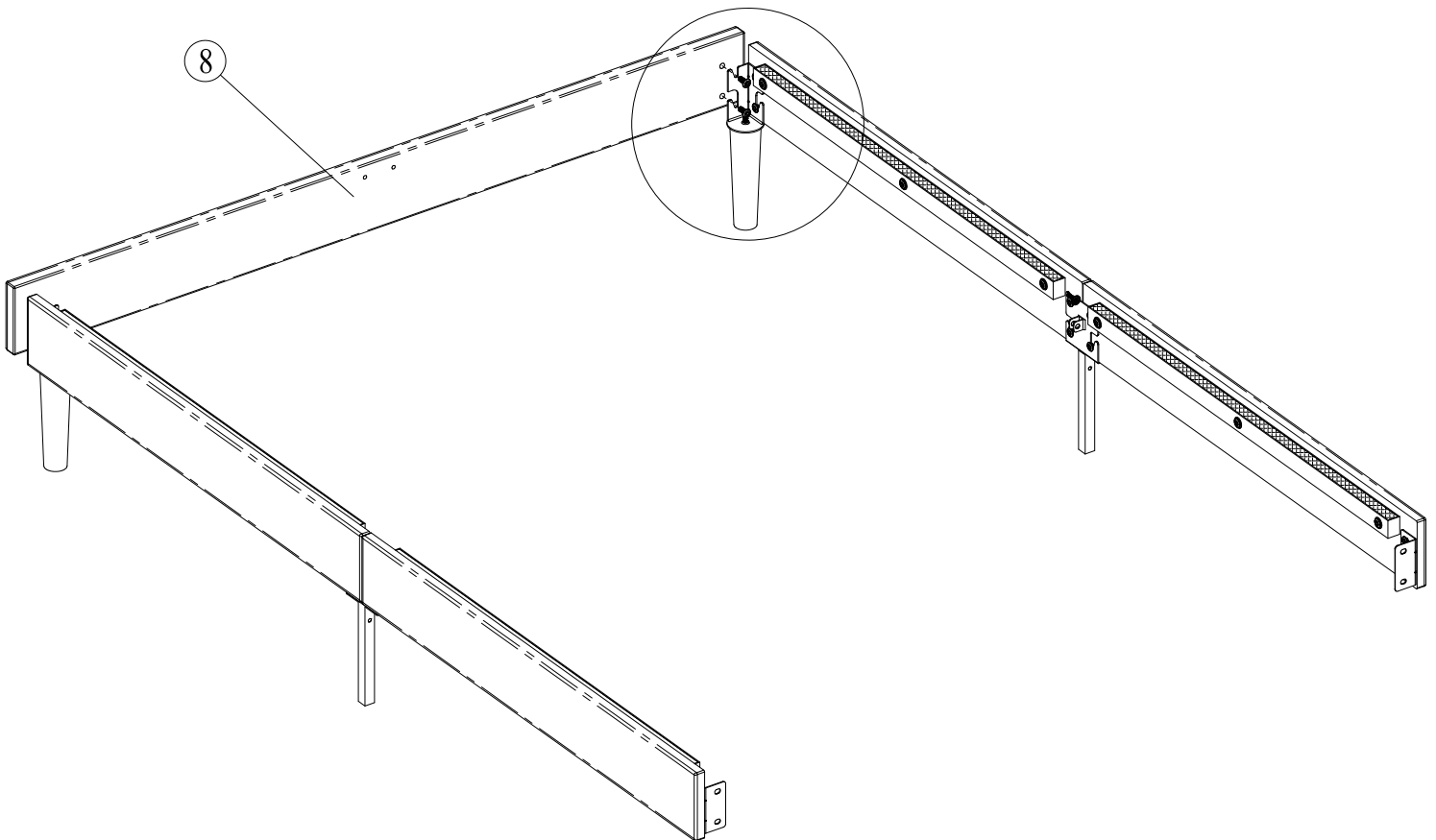
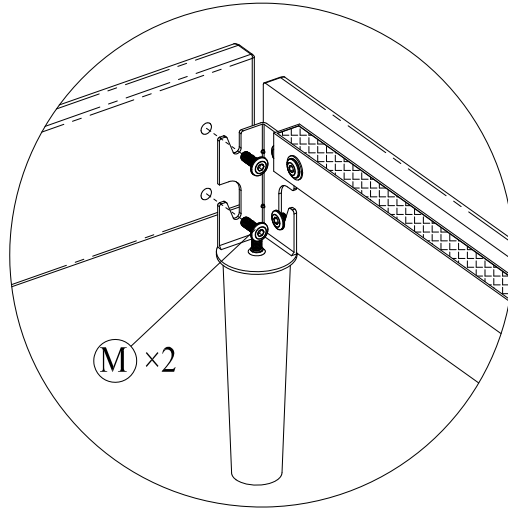
Repeat the to complete the other one.



Step 3: Assembling bed side boards and footboard

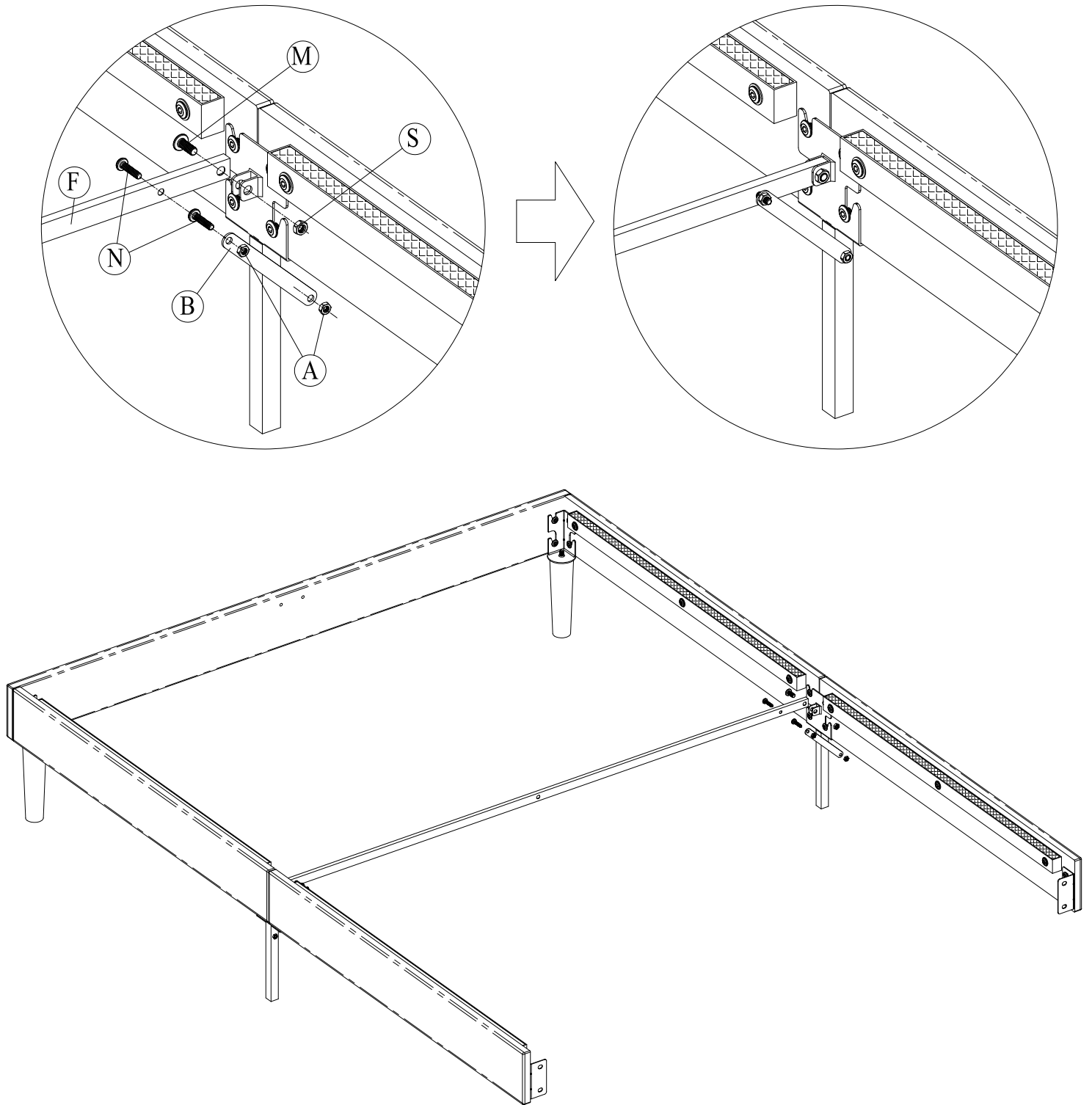
Previously we had two complete pieces of bed side, now assemble them with the foot board, using 2 screws on each side.

Ⓜ ×4

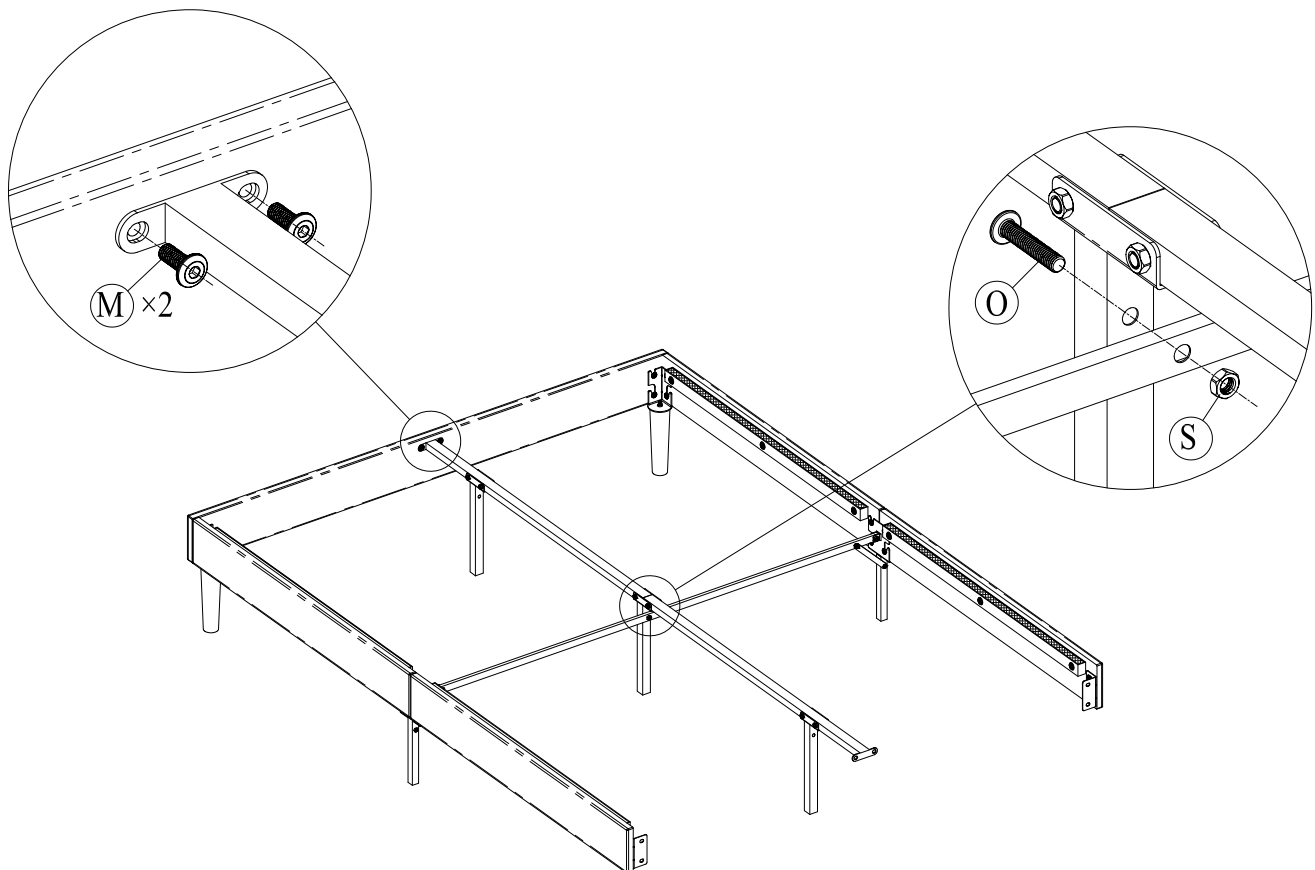
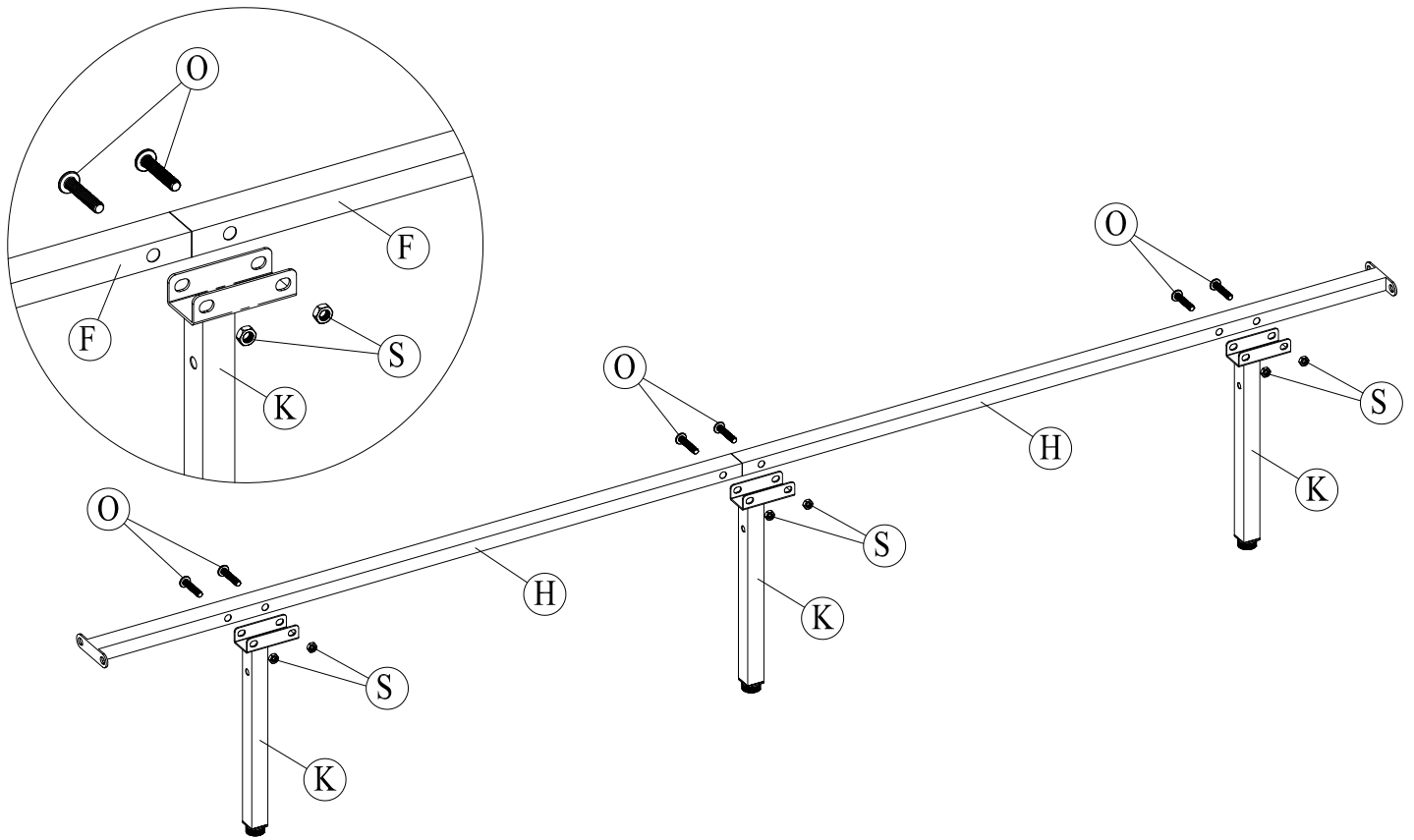


Step 4: Assembling cross bar

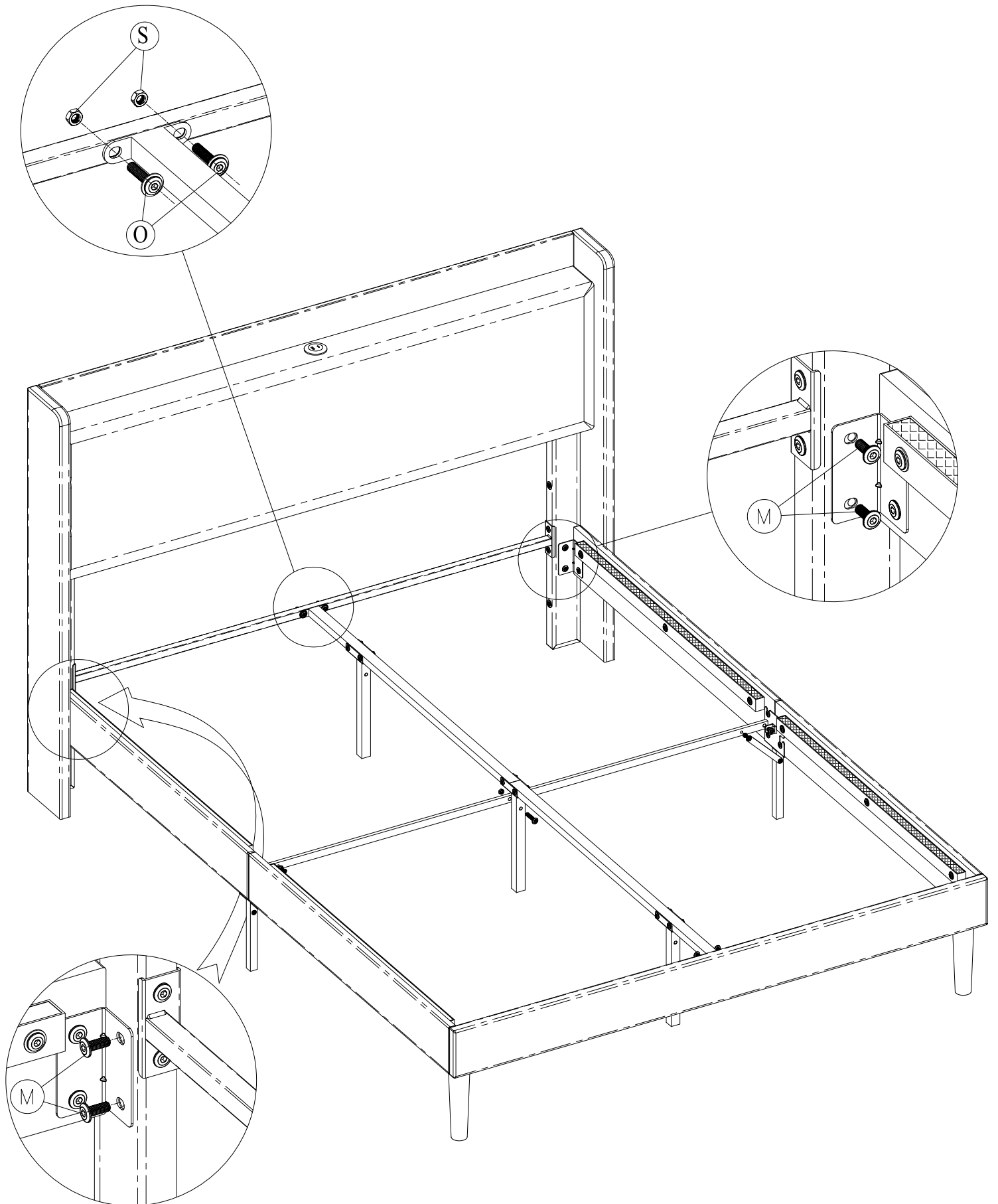
Connect the two bed sides with a cross bar, during which they are reinforced with diagonal ties, which require 6 screws for fixing.



Step 5: Assembly of the central support structure

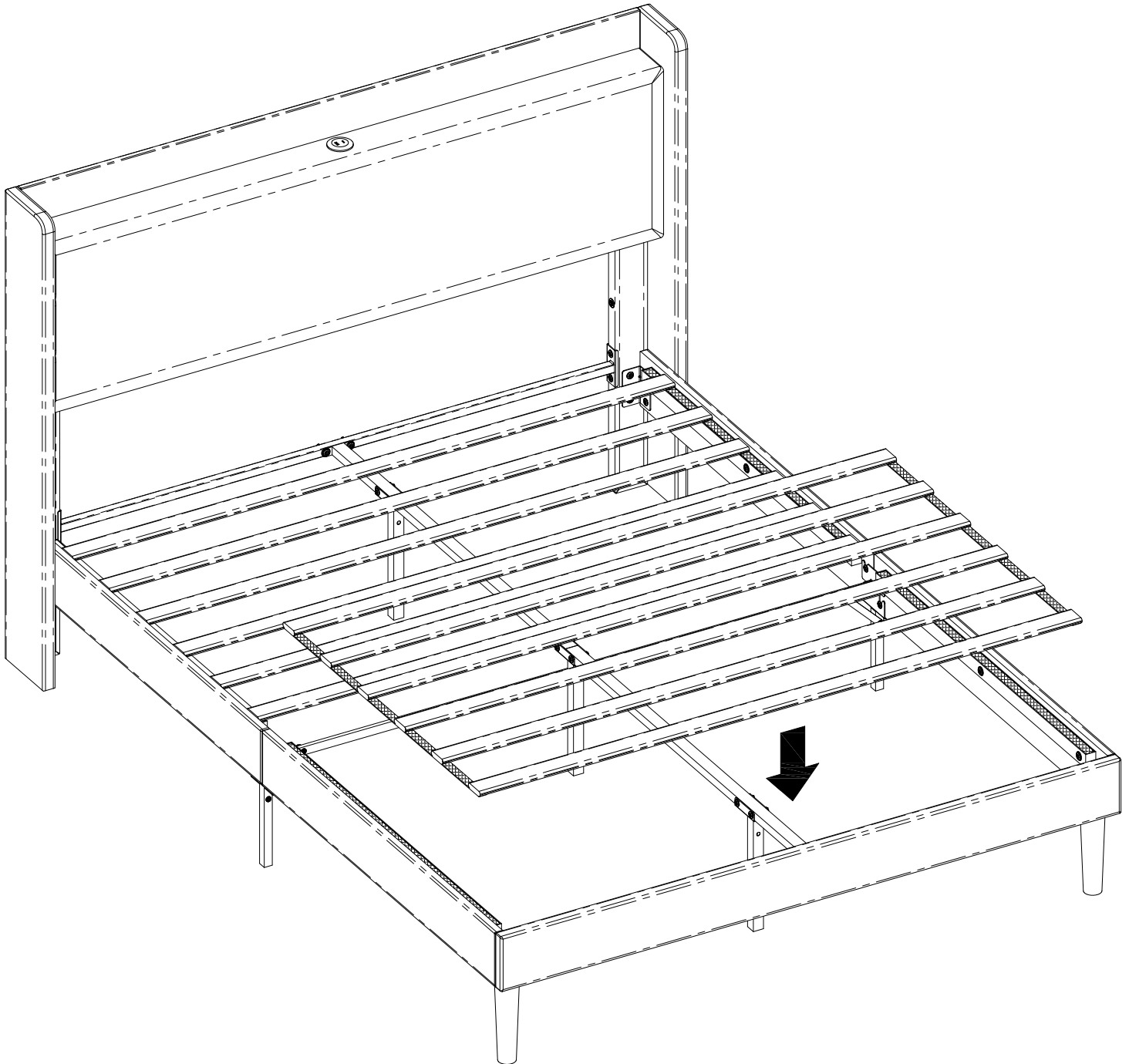


Step 6: Connecting the head board of the bed



Step 7: Placement of slats

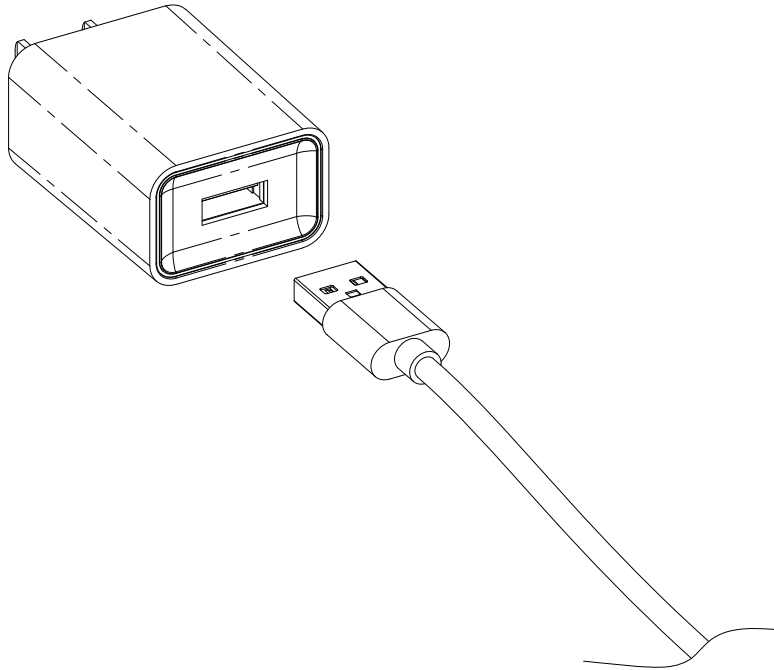
Unfold the slats and attach the velcro side to the velcro side of the side rail.



Try to spread the slats so that the distance between each slat is the same. This is the best way to achieve the best laying results.

Step 8: Connecting the USB Power Adapter

Check the USB cable behind the USB panel on top of the headboard and plug the USB cable into the USB power adapter.



Plug the USB power adapter into the wall outlet and the light on the USB panel should light up.

