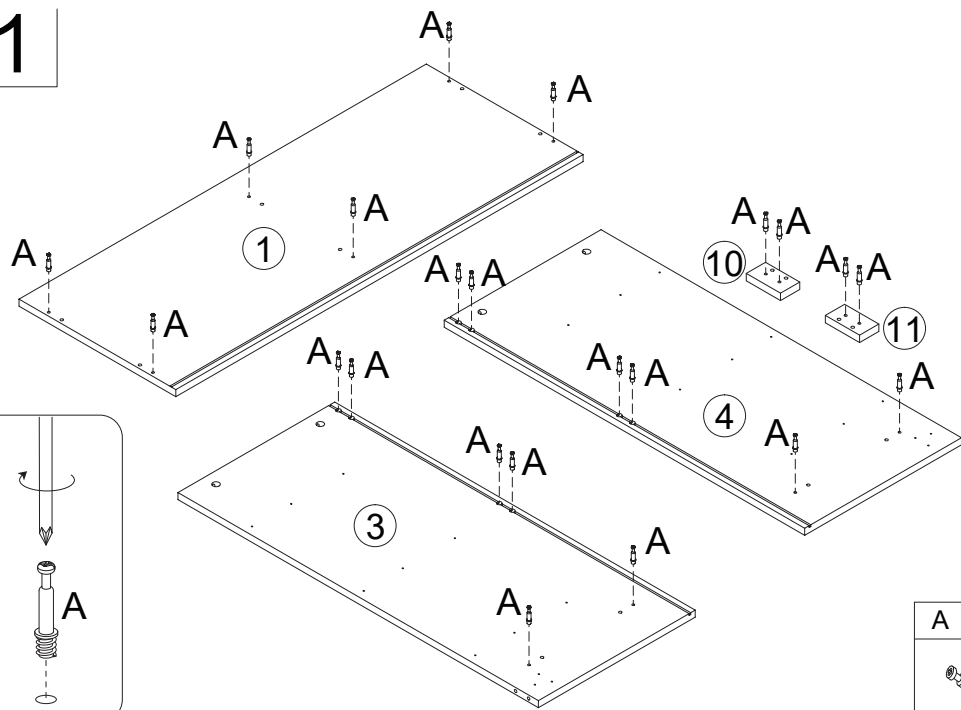
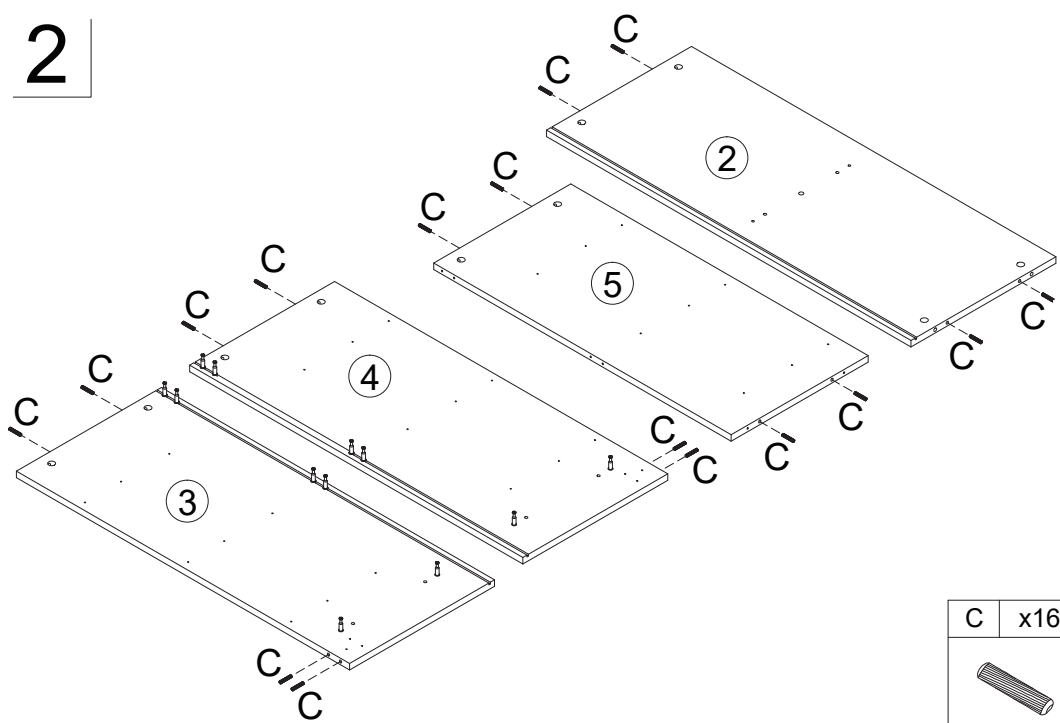




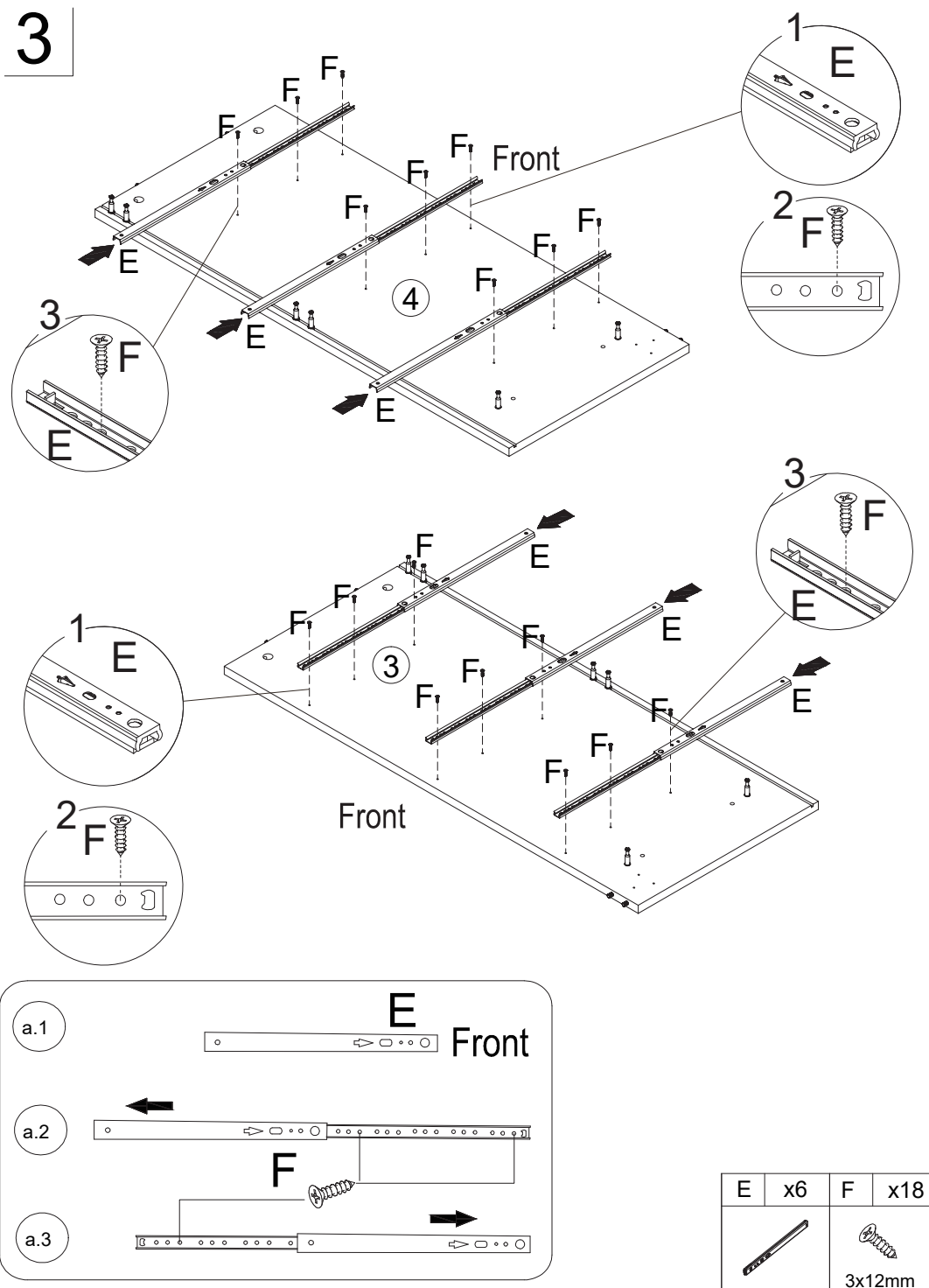
1



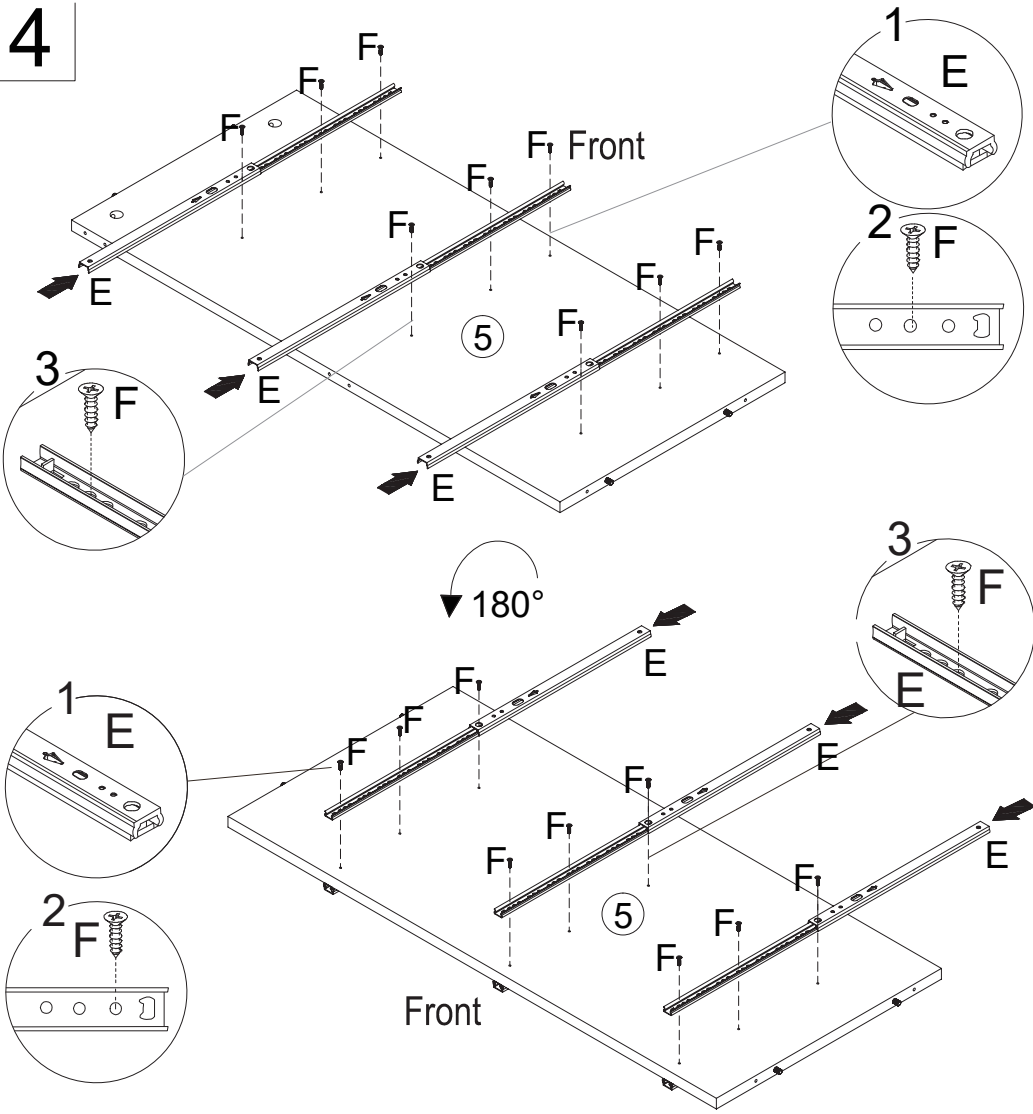
2



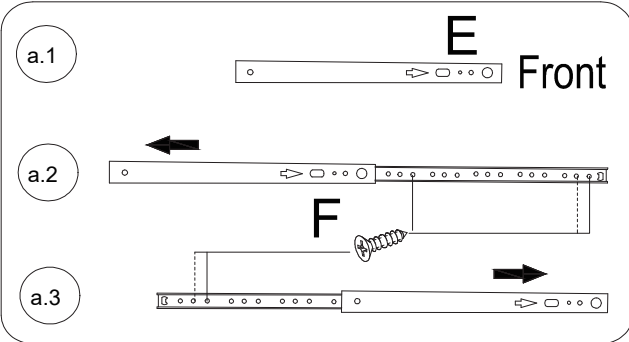
3



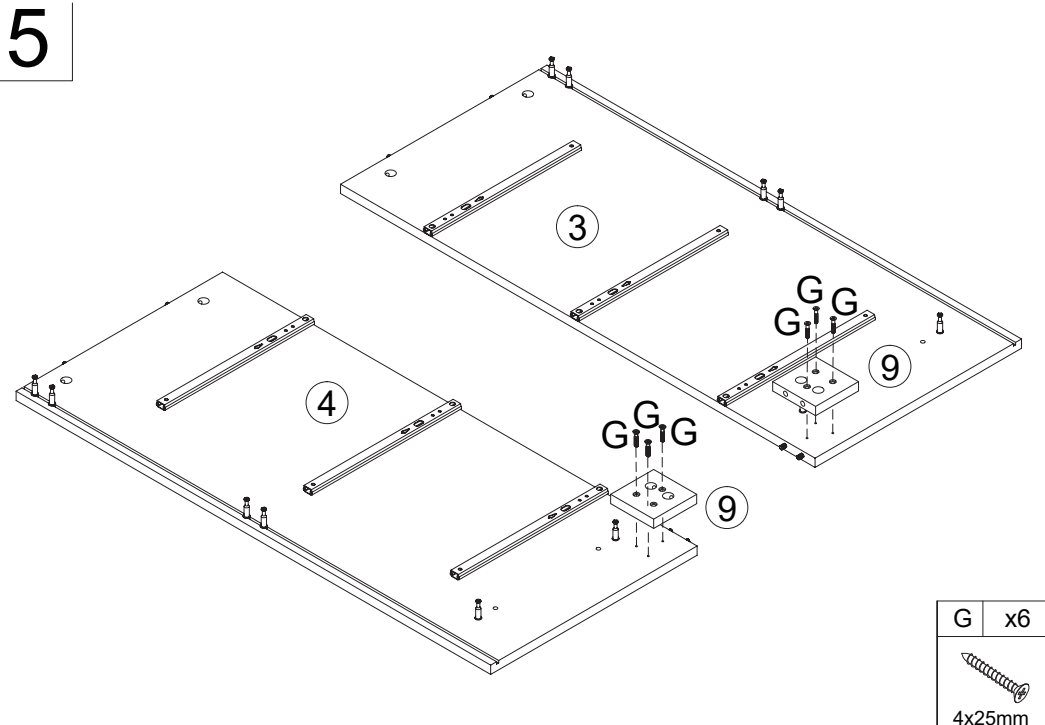
4



E	x6	F	x18
			3x12mm

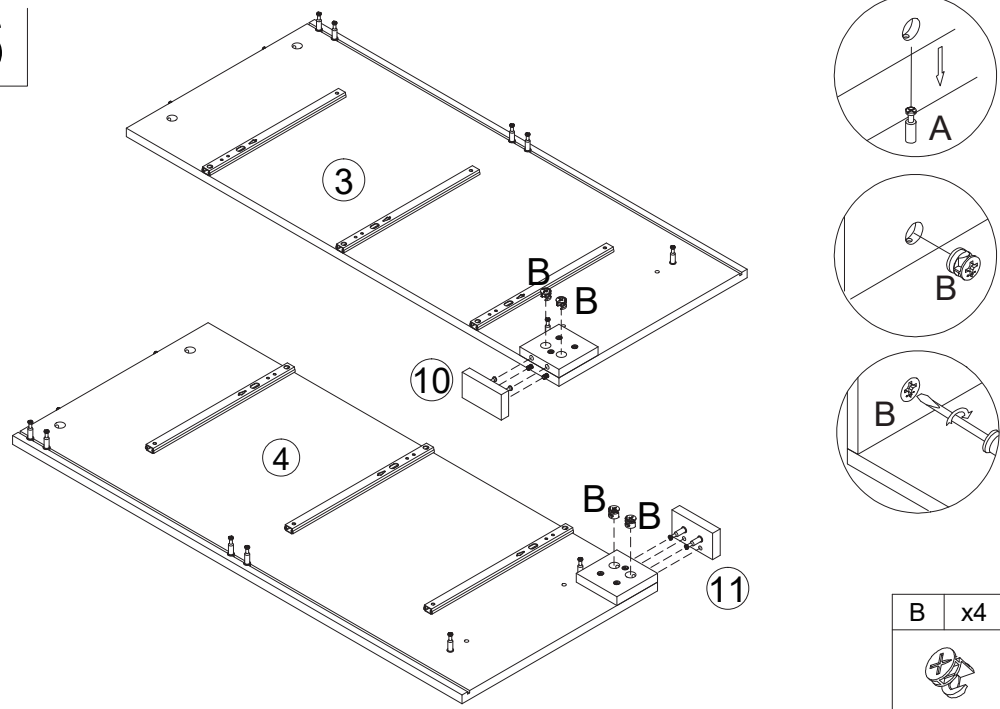


5

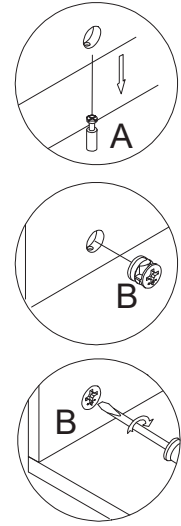


G	x6
	4x25mm

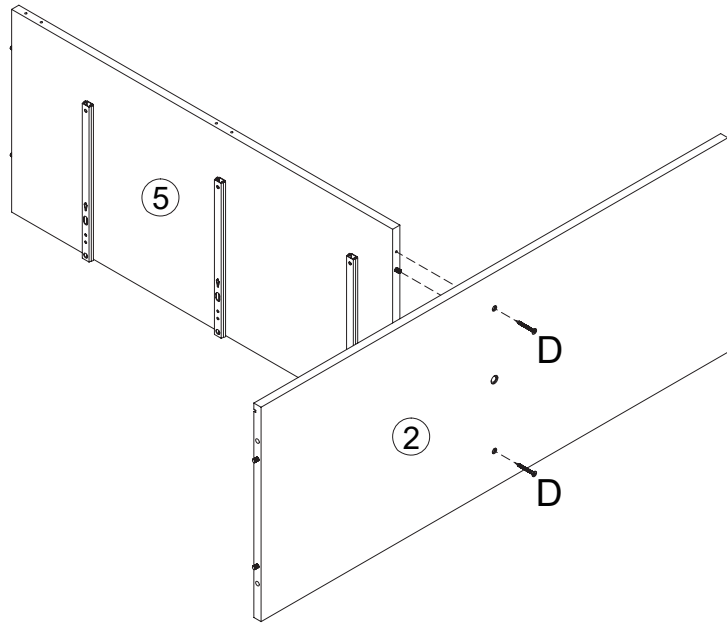
6




B	x4

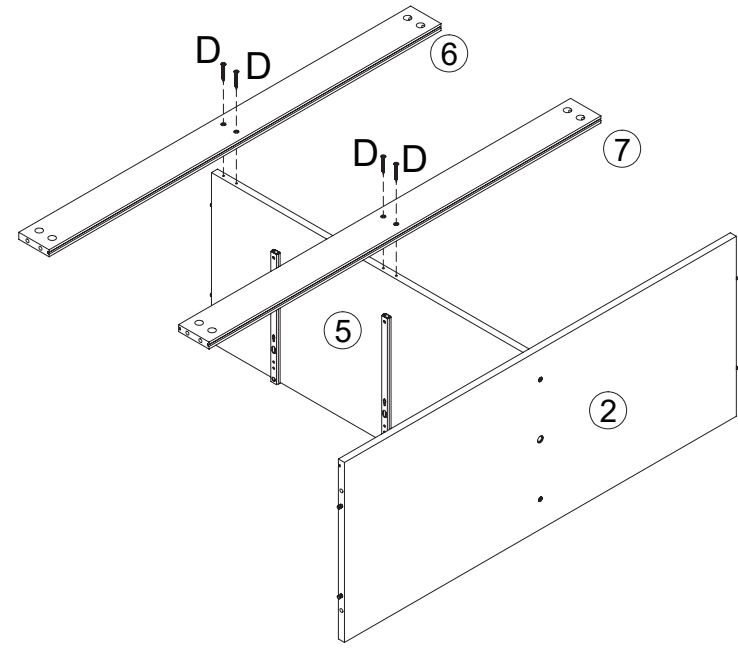



7



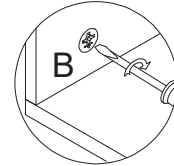
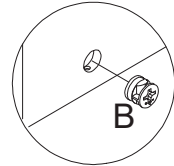
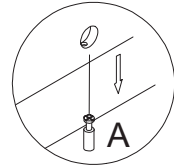
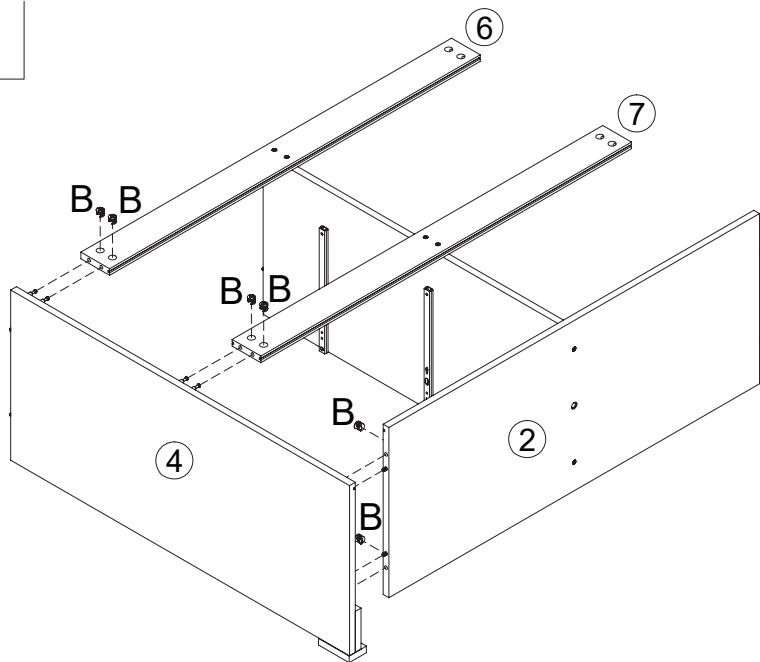
D	x2
 4x40mm	


8



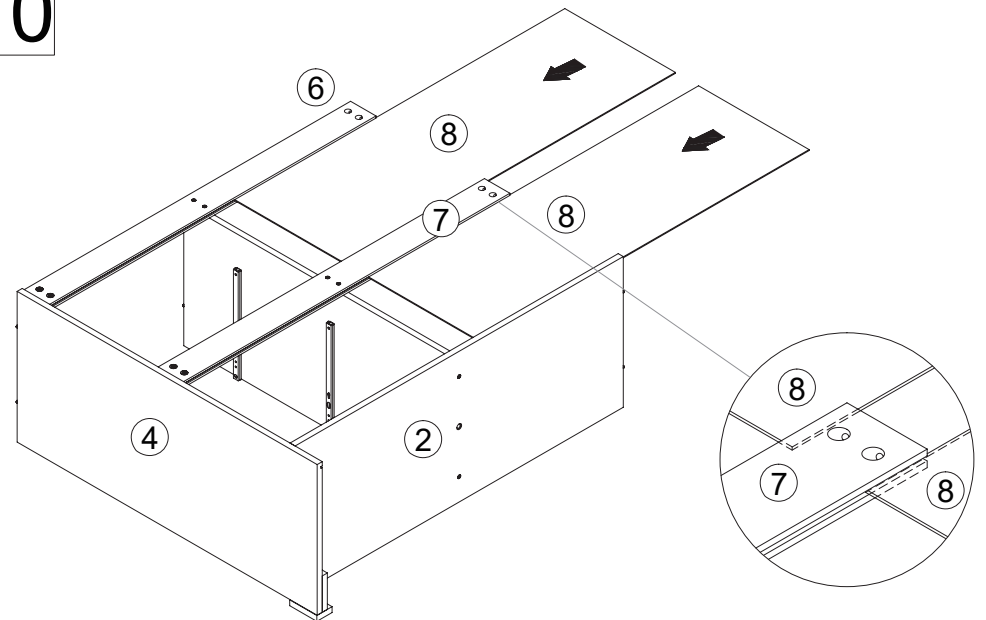
D	x4
 4x40mm	

9

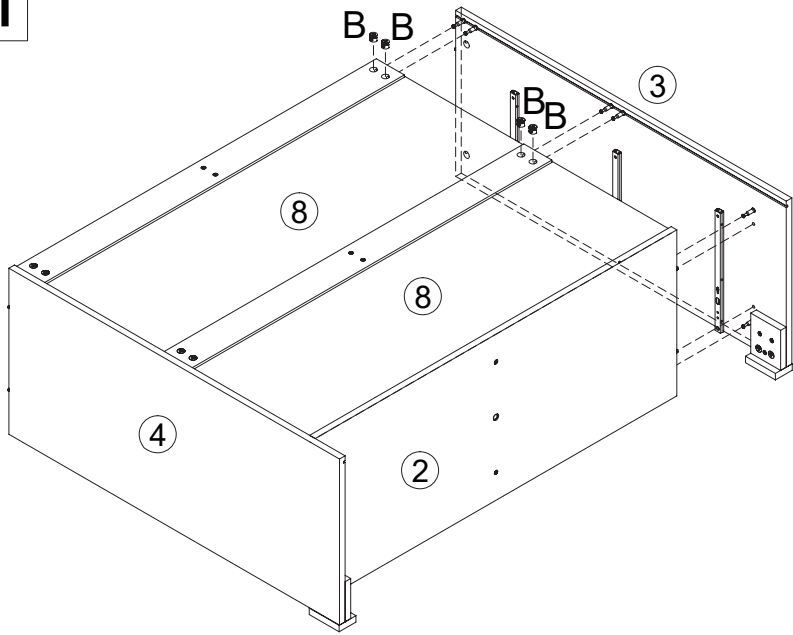


B	x6
	

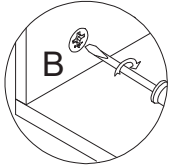
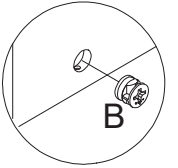
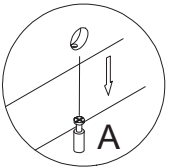
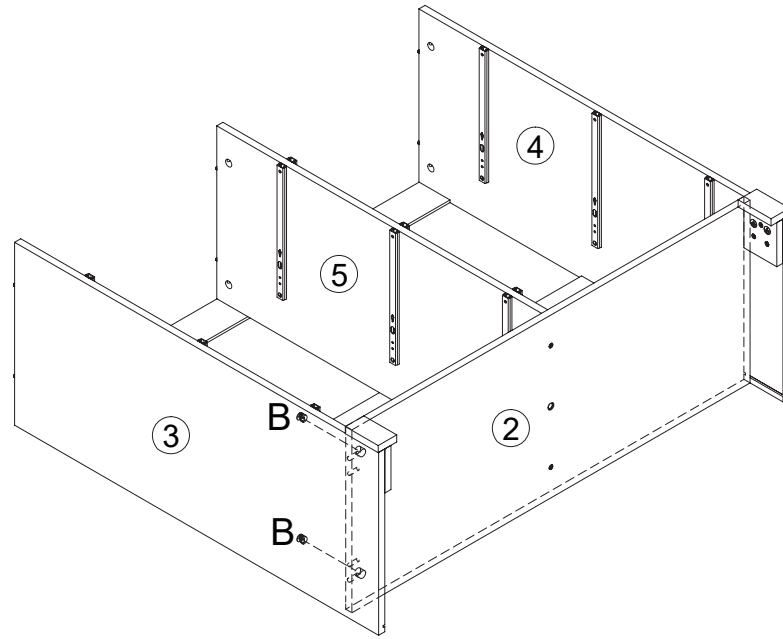
10



# 11



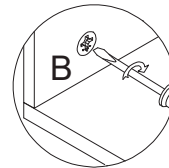
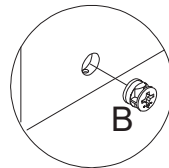
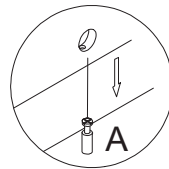
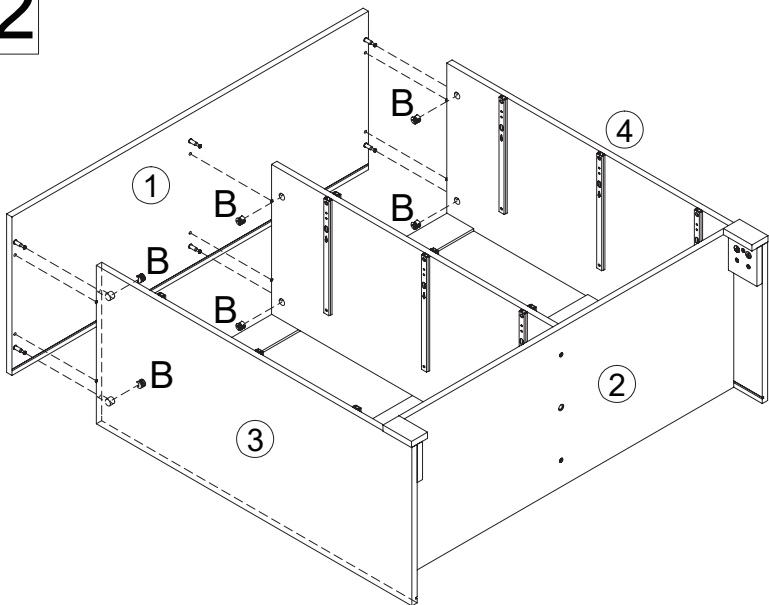
180°



B x6



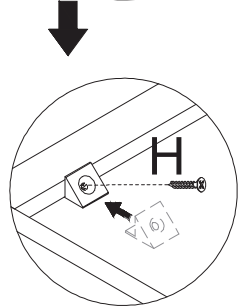
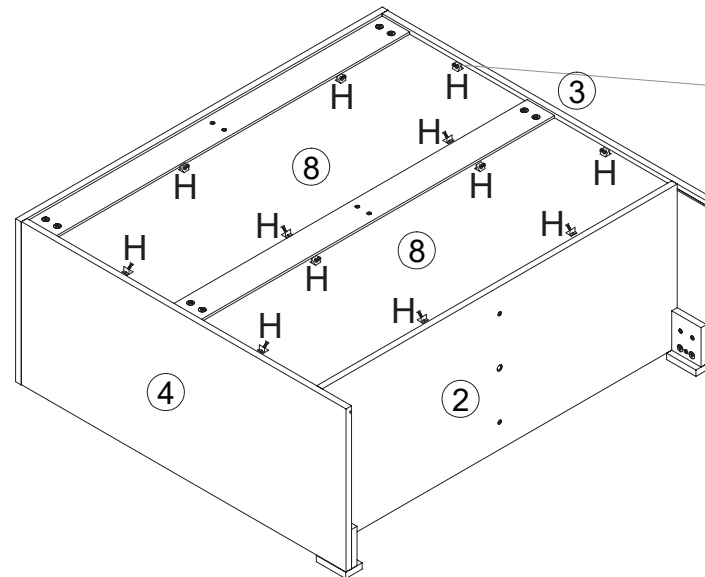
# 12



B x6



# 13



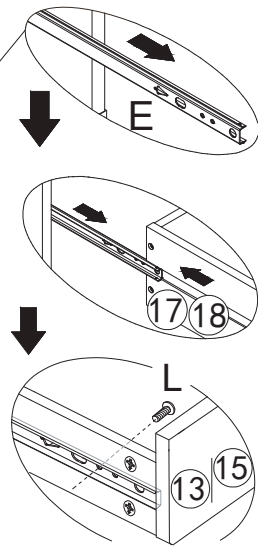
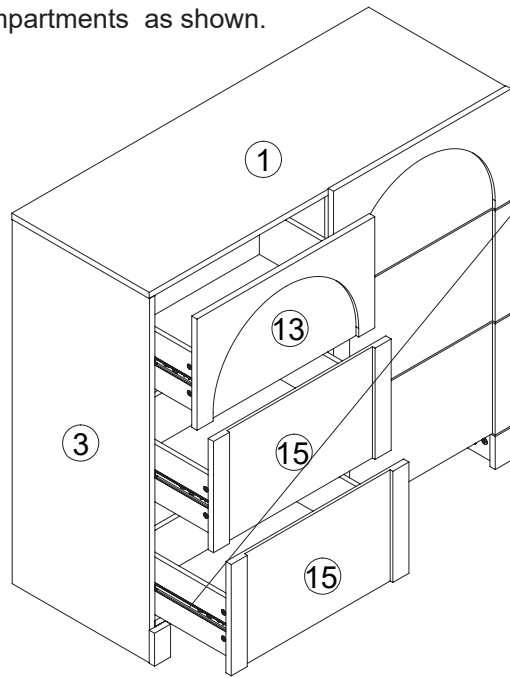
H x12




3x14mm



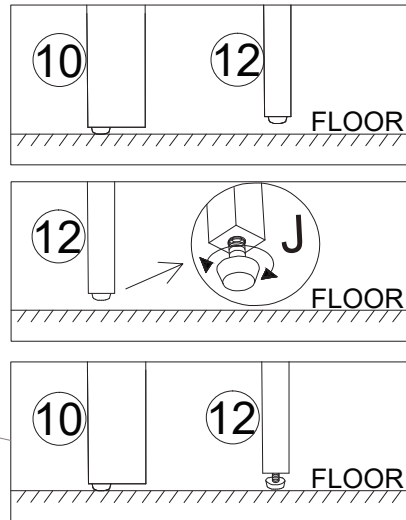
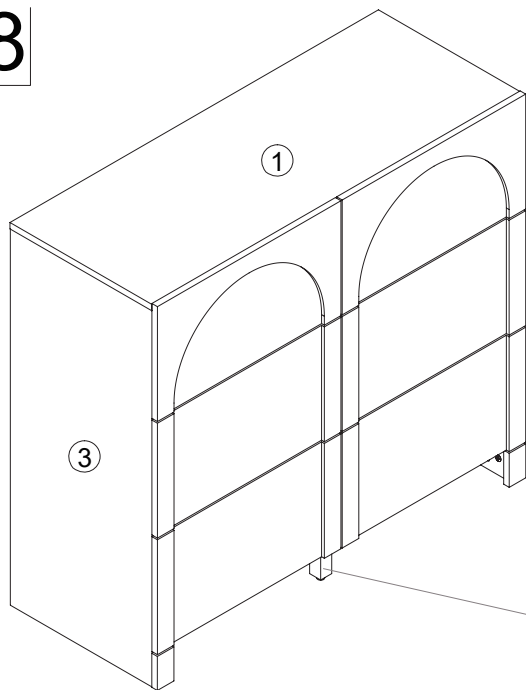
**17** Insert the LEFT drawers into the corresponding compartments as shown.



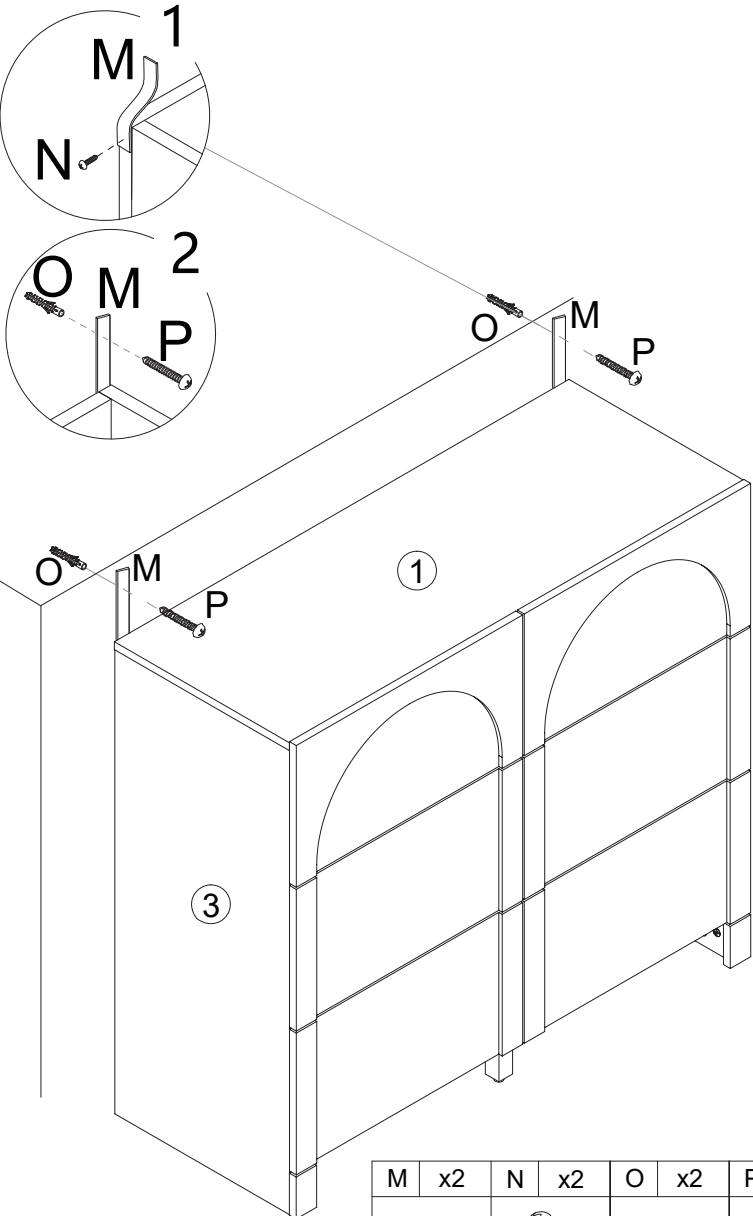
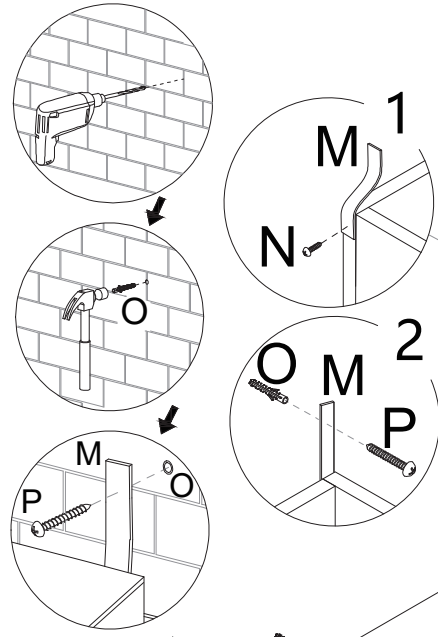
Screw from the inside of the drawers




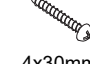
L	x6
	4x11mm

**18**



**19** Pre-drill hole in wall



M	x2	N	x2	O	x2	P	x2
			4x14mm				4x30mm