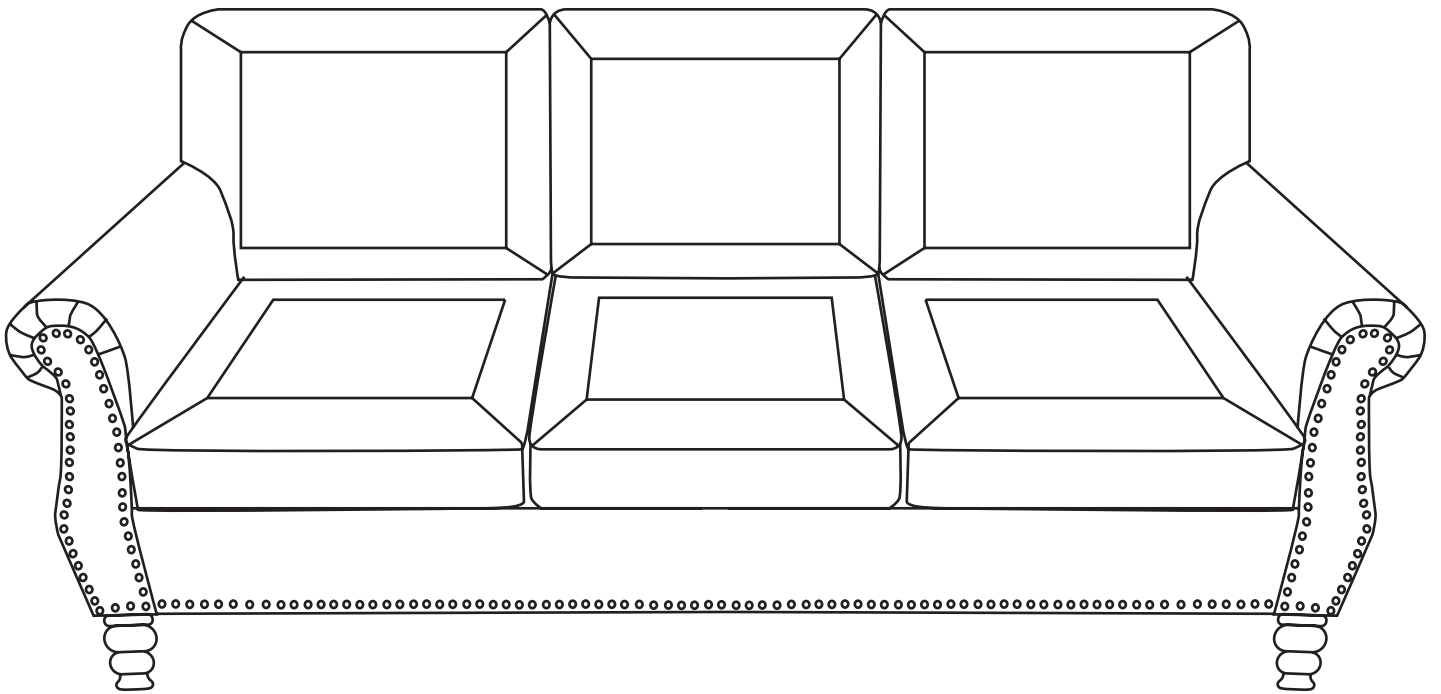
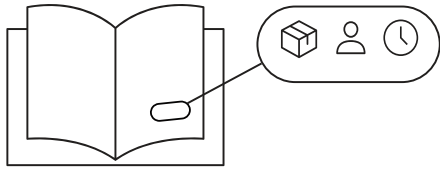


Traditional Leather Sofa

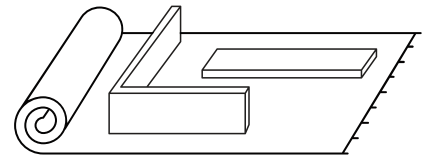


ASSEMBLY INSTRUCTIONS

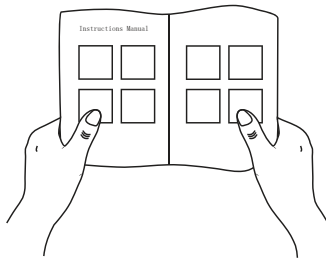
Before you start...



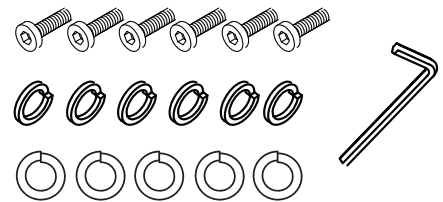
Ensure you have received all cartons and familiarize yourself with the workload. Make sure there are enough helping hands to assist you, and that you have allocated the time required to assemble your new product.



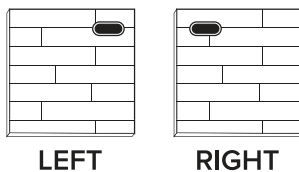
Make sure you have cleared enough space in your home for the assembly. We recommend protecting your floor with a mat or cardboard to avoid scratches during the assembly process.



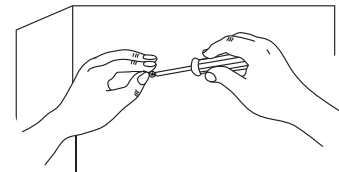
Read instructions carefully and check no parts are missing.



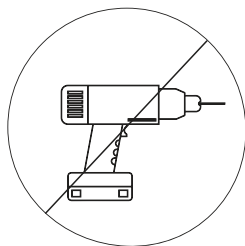
Lay out all hardware on a soft surface so you can easily identify them.



Carefully identify all components in order to differentiate which pieces are left and right.



Install your new product carefully following the instructions. Don't skip ahead!

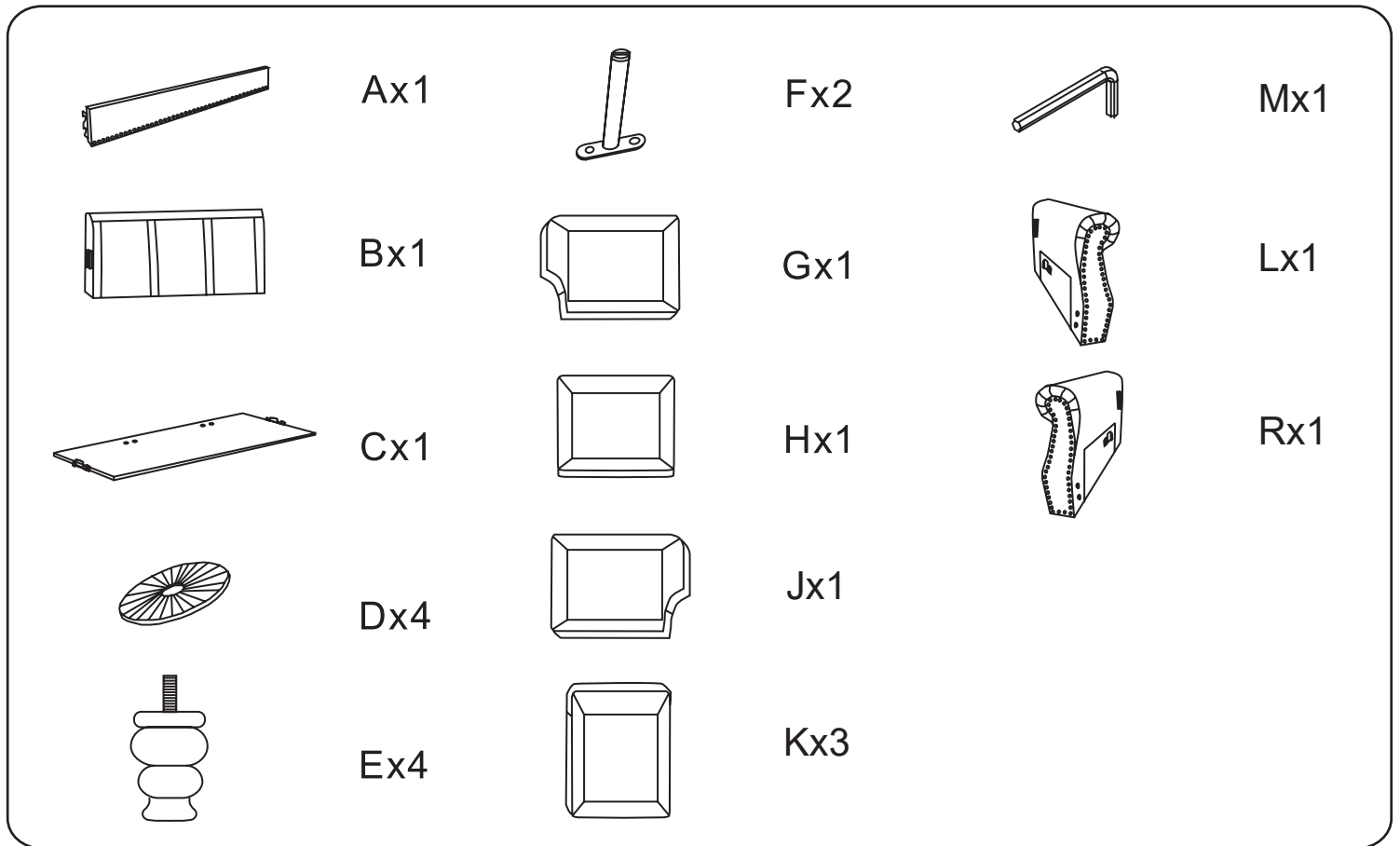


DO NOT over tighten screws or use a drill. It will damage the product.



If you need further assistance with assembling your product, please chat with us at **Amazon**


Parts



Hardware

 Dx4

 Fx2

 Mx1



There are inner box(es) that include components required to complete this assembly.



Please do not completely tighten all the hardware, until the entire assembly is complete.



Before discarding the packaging, please use the checklist to ensure that you have all the parts required to assemble your product. Please kindly note you will need the original package if you want to return the product later.



If parts are missing or damaged, we will gladly ship your replacements parts free of charge. Please contact us at **Amazon**



x1



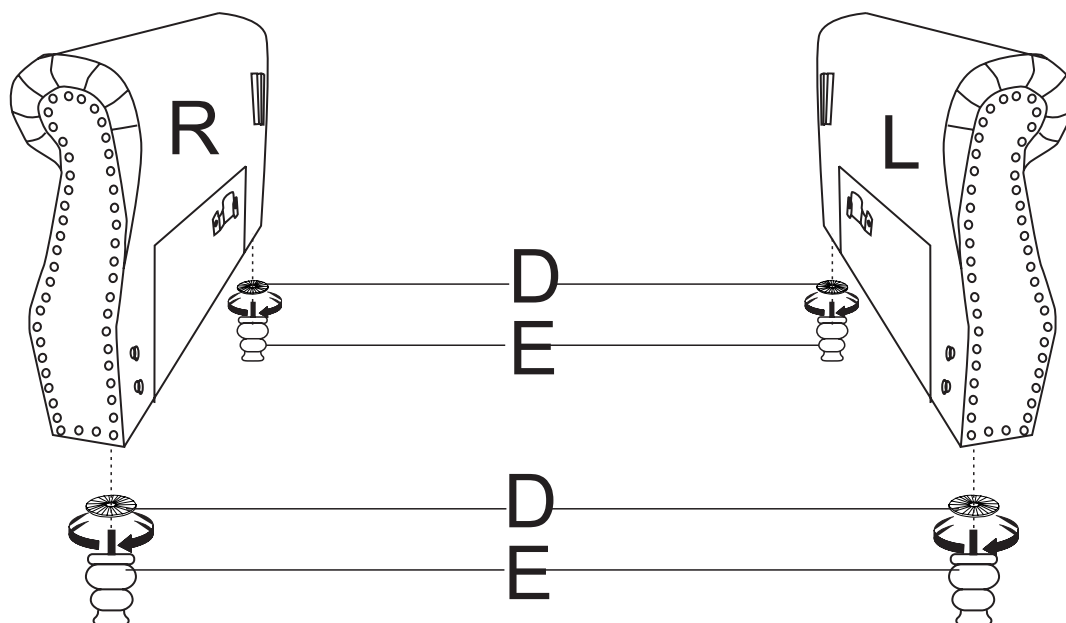
x2



20mins

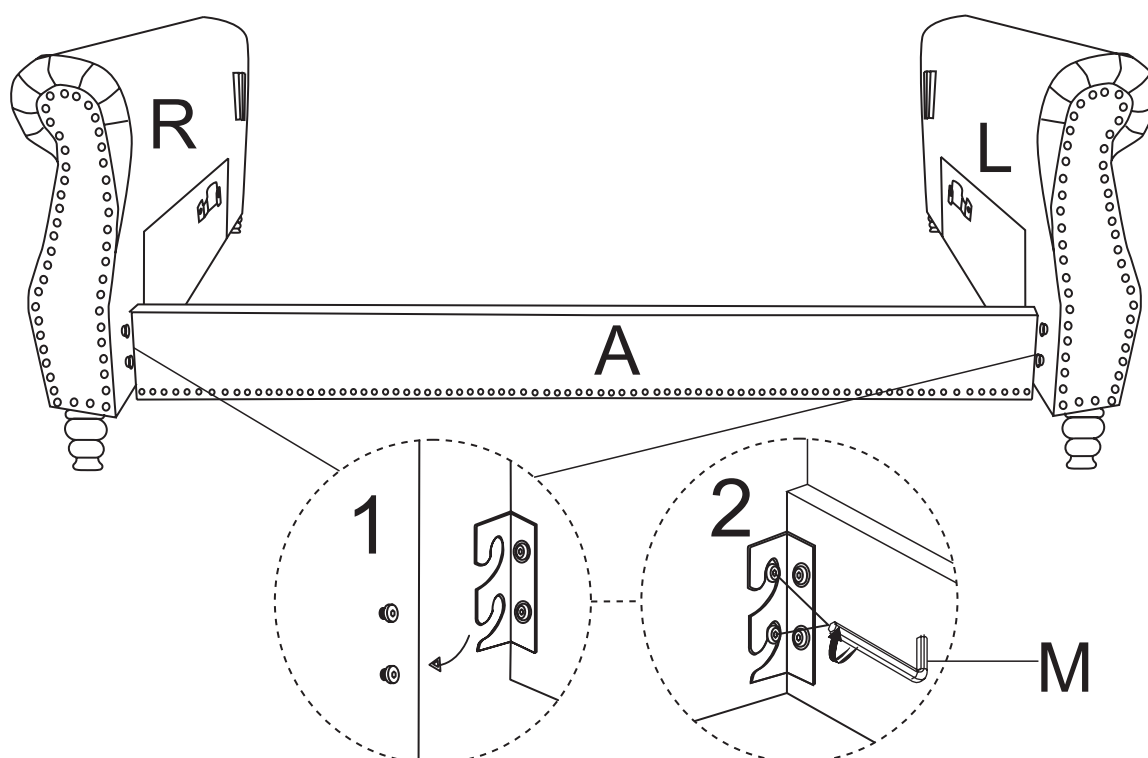
Step 1

First remove all fittings and check that nothing is missing.
Then attach the sofa feet E to the left armrest L and the right armrest R using the spacers D.



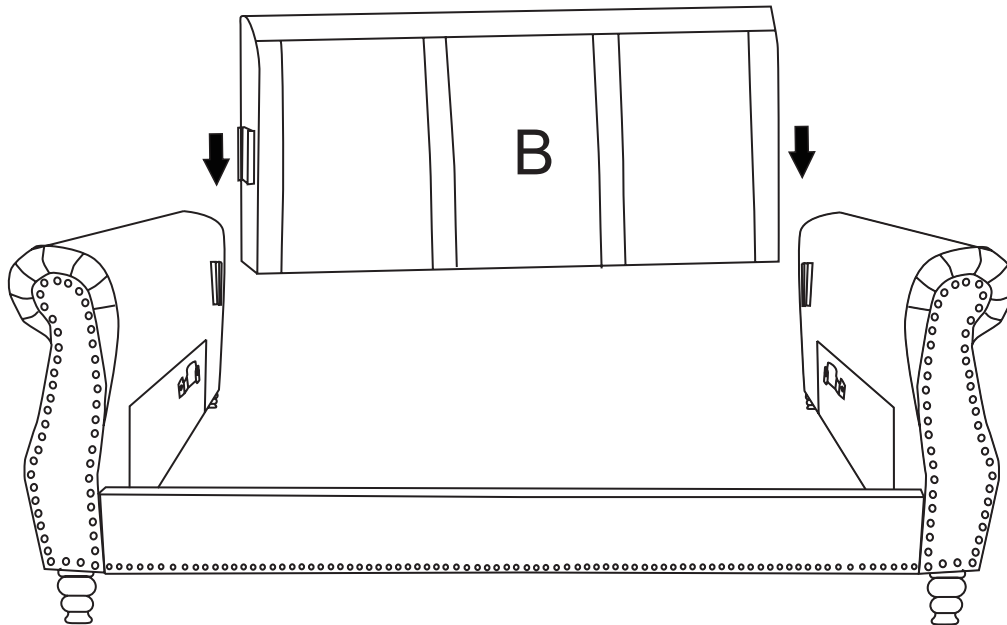
Step 2

Attach the front fender A to the left and right armrests,
and then tighten the connection screws with spanner M.



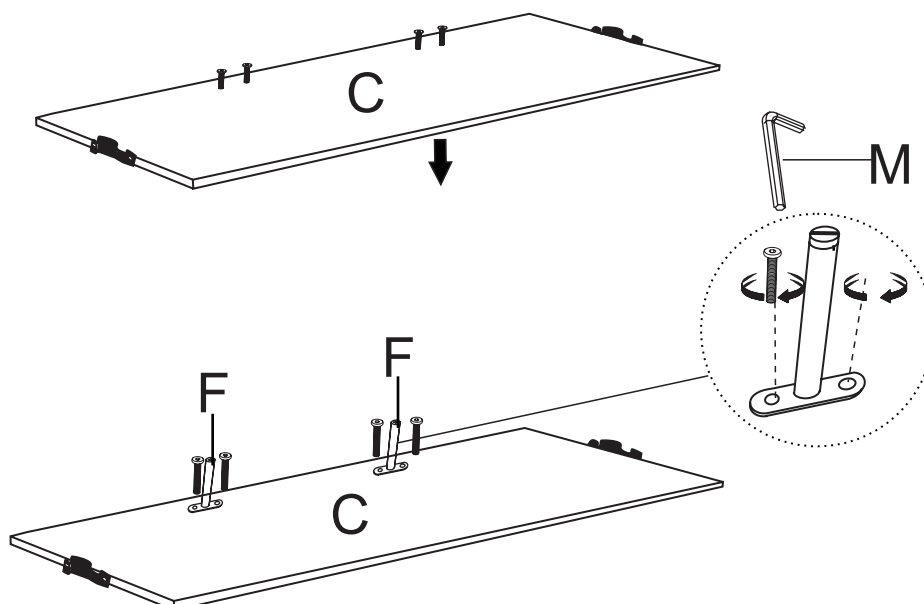
Step 3

Align the pins on both sides of the backrest panel B with the pins on the left and right armrests, and press to slide the inserts into place.



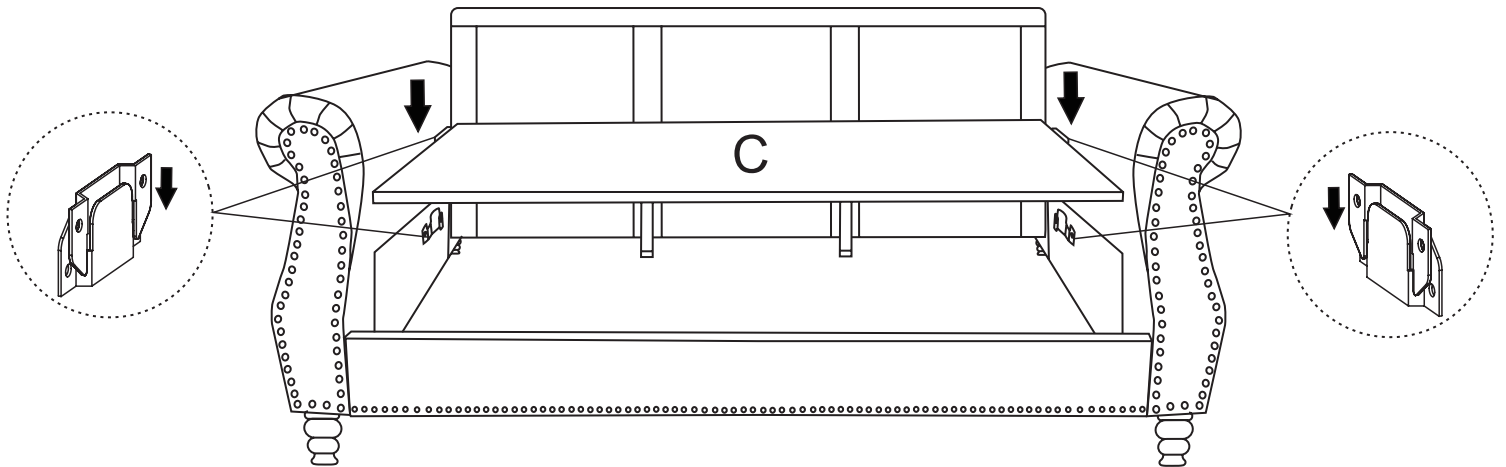
Step 4

Unscrew the embedded adjusting foot nails, attach foot nails to seat plate C



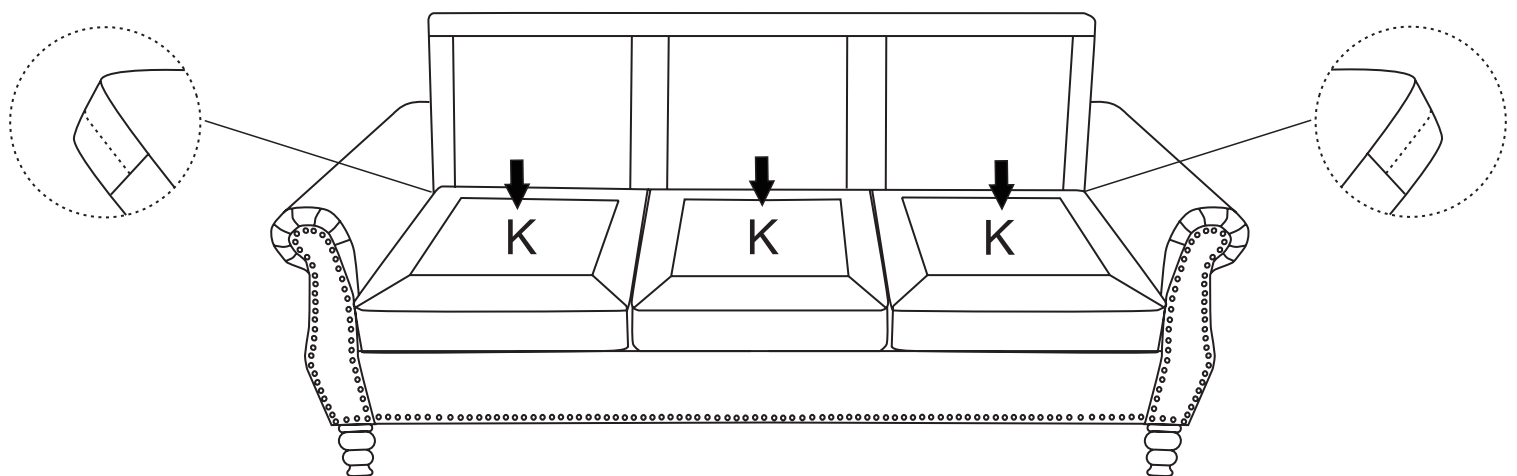
Step 5

Align and fasten the pins of the seat plate C to the inserts of the left and right armrests while pressing appropriately to hold the seat plate in place.



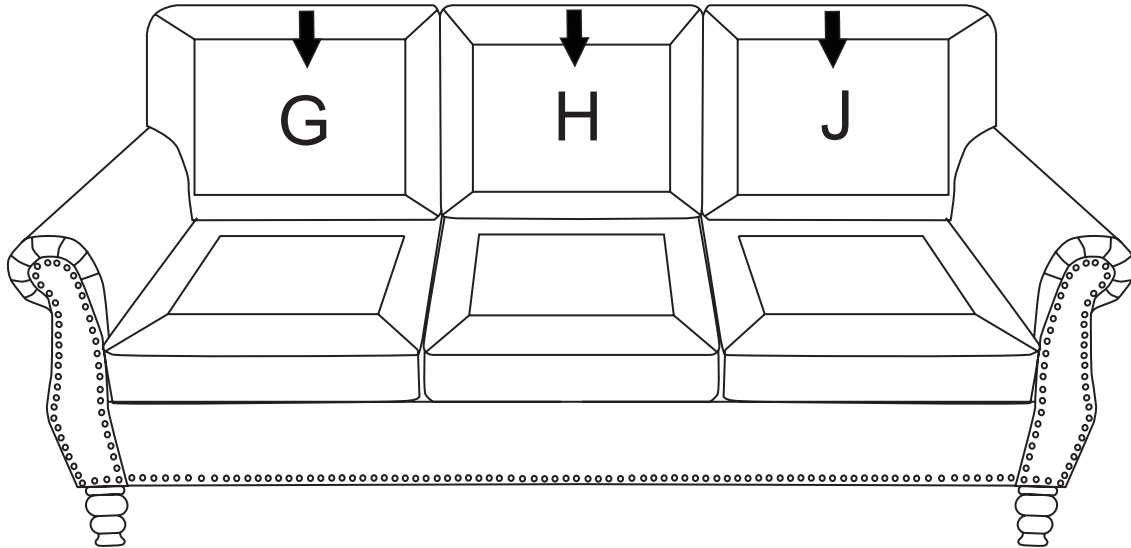
Step 6

Place the three seat cushions K in the correct position on the sofa seat.

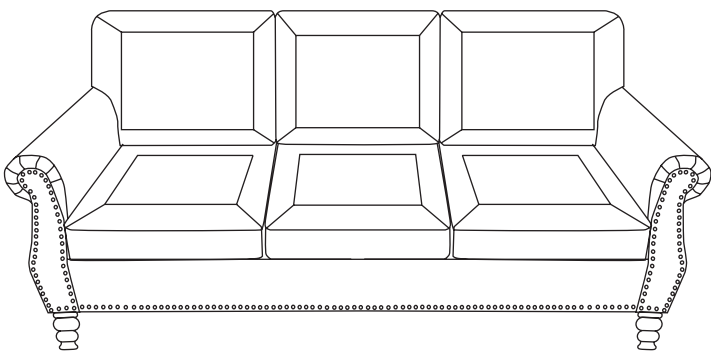


Step 7

Arrange the three cushions in the numbered positions in the picture.



Finished!



Congratulations! We're almost there! Please perform following checks to ensure assembly is properly done.

- Have you tighten all the screws? Sit on the couch to check if the legs are shaky.
- Are the back cushions and armrests fixed properly
Try pushing them to check if they are tightly in position.
- Adjust and pull the fabric upholstery to remove any wrinkles and ensure correct placement.

Move your product carefully, with 2 people lifting it to the preferred location. Clean the product with a damp cloth. You are all set!

Enjoy your fresh and updated living space thanks to the addition of your new product!

Care Instructions

JUST ADD TLC! Your furniture, if treated with respect and love, will last you a long time. Each piece requires light maintenance to maximise daily comfort and improve its longevity. Like anything, if you treat it well, that kindness will be repaid back to you. Your furniture is designed to support you and put a smile on your face. It is there to enhance your home, and your life.

1. Position the sofa away from direct sunlight or use curtains or blinds to limit the exposure.
2. Clean the sofa regularly with a dry, soft cloth or a vacuum cleaner with a soft attachment.
3. To remove stubborn stains on fabric, blot affected area immediately with a soft cloth soaked in warm water and mild soap. Then clean off using a dry cloth.
4. Take care not to clean with excessive rubbing. It may damage the weave and discolor the fabric.
5. We recommend fixing felt pads underneath the sofa to prevent scratches on the floor. Placing a rug underneath can also add the right amount of protection and shine to your living space!
6. For optimal care, you should distribute the weight evenly on the cushion regularly.

Follow the care instructions and look after your furniture, in return, your furniture will look after you.

We hope to see you soon!