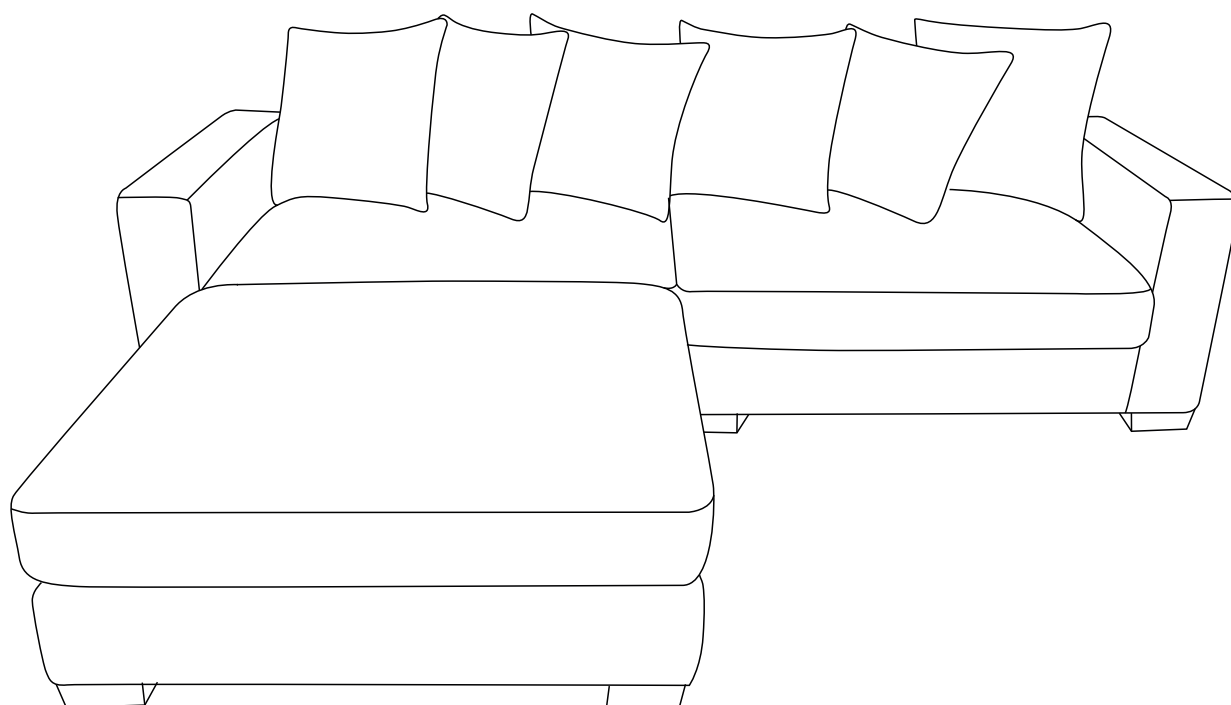


# Assembly Instructions

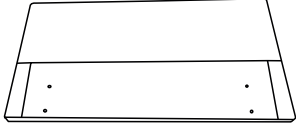

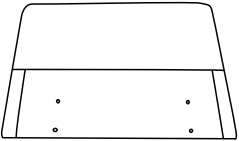
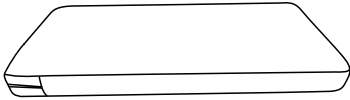

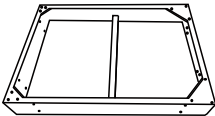
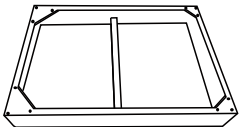
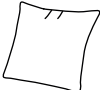
SOFA 062



Please read this manual carefully before any operation and keep it properly for future use.

# Assembly Instructions

## Parts List

A		Back frame	2
B		Left arm	1
C		Right arm	1
D		Cushion	2
E		Cushion	1
F		Seat	2
G		Seat	1
H		Pillow	6

# Assembly Instructions

## Parts List

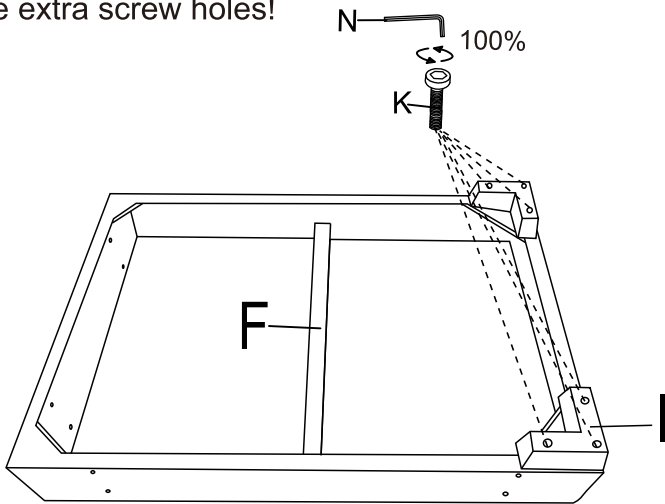
I		Foot	12
J-1		Screw	12
J-2		Screw	12
K-1		Screw	12
K-2		Screw	12
K-3		Screw	12
L-1		Gasket nut	16
L-2		Gasket nut	16
M		Wrench	1
N		Wrench	1

# Assembly Steps

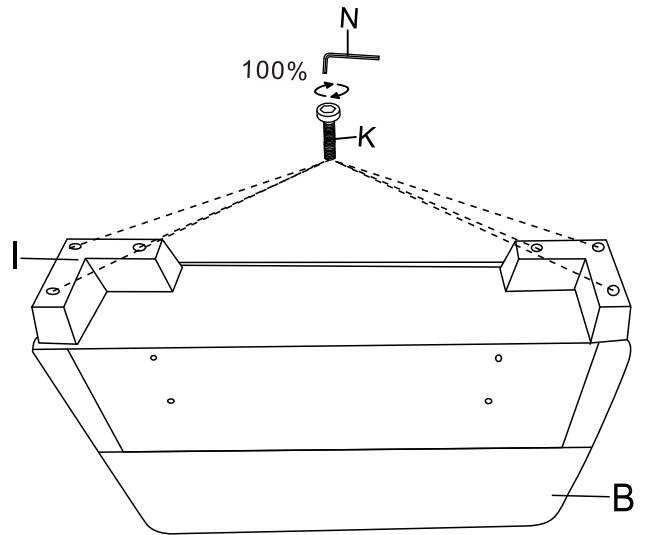
## Left seat

### Step 1

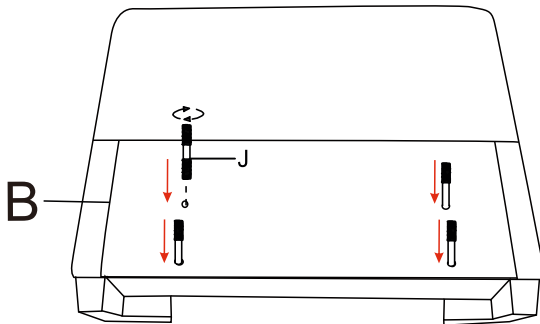
Note: The foot only needs to be installed on one side, and there is no need to be surprised if there are extra screw holes!



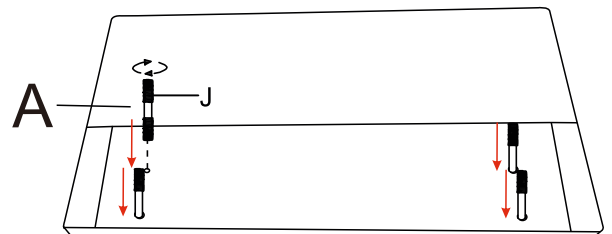
### Step 2 Left arm



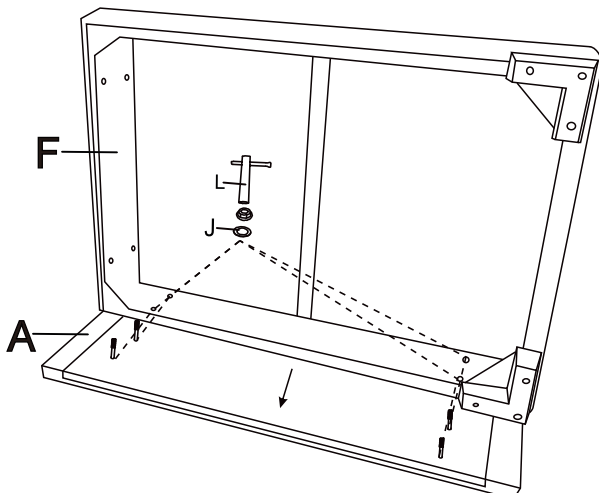
### Step 3



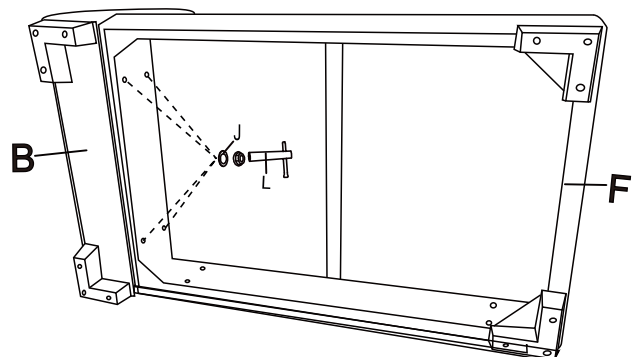
### Step 4



### Step 5



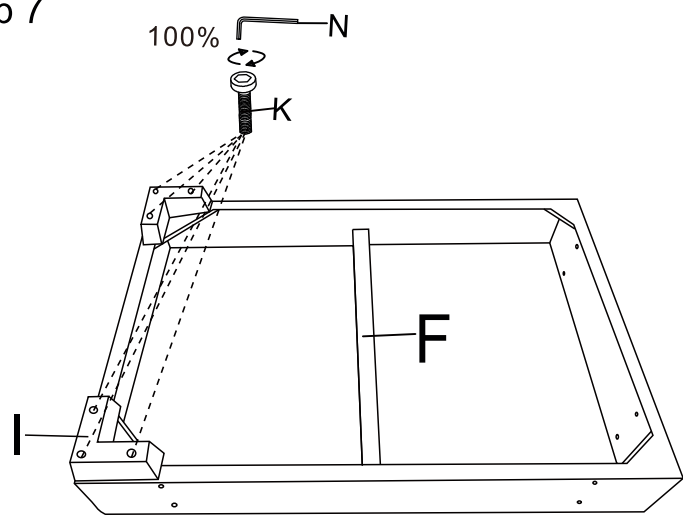
### Step 6



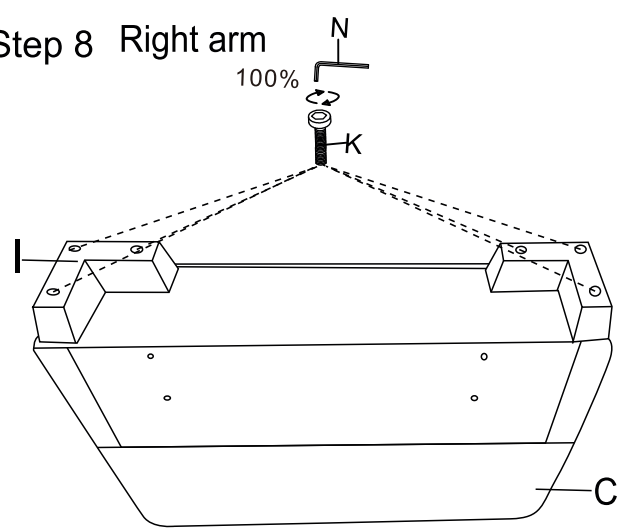
# Assembly Steps

## Right seat

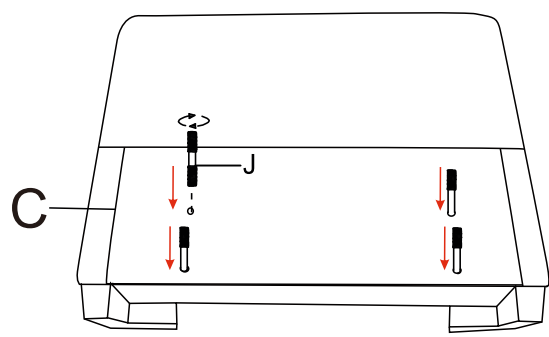
Step 7



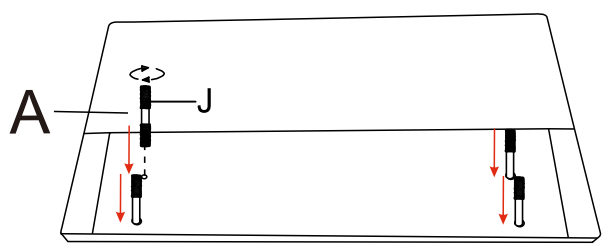
Step 8 Right arm



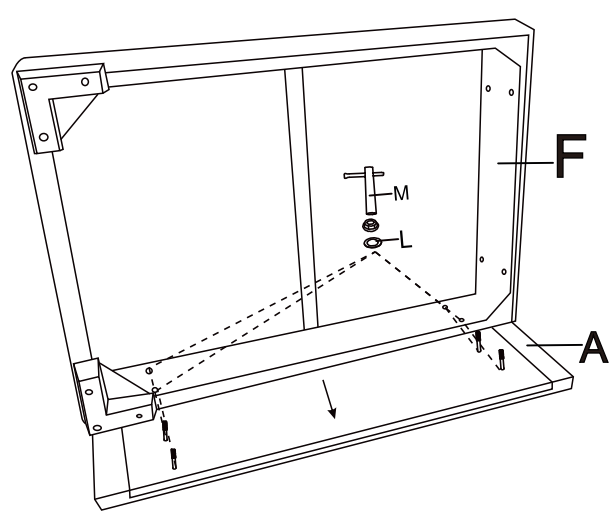
Step 9



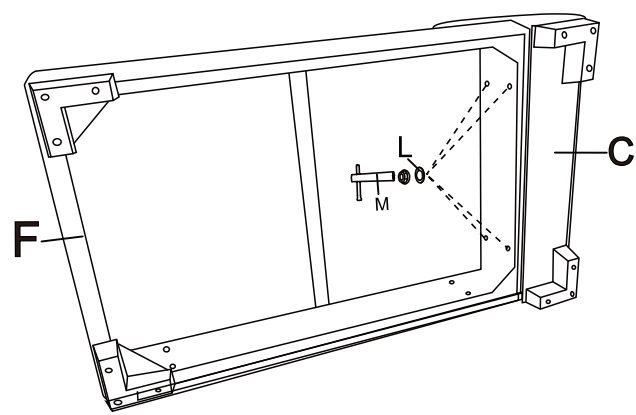
Step 10



Step 11

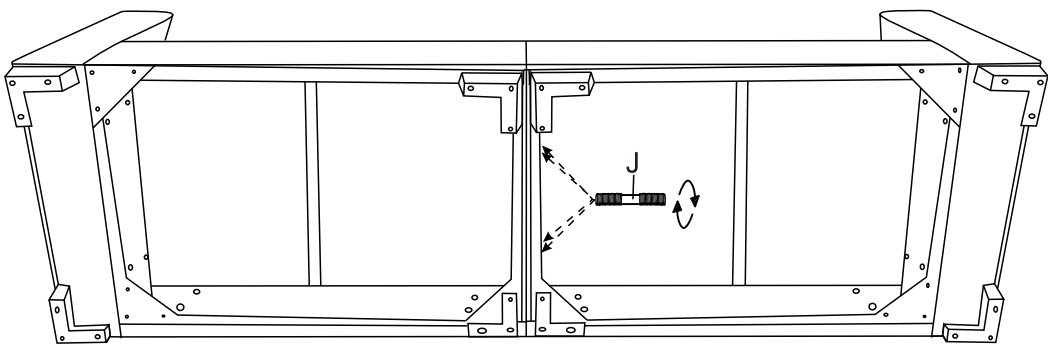


Step 12

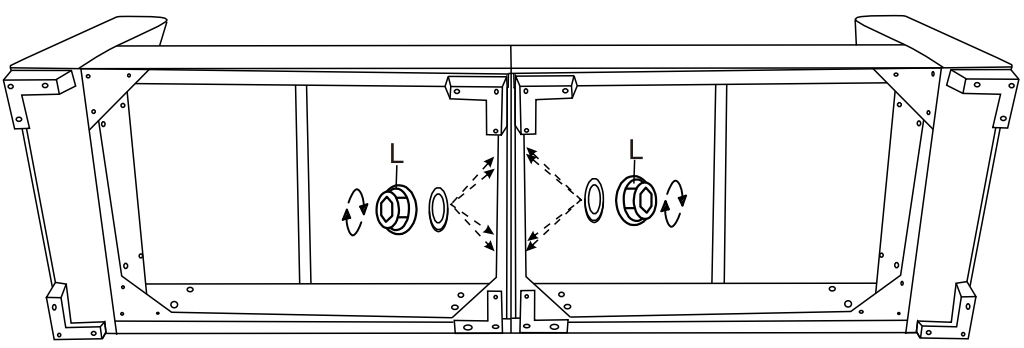


# Assembly Steps

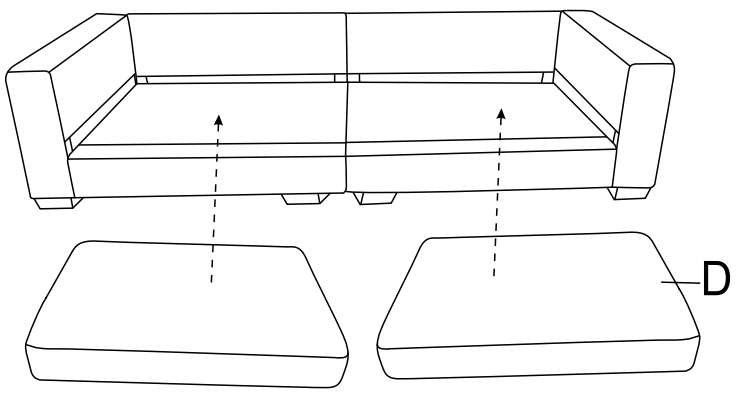
Step 13



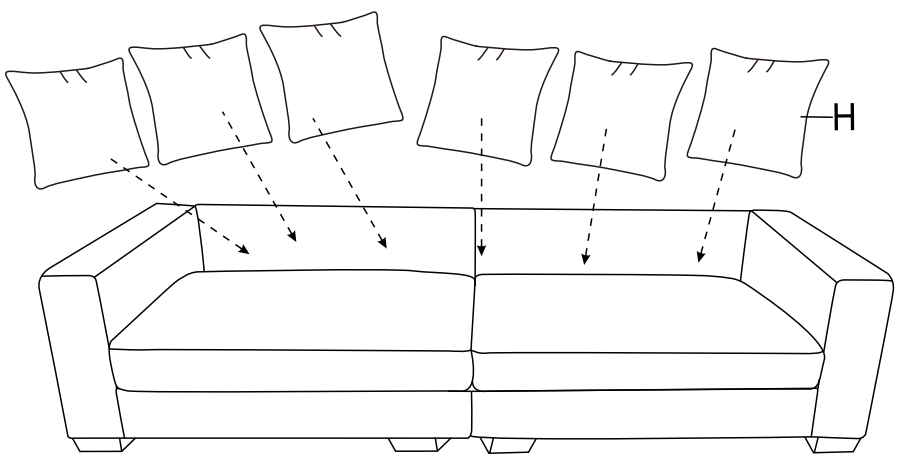
Step 14



Step 15

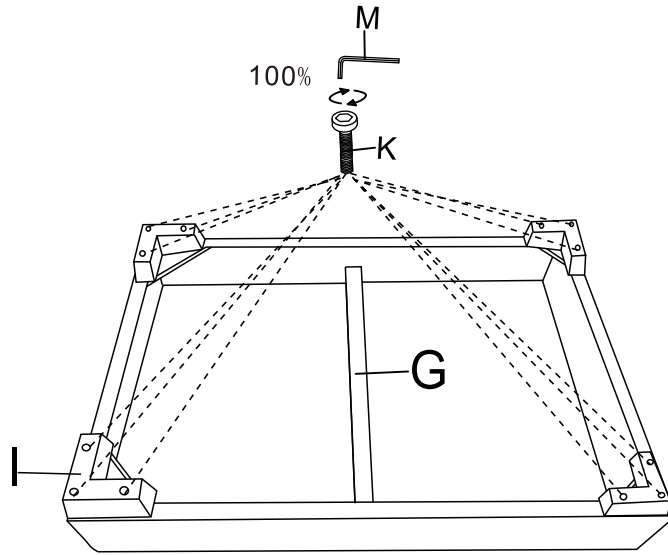


Step 16

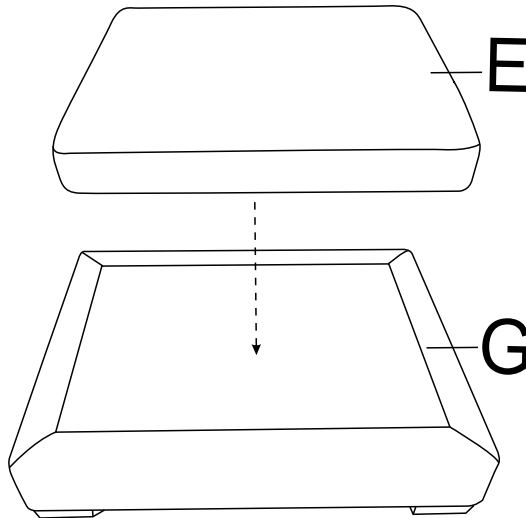


# Assembly Steps

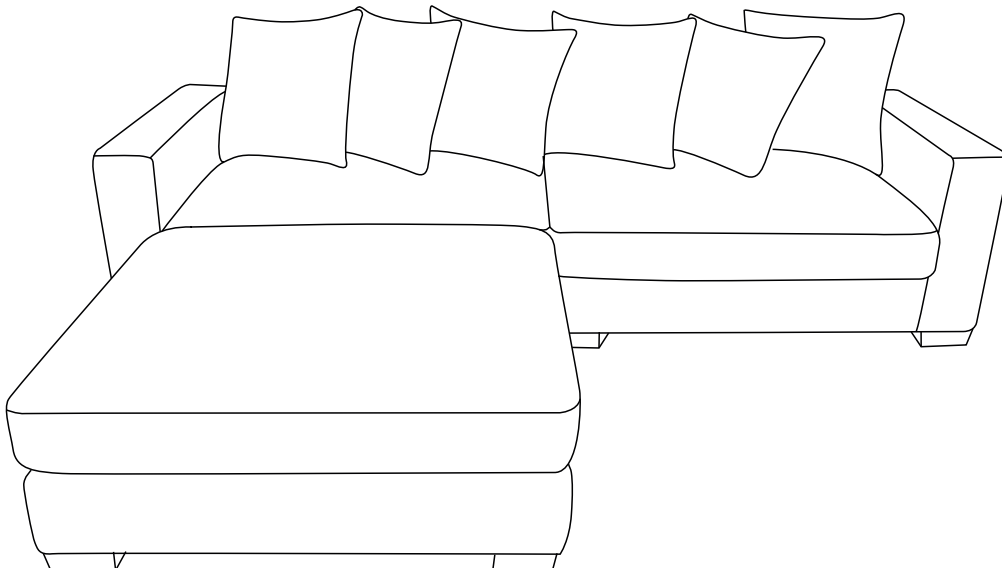
## Step 17



## Step 18

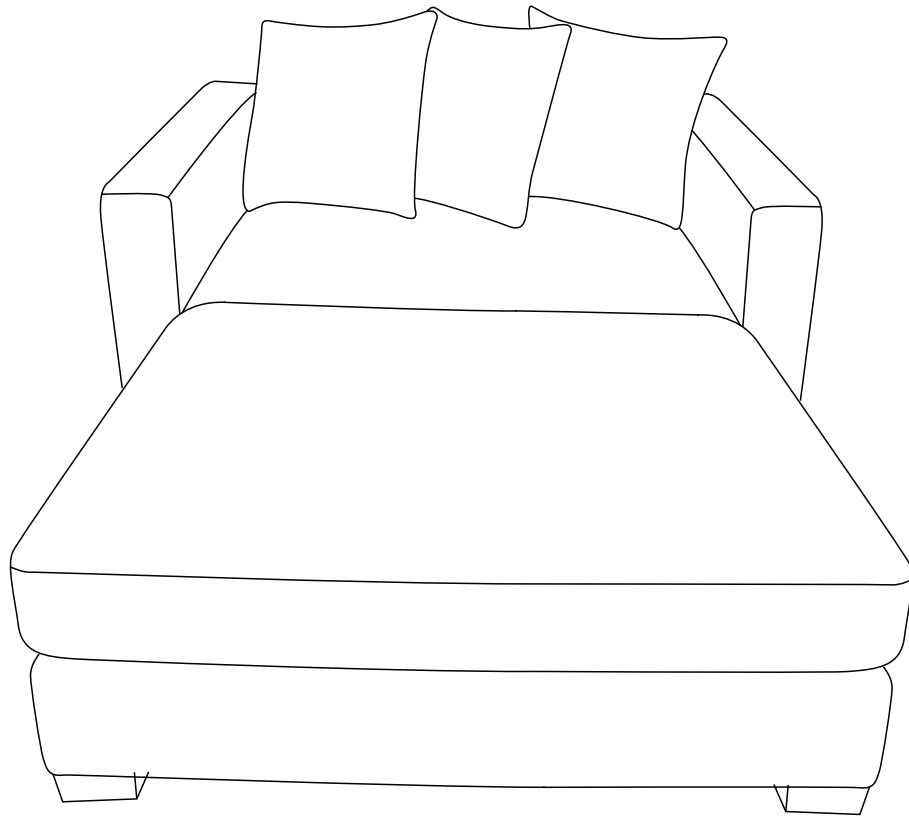


## Step 19



# Assembly Instructions


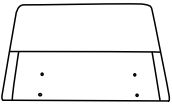
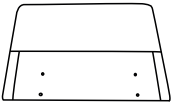
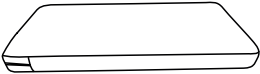
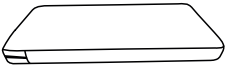
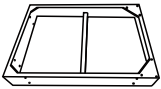
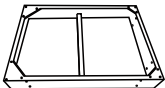

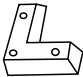

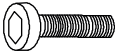
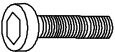


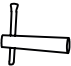

SOFA 062



Please read this manual carefully before any operation and keep it properly for future use.

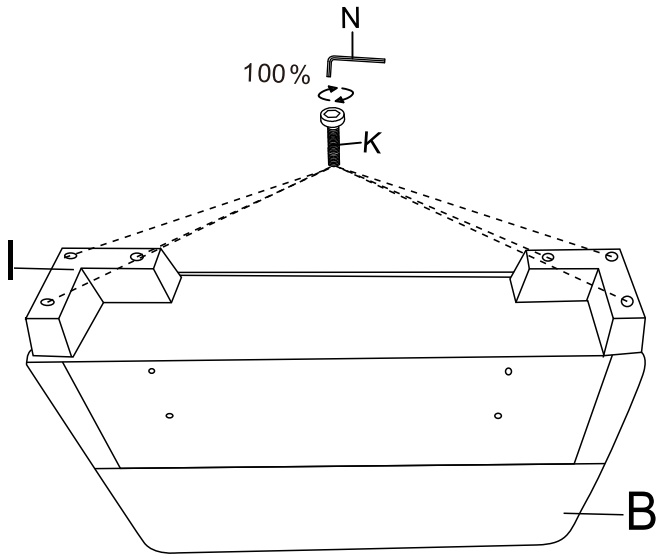
# Assembly Instructions

## Parts List

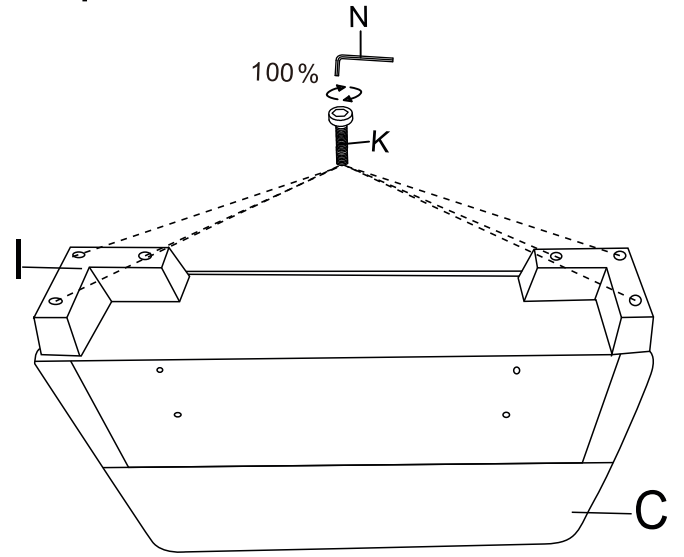
A		Back frame	1
B		Left arm	1
C		Right arm	1
D		Cushion	1
E		Cushion	1
F		Seat	1
G		Seat	1
H		Pillow	3
I		Foot	8
J		Screw	12
K-1		Screw	12
K-2		Screw	12
L-1		Gasket nut	12
L-2		Gasket nut	12
M		Wrench	1
N		Wrench	1

# Assembly Steps

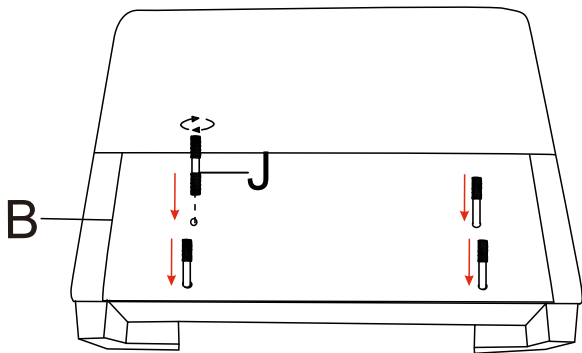
## Step 1



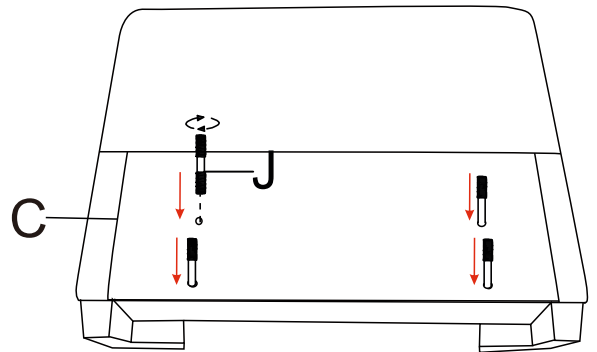
## Step 2



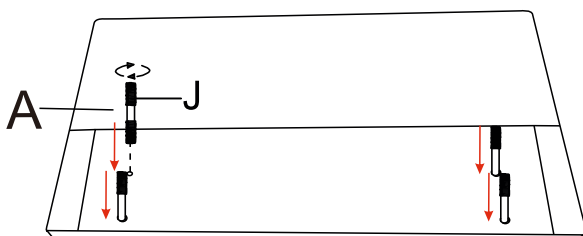
## Step 3



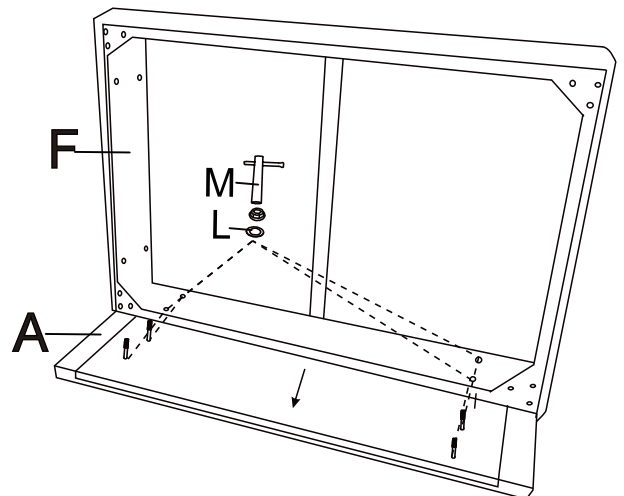
## Step 4



## Step 5

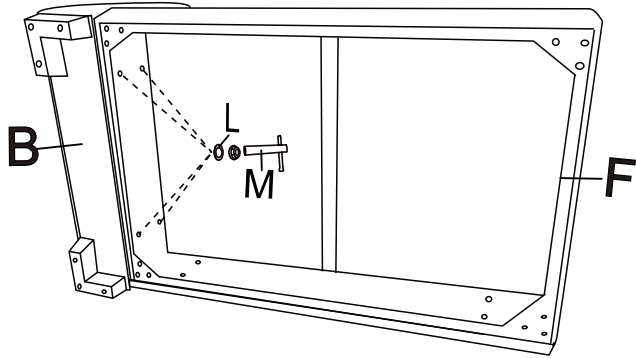


## Step 6

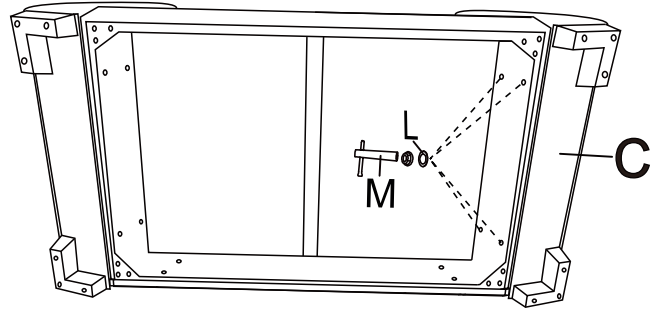


# Assembly Steps

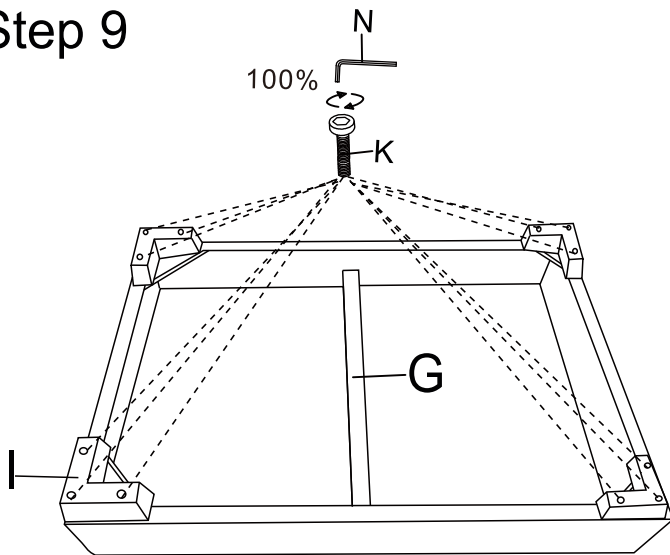
## Step 7



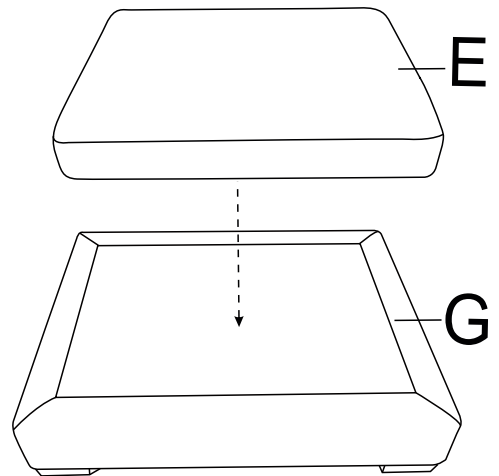
## Step 8



## Step 9



## Step 10



## Step 11

