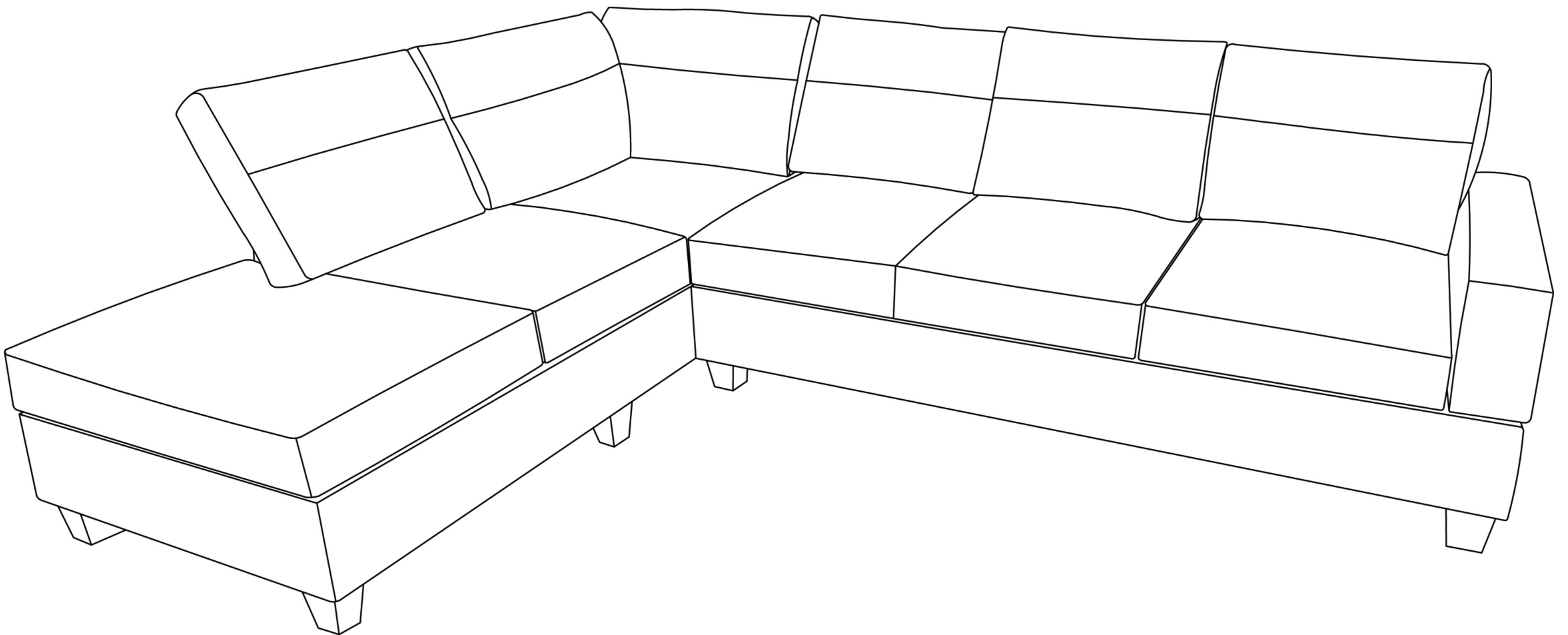


Assembly instructions

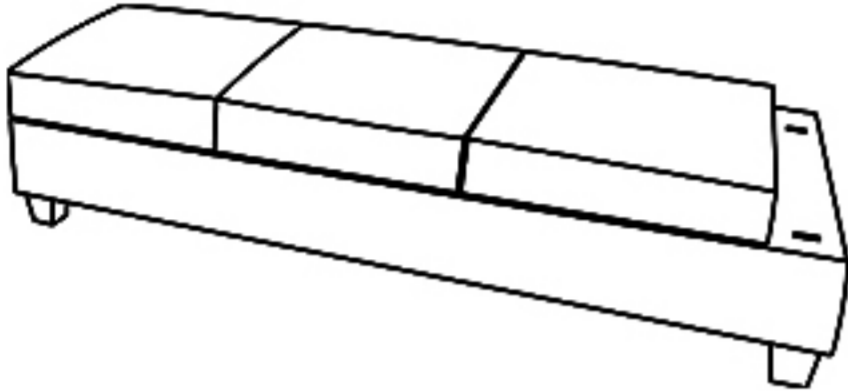
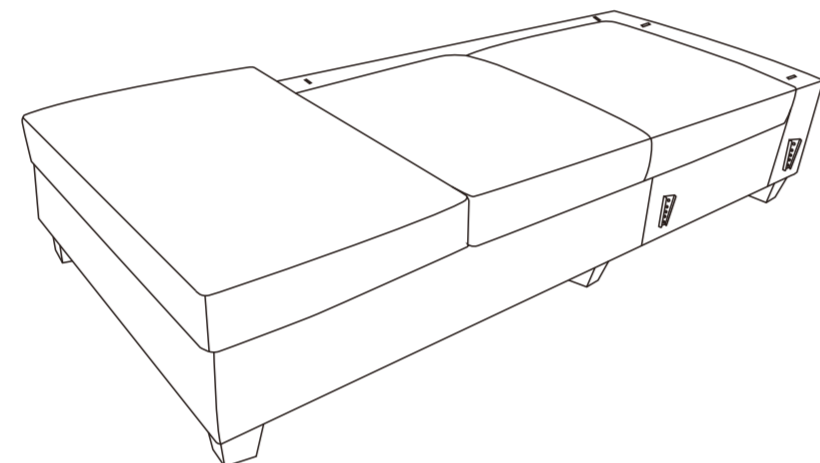


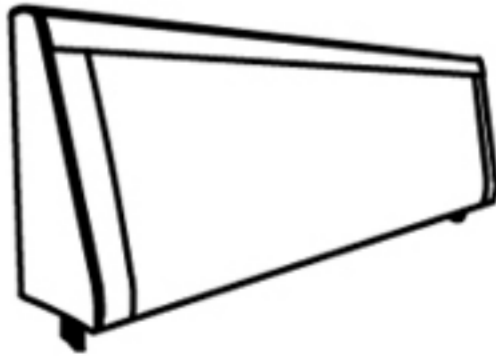
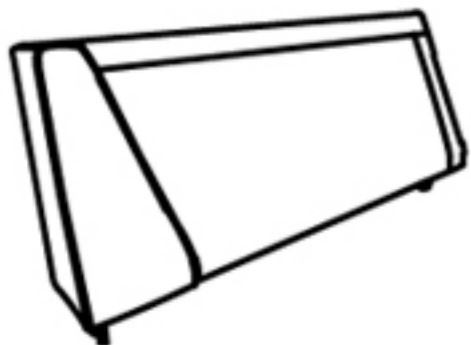
Your chair comes packaged in two boxes. Carefully remove all of components from the packaging and set aside for assembly.

CAUTION:
DO NOT use any sharp objects to open plastic wrapped components as damage to product or components may result.






ASSEMBLY INSTRUCTIONS

PARTS LIST

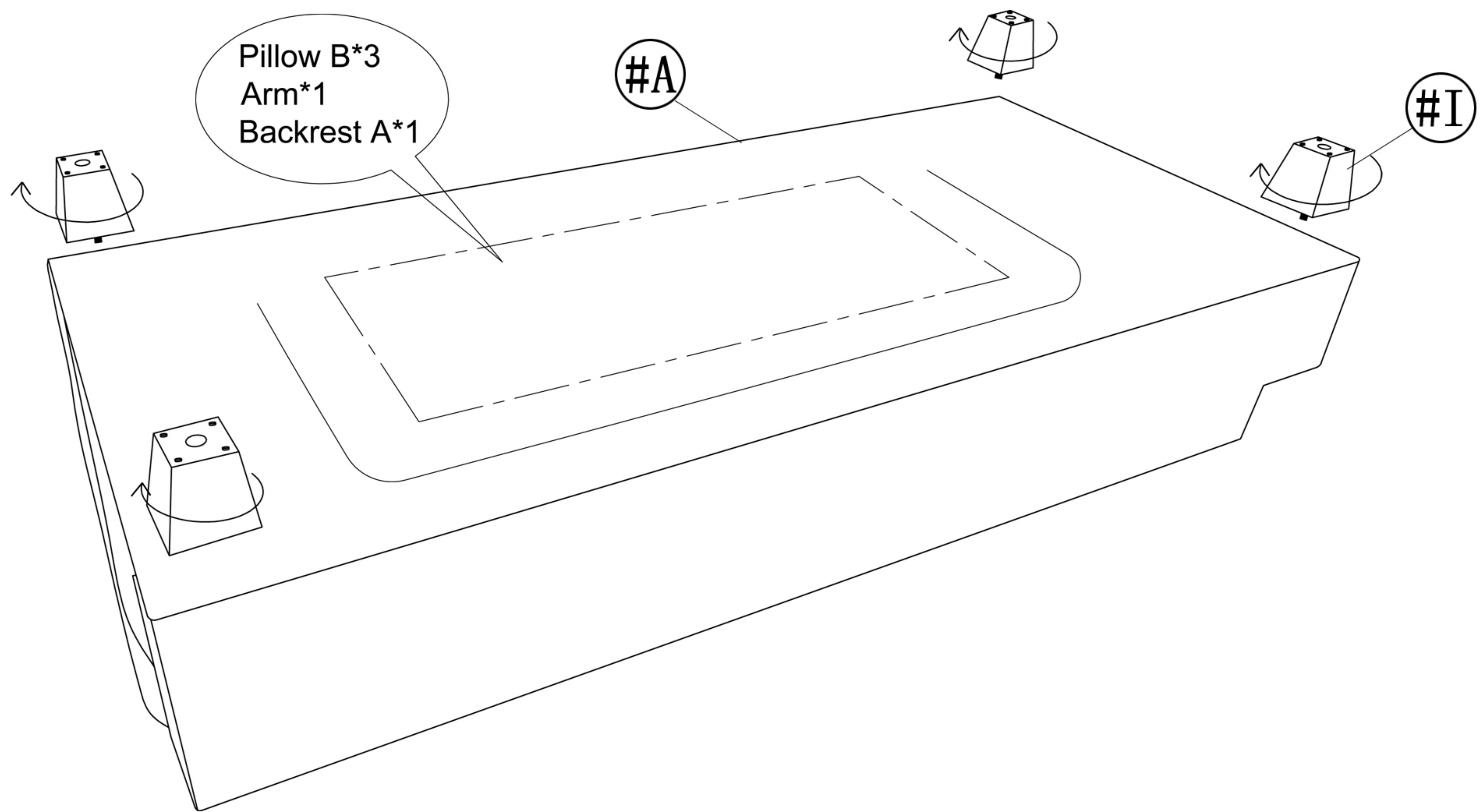
PART	DRAWING	DESCRIPTION	QTY
A		SOFA	1
B		SOFA-CHAISE	1
C		Arm	1
D		Backrest A	1
E		Backrest B	1
F		Backrest C	1

PARTS LIST

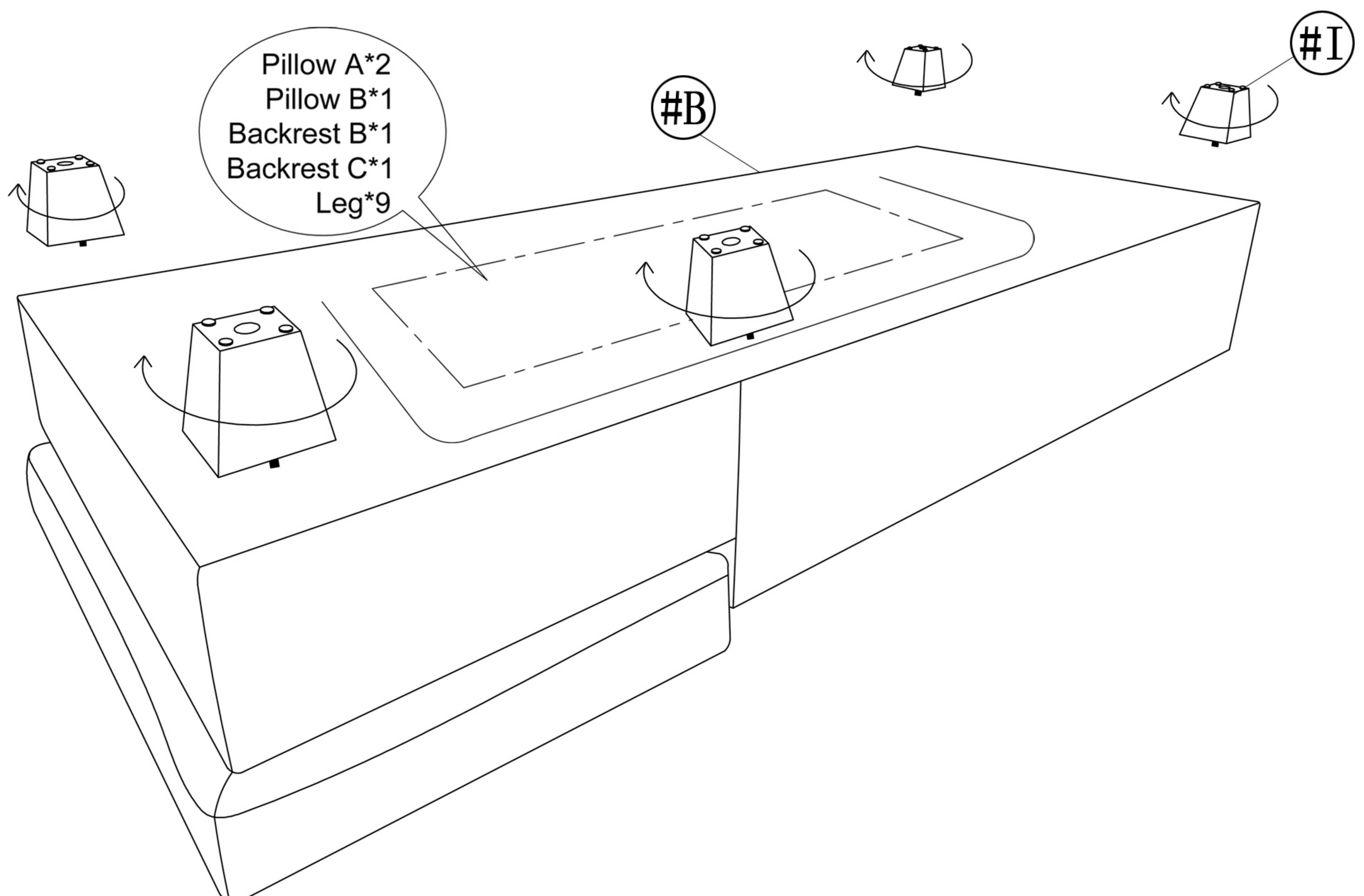
PART	DRAWING	DESCRIPTION	QTY
G		Pillow A	2
H		Pillow B	4
I		LEG	9

ASSEMBLY INSTRUCTIONS

STEP 1

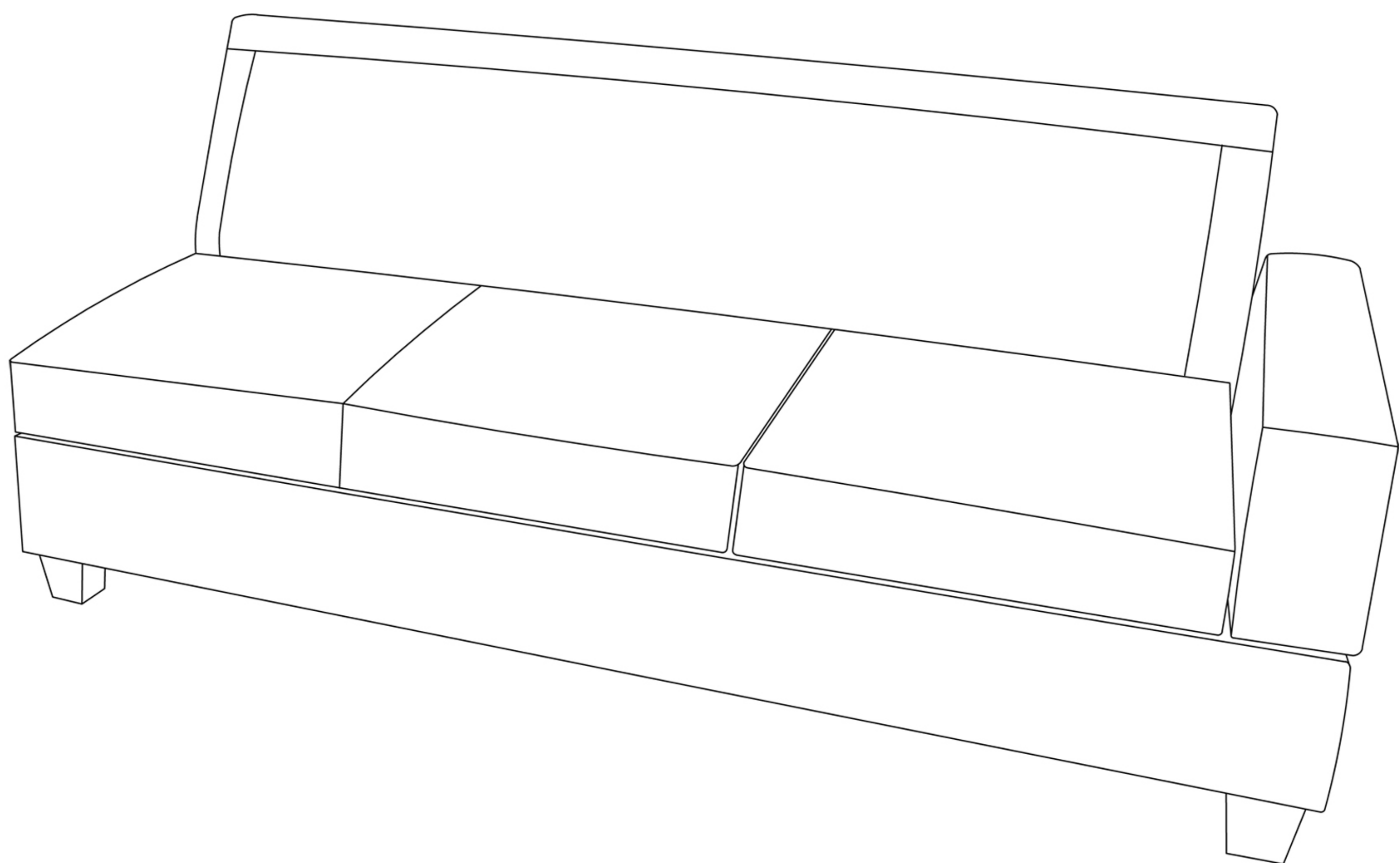
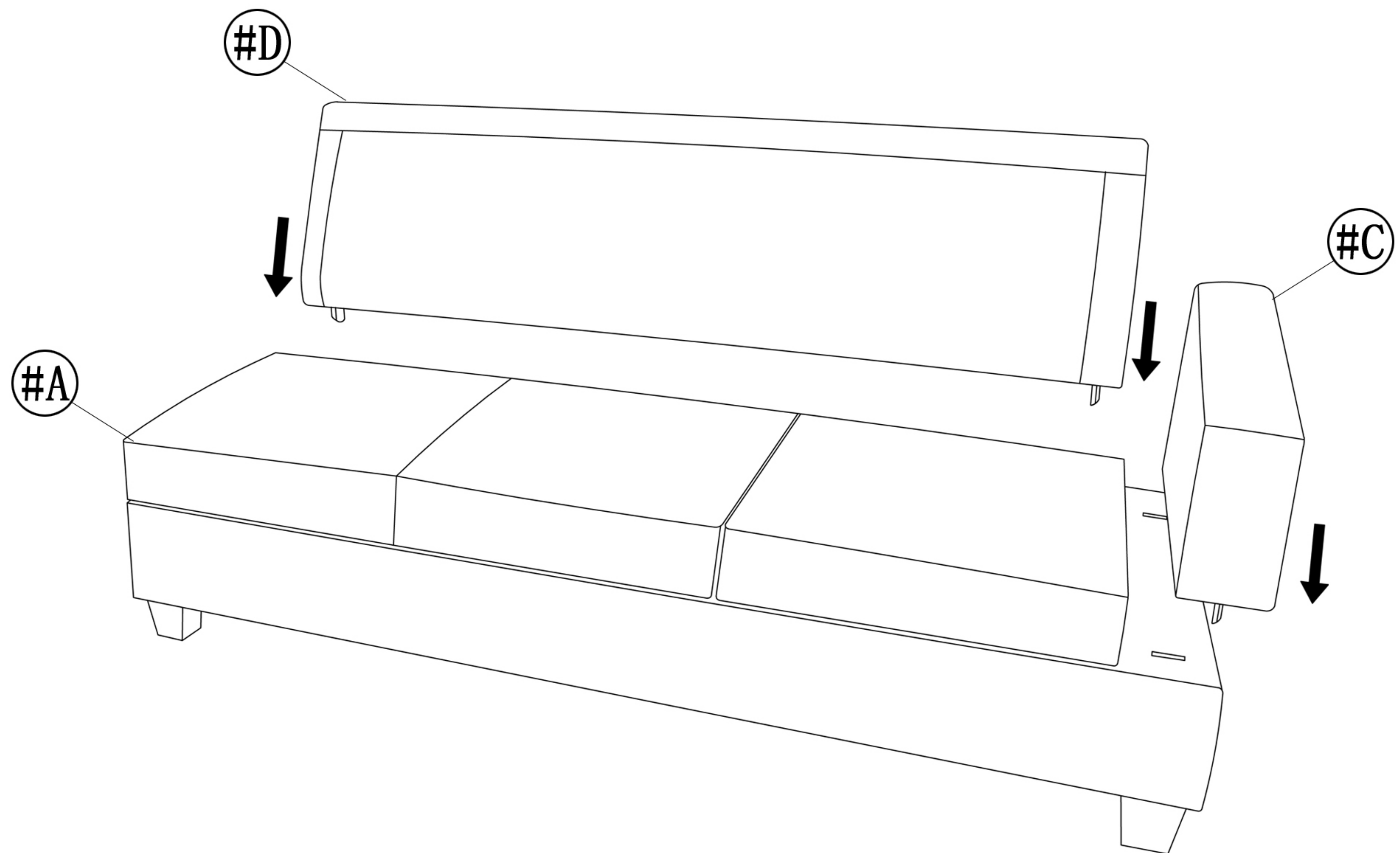


STEP 2



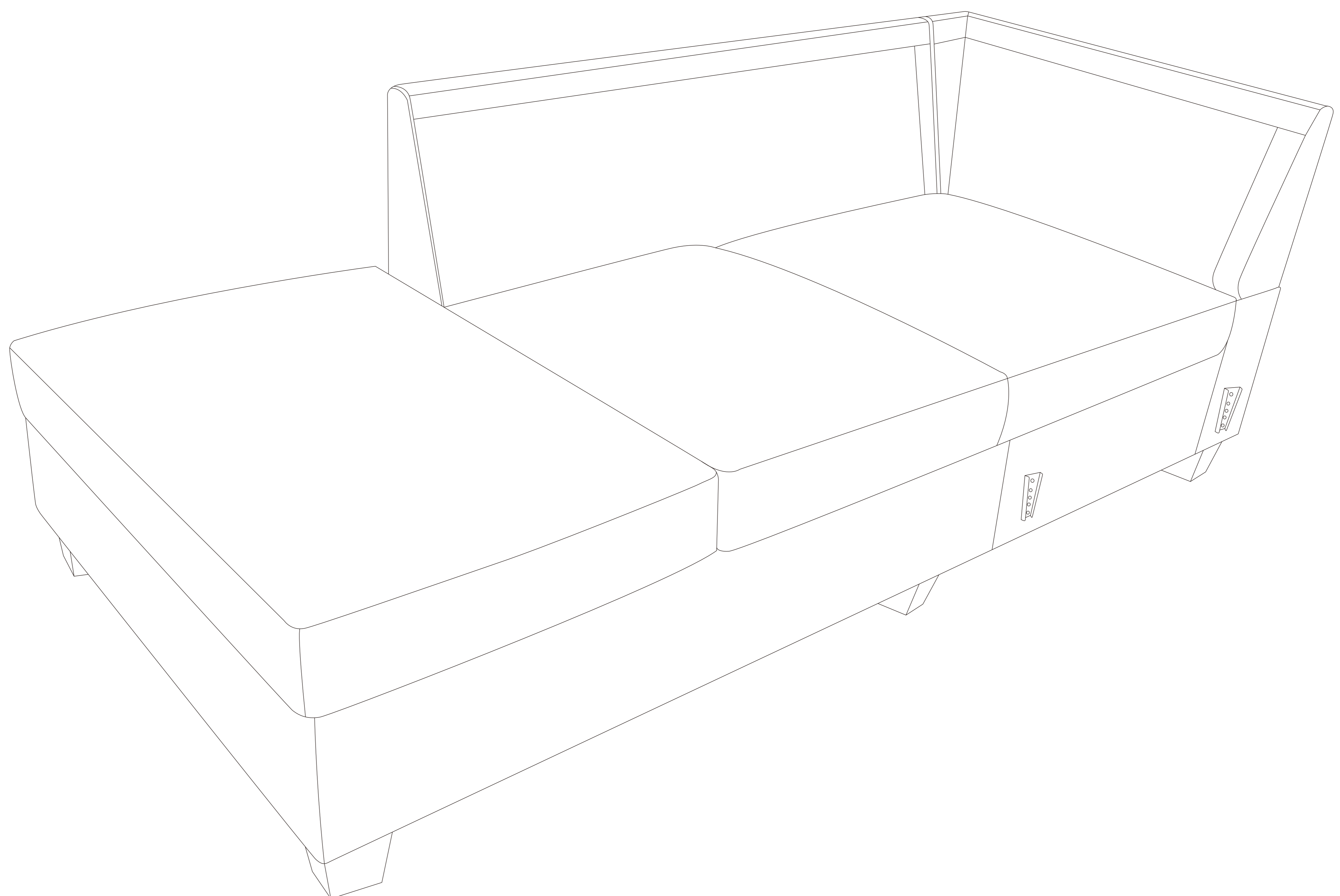
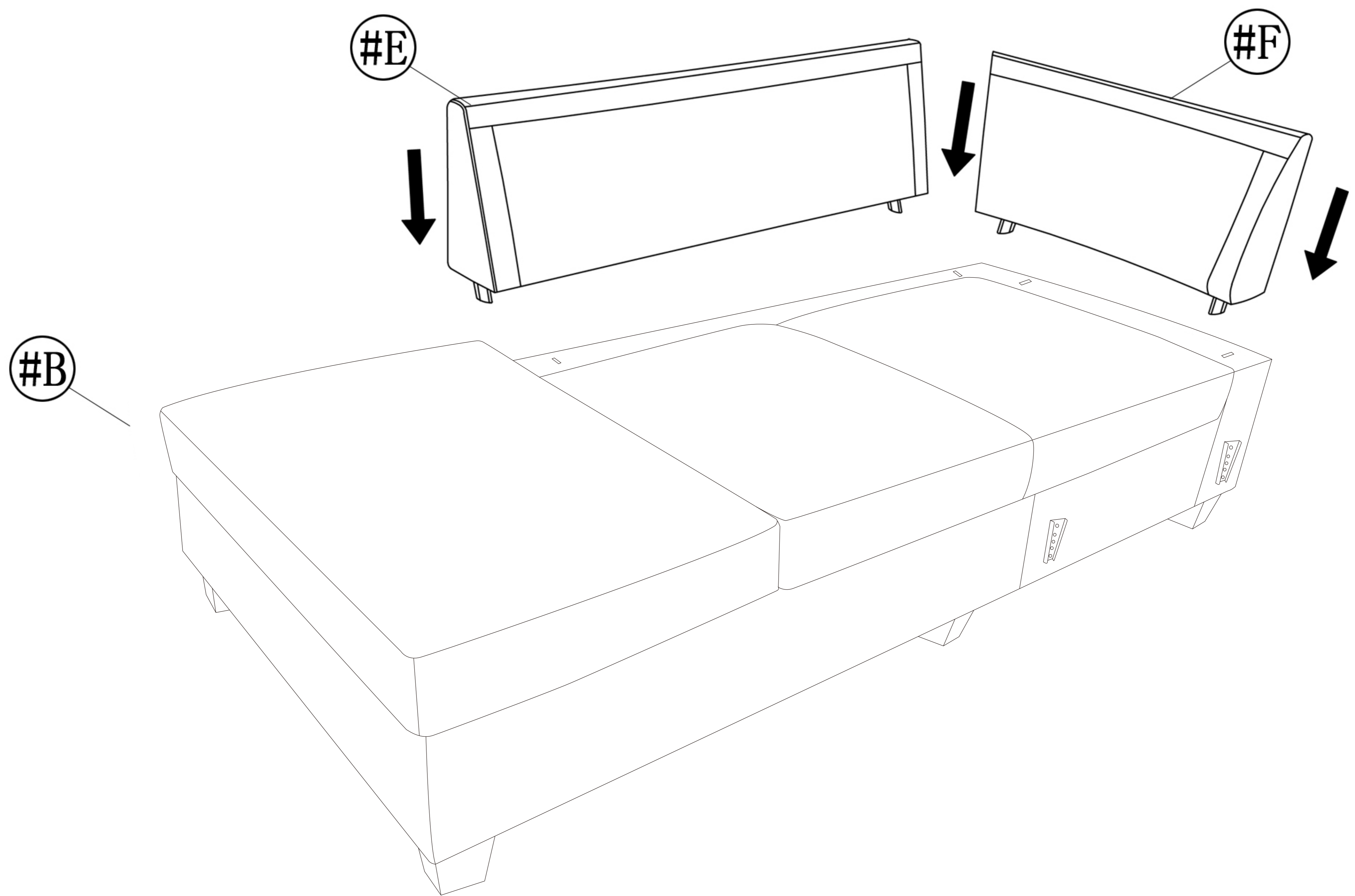
ASSEMBLY INSTRUCTIONS

STEP 3



ASSEMBLY INSTRUCTIONS

STEP 4



ASSEMBLY INSTRUCTIONS

STEP 5

