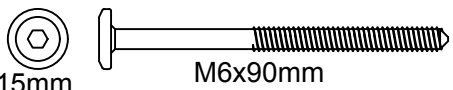

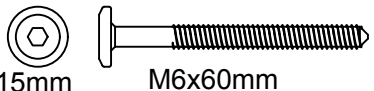
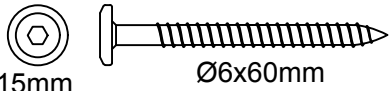

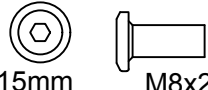

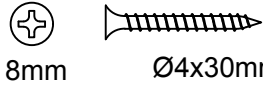
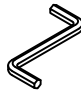
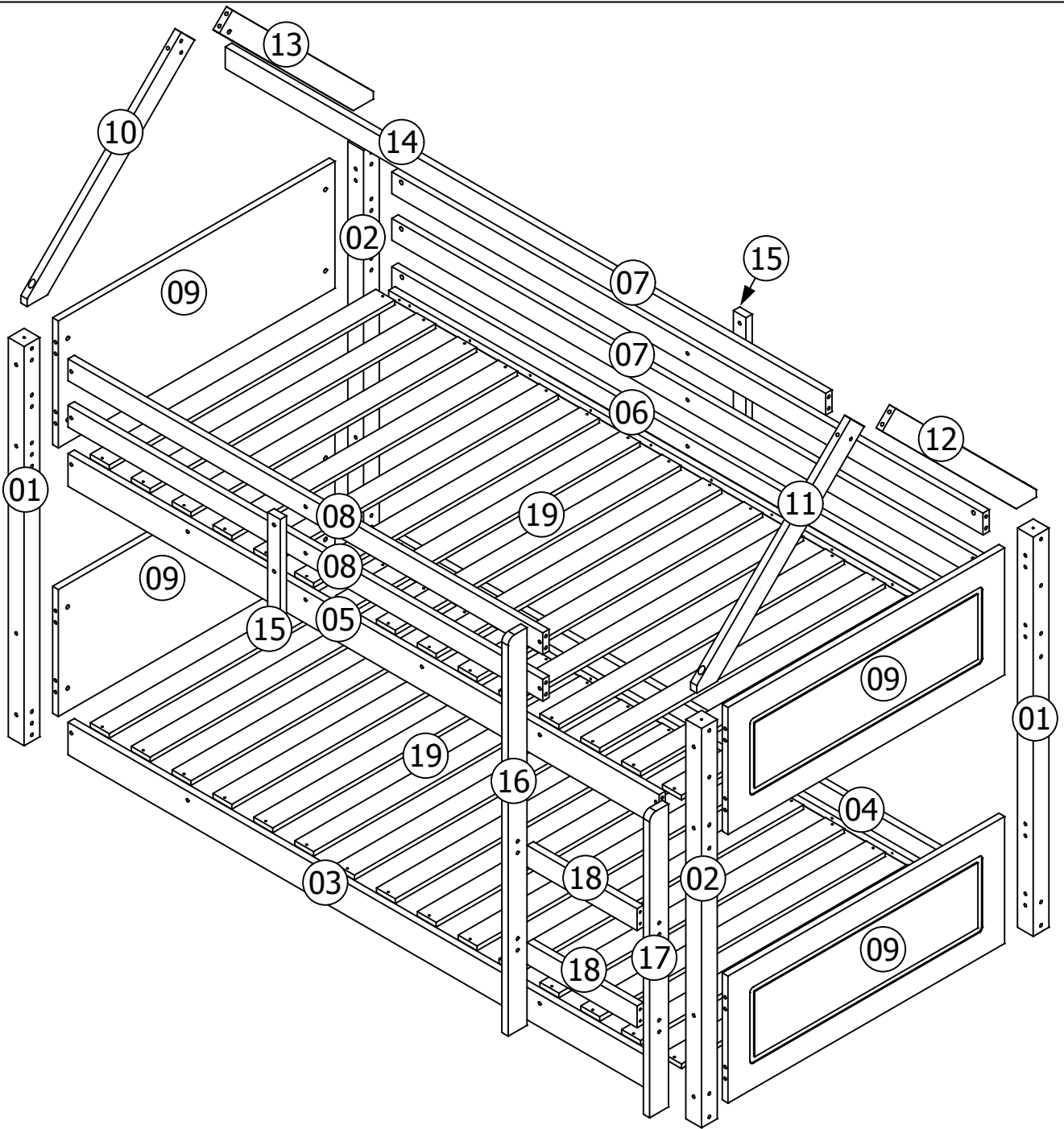


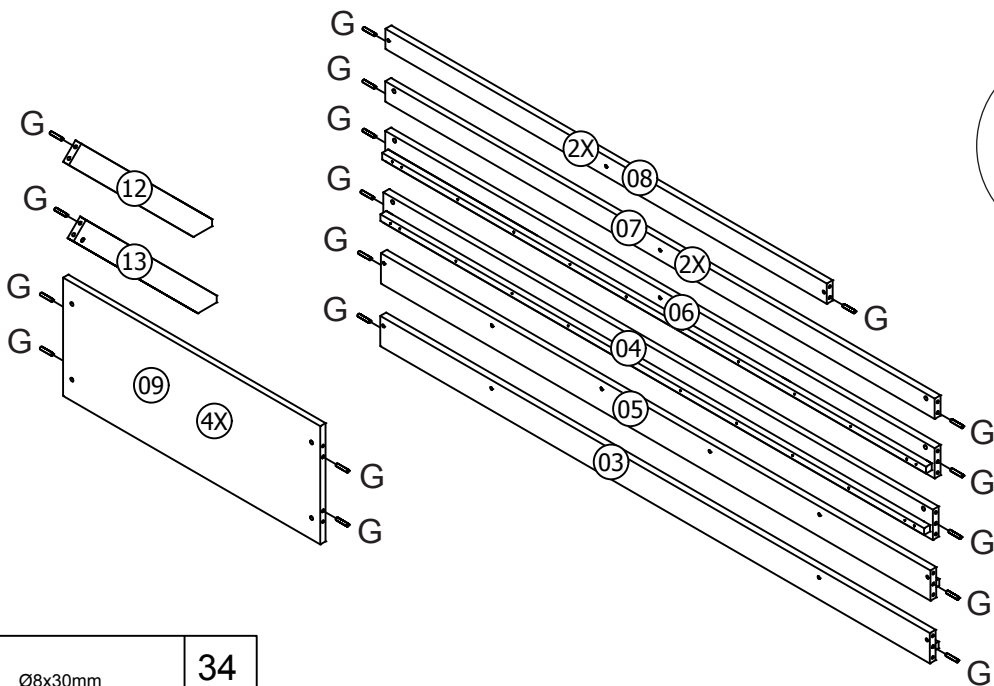
HARDWARE


A	 15mm M6x90mm	40
B	 Ø10x13mm	42
C	 15mm M6x60mm	02
D	 15mm Ø6x60mm	18
E	 15mm M6x25mm	06

F	 15mm M8x20mm	06
G	 Ø8x30mm	34
H	 8mm Ø4x30mm	60
I	 4mm	02



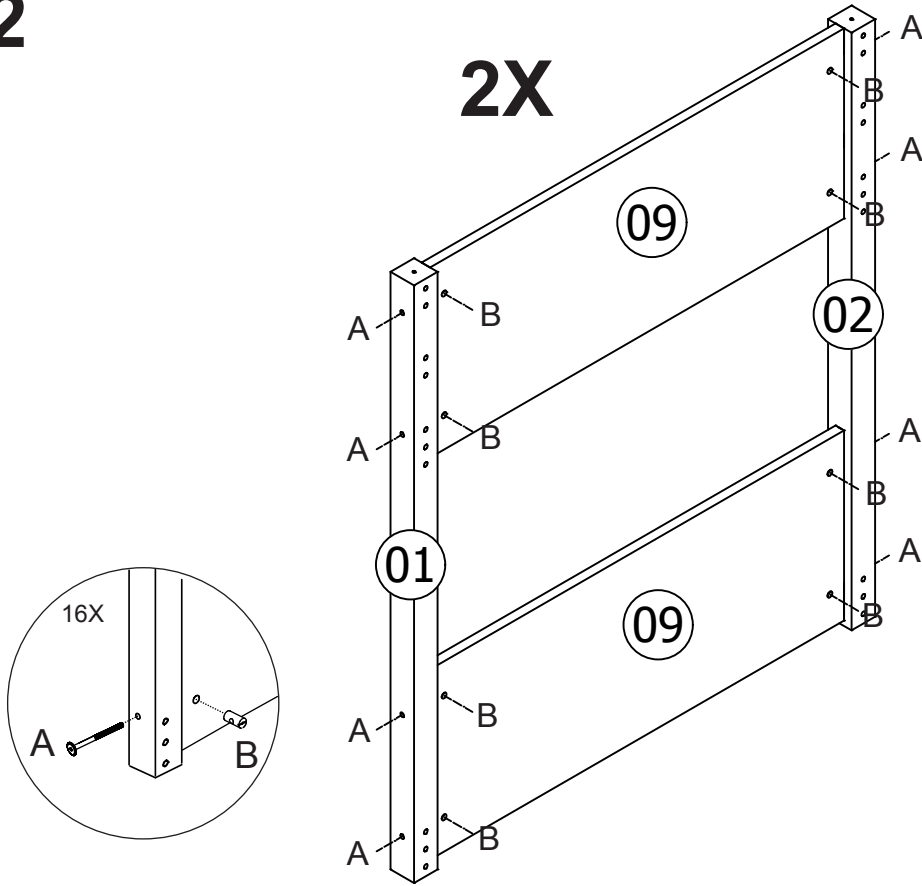
01


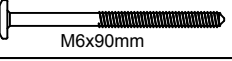



G	 Ø8x30mm	34
---	---	----

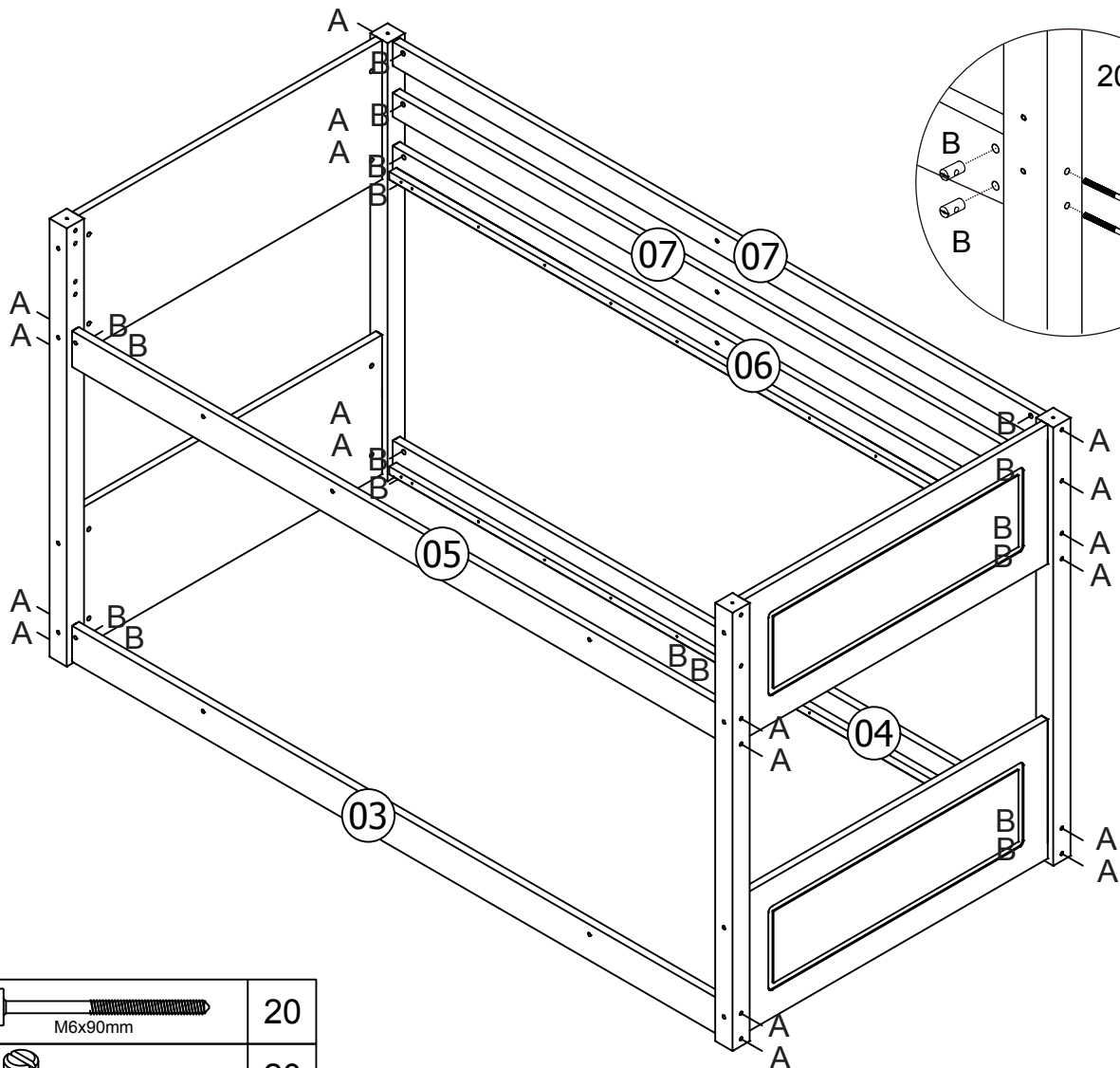
02


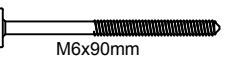

2X



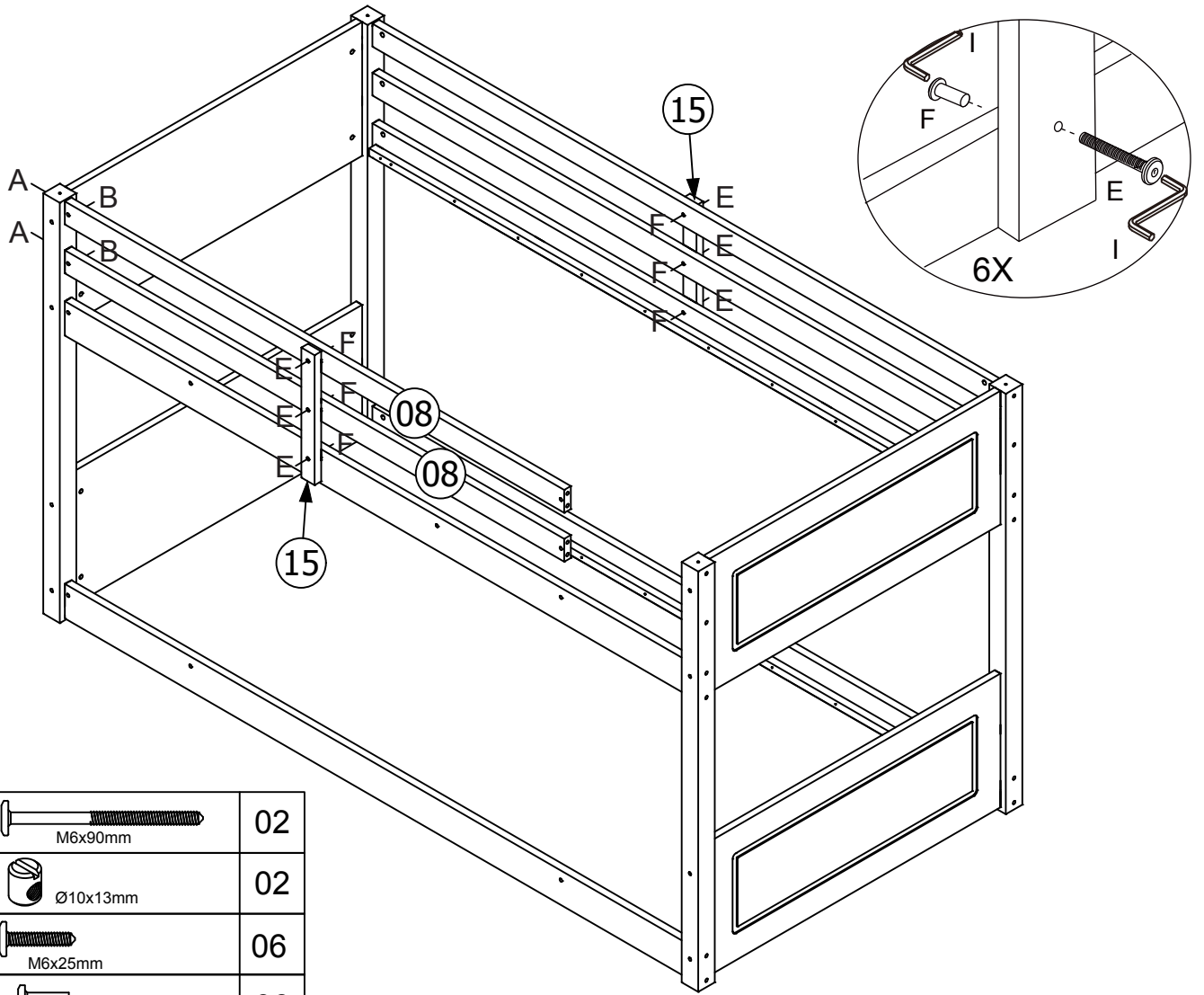
A	 15mm	 M6x90mm	16
B		Ø10x13mm	16







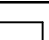
03



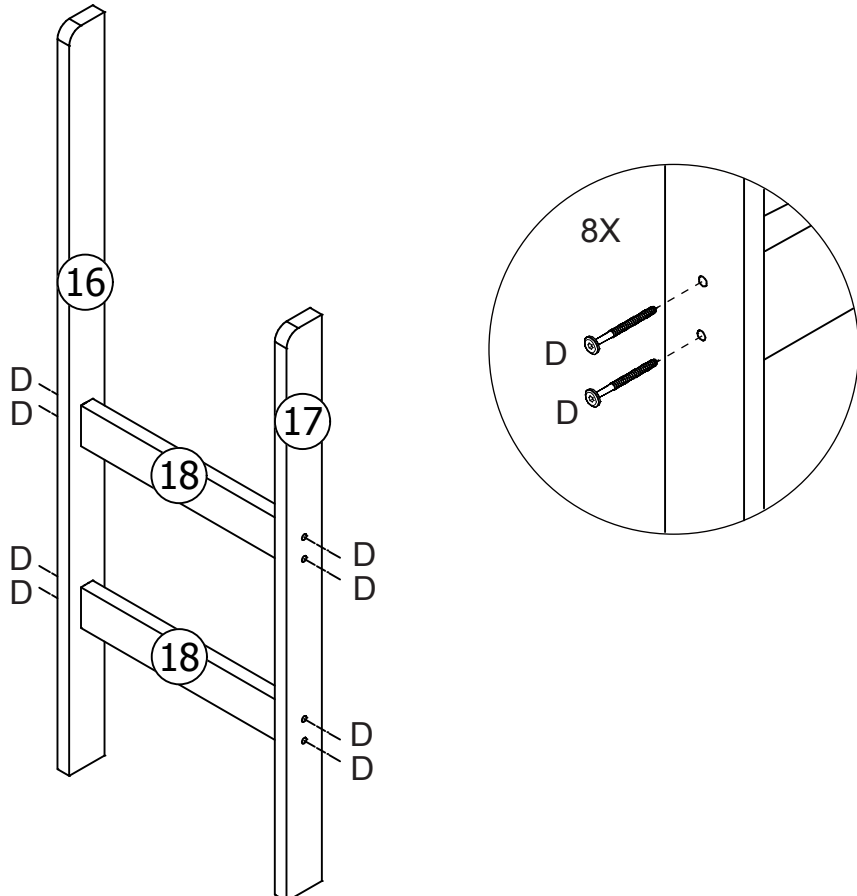
A	 15mm	 M6x90mm	20
B		Ø10x13mm	20


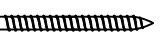
04



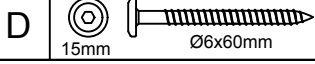
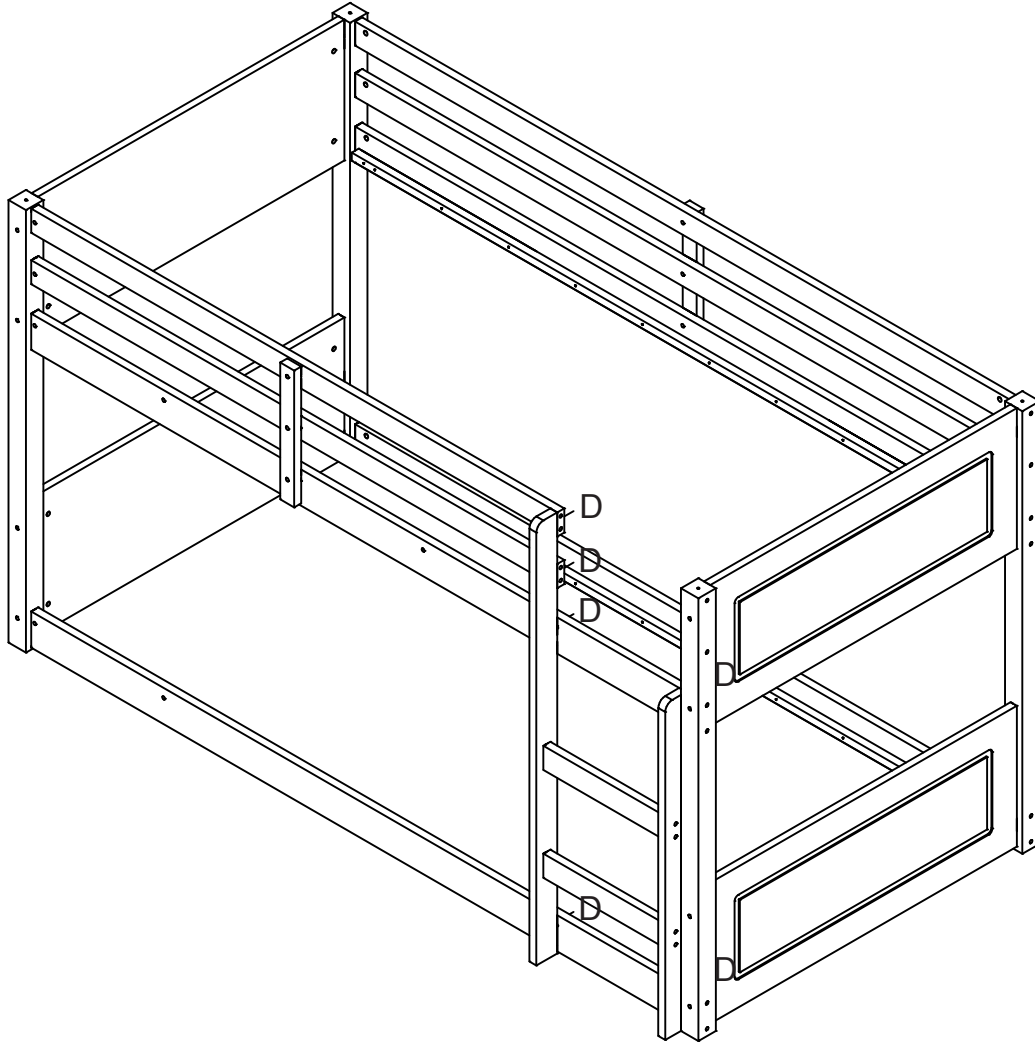
A	 15mm	 M6x90mm	02
B		Ø10x13mm	02
E	 15mm	 M6x25mm	06
F	 15mm	 M8x20mm	06

05



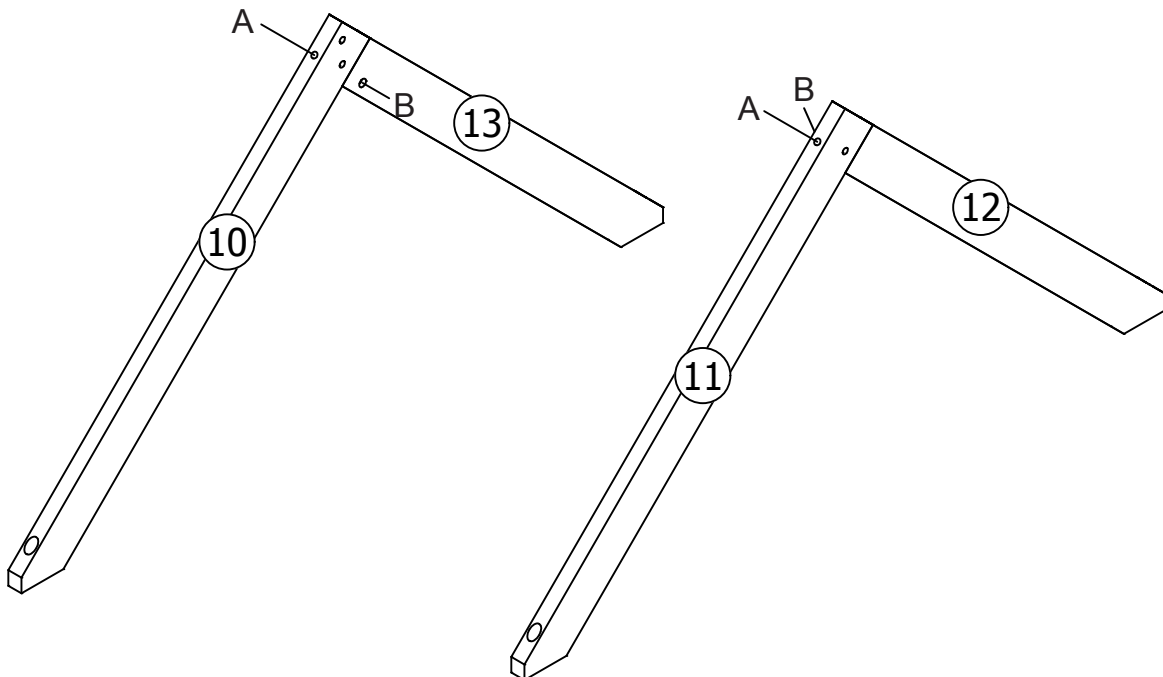
D	 15mm	 Ø6x60mm	08
---	--	---	----


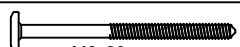

06



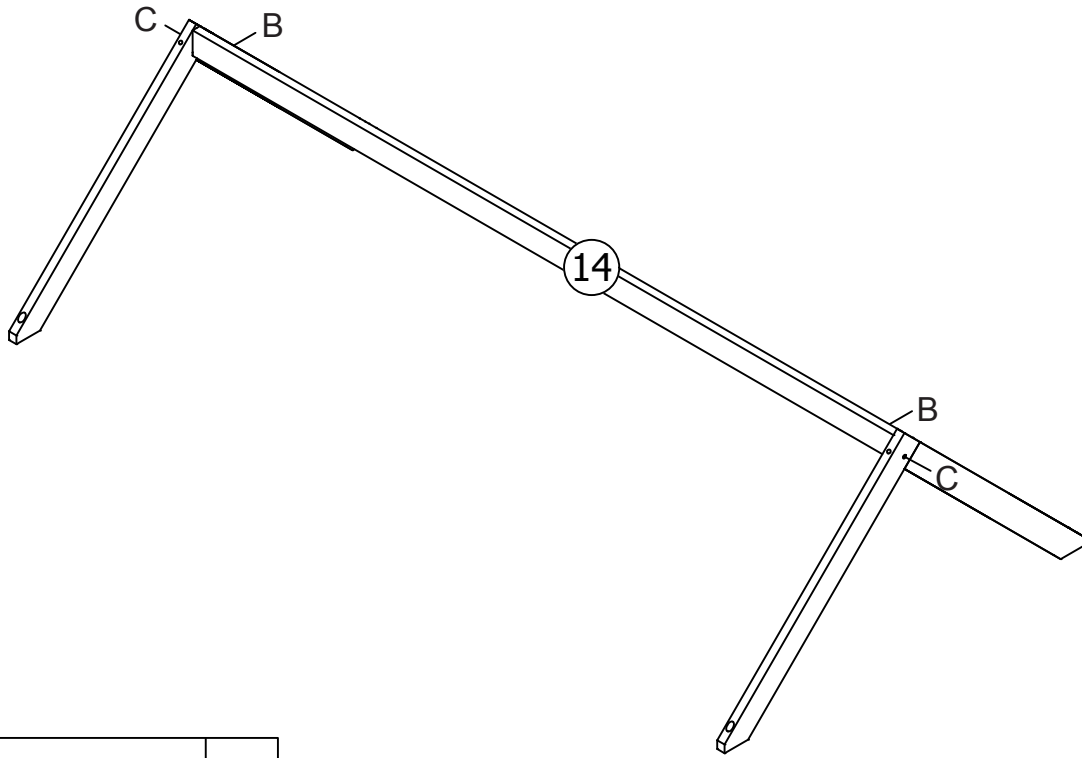
06


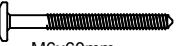
07



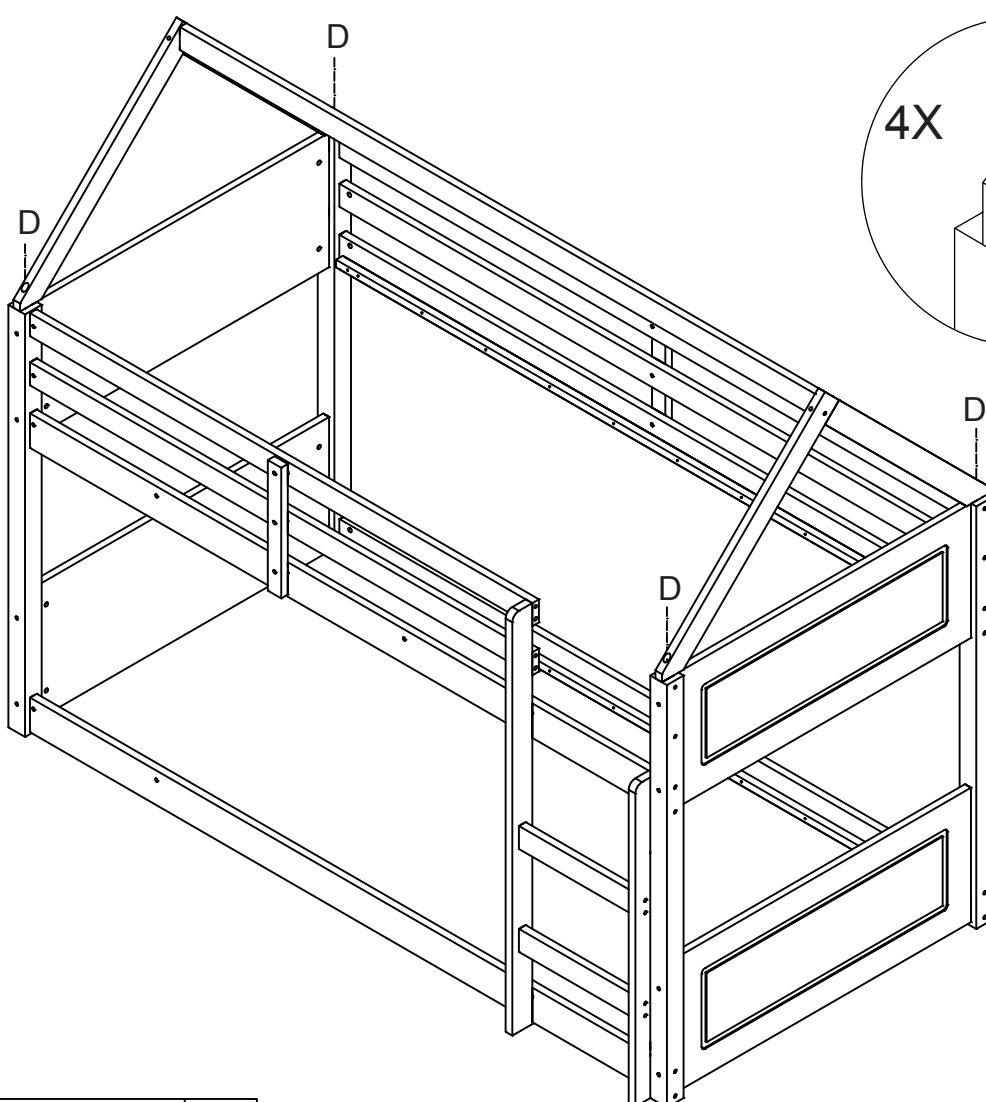
A	 15mm	 M6x90mm	02
B	 Ø10x13mm		02

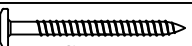
08



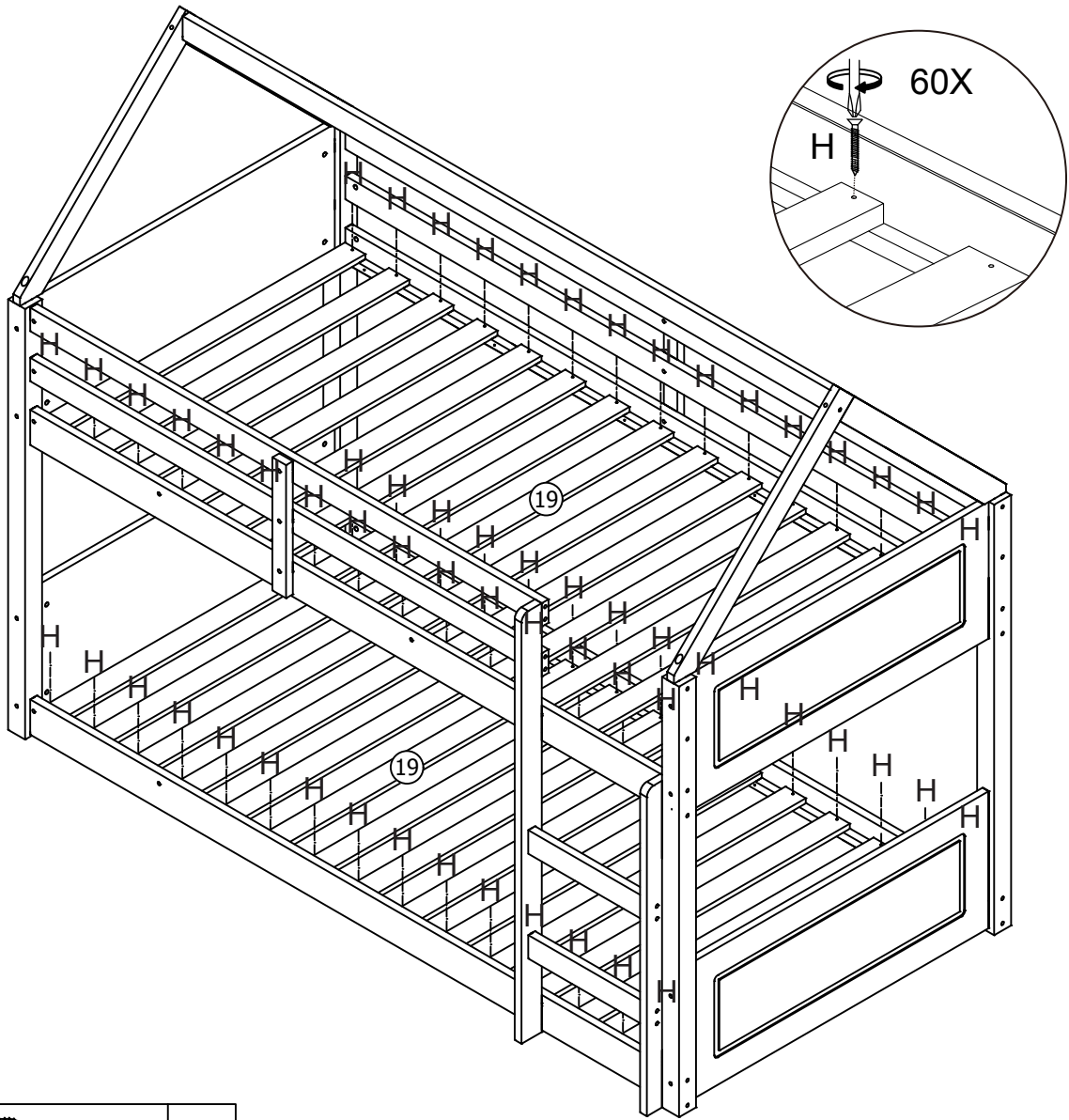
B	 Ø10x13mm	02
C	 15mm M6x60mm	02

09



D	 15mm Ø6x60mm	04
---	--	----

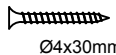
10



H



8mm



Ø4x30mm

60

11

