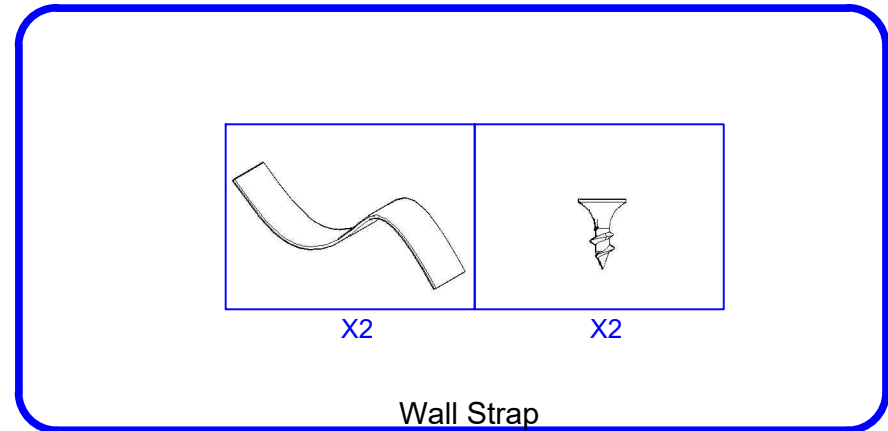
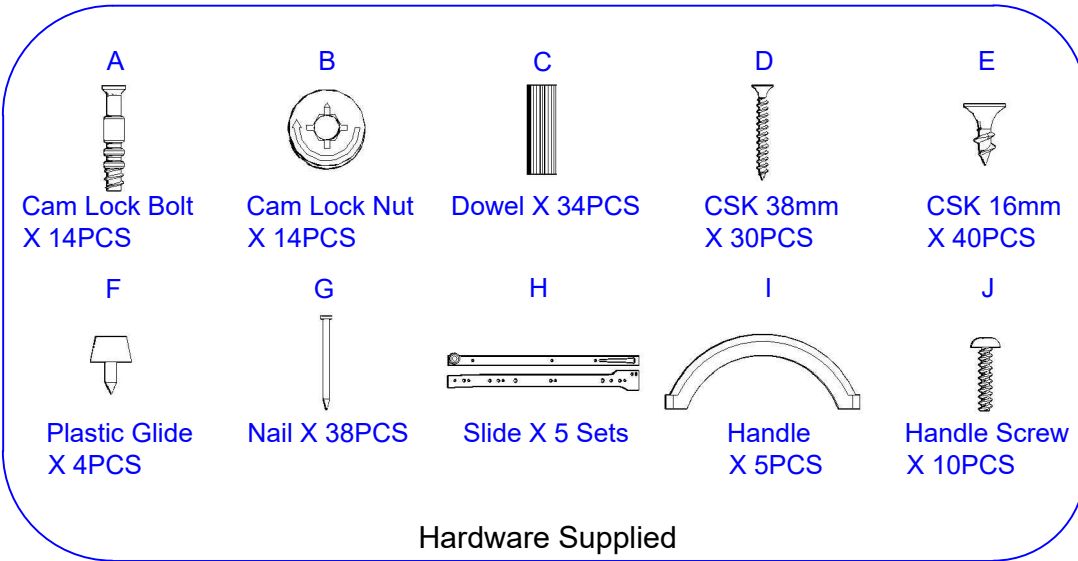


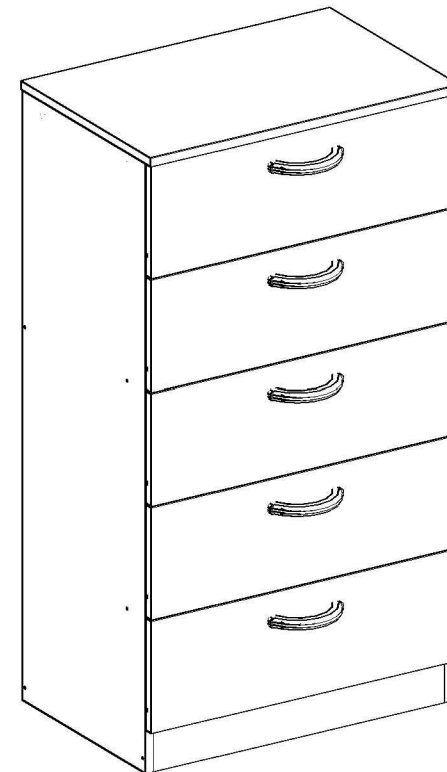
Escort 5Drawer Tall Chest

Assembly Instructions

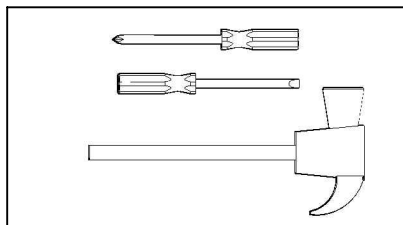
Thanks you for your purchase.
Please follow the instructions below for correct assembly.



Wall plug & screw are not supplied with this product as different wall materials require different types of fixing hardware & you must use suitable fixing hardware for type of wall you intend to mount this product to wall.



WARNING: Any furniture that is not anchored to a wall has the potential to tip over in certain circumstances, i.e. if a child attempts to climb up on the furniture or in the event of an earthquake. Accordingly, we recommend that all furniture is anchored to wall. We supply a free safety wall anchor with all furniture sold and we recommend these are used to prevent your product tipping. The fixing device provided should fit most wall types, but please note that different wall materials may require different fixing devices from those supplied.



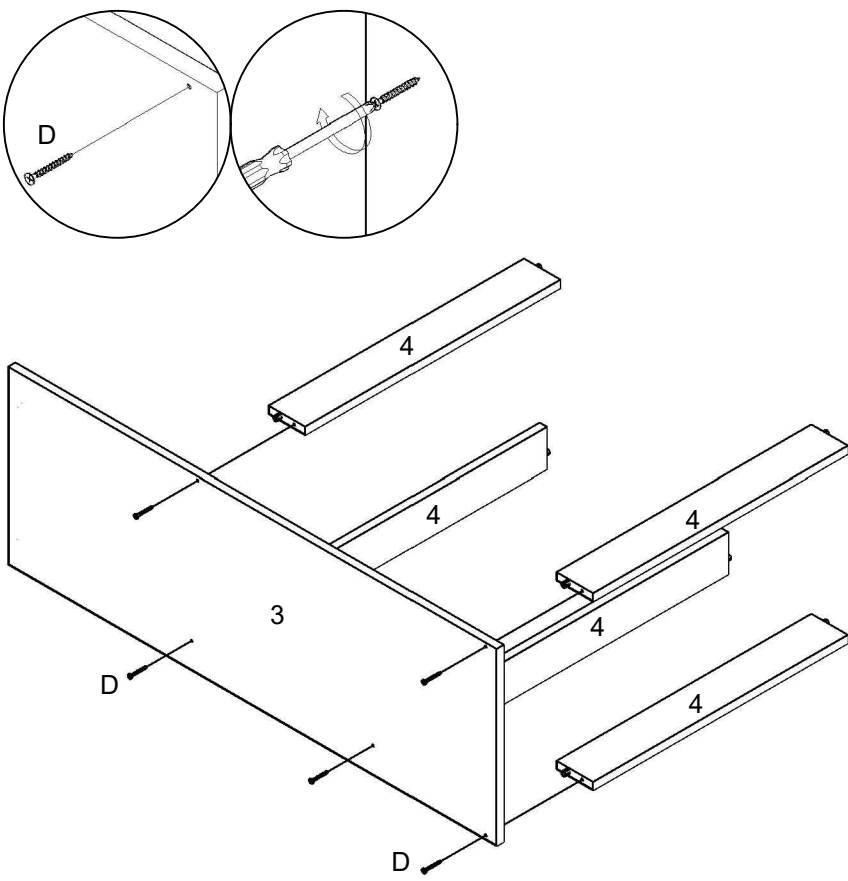
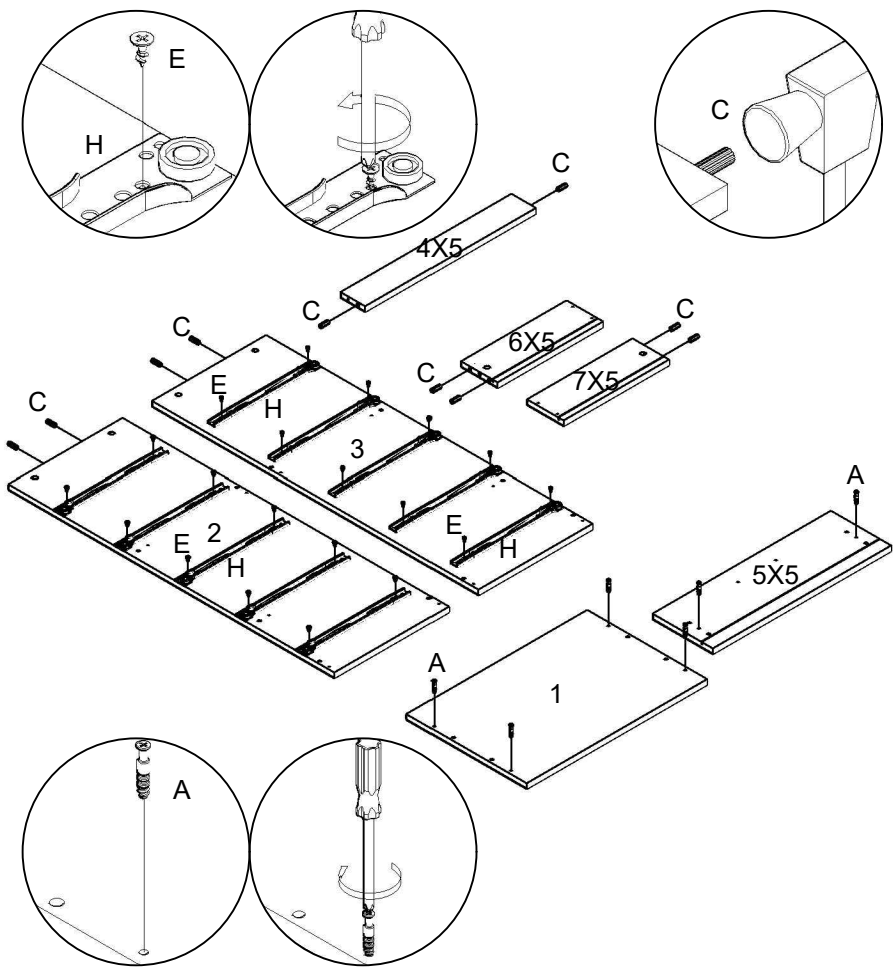
Screwdrivers and hammer required

For quicker assembly, we recommend the use of a power drill on a low-speed setting.

Escort 5Drawer Tall Chest

Assembly Instructions

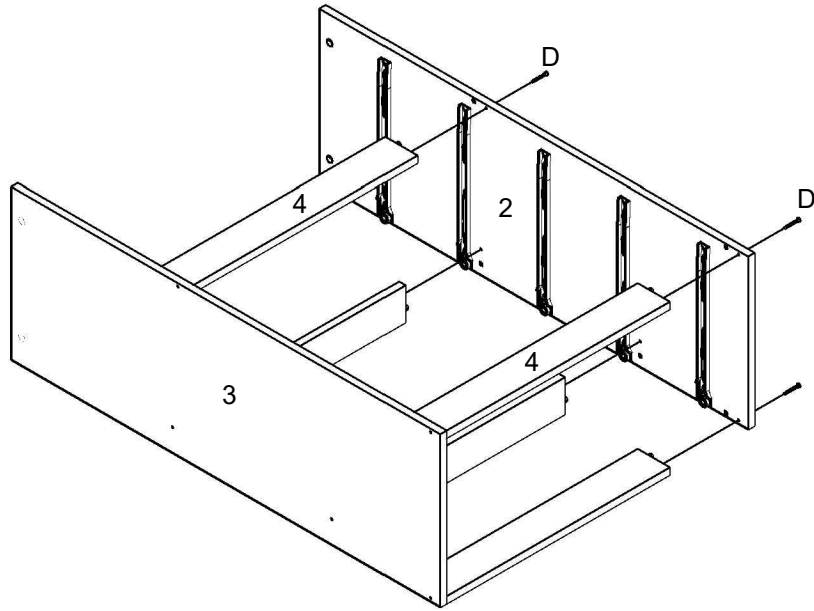
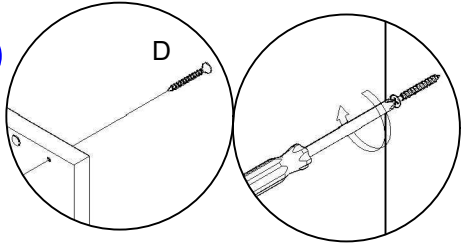
1



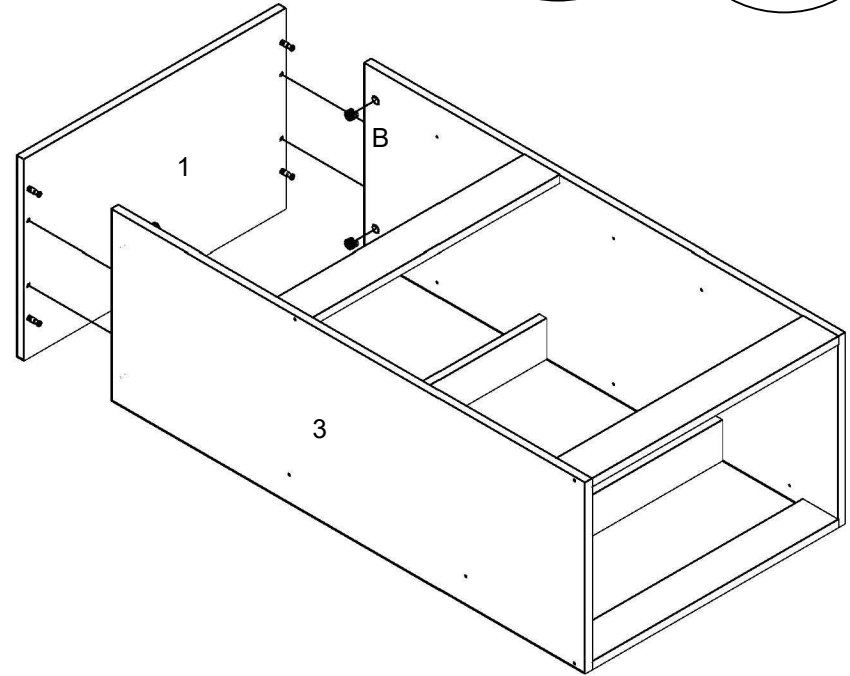
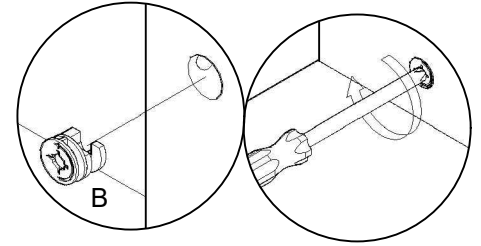
Escort 5Drawer Tall Chest

Assembly Instructions

3

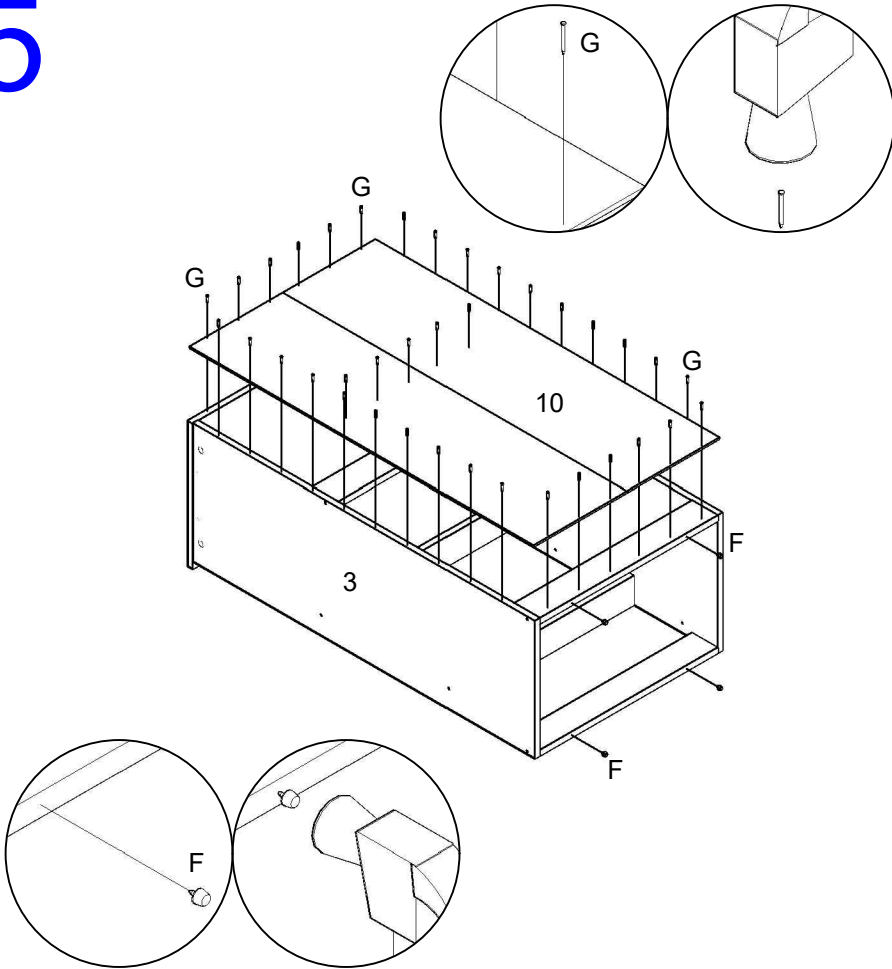


4

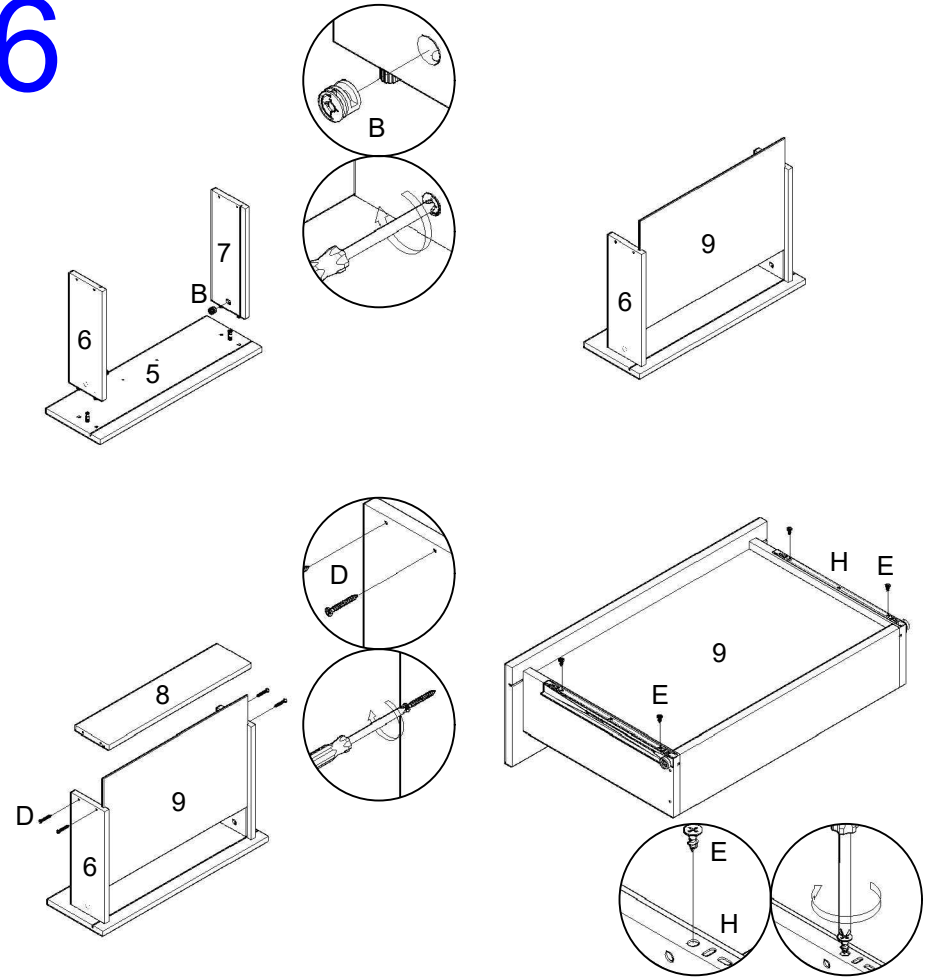


Escort 5Drawer Tall Chest Assembly Instructions

5

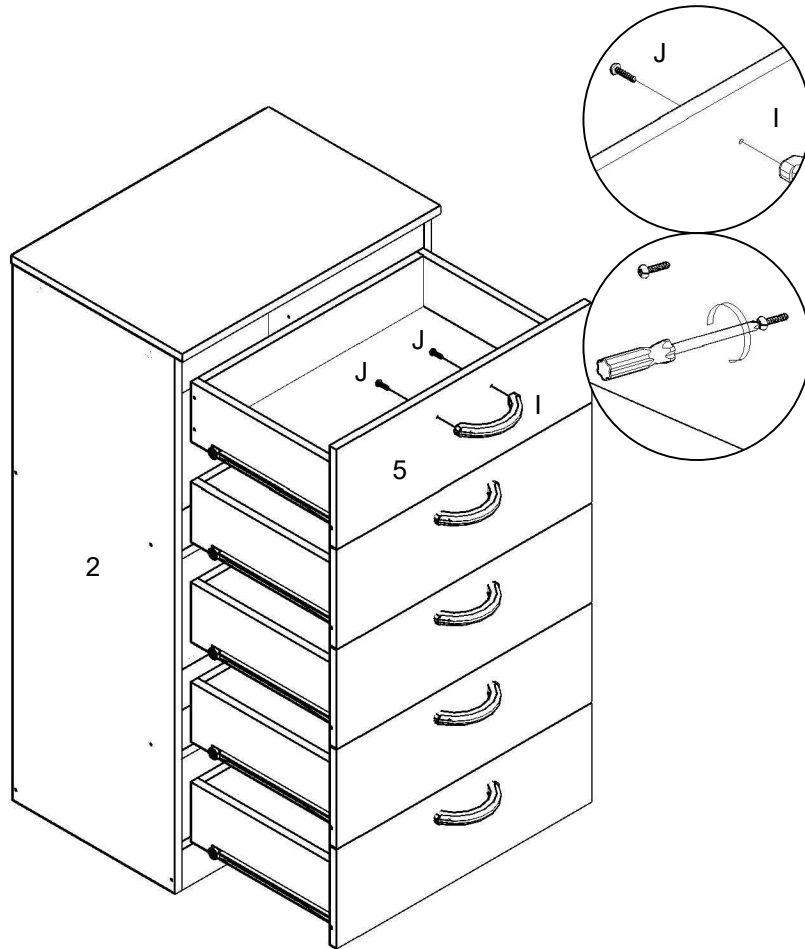


6

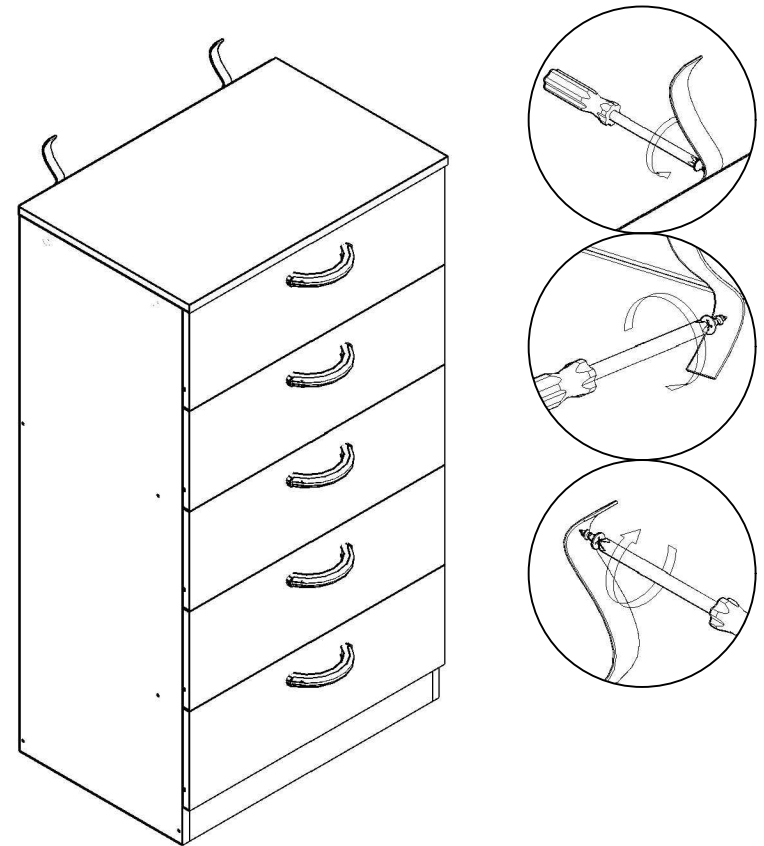


Escort 5Drawer Tall Chest Assembly Instructions

7



8



Wall plug & screw are not supplied with this product as different wall materials require different types of fixing hardware & you must use suitable fixing hardware for type of wall you intend to mount this product to wall.