
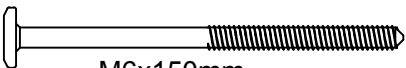



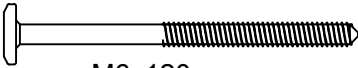

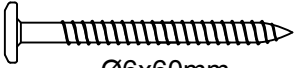



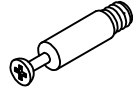
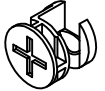

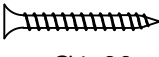



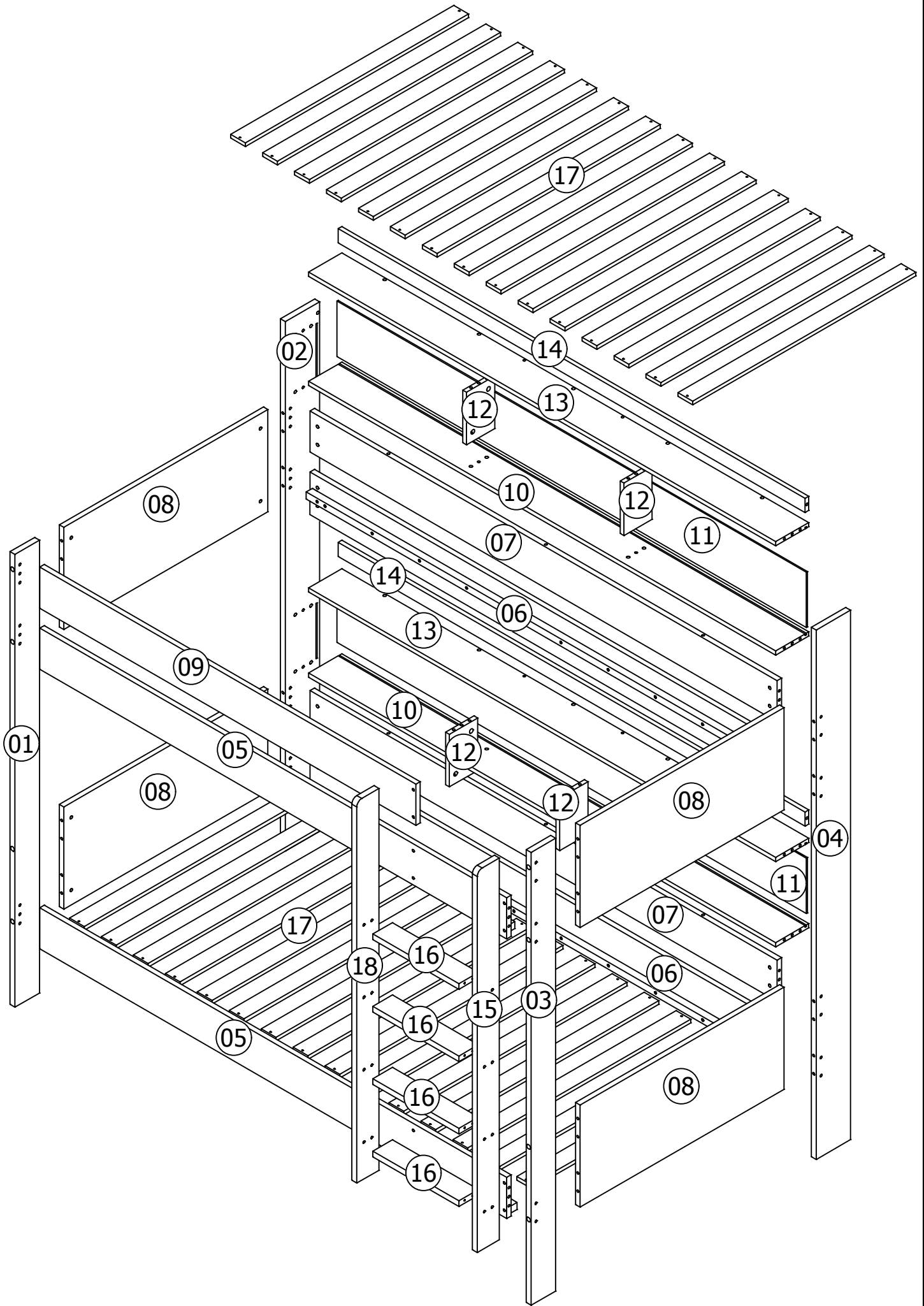


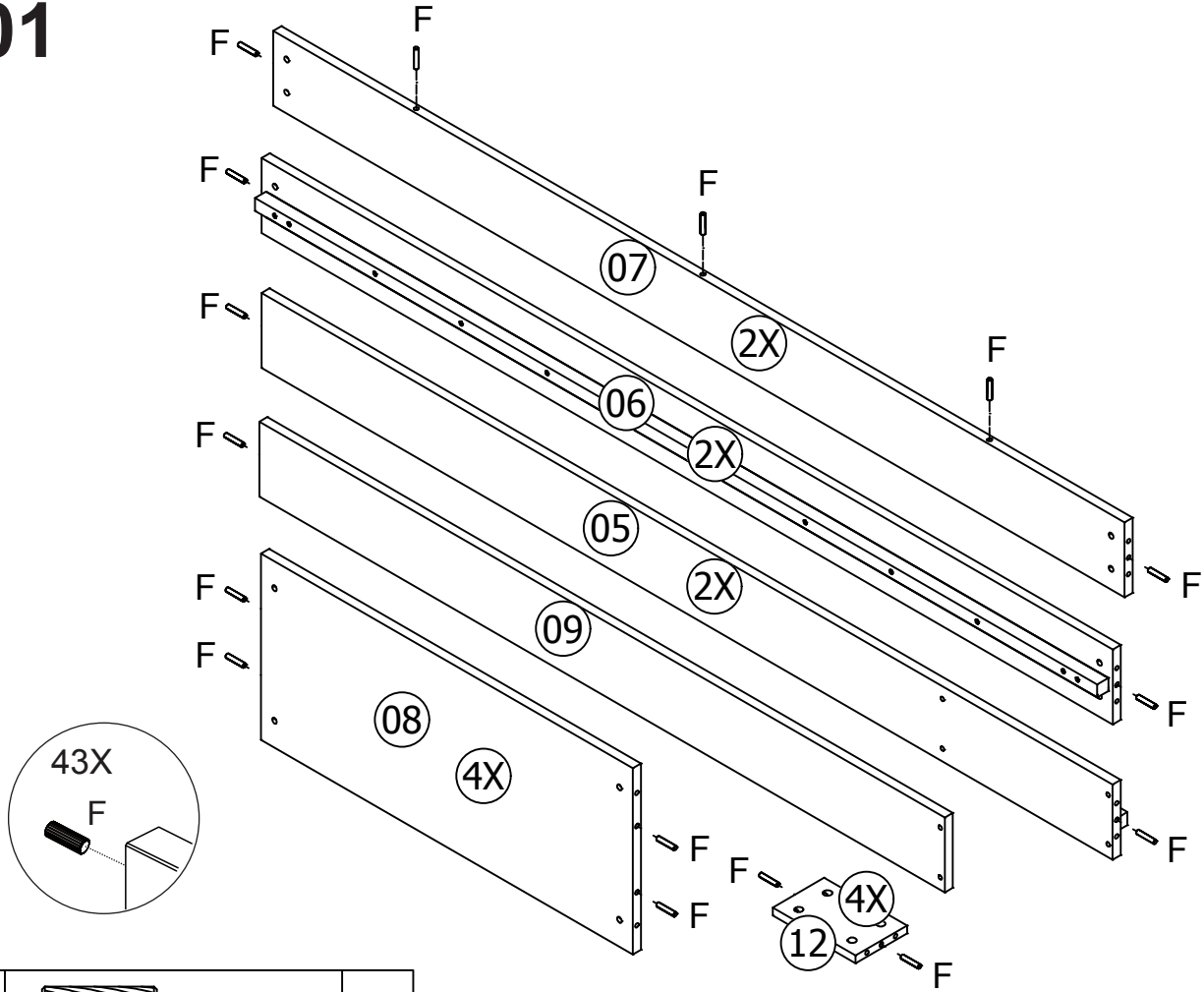
HARDWARE

A	 15mm	 M6x150mm	08
B		 Ø10x13mm	42
C	 15mm	 M6x120mm	08
D	 15mm	 Ø6x60mm	26
E	 15mm	 M6x60mm	26
F		Ø8x30mm	59

G		42	
H		42	
I	 8mm	 Ø4x30mm	60
J		4mm	01
K		 Ø15mm	16

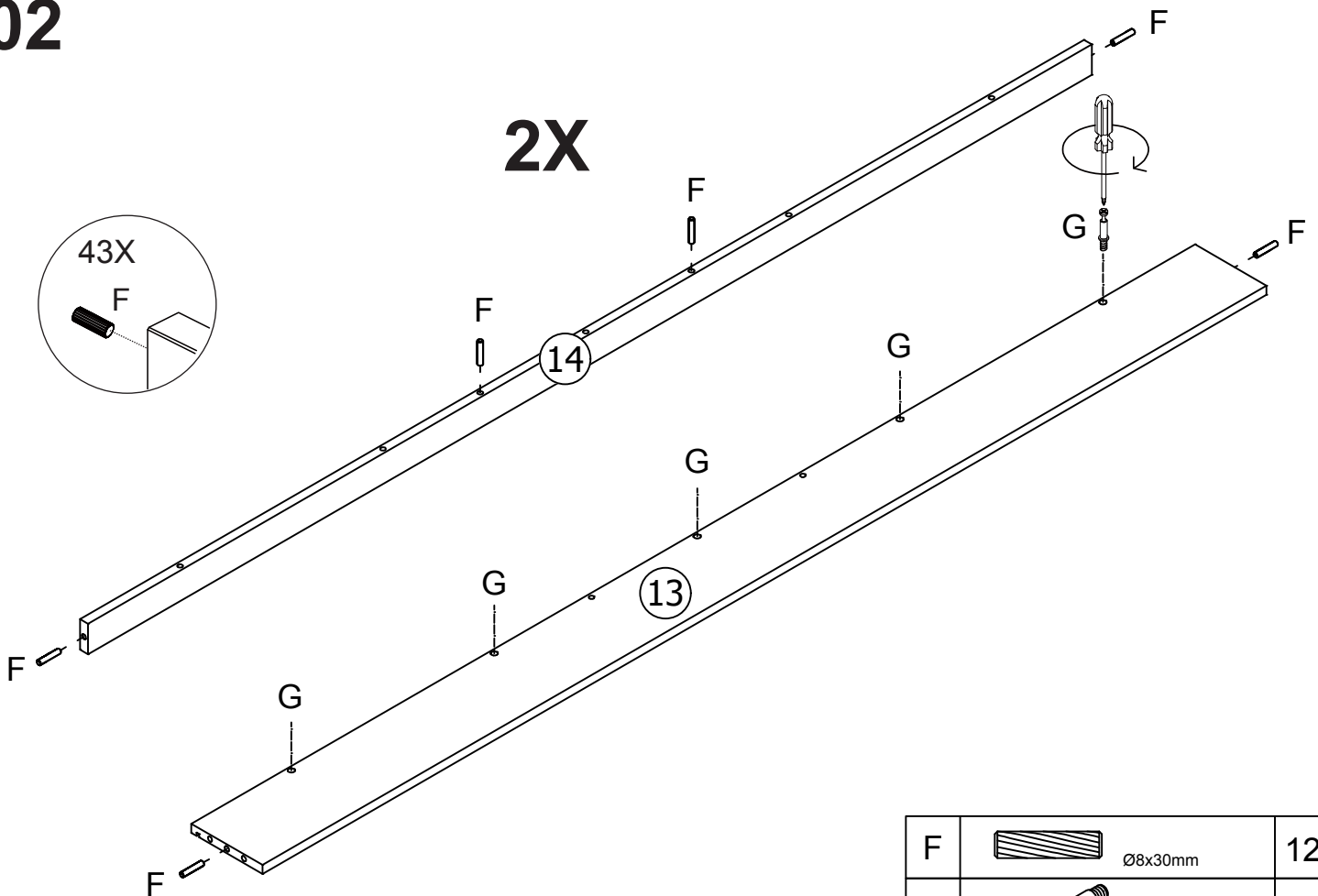




01



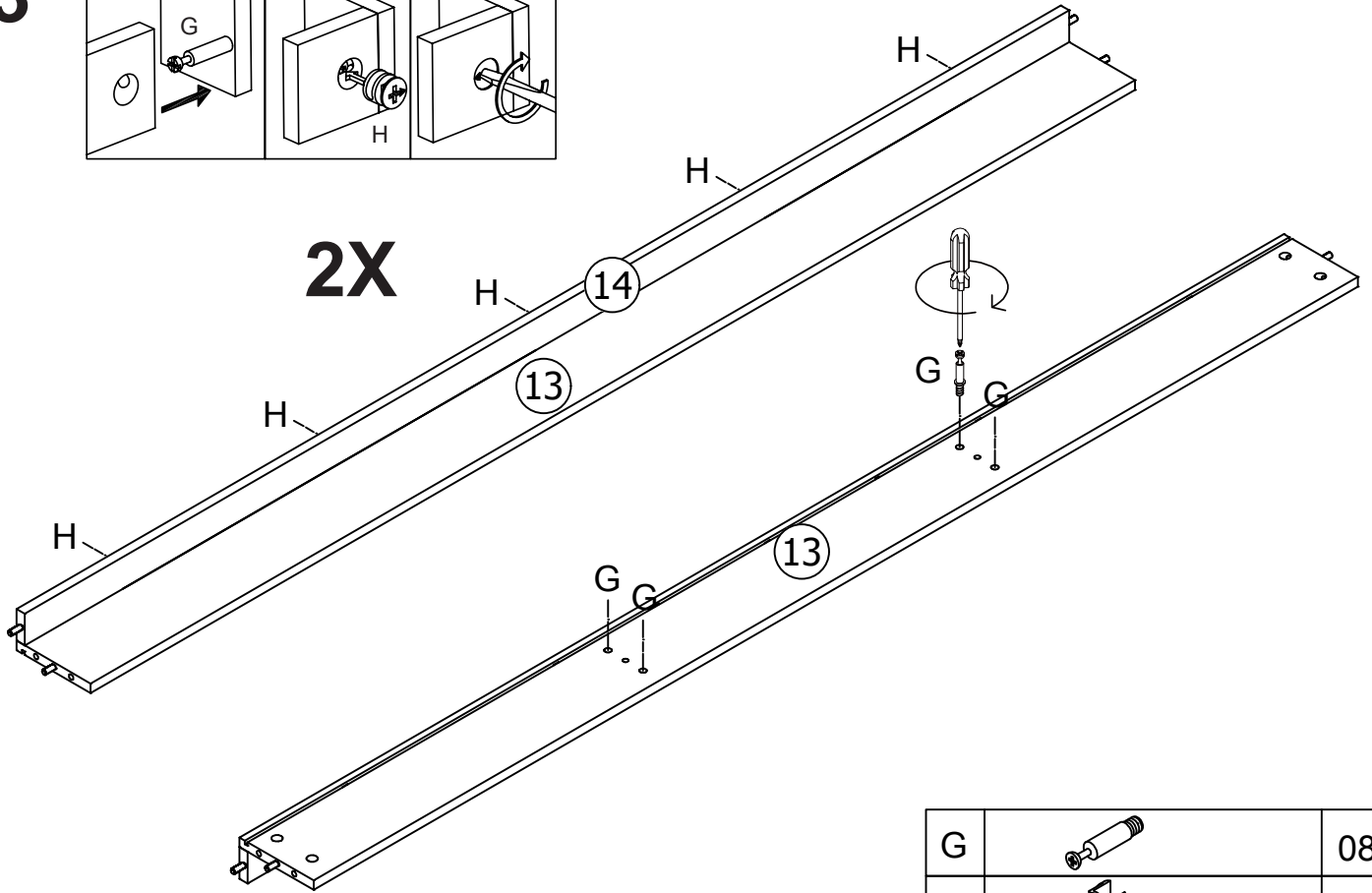
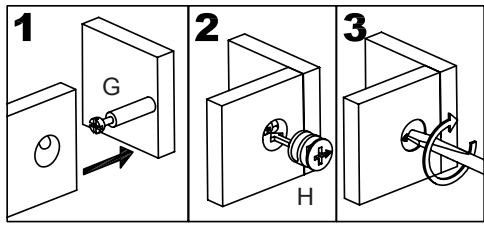
F		Ø8x30mm	43
---	---	---------	----

02



F		Ø8x30mm	12
G			10

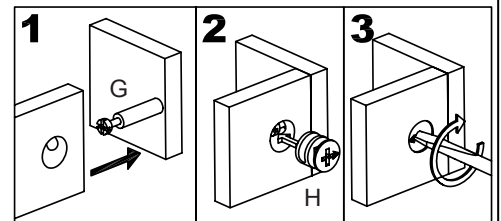
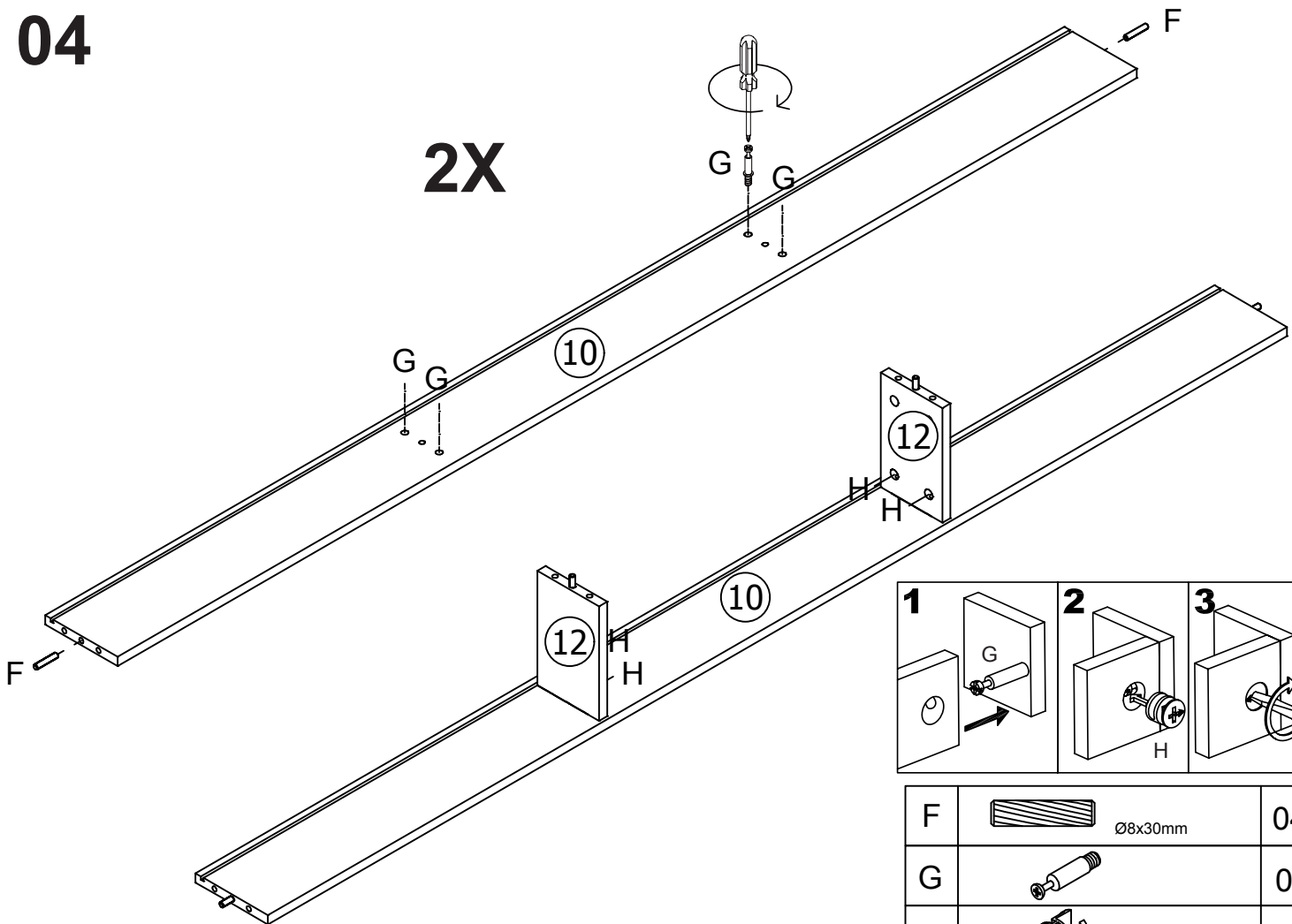
03



G		08
H		10

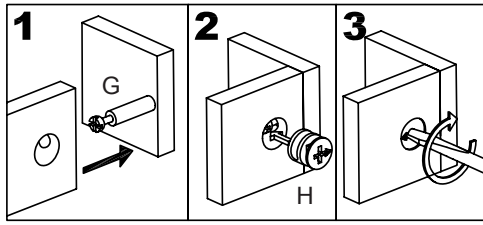
04

2X

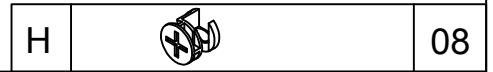
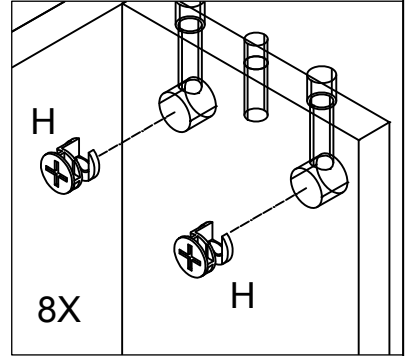
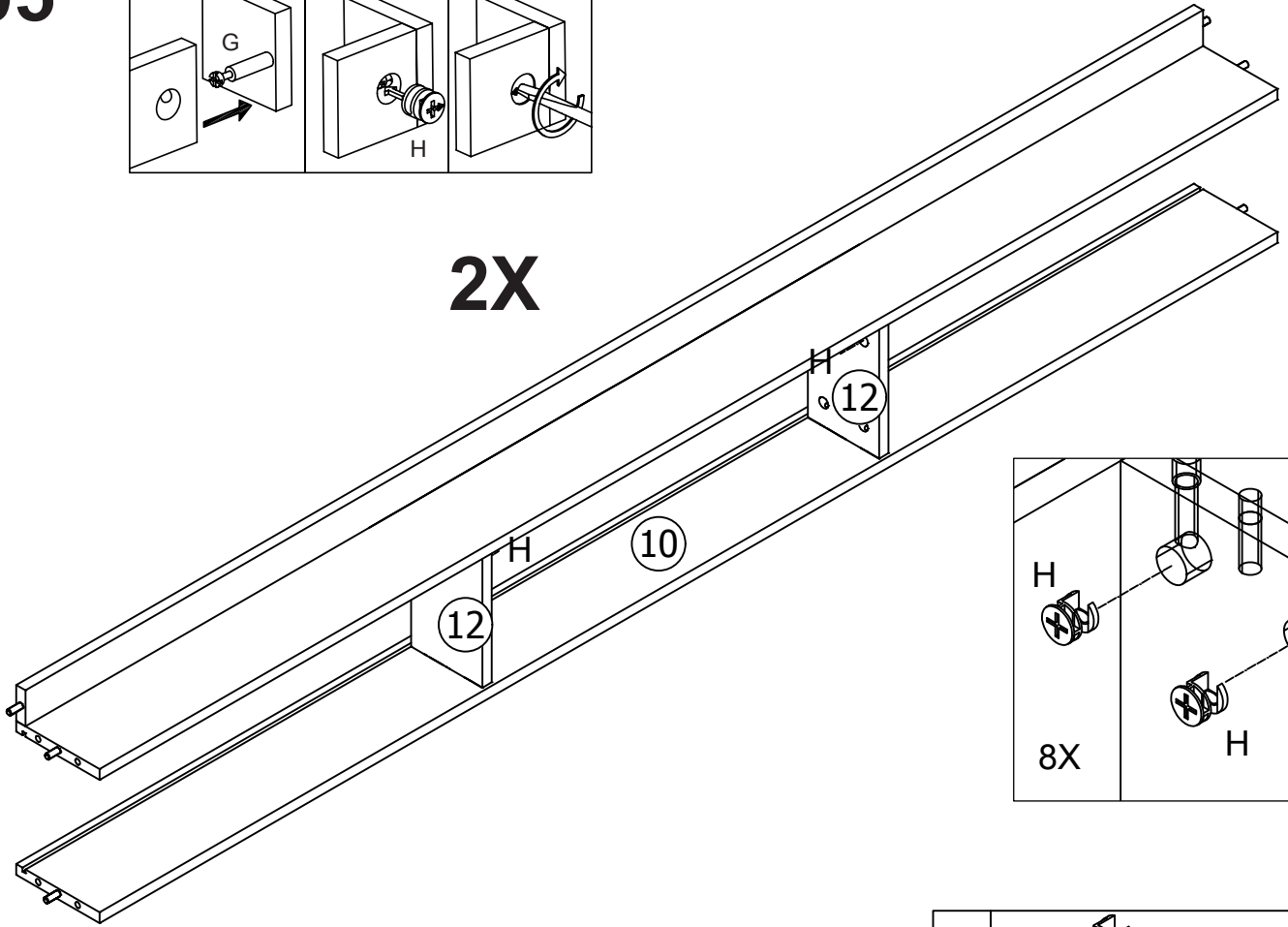


F	Ø8x30mm	04
G		08
H		08

05

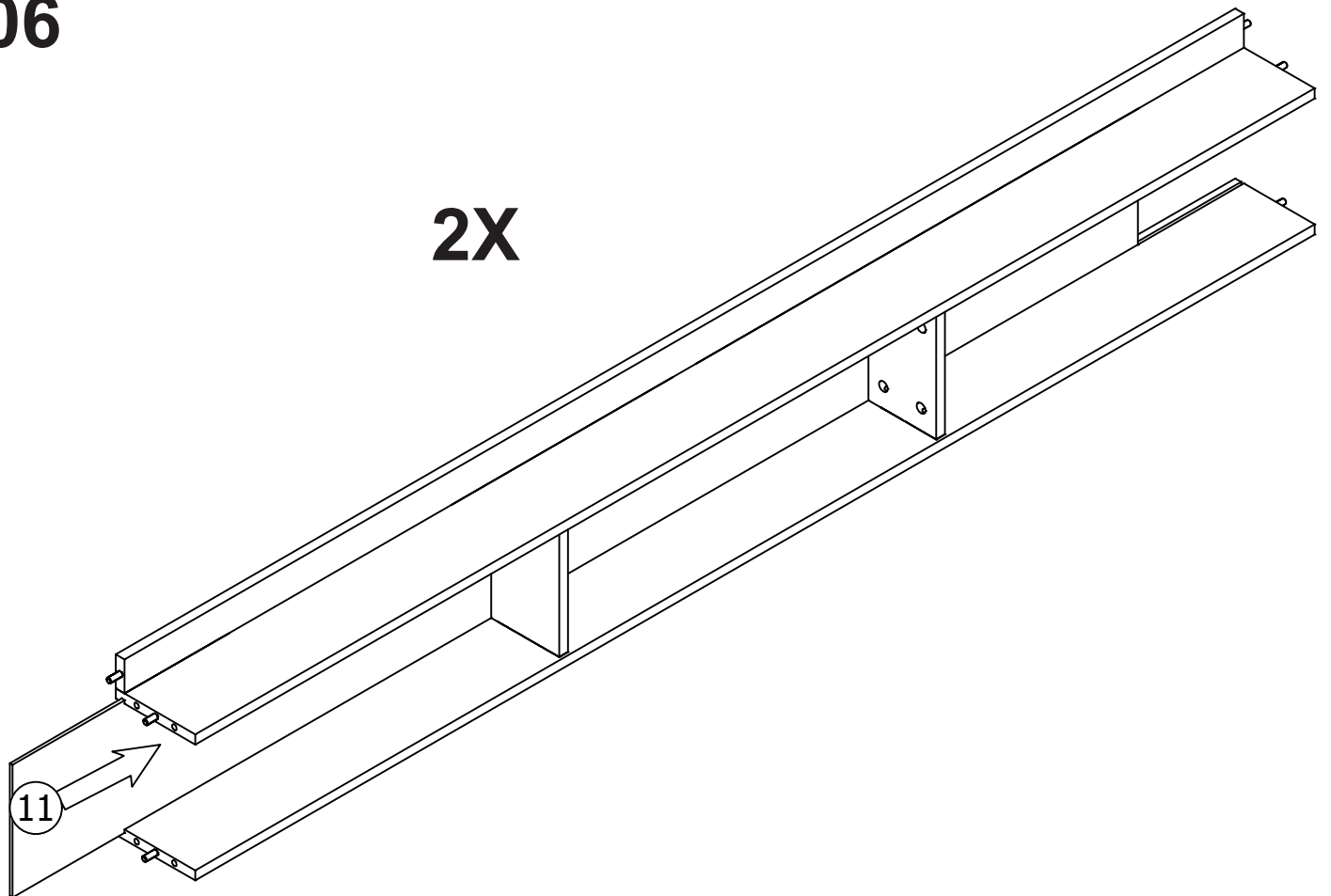


2X

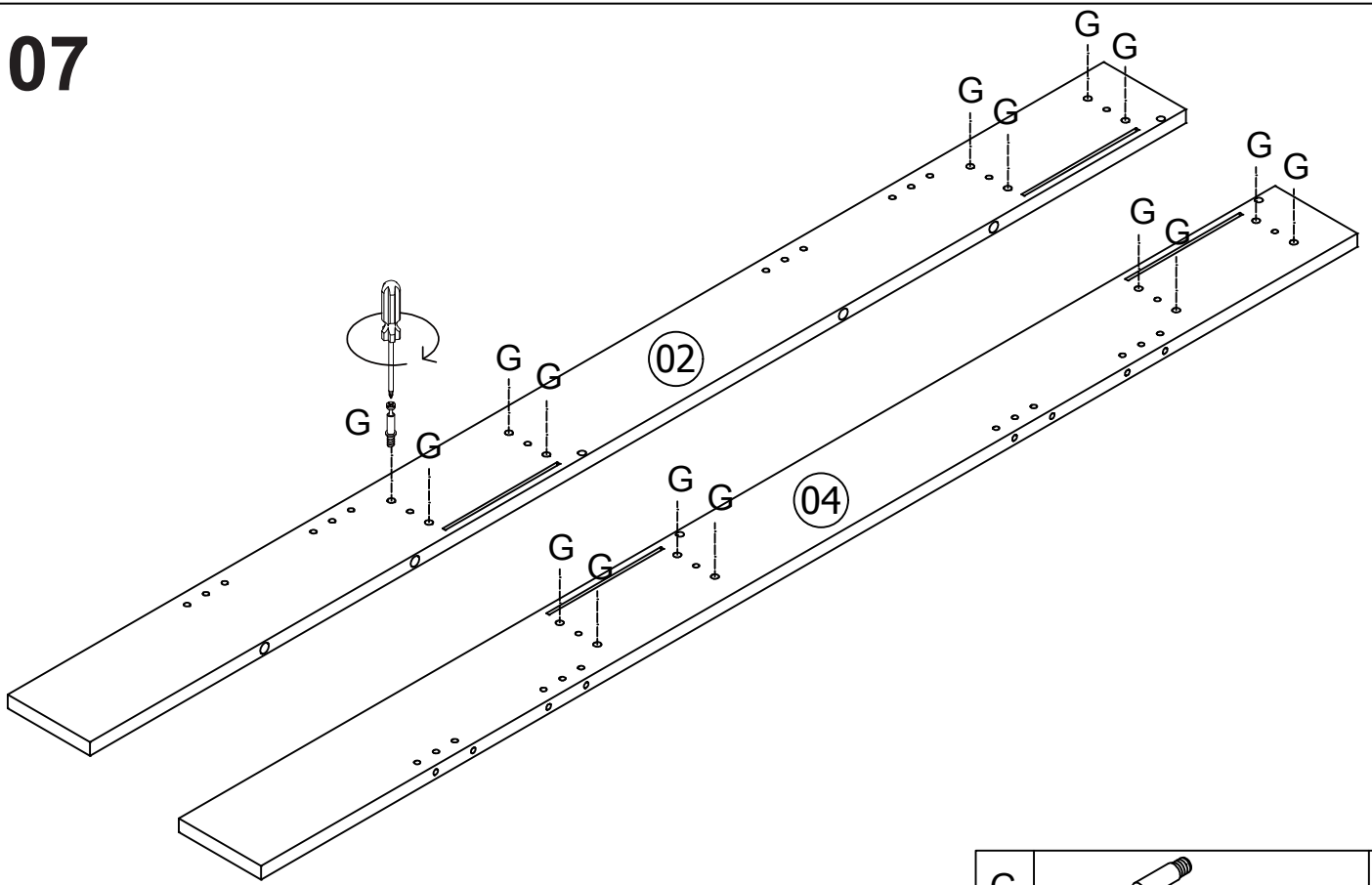



06

2X

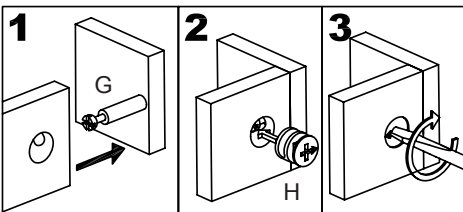
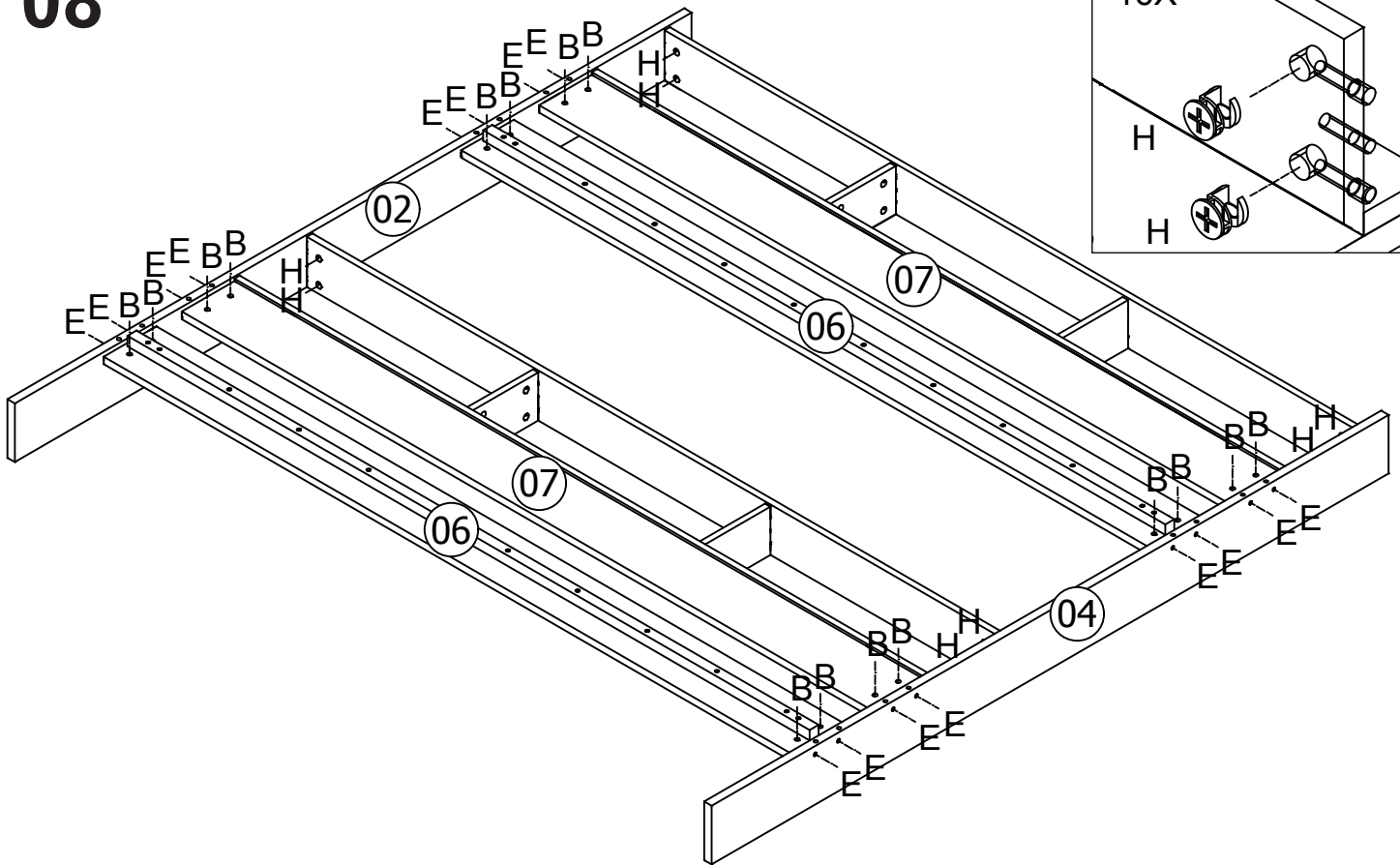



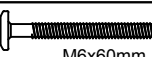

07



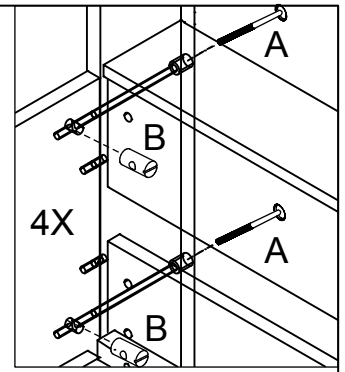
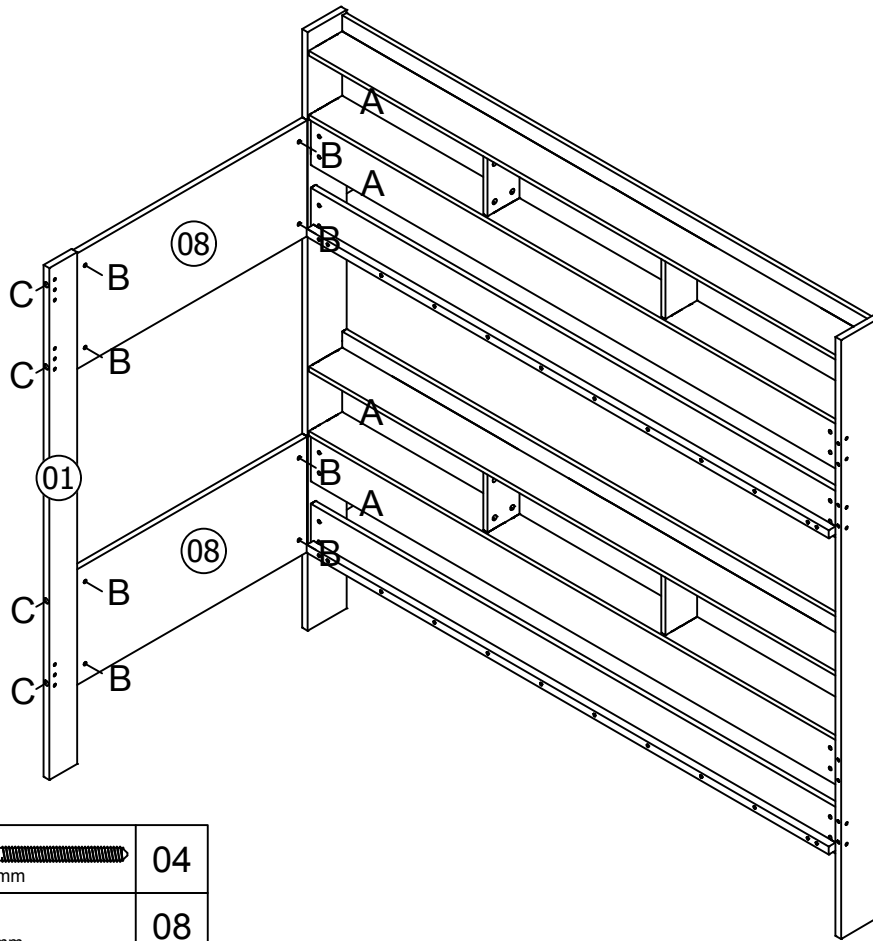
G		16
---	---	----

08



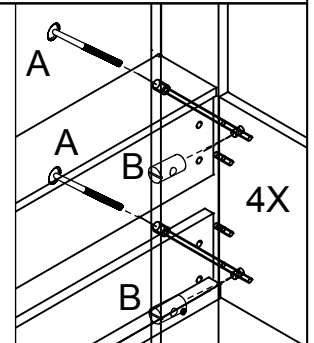
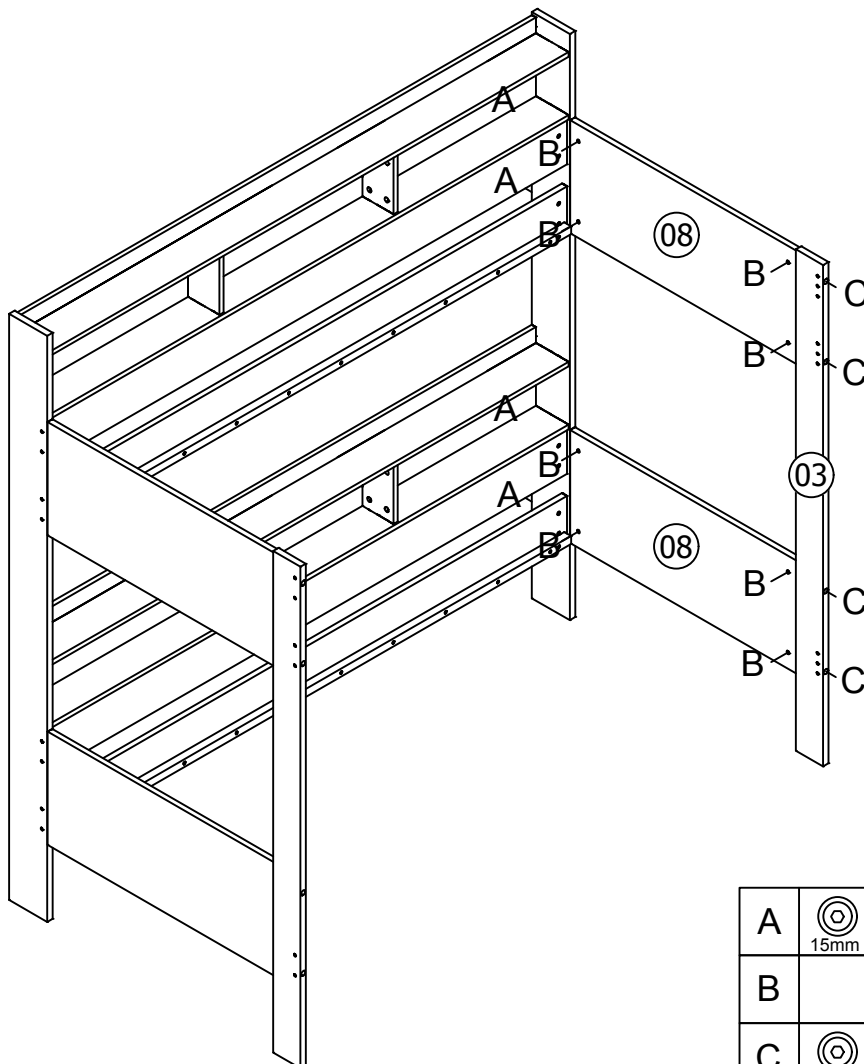
B	 Ø10x13mm	16
E	 15mm M6x60mm	16
H		16

10



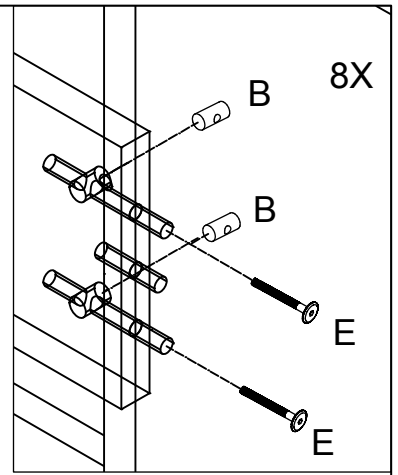
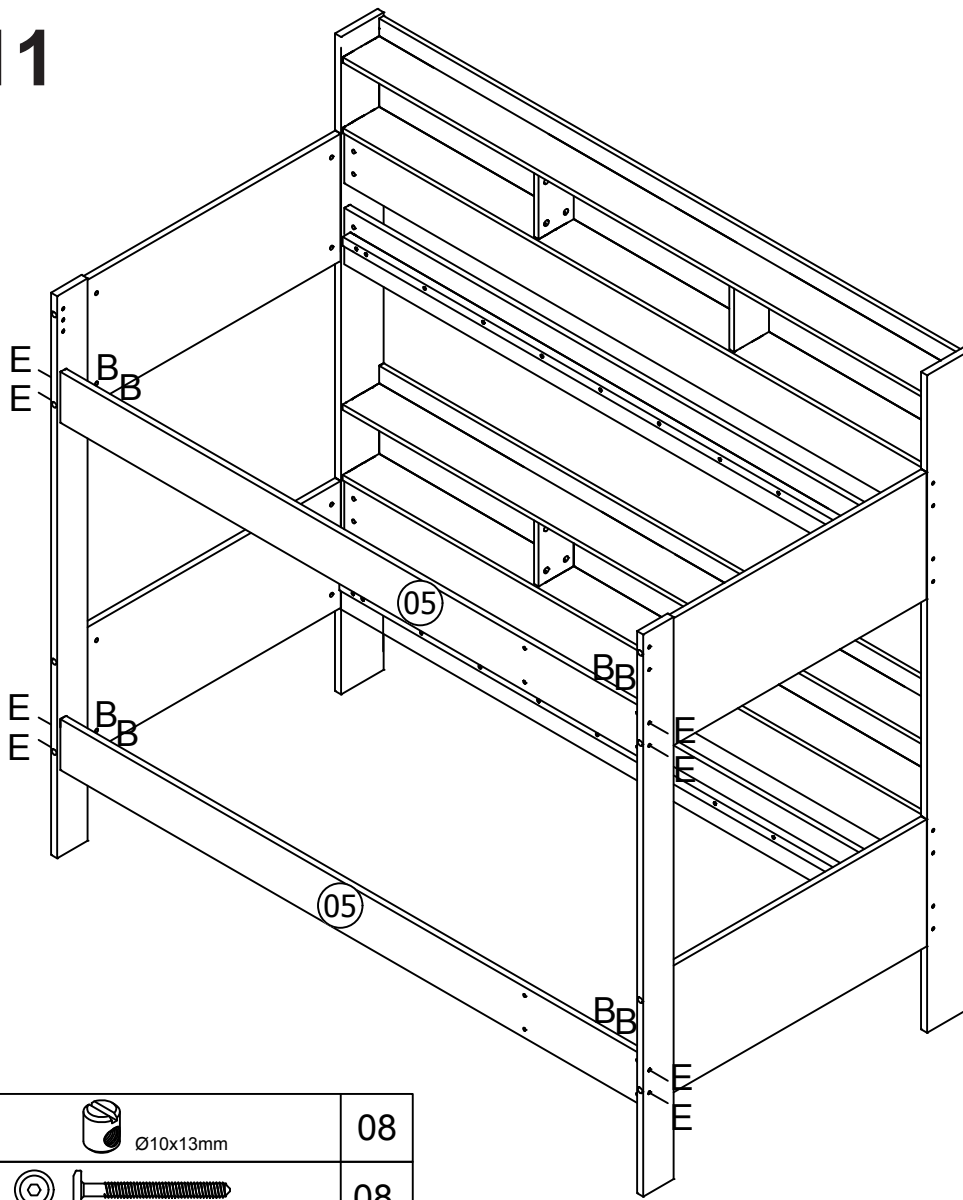
A		04
B		08
C		04


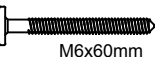
11



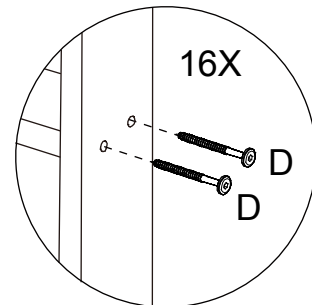
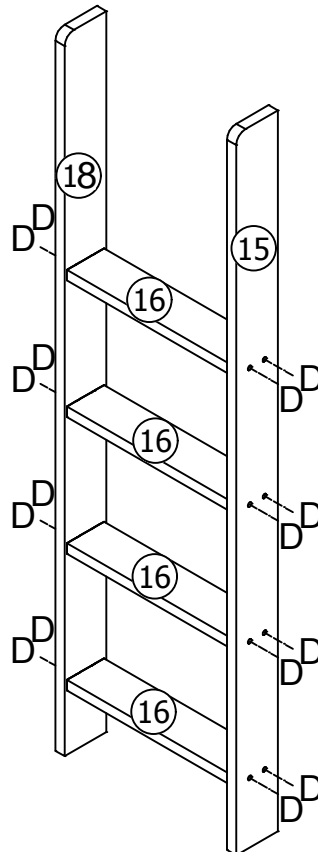
A		04
B		08
C		04

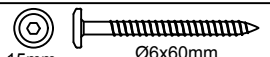
11



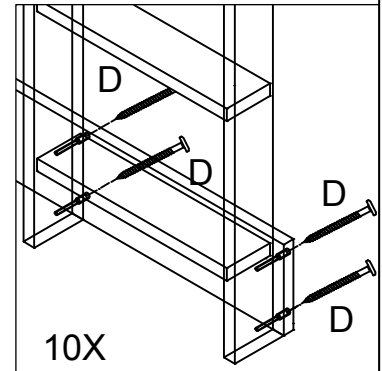
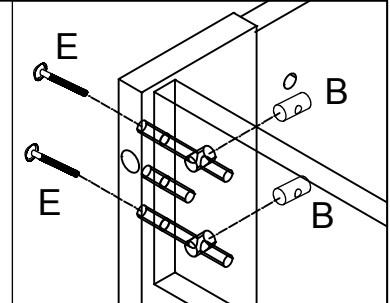
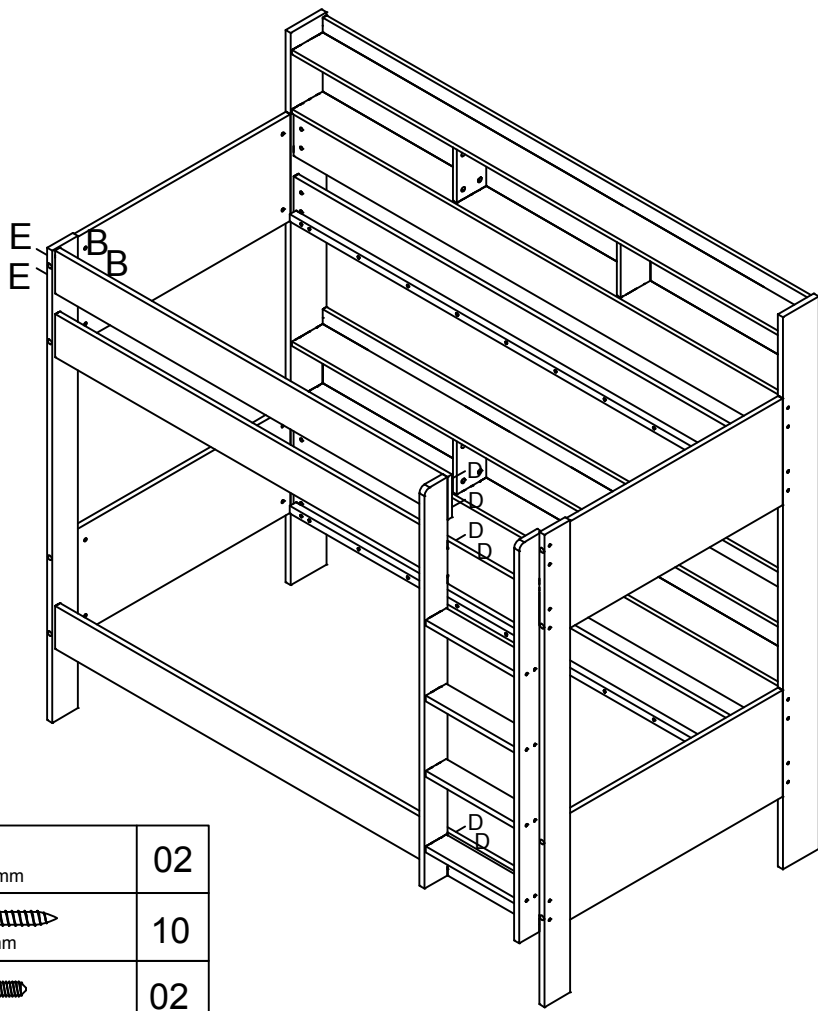
B	 Ø10x13mm	08
E	 15mm M6x60mm	08




12



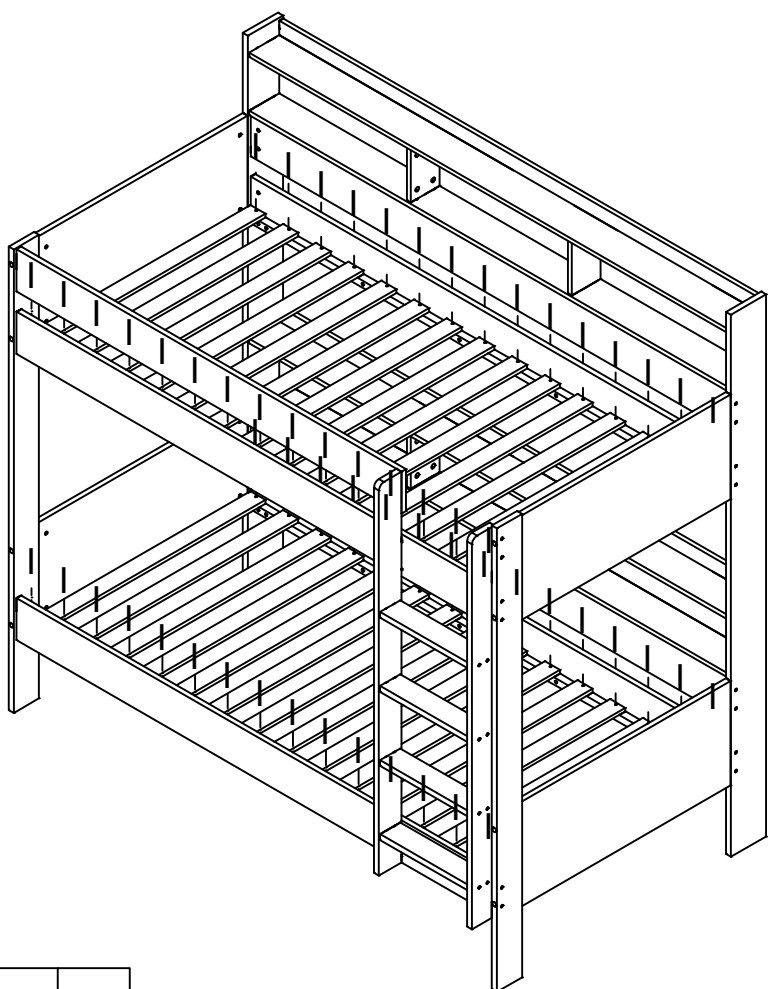
D	 15mm Ø6x60mm	16
---	--	----


13



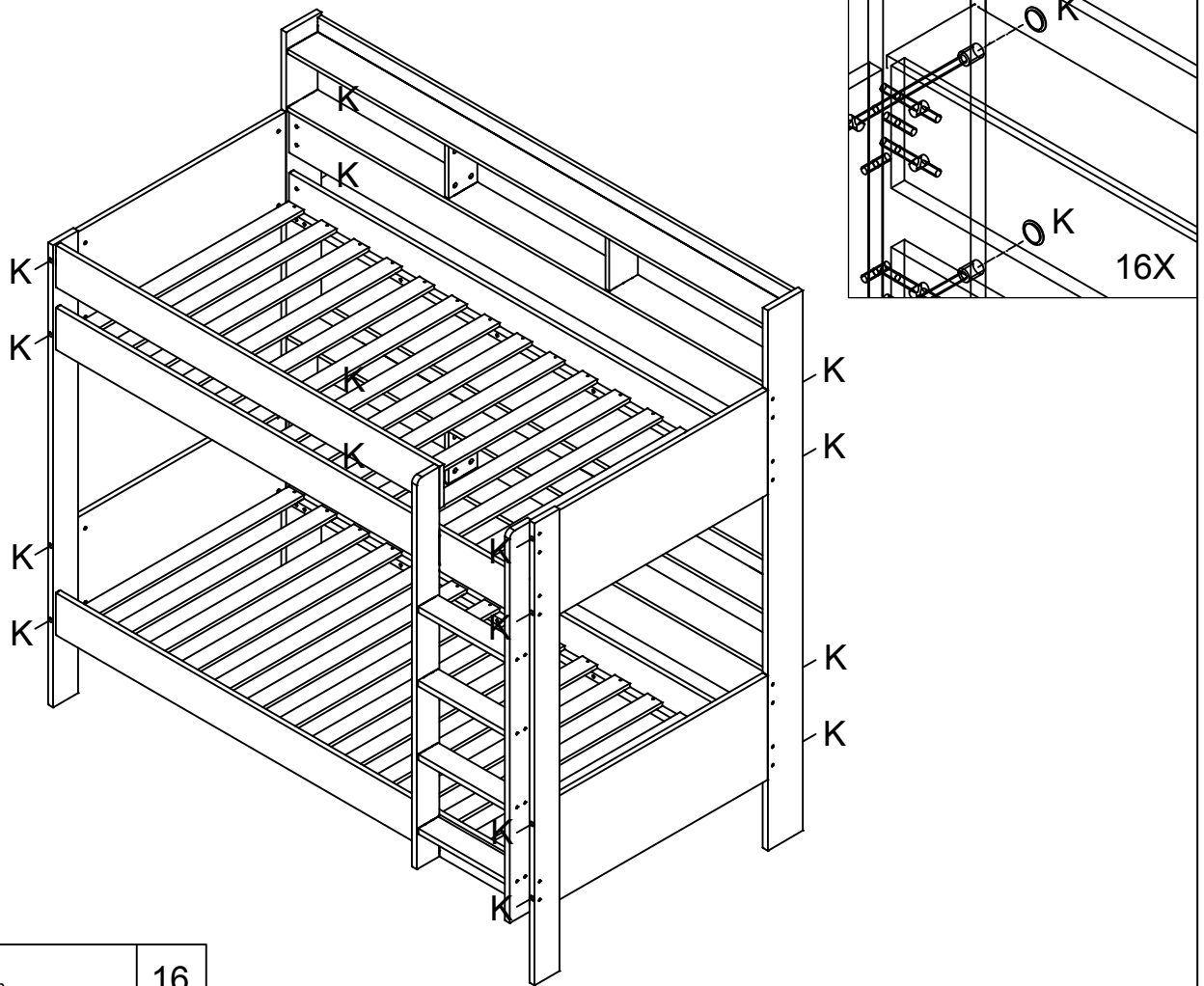
B	 Ø10x13mm	02
D	 15mm Ø6x60mm	10
E		02



14



I	 8mm Ø4x30mm	60
---	--	----

15



K		 Ø15mm	16
---	---	---	----

16

