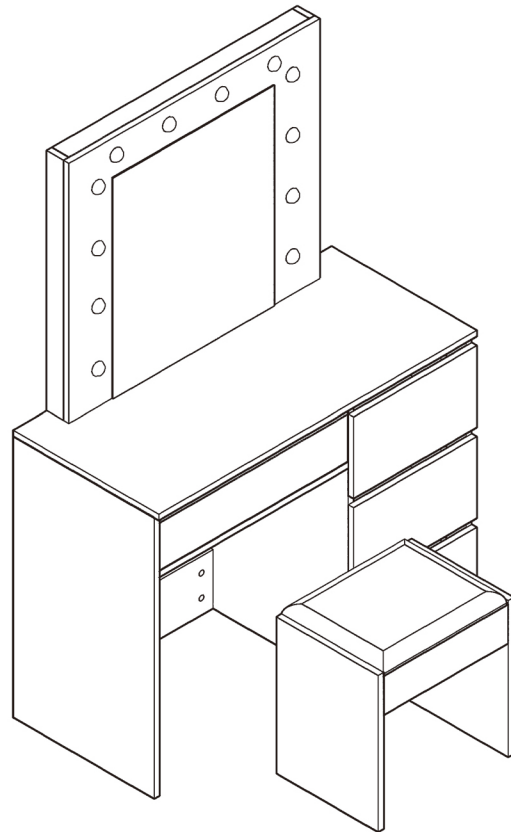
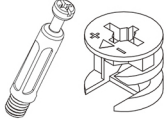
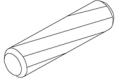
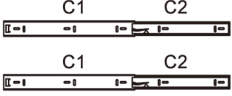


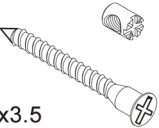

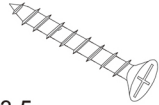

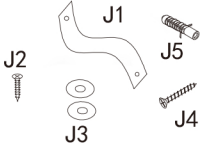



HARDWARE



<p>A 71pcs</p> 	<p>B 20pcs</p>  <p>40x8</p>
<p>C 4pcs</p> 	<p>D 10pcs</p> 
<p>E 80pcs</p> 	<p>F 6pcs</p>  <p>14x3.5</p>
<p>G 48pcs</p>  <p>14x3.5</p>	<p>H 16pcs</p>  <p>35x3.5</p>
<p>I 2pcs</p> 	<p>J 2 sets</p> 
<p>K 1 set</p> 	

ASSEMBLY CHECKLIST



Read through the instructions carefully before starting assembly.



Make sure that you have the required tools. Do not use power tools.



Identify and lay out all parts to familiarise yourself with them.

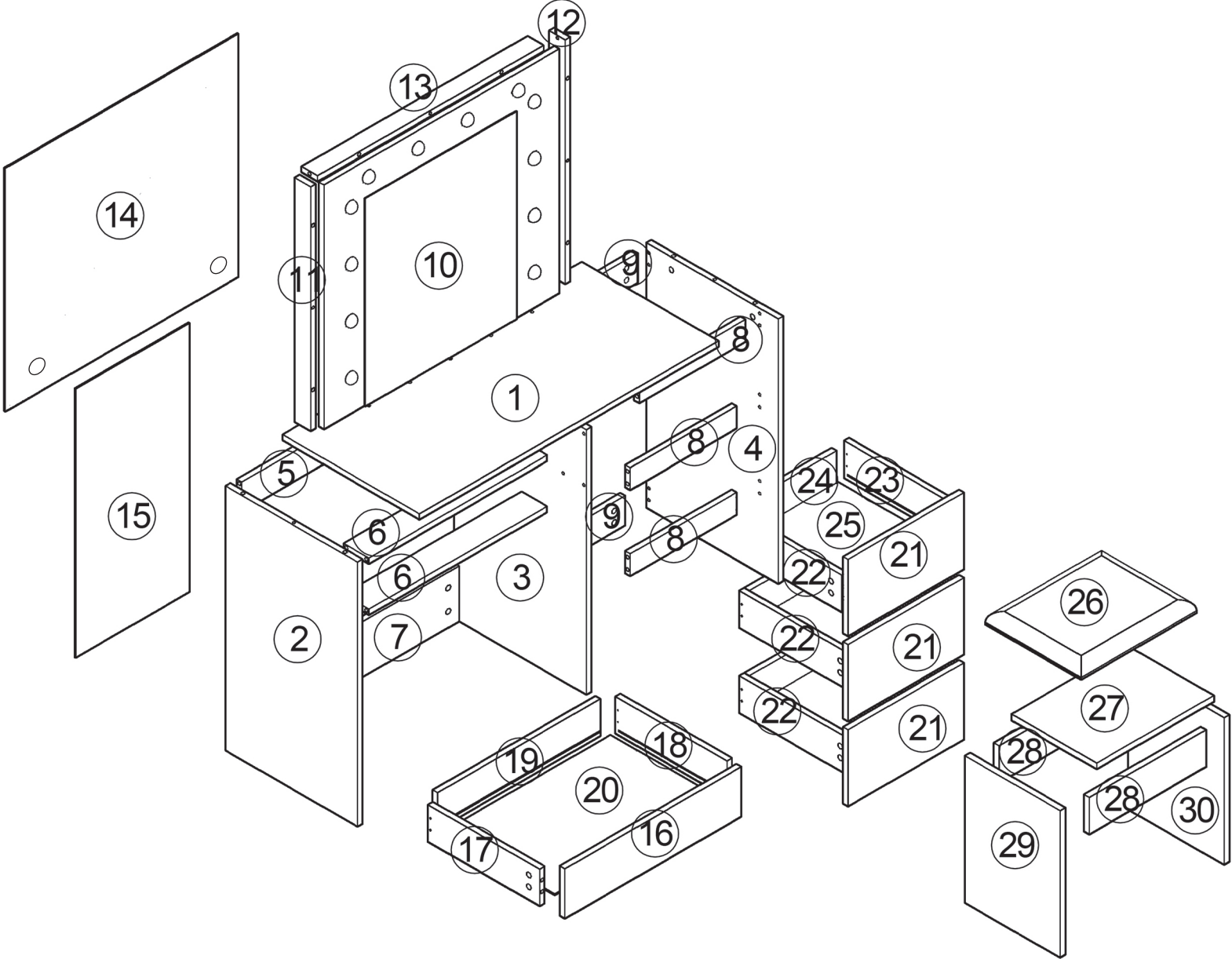


Do not fully tighten all screws until the step or process has been completed.

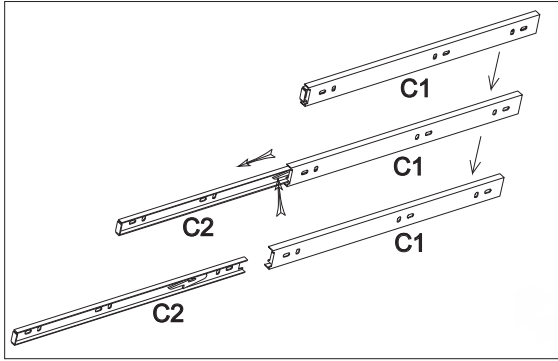
USEFUL INFORMATION

1. Never use power tools for assembly. They can damage the components or hardware if used incorrectly.
2. The most common mistakes made during assembly are using the wrong hardware or getting components from back to front.
3. Always assemble the product on a soft surface such as a carpet or cardboard to avoid scratching or damaging the surface of the product.

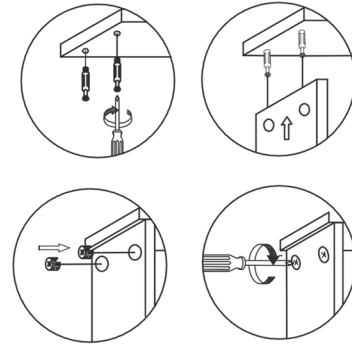
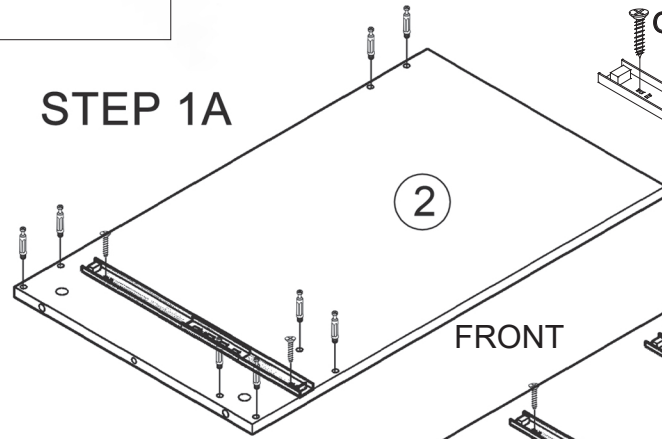
PARTS



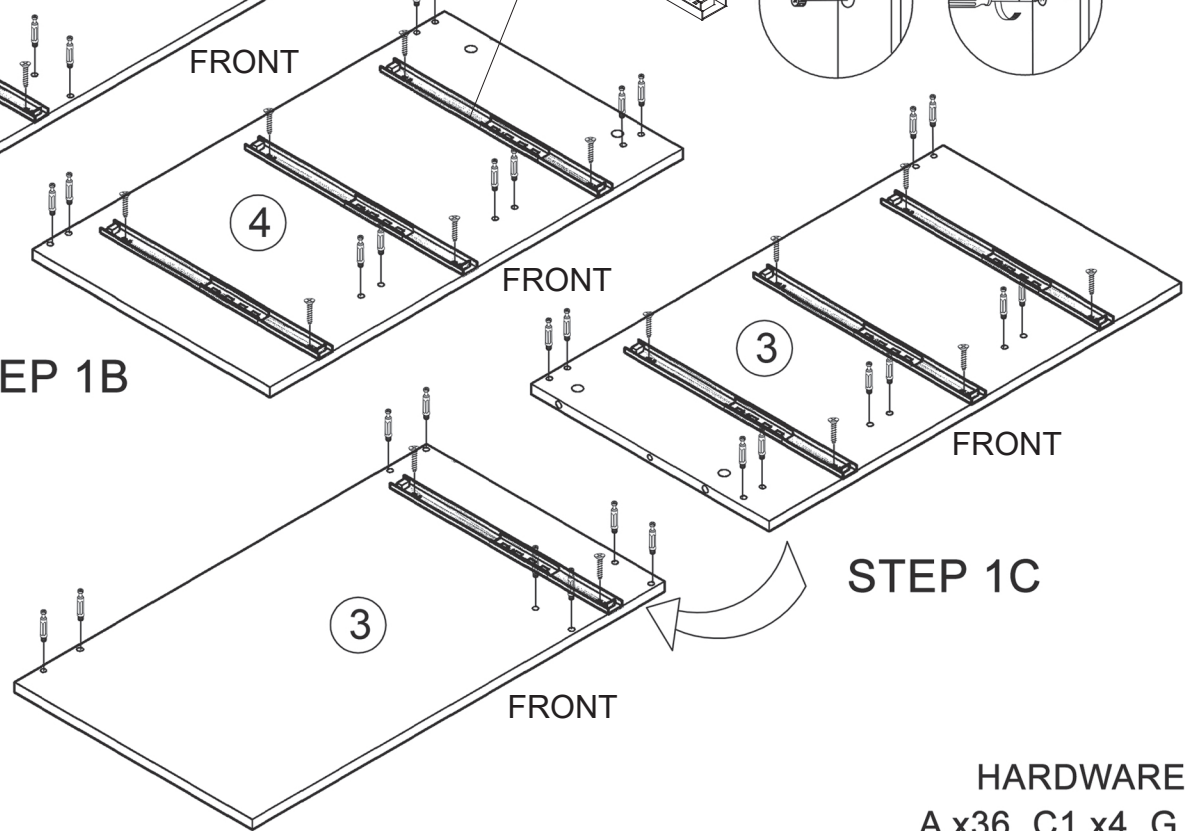
ASSEMBLY STEPS



STEP 1A



STEP 1B



STEP 1C

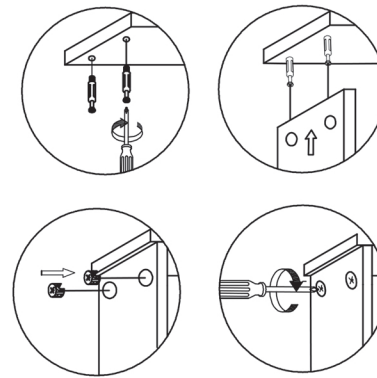
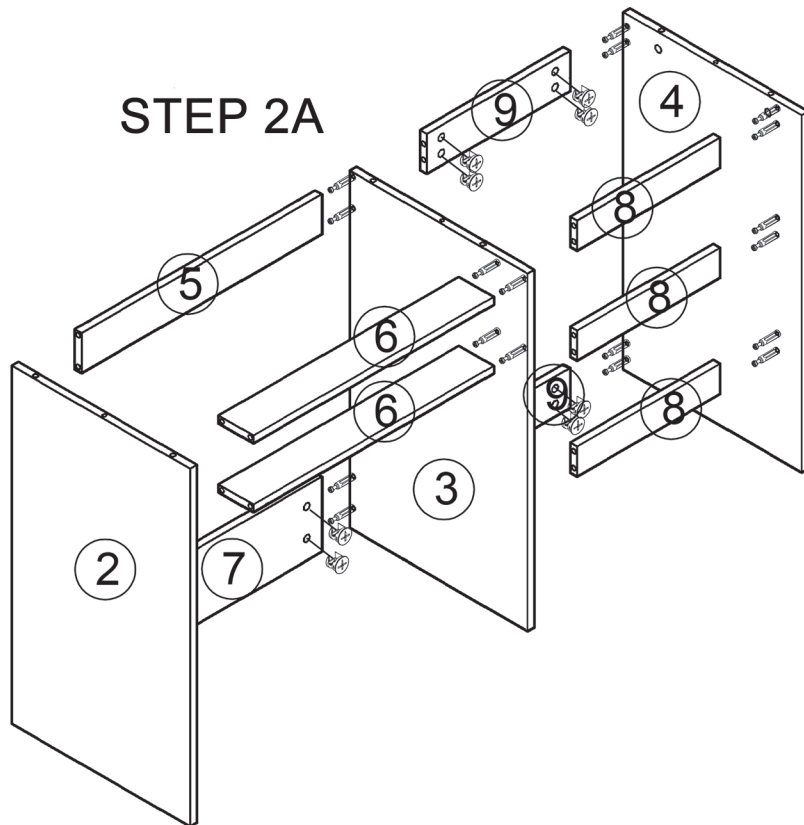
3

FRONT

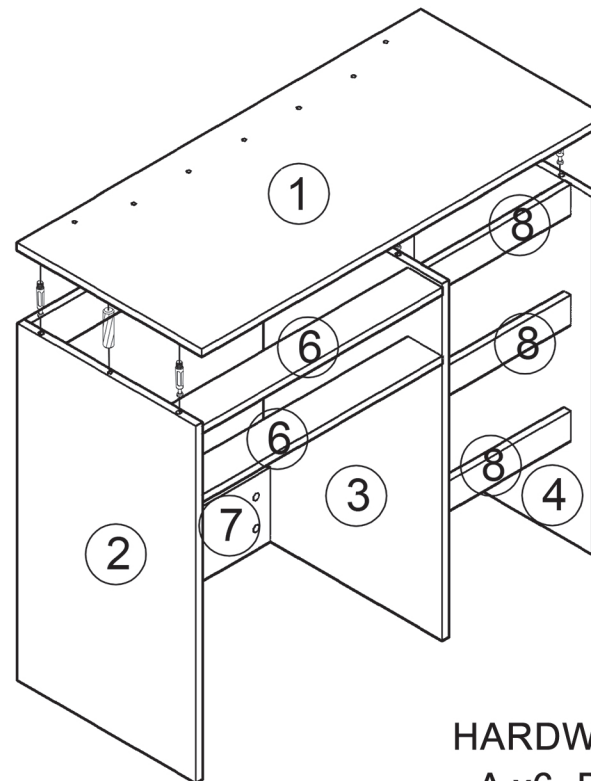
HARDWARE
A x36 C1 x4 G x16

ASSEMBLY STEPS

STEP 2A



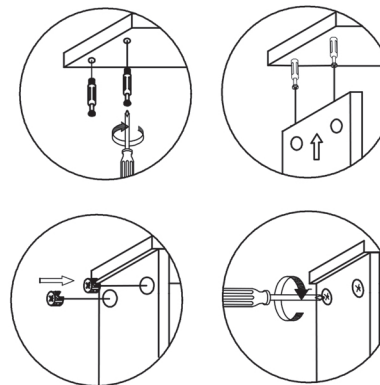
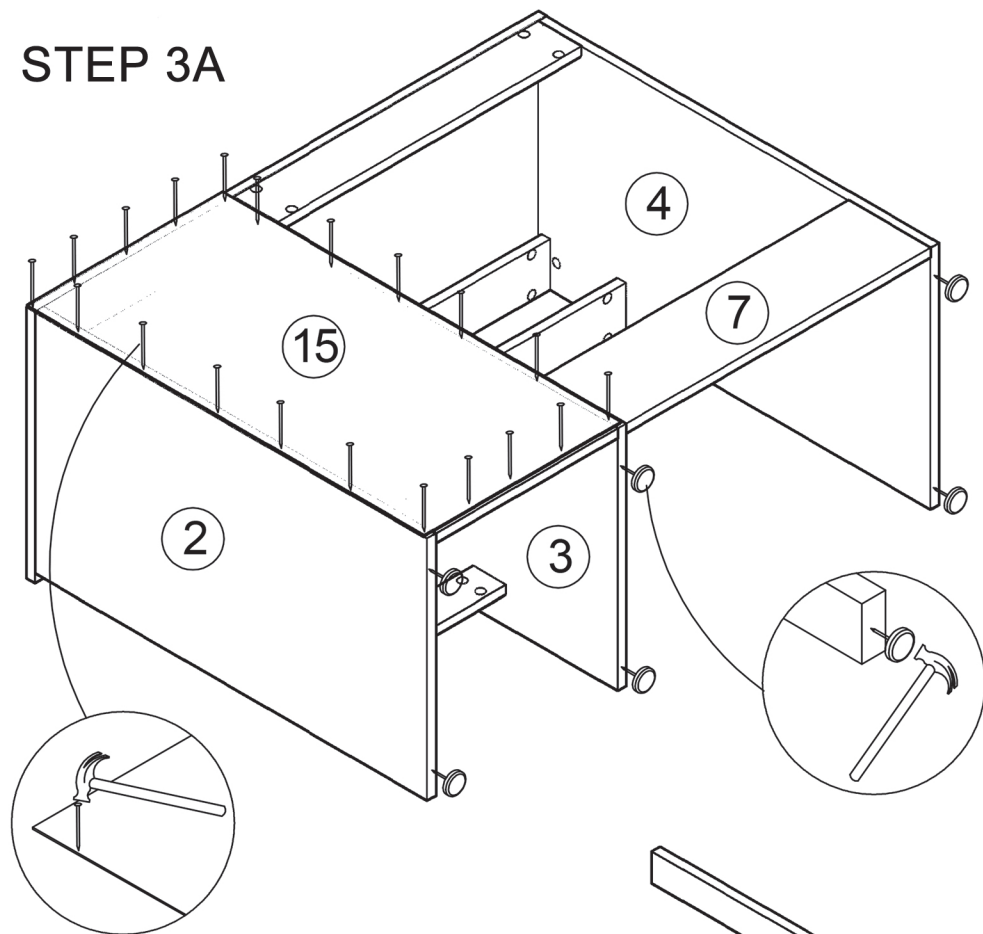
STEP 2B



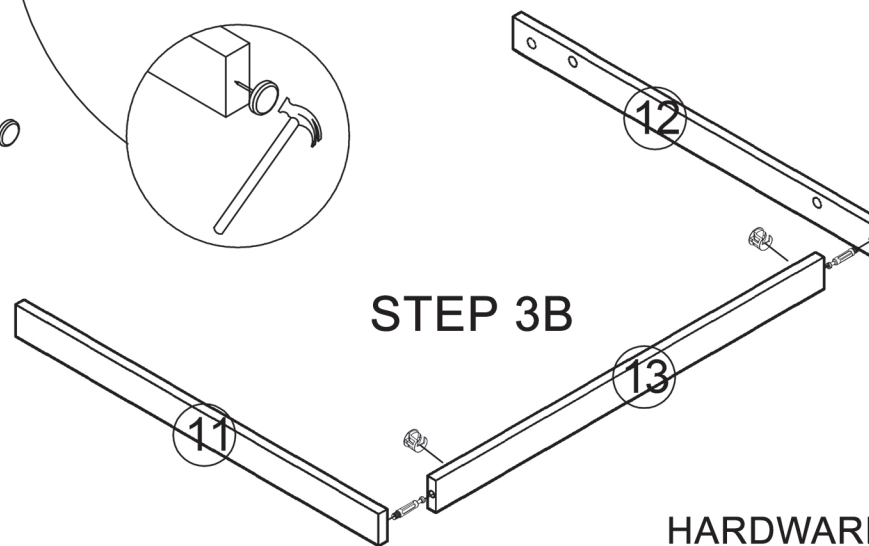
HARDWARE
A x6 B x3

ASSEMBLY STEPS

STEP 3A



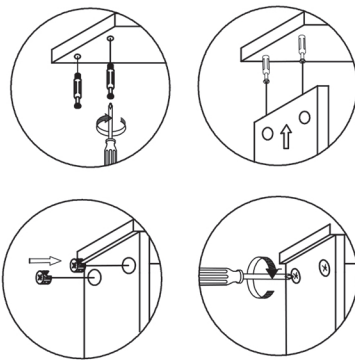
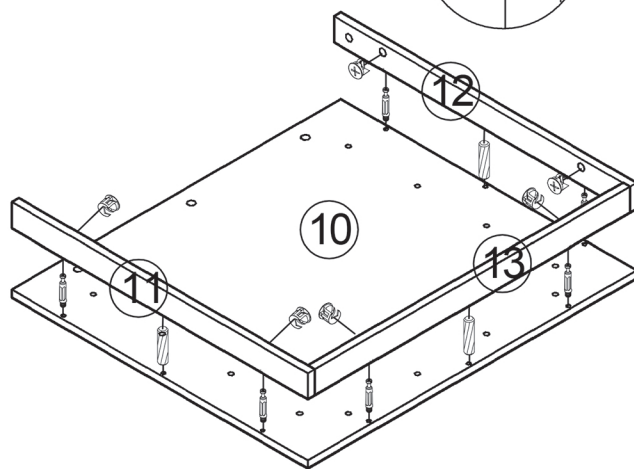
STEP 3B



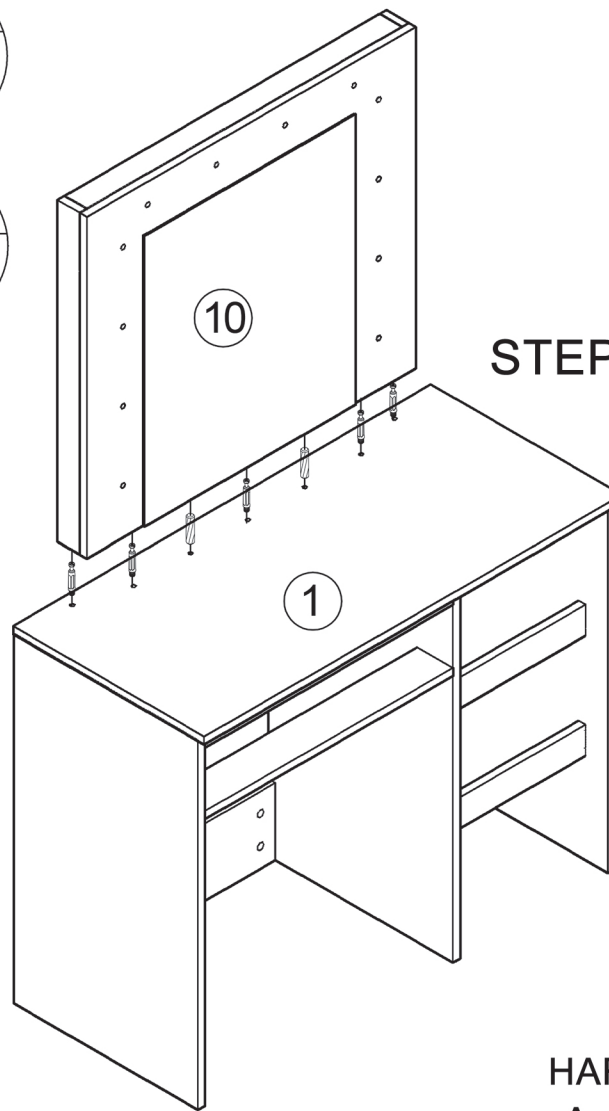
HARDWARE
A x2 D x6 E x30

ASSEMBLY STEPS

STEP 4A



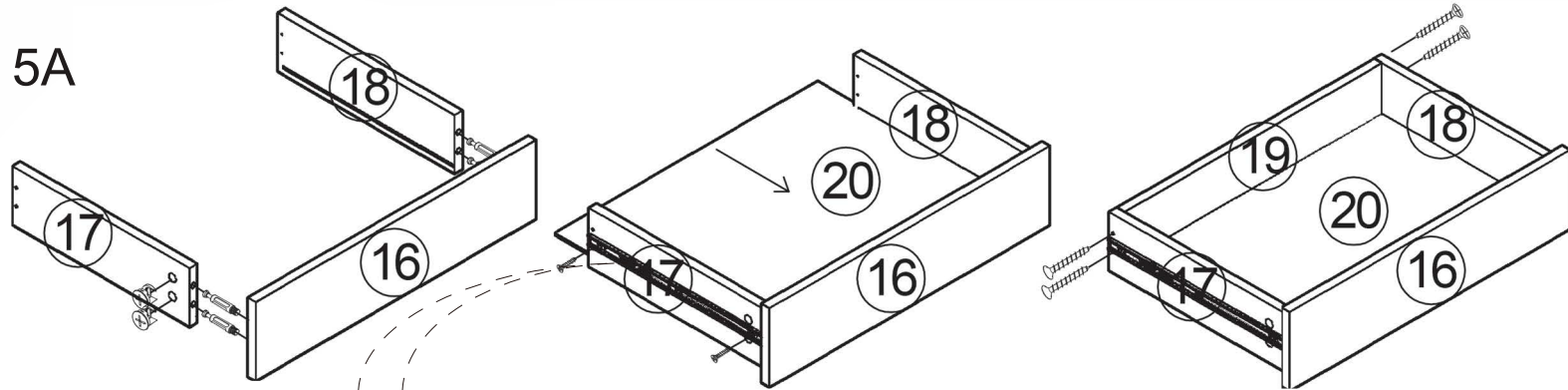
STEP 4B



HARDWARE
A x11 B x5

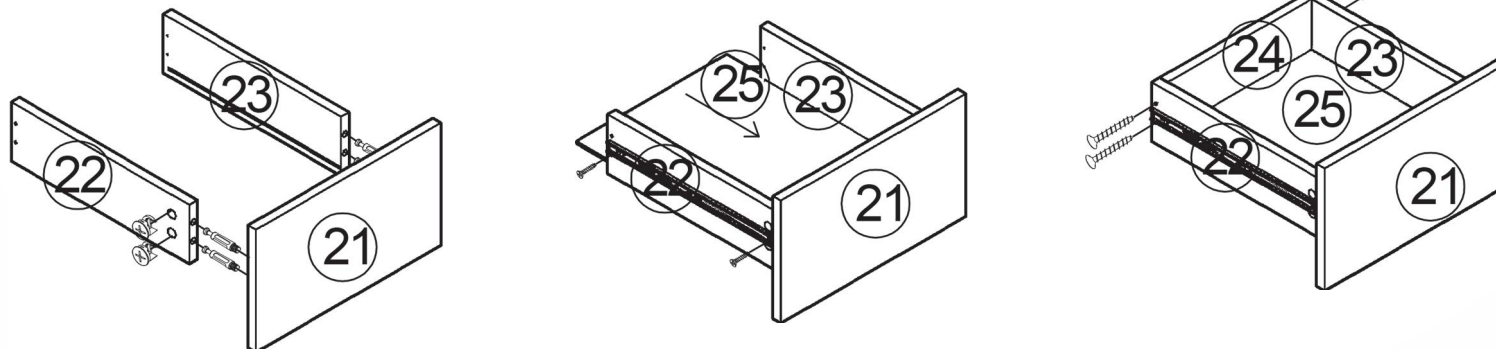
ASSEMBLY STEPS

STEP 5A



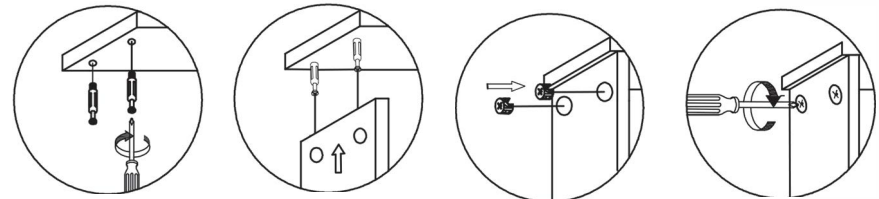
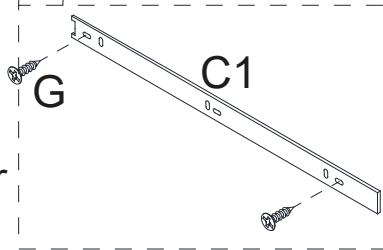
Assemble the large drawer

STEP 58



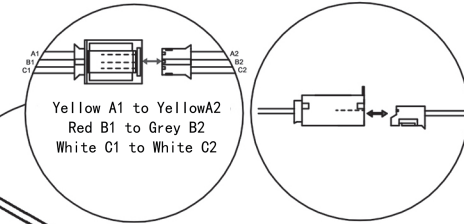
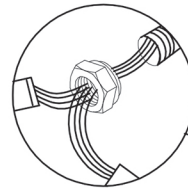
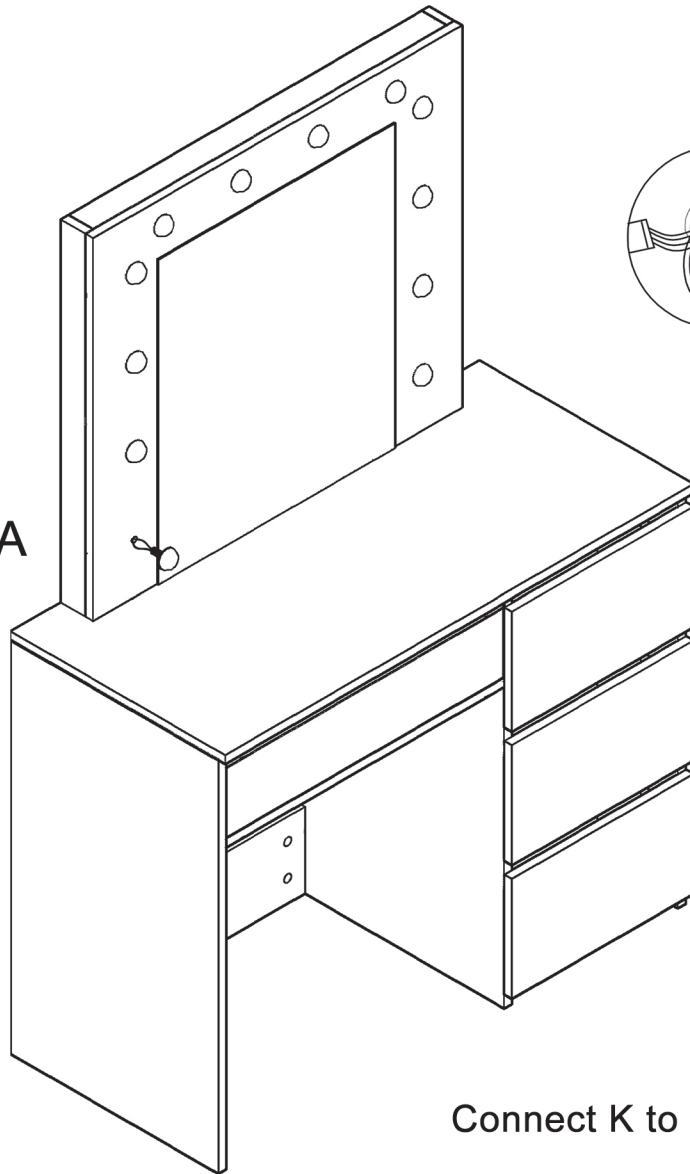
Assemble the 3 side drawers

HARDWARE
Ax16 C2x4 Gx16 Hx16

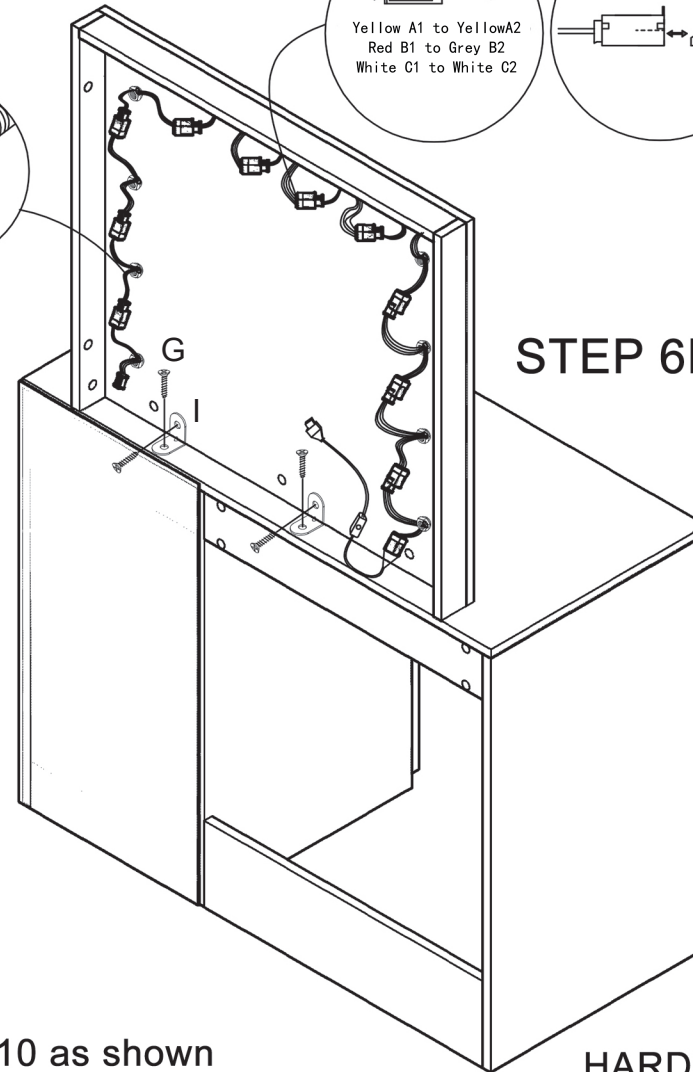


ASSEMBLY STEPS

STEP 6A



STEP 6B



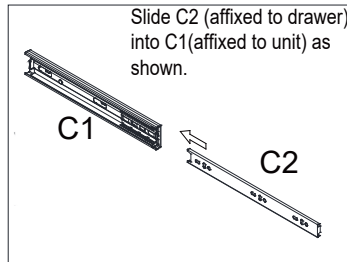
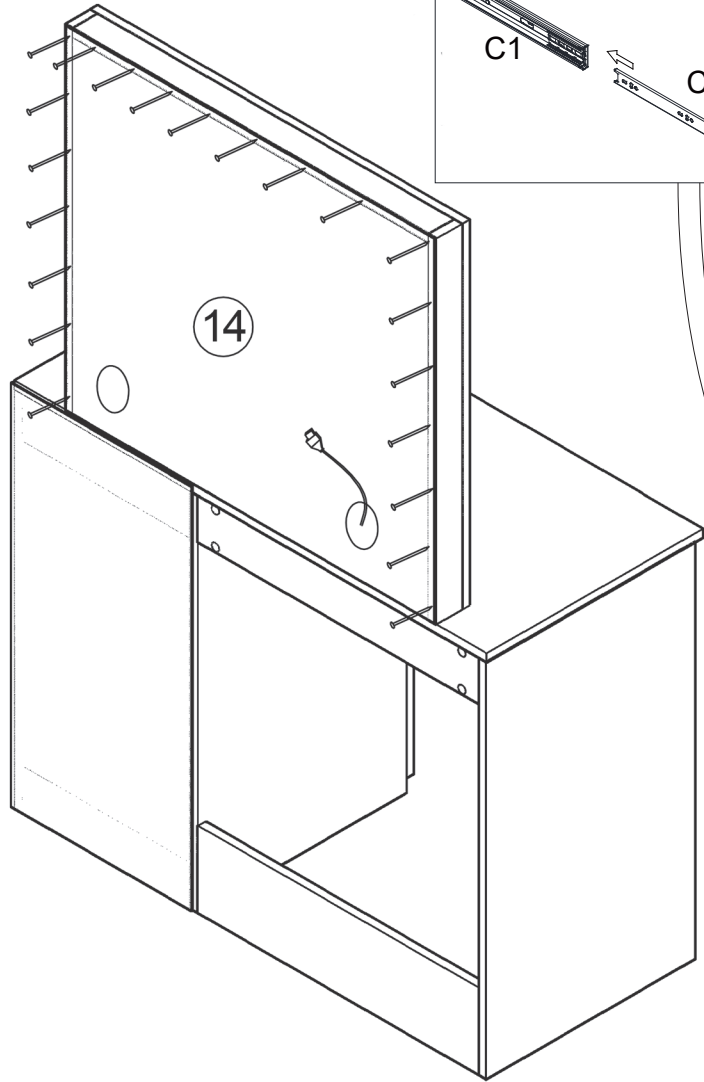
Connect K to Part 10 as shown

HARDWARE

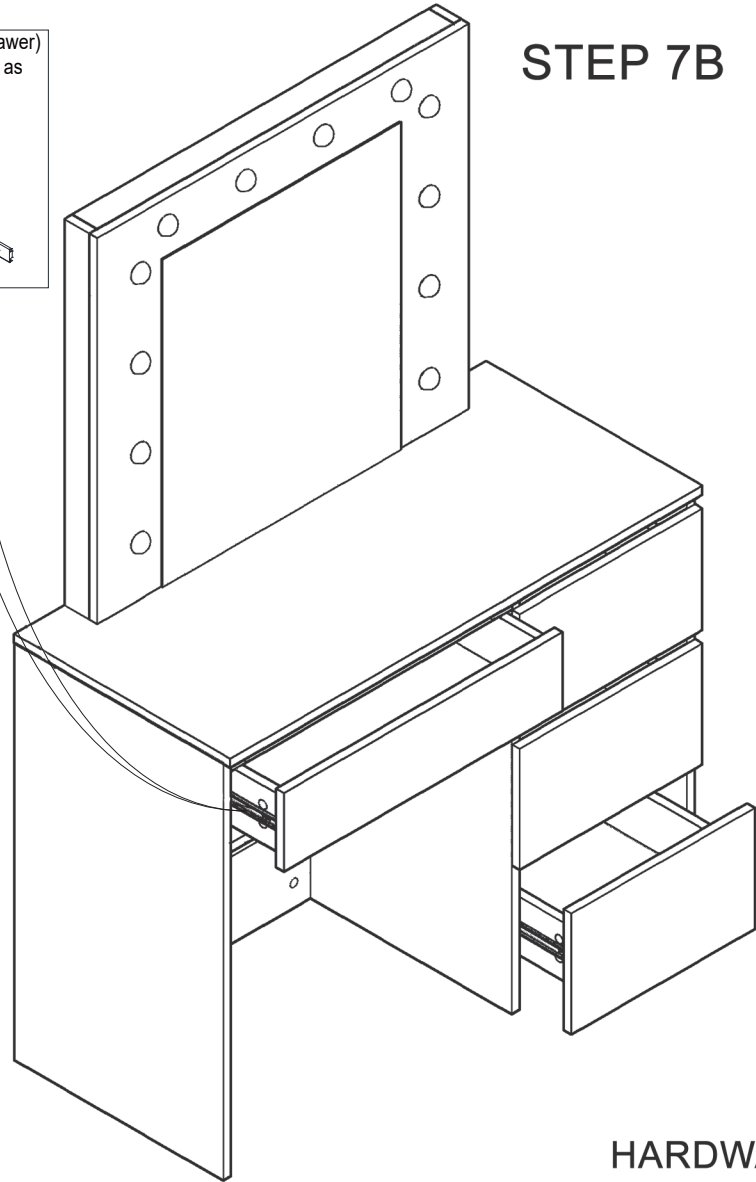
- K x1 set
- I x 2 pcs
- G x 4 pcs

ASSEMBLY STEPS

STEP 7A

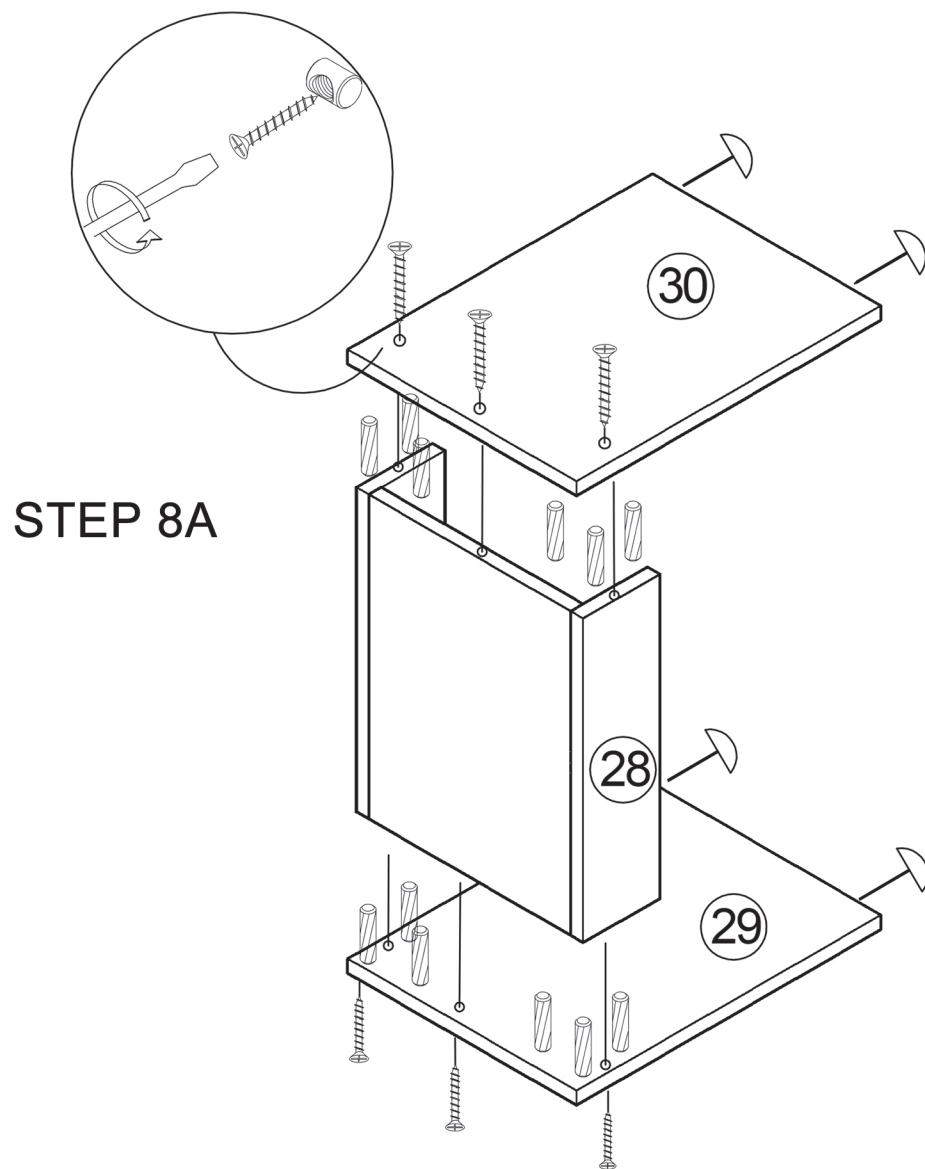


STEP 7B



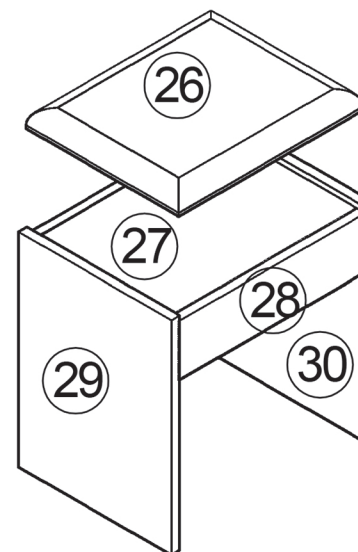
HARDWARE
E x50

ASSEMBLY STEPS

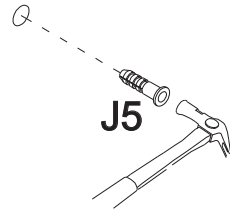
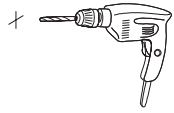


Assemble the stool as shown

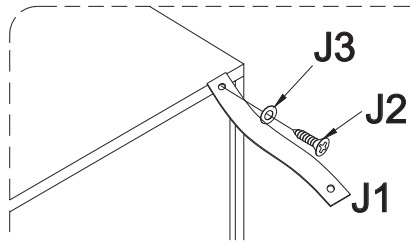
STEP 8B



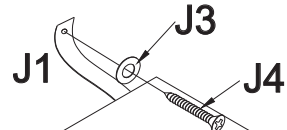
HARDWARE
B x12 D x4 F x6



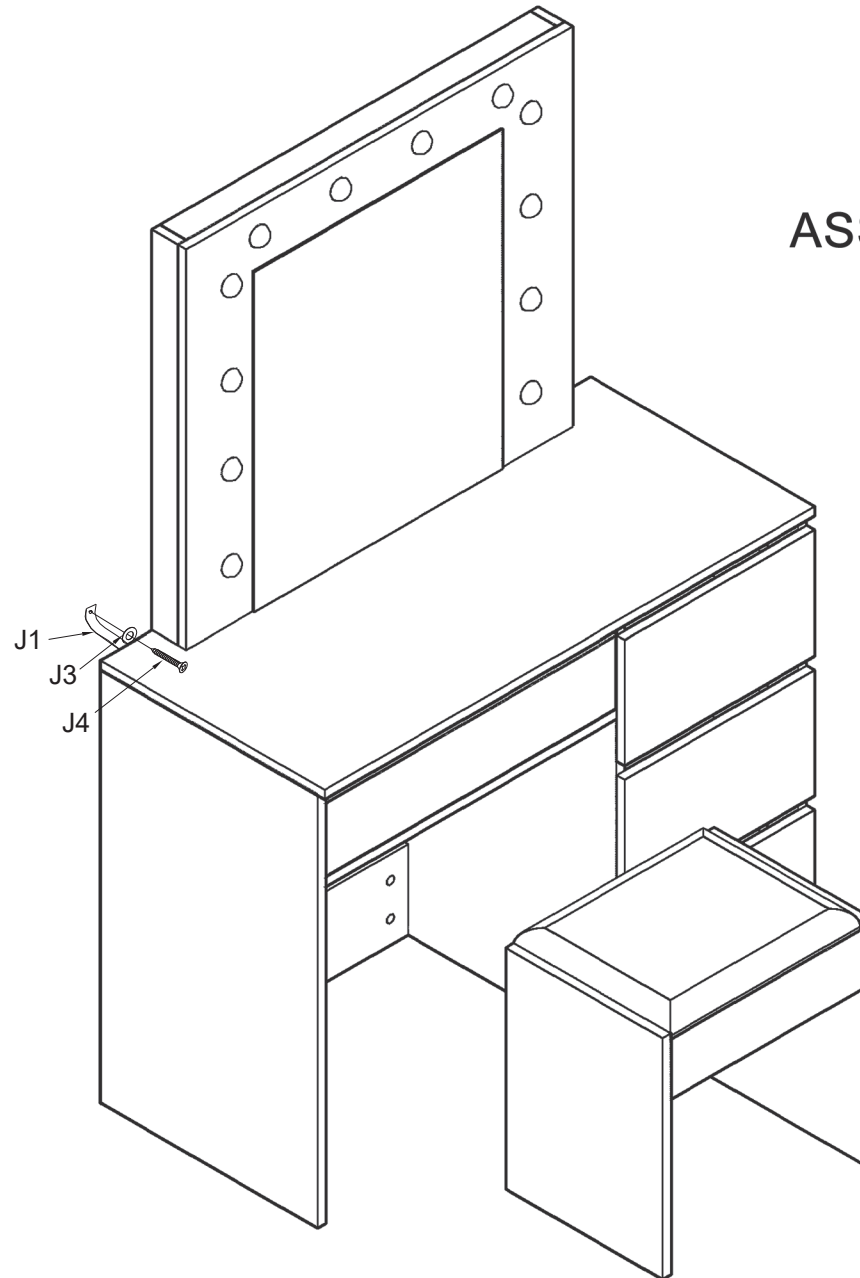
Pre-drilled hole in wall
Lightly tap J5 into hole



Attach J1 to back of bedside
table with J2 and J3



Secure J4 to wall
with J3 and J1



ASSEMBLY COMPLETED

J x2 sets