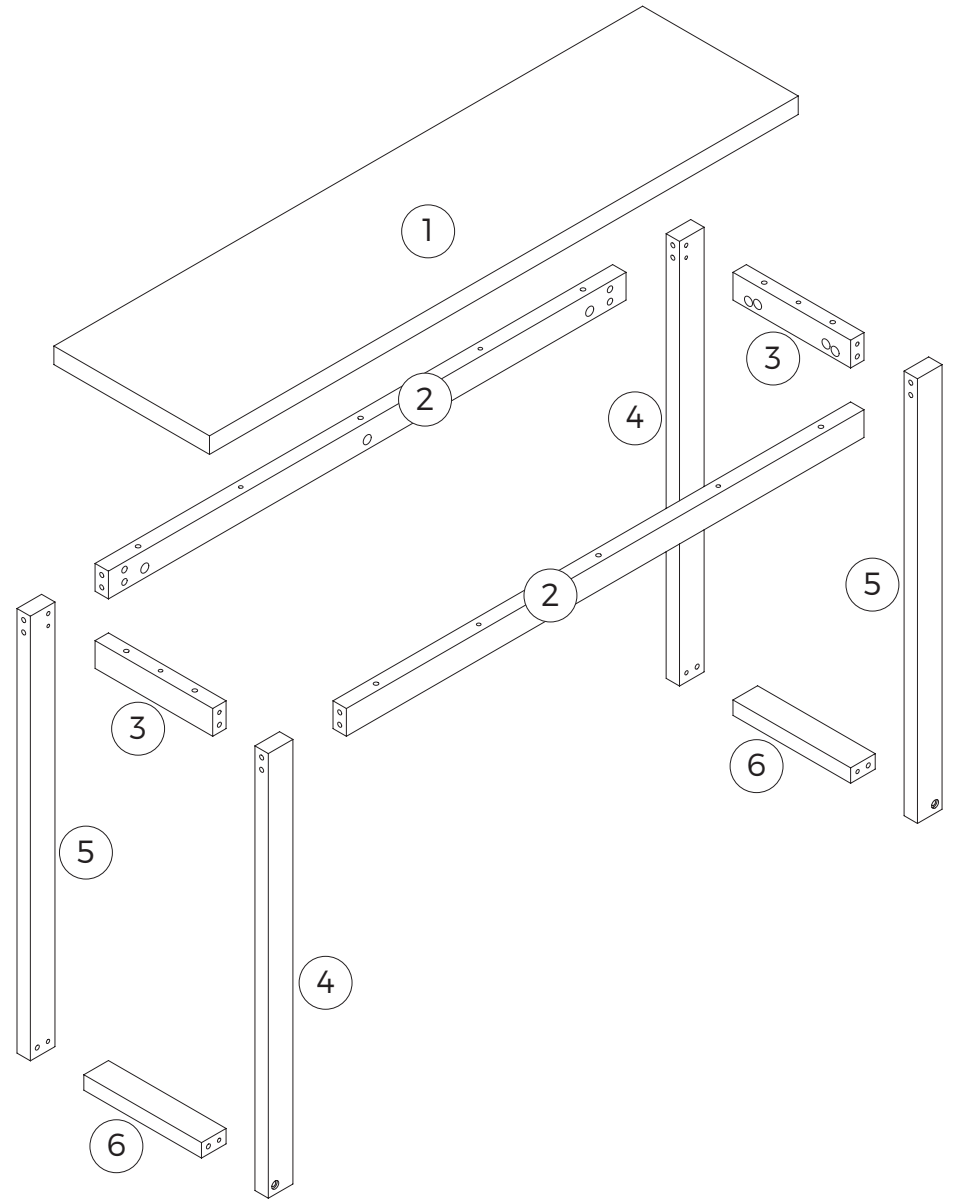
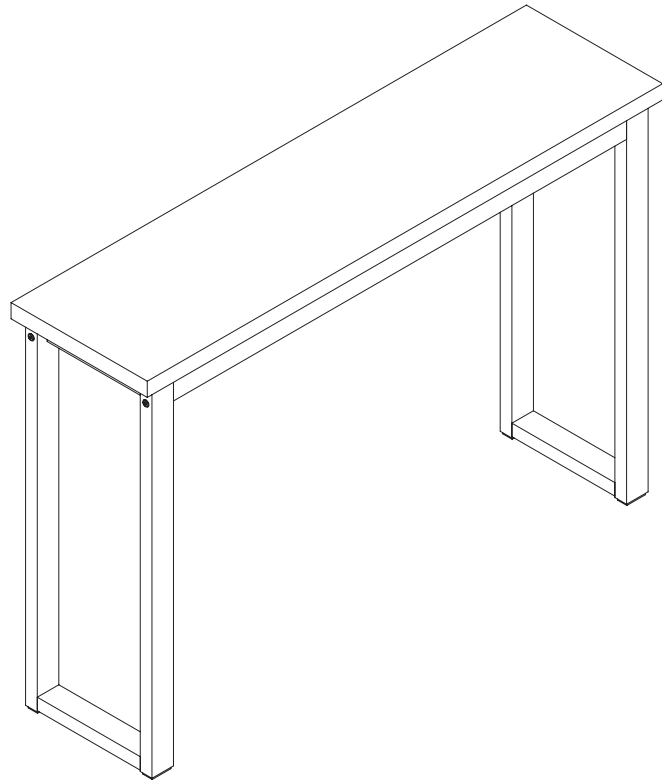
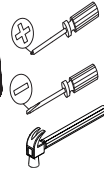



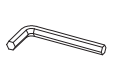











TWO PEOPLE

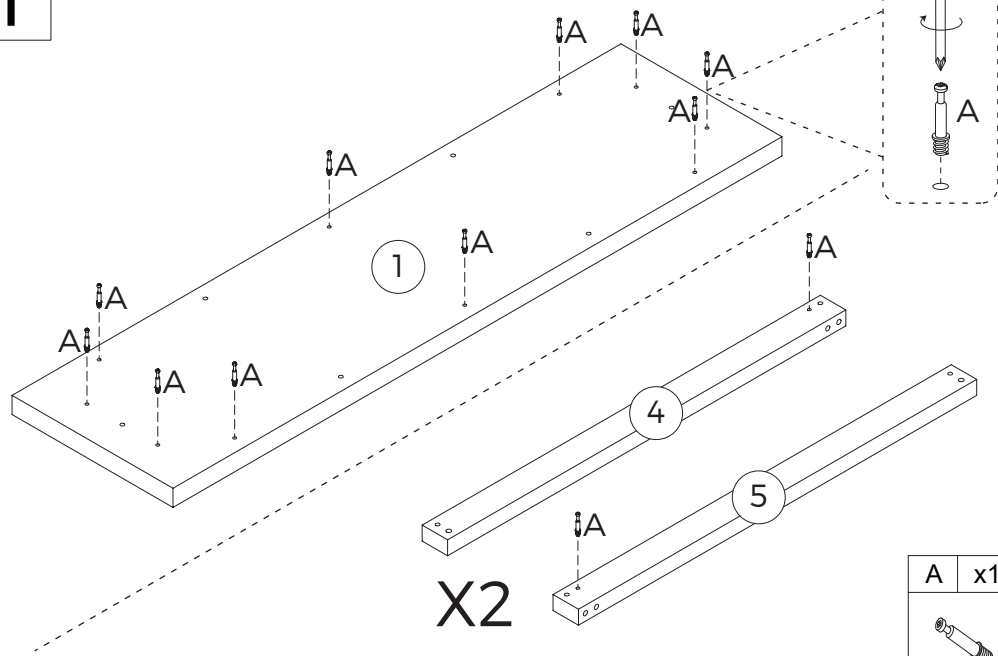


REQUIRED



A	x14	B	x14	C	x14	D	x1	E	x12	F	x4	G	x8
							4mm				6x55mm		6x80mm
H	x4	I	x4	J	x2	K	x2	L	x2	M	x2		
	20mm						4x14mm				4x30mm		

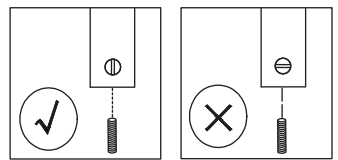
1



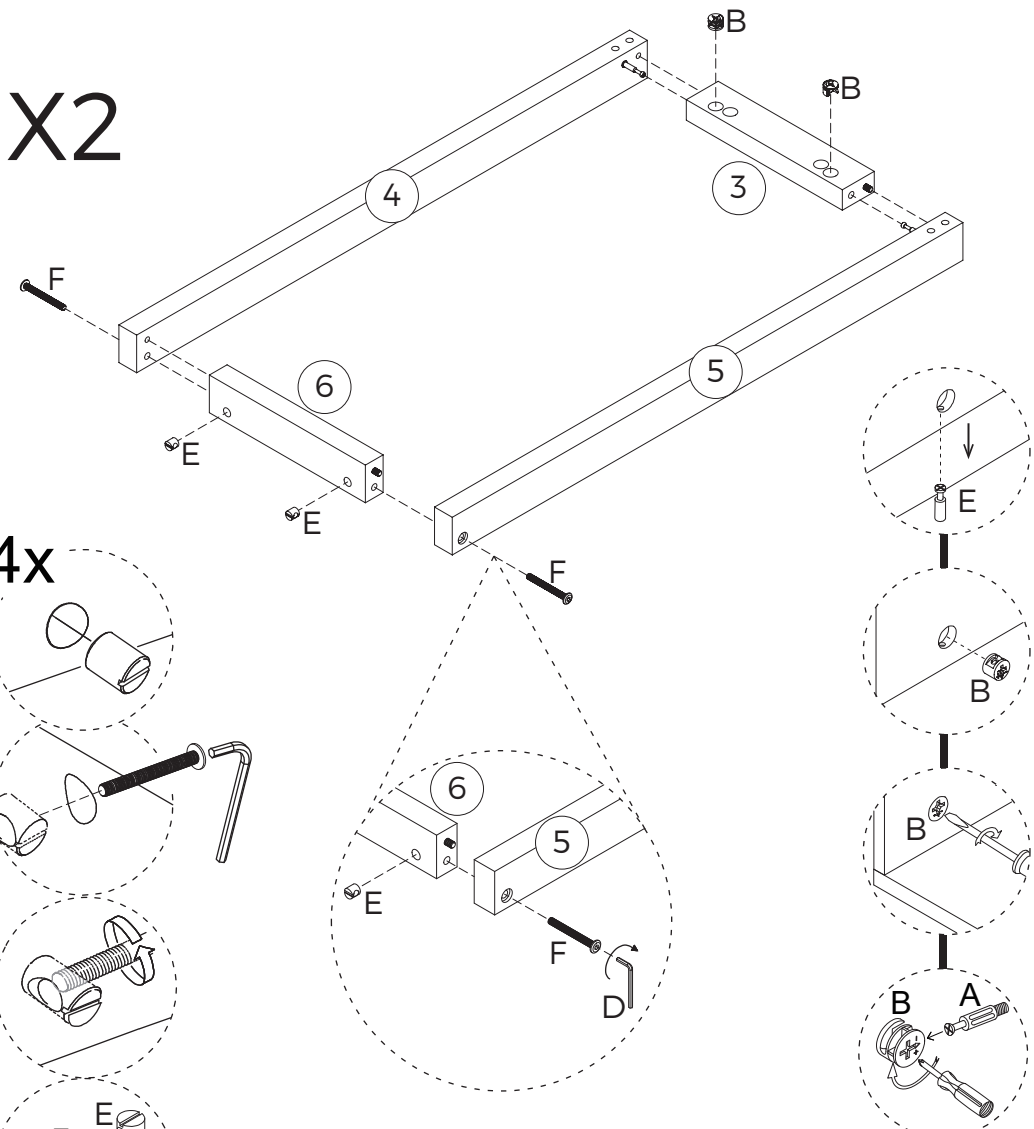
X2

A	x14

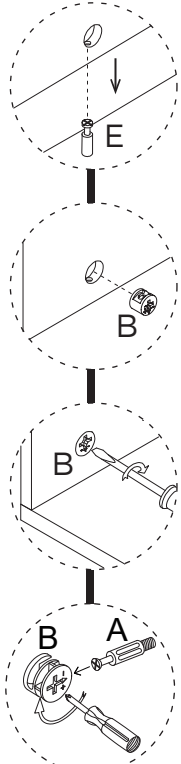
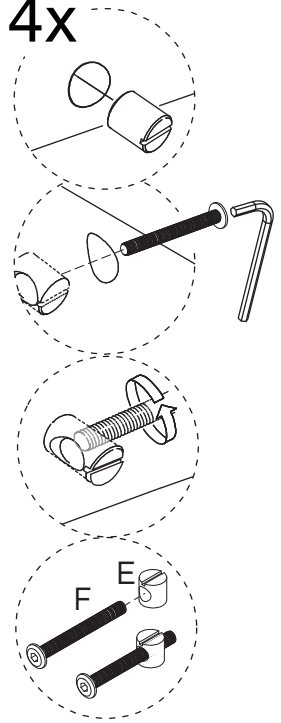
3



X2

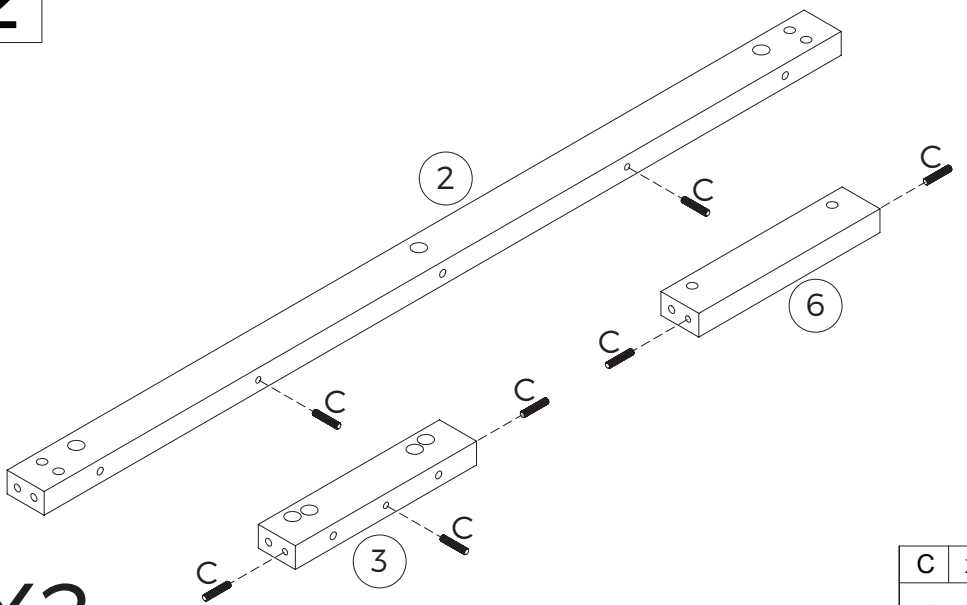


4x



B	x4	D	x1	E	x4	F	x4

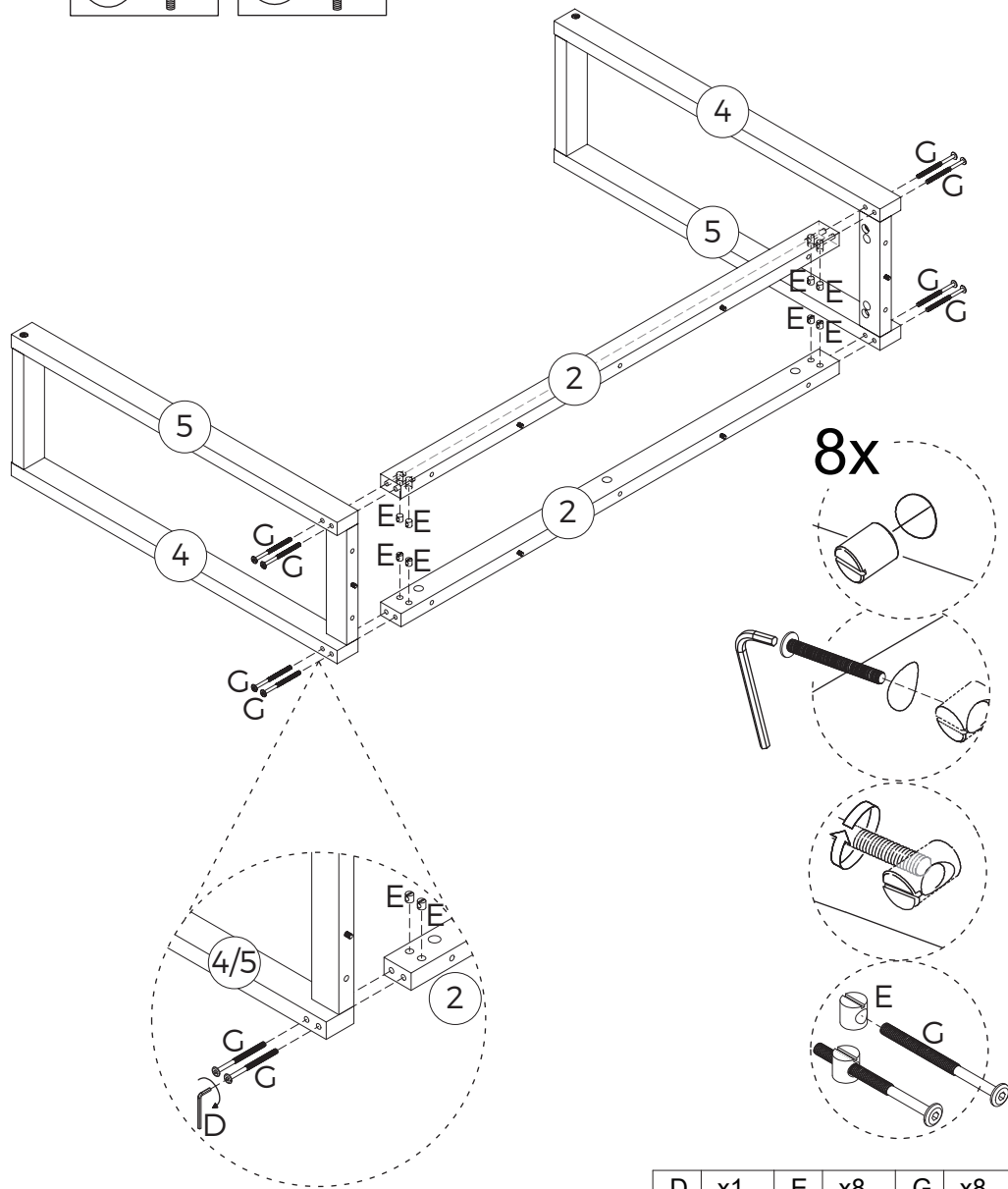
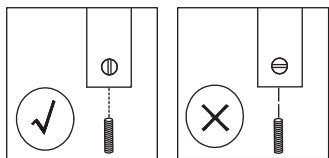
2



X2

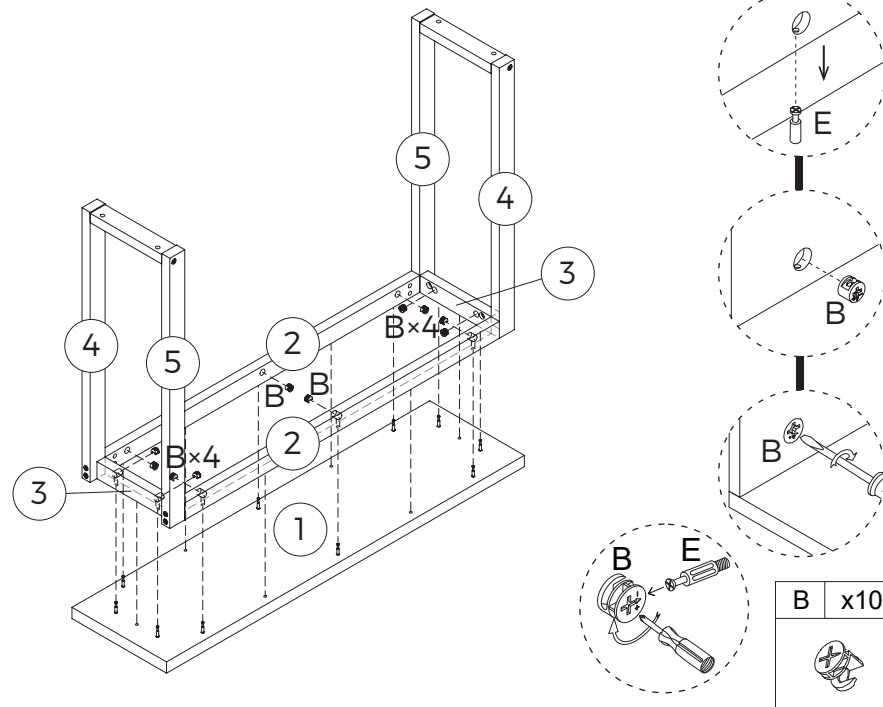
C	x14

4



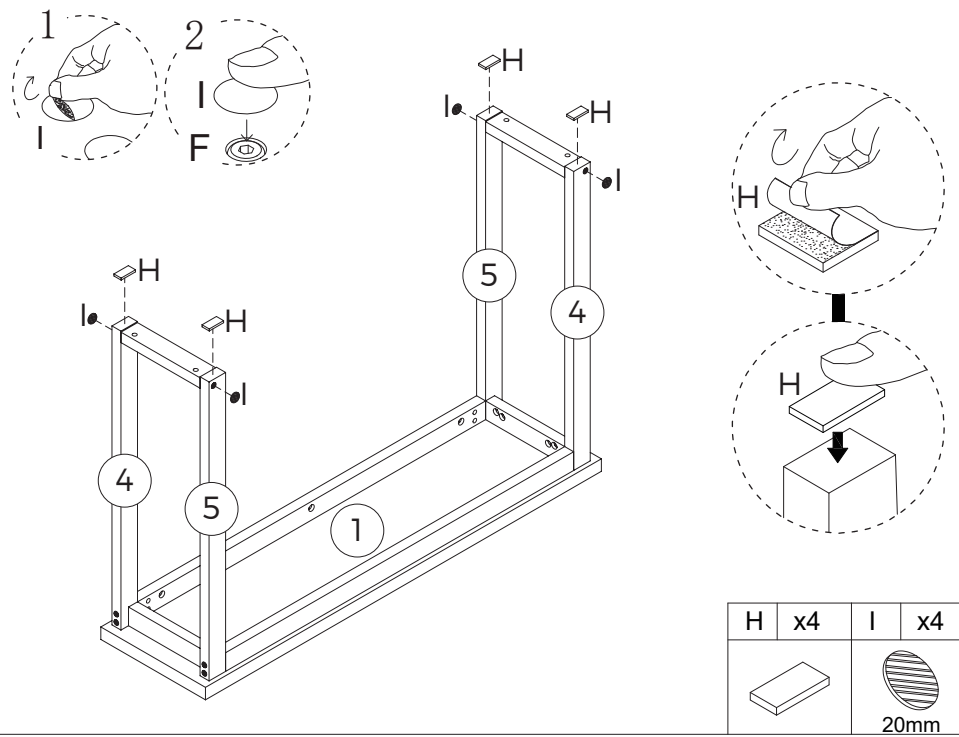
D	x1	E	x8	G	x8
4mm				6x80mm	

5



B	x10

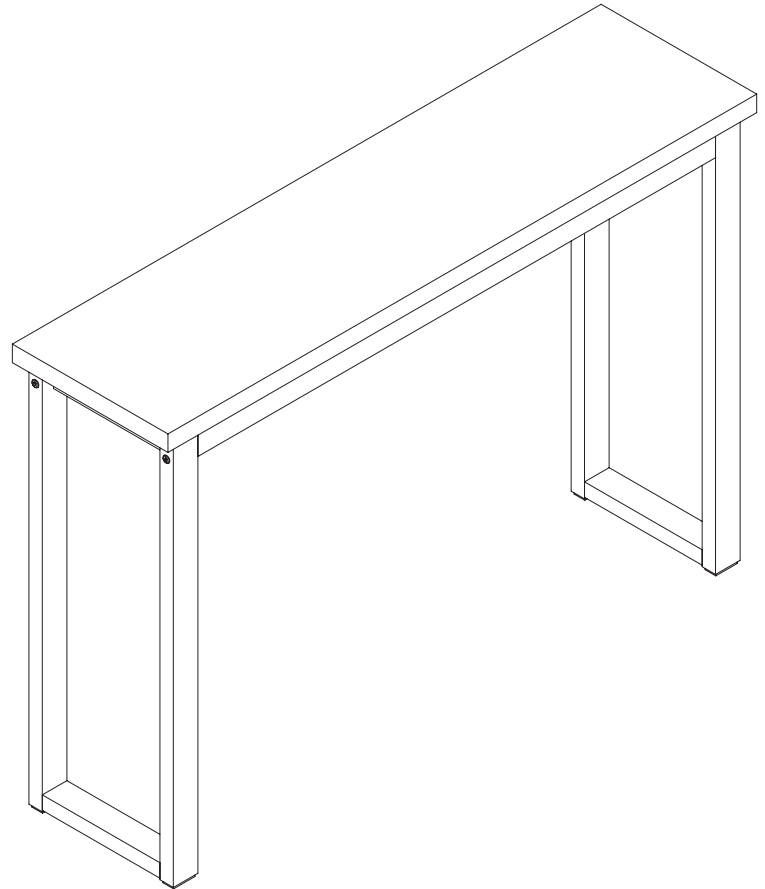
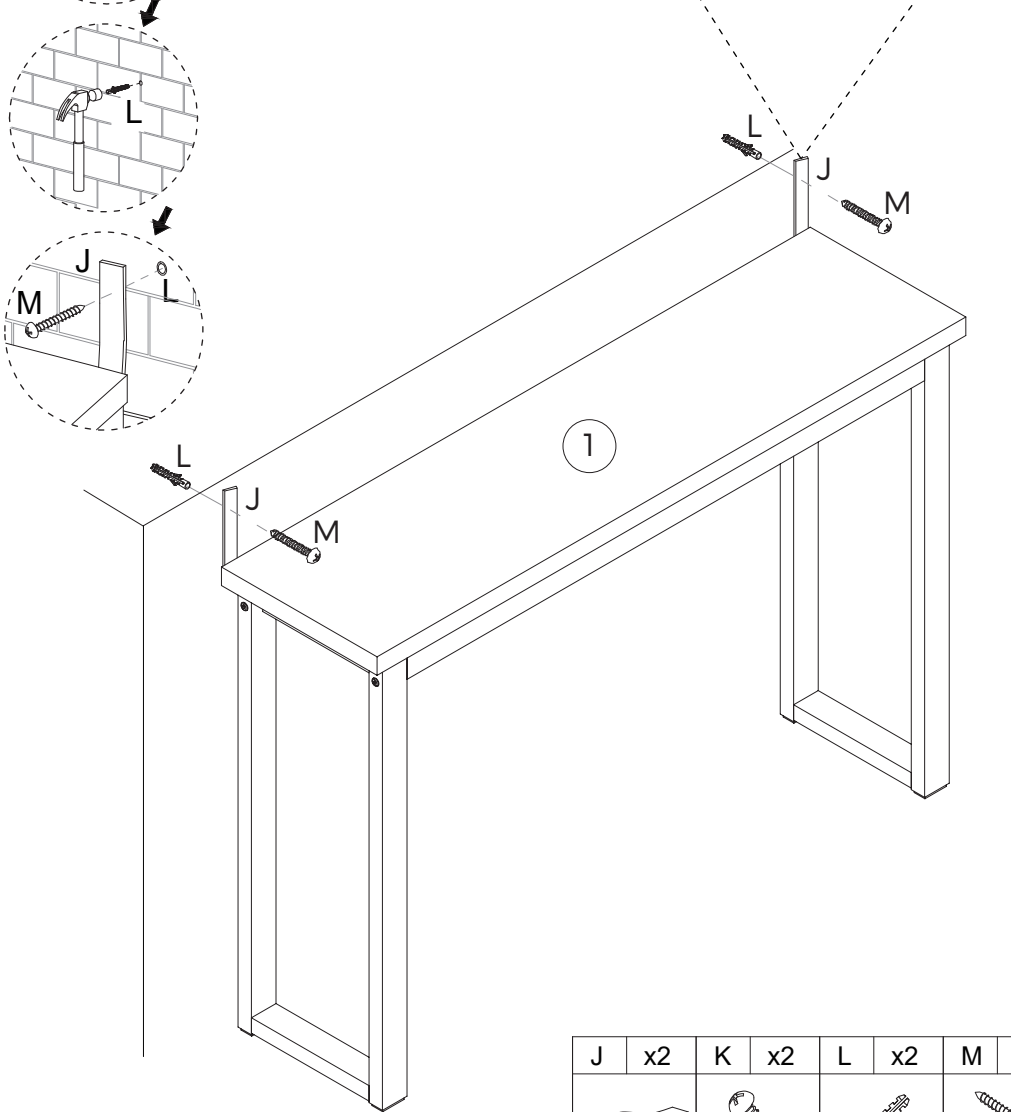
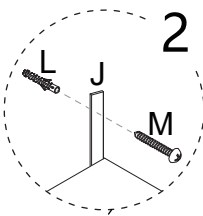
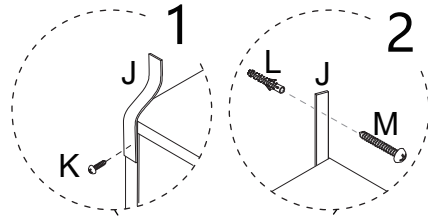
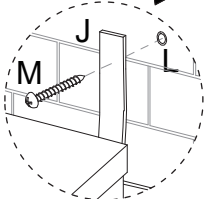
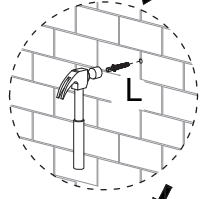
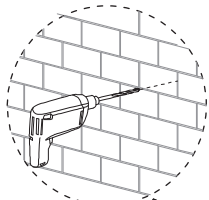
6







H	x4	I	x4
		20mm	

# 7

## Pre-drill hole in wall



J	x2	K	x2	L	x2	M	x2
							
		4x14mm				4x30mm	