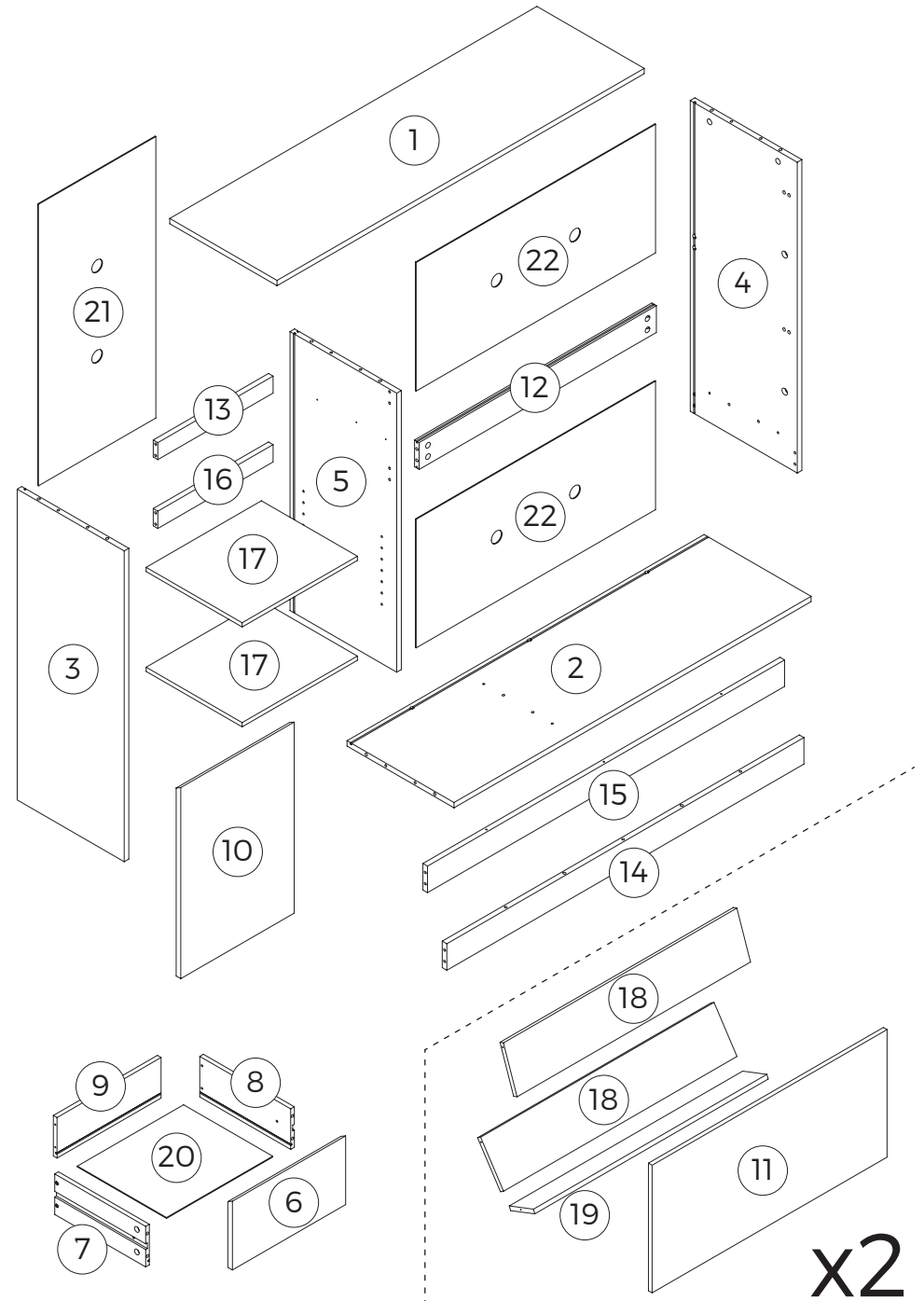
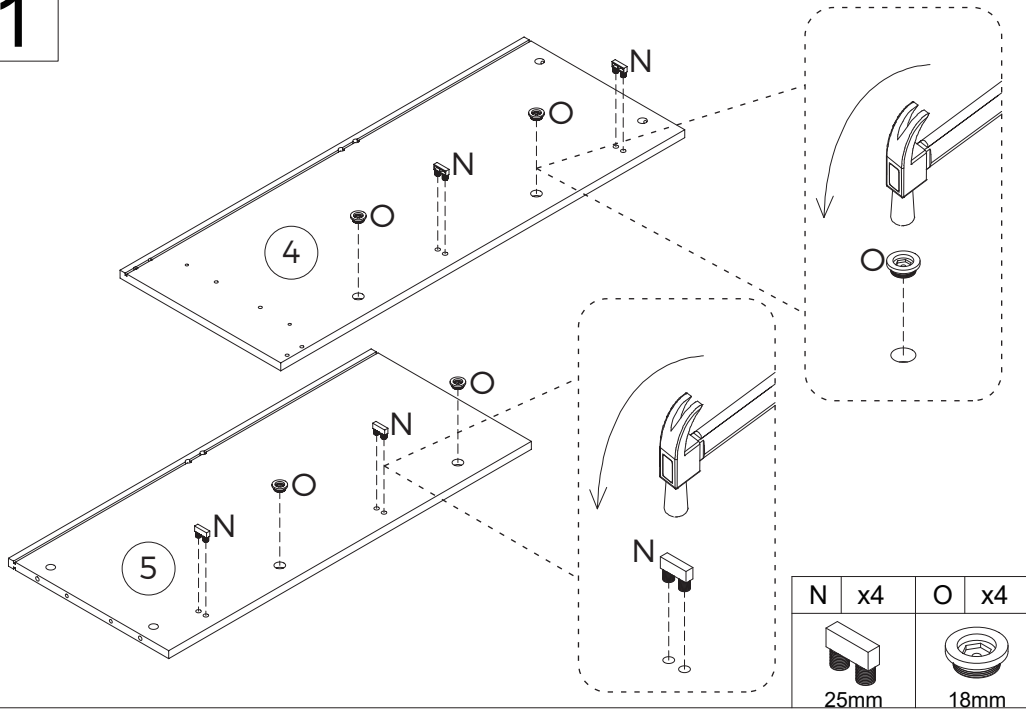


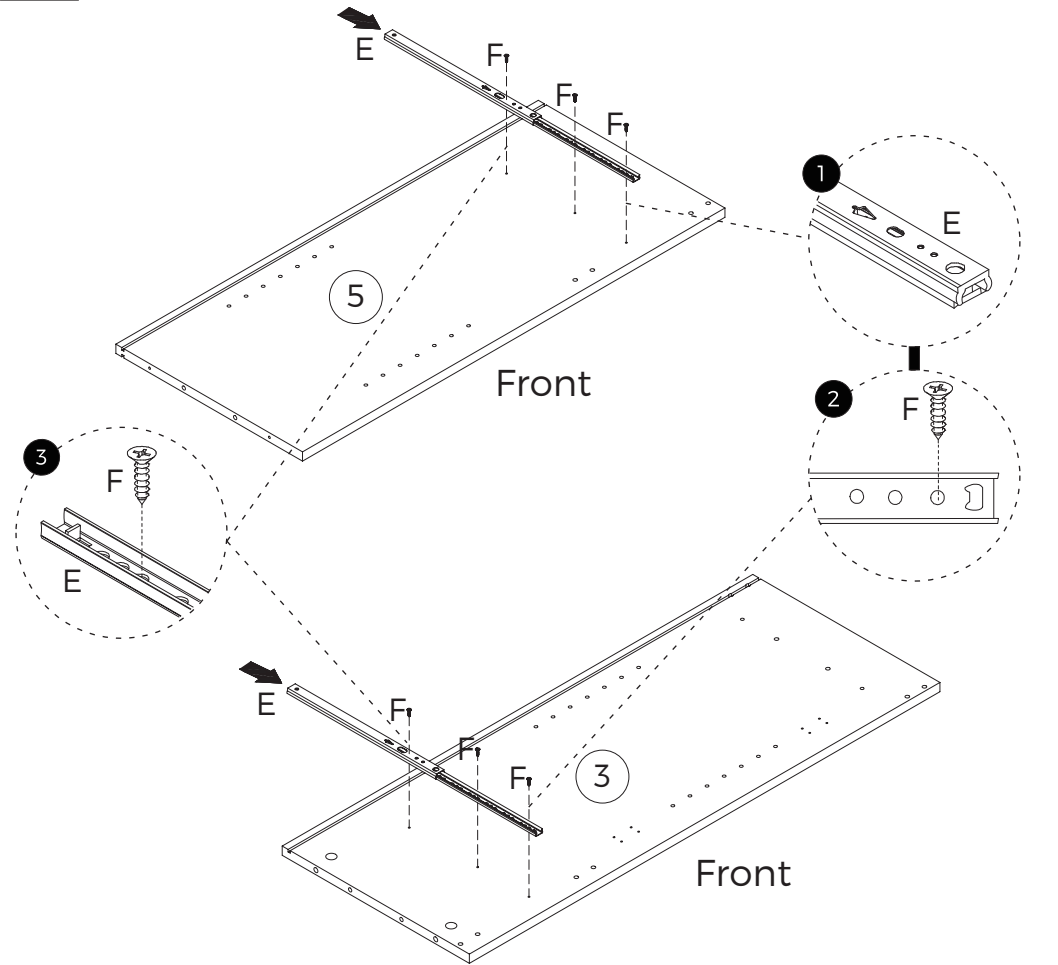
A	x20	B	x20	C	x31	D	x9	E	x2	F	x6	G	x8
			4x40mm	278mm	3x12mm								
H	x22	I	x36	J	x2	K	x2	L	x4	M	x4	N	x4
3x14mm	3.5x14mm			18mm	4x12mm	25mm							
O	x4	P	x8	Q	x2	R	x2	S	x2	T	x2	U	x2
18mm				4x11mm									
V	x2												
4x30mm													



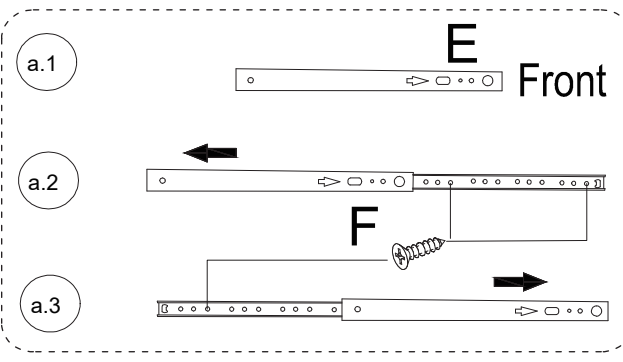
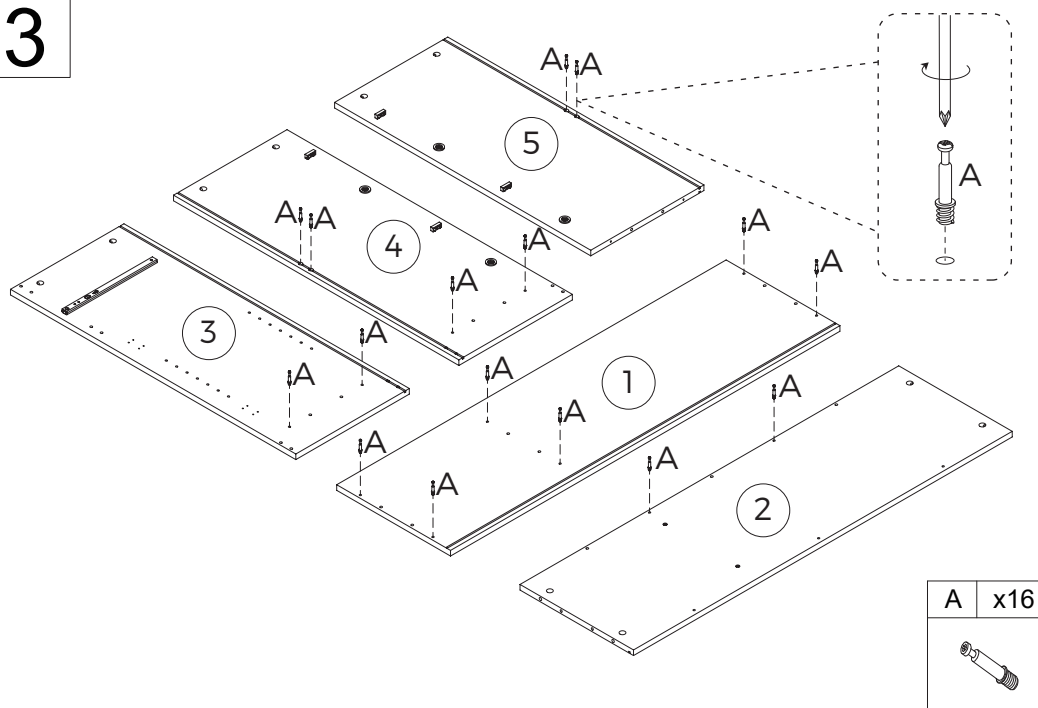
1



2

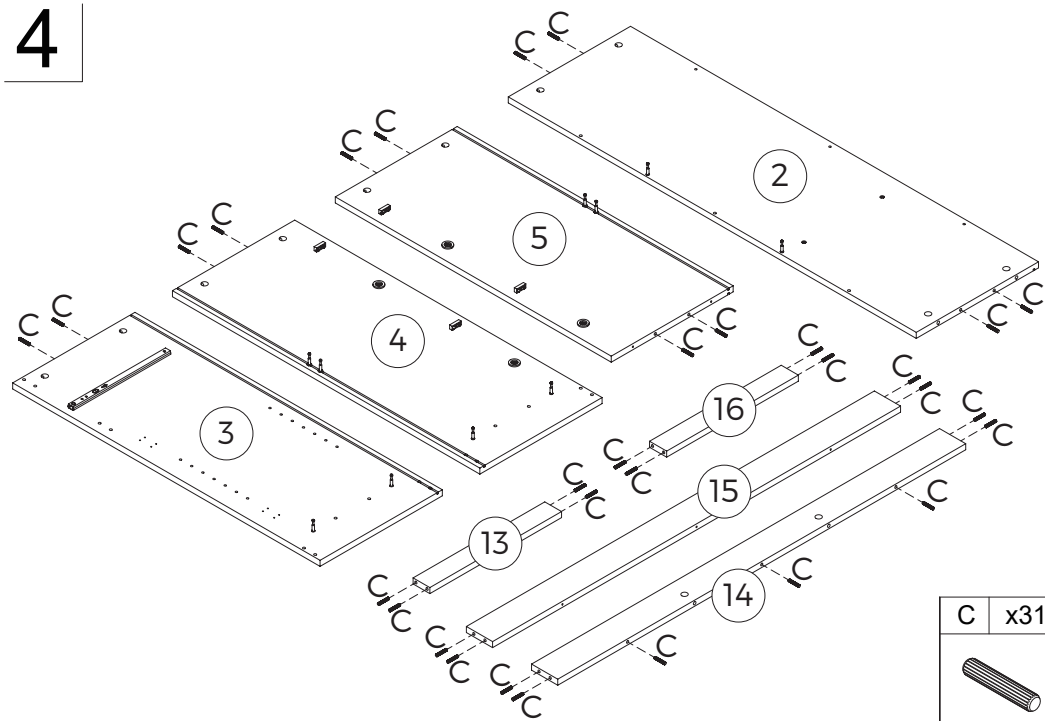


3

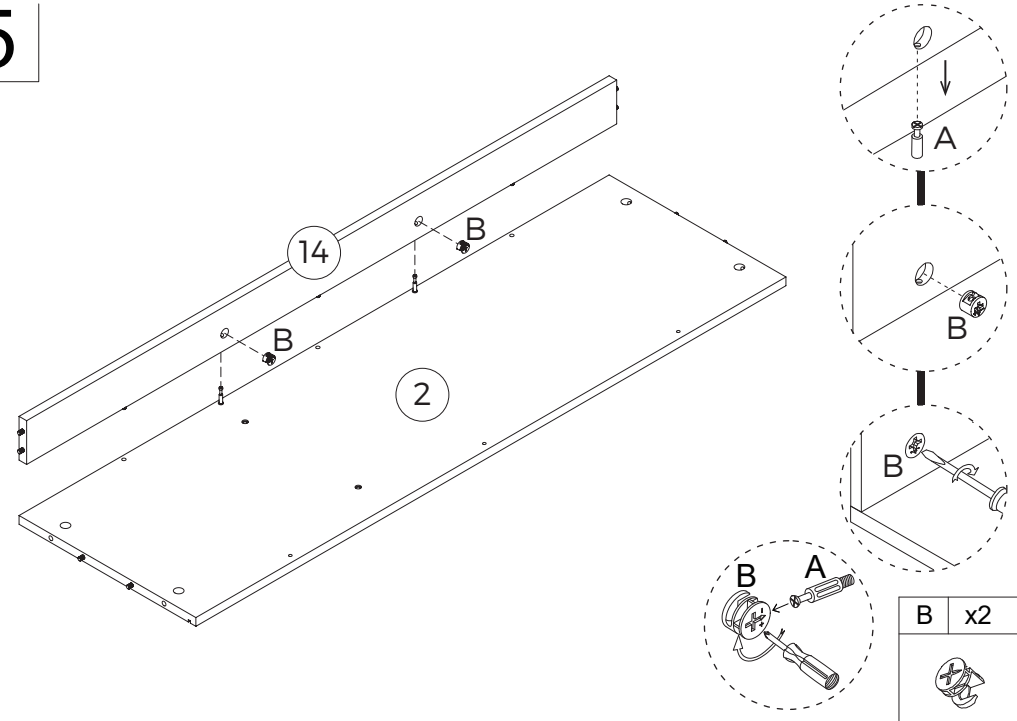


E	x2	F	x6
	278mm		3x12mm

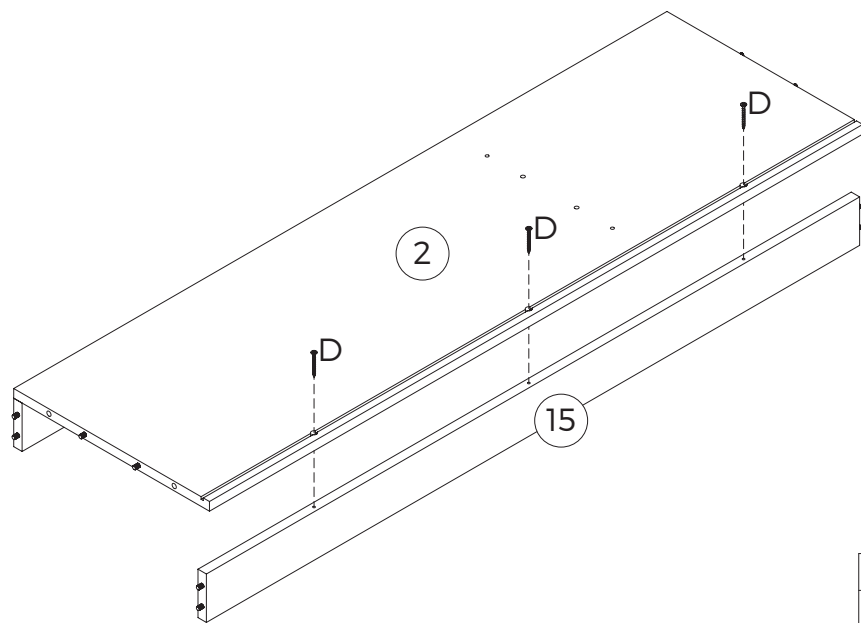
4



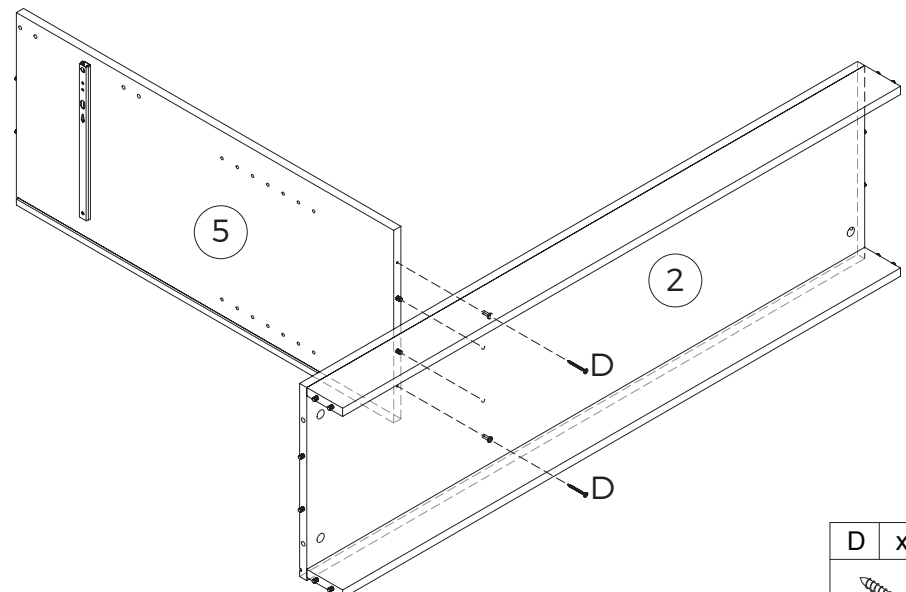
5



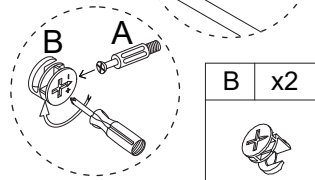
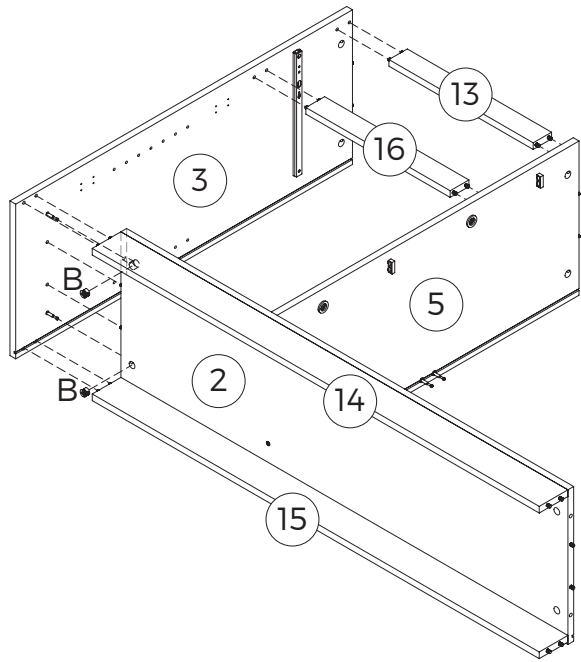
6



7



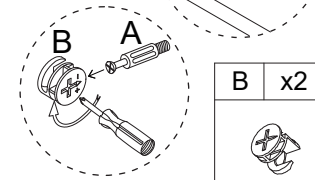
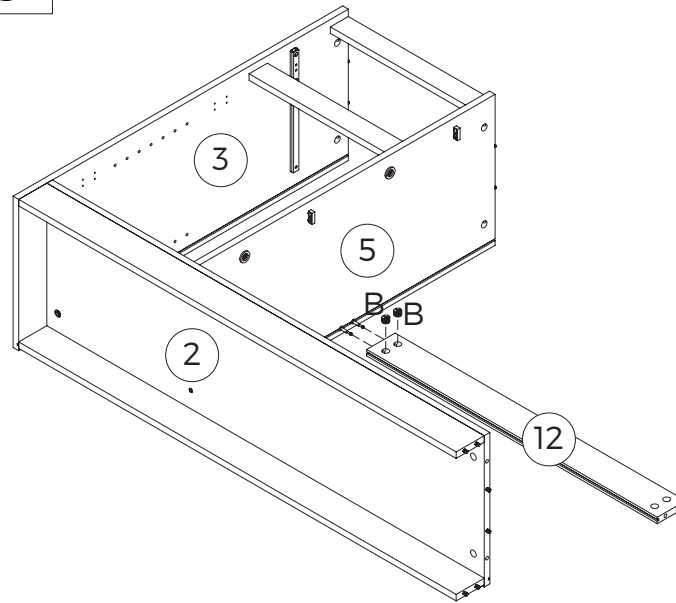
8



B x2



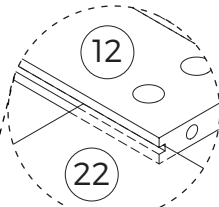
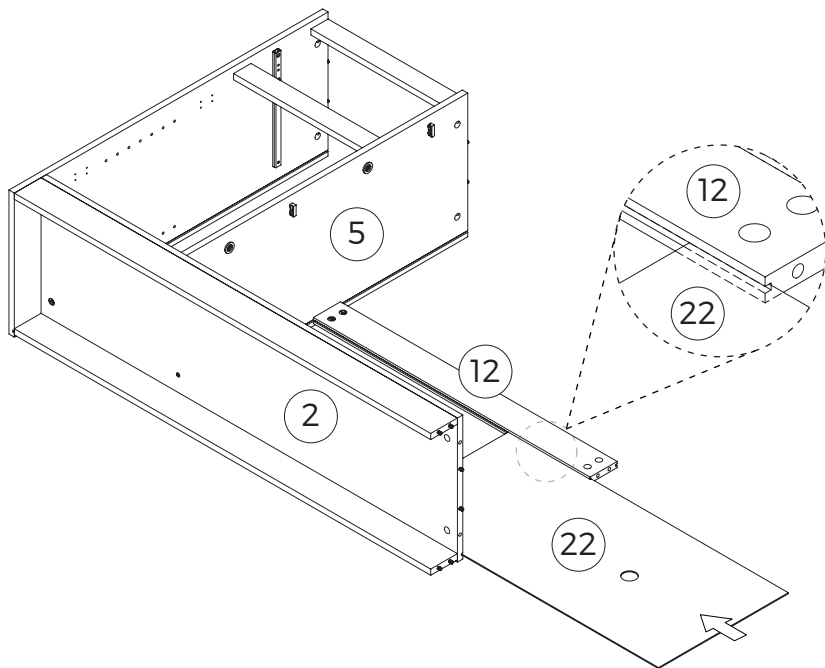
9



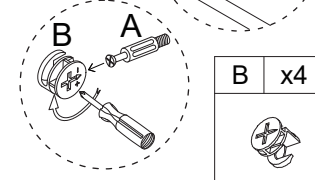
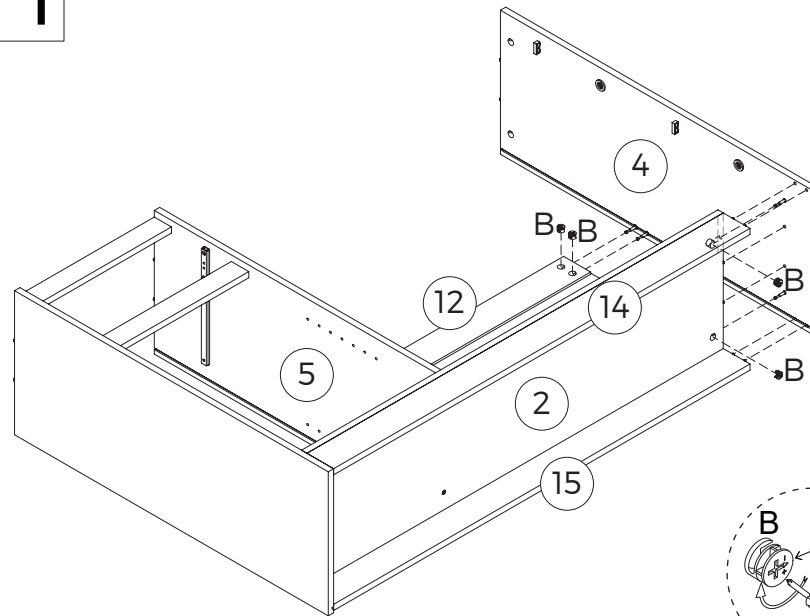
B x2



10



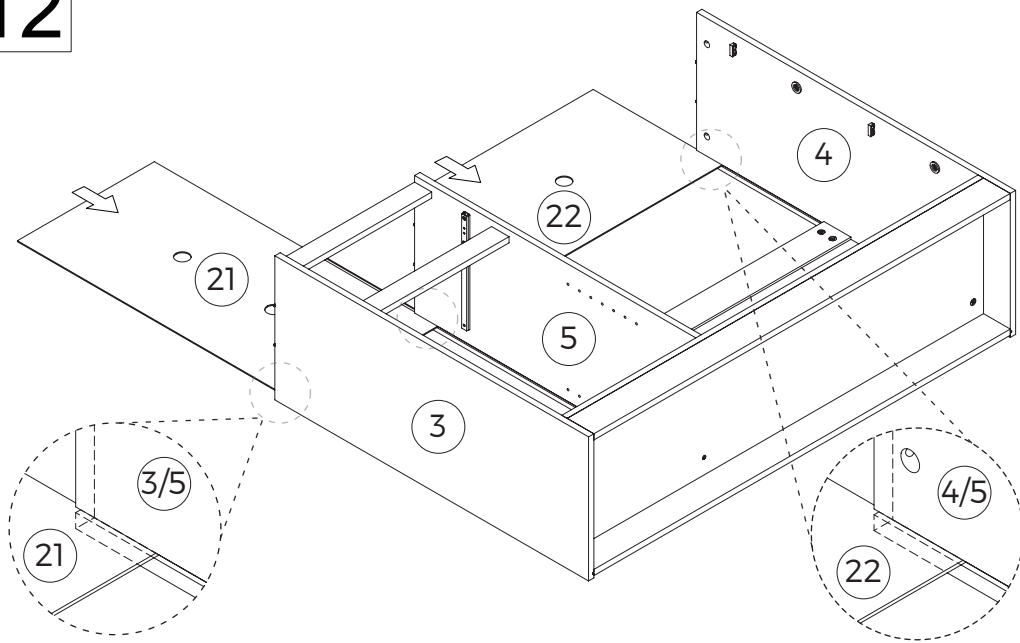
11



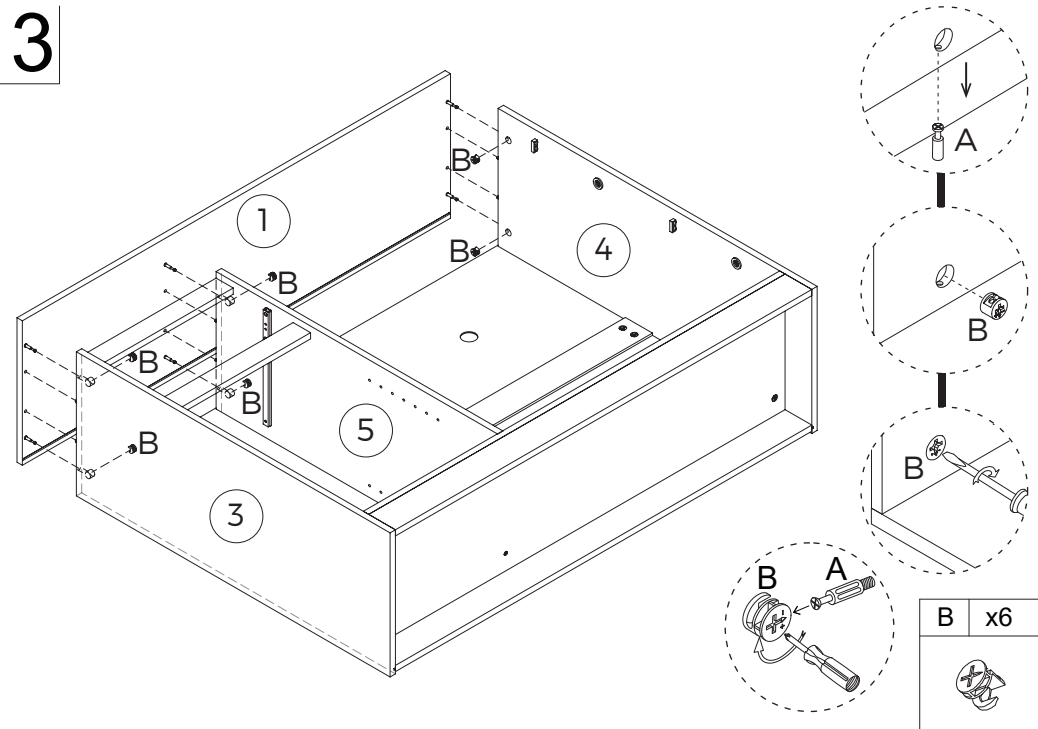
B x4



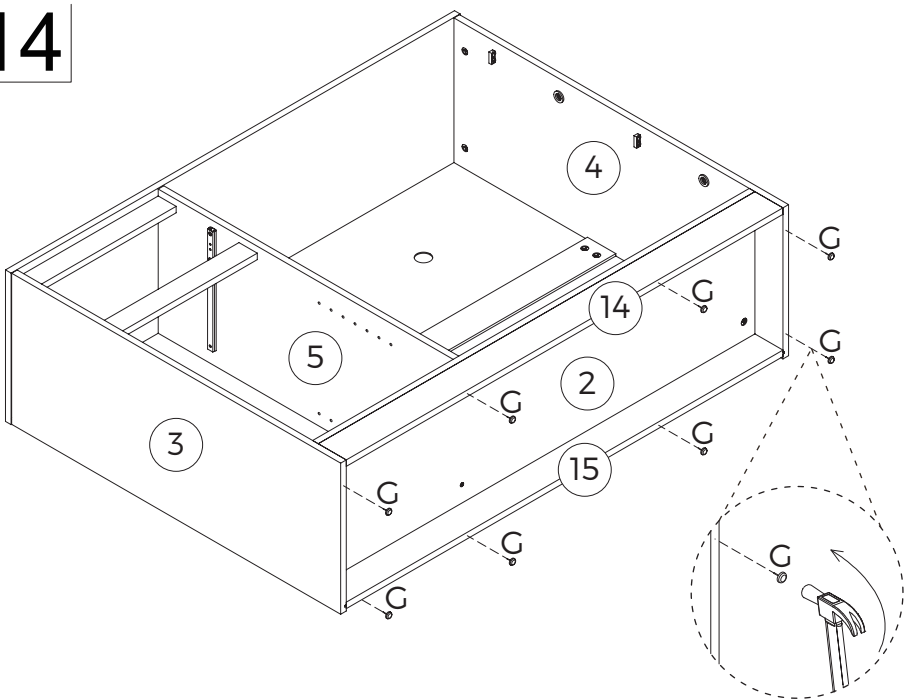
12



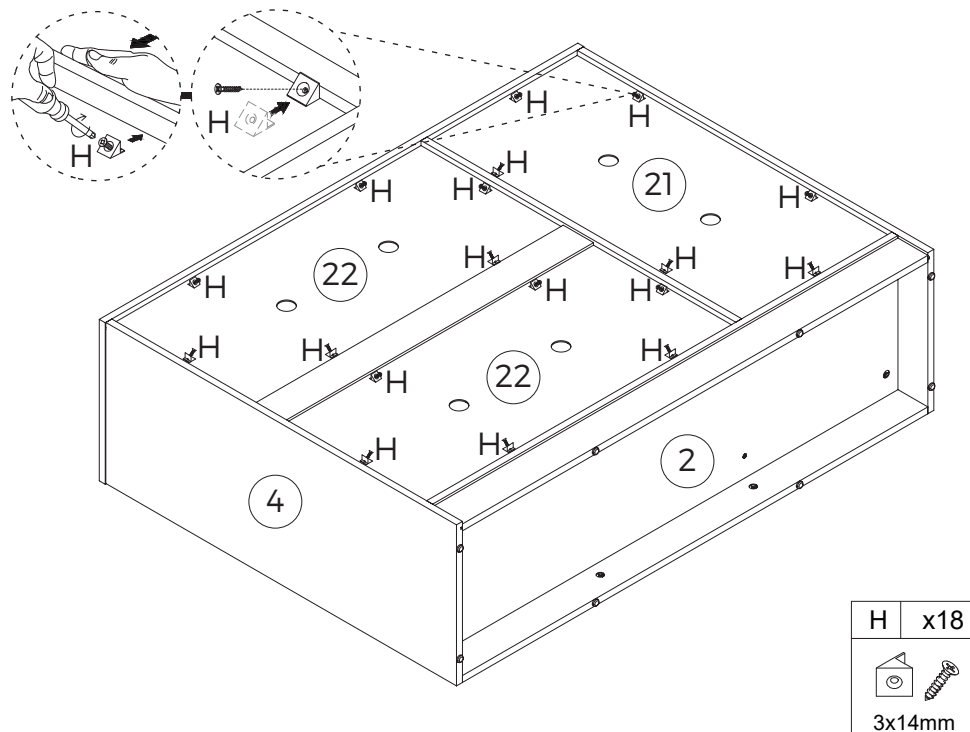
13



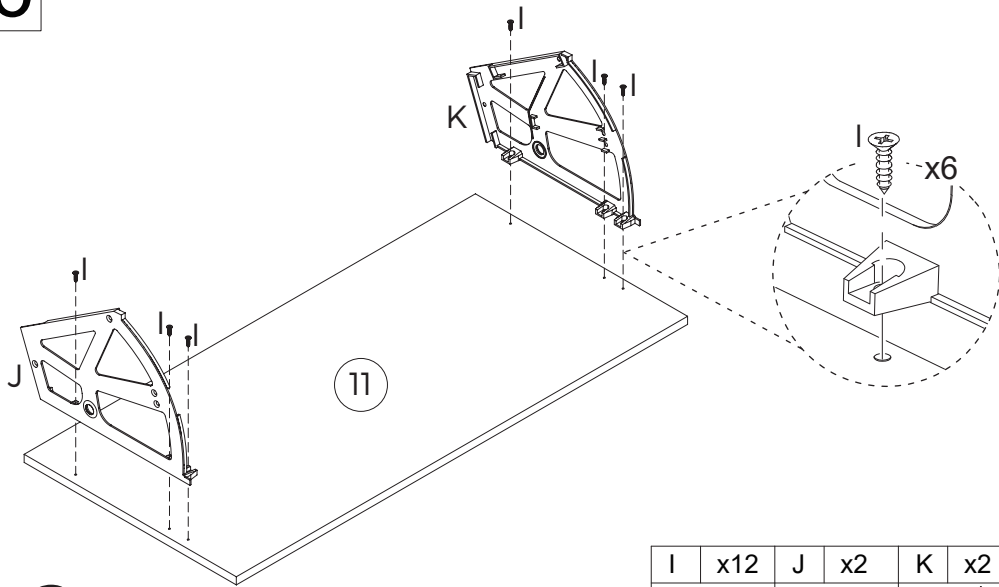
14


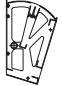
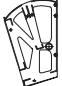


15



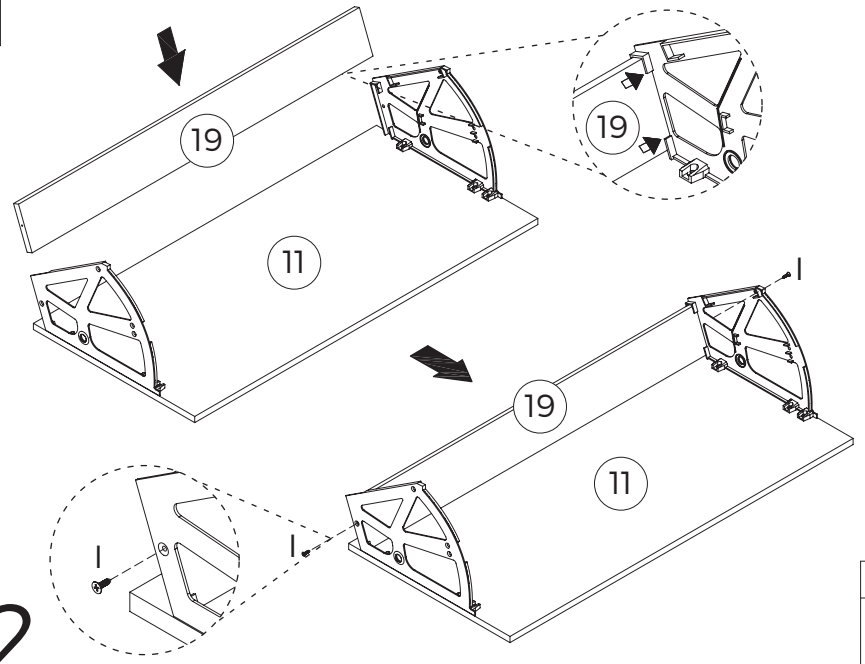
16




I	x12	J	x2	K	x2
					
3.5x14mm					

x2

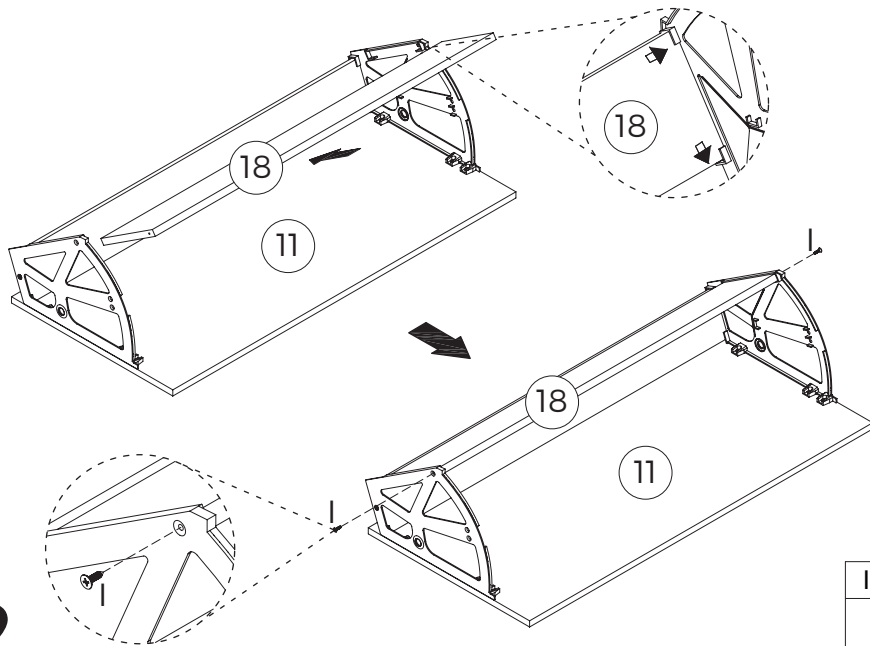
17




I	x4
	
3.5x14mm	

x2

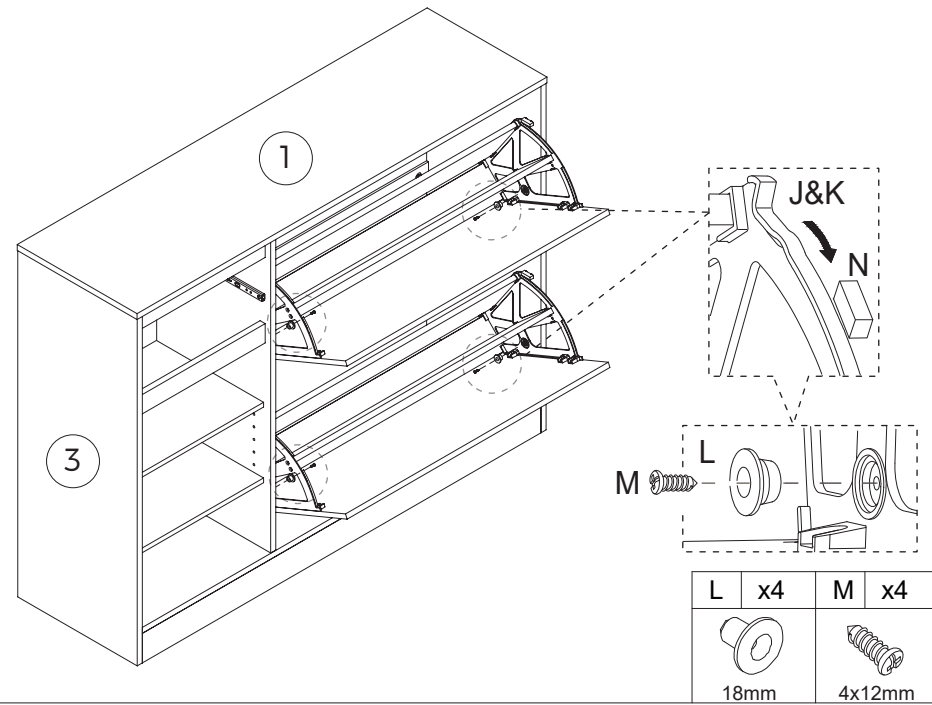
18





I	x4
	
3.5x14mm	

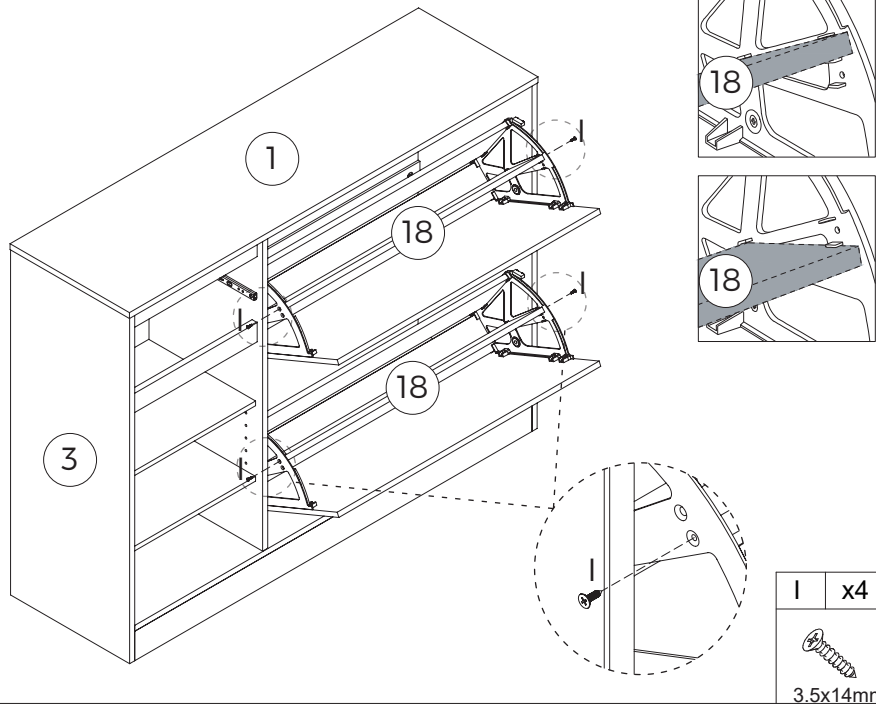
x2

19

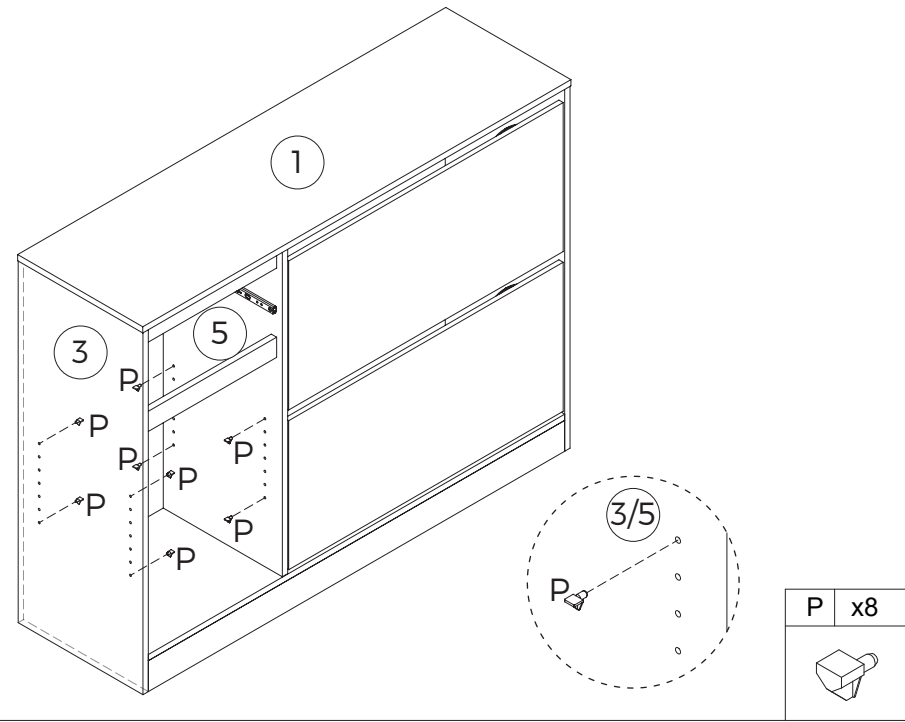


L	x4	M	x4
			
18mm		4x12mm	

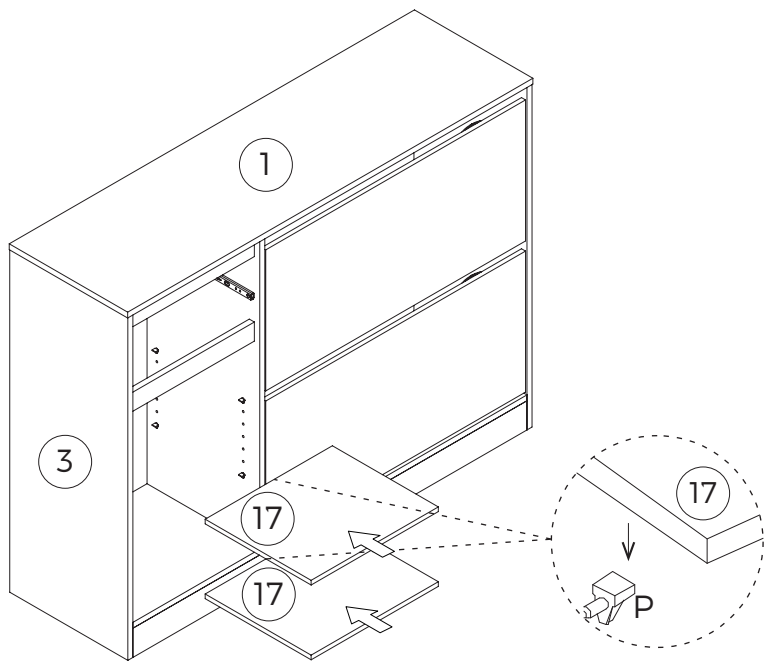
20



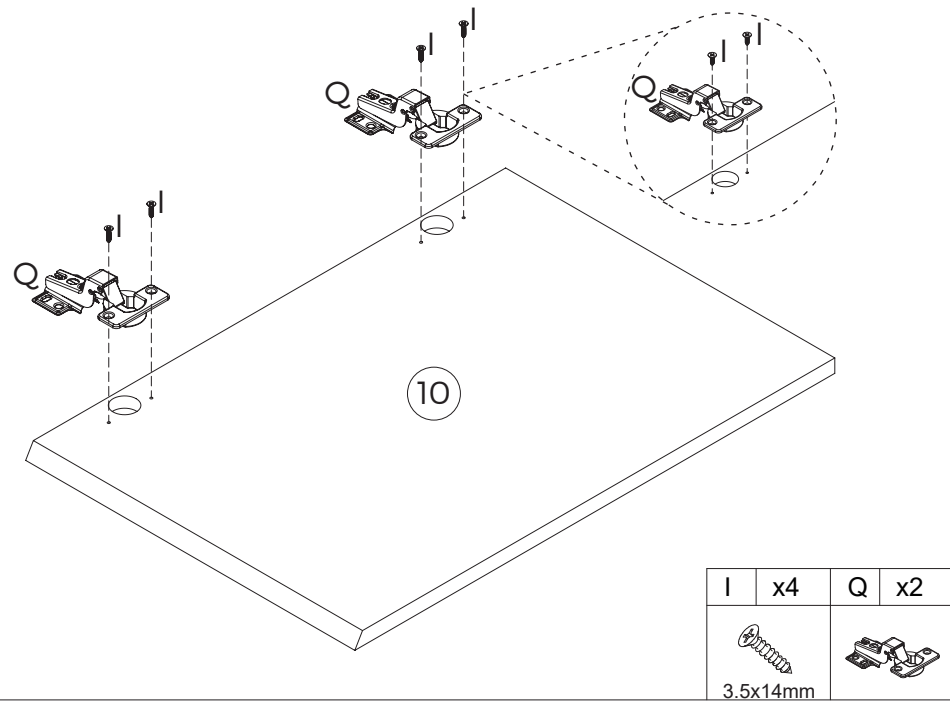
21



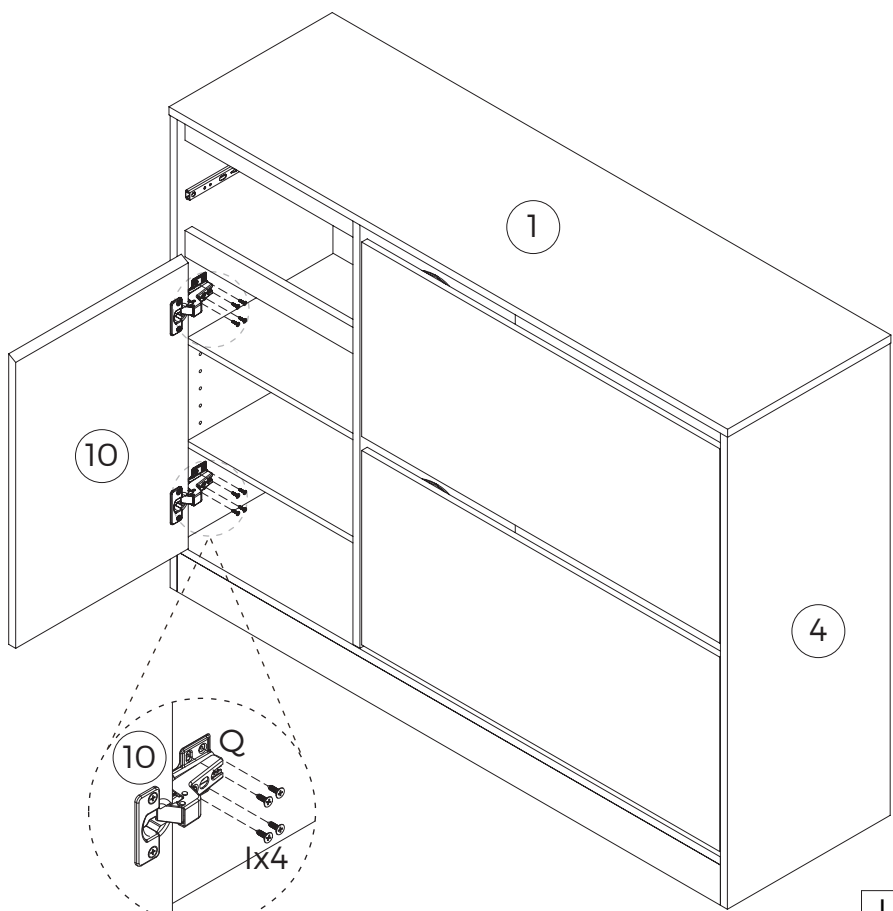
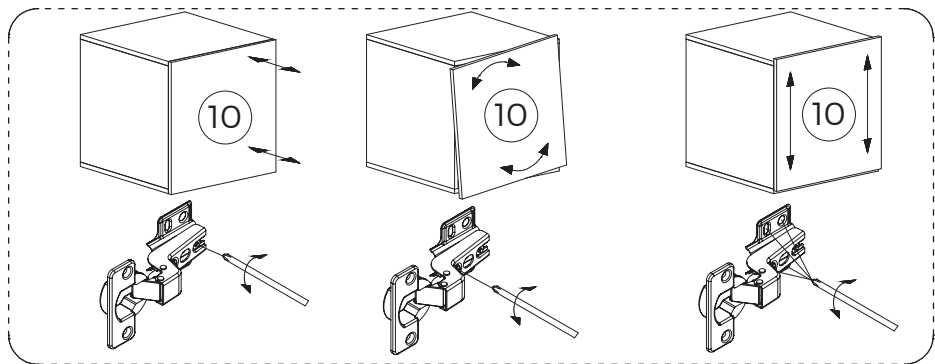
22



23

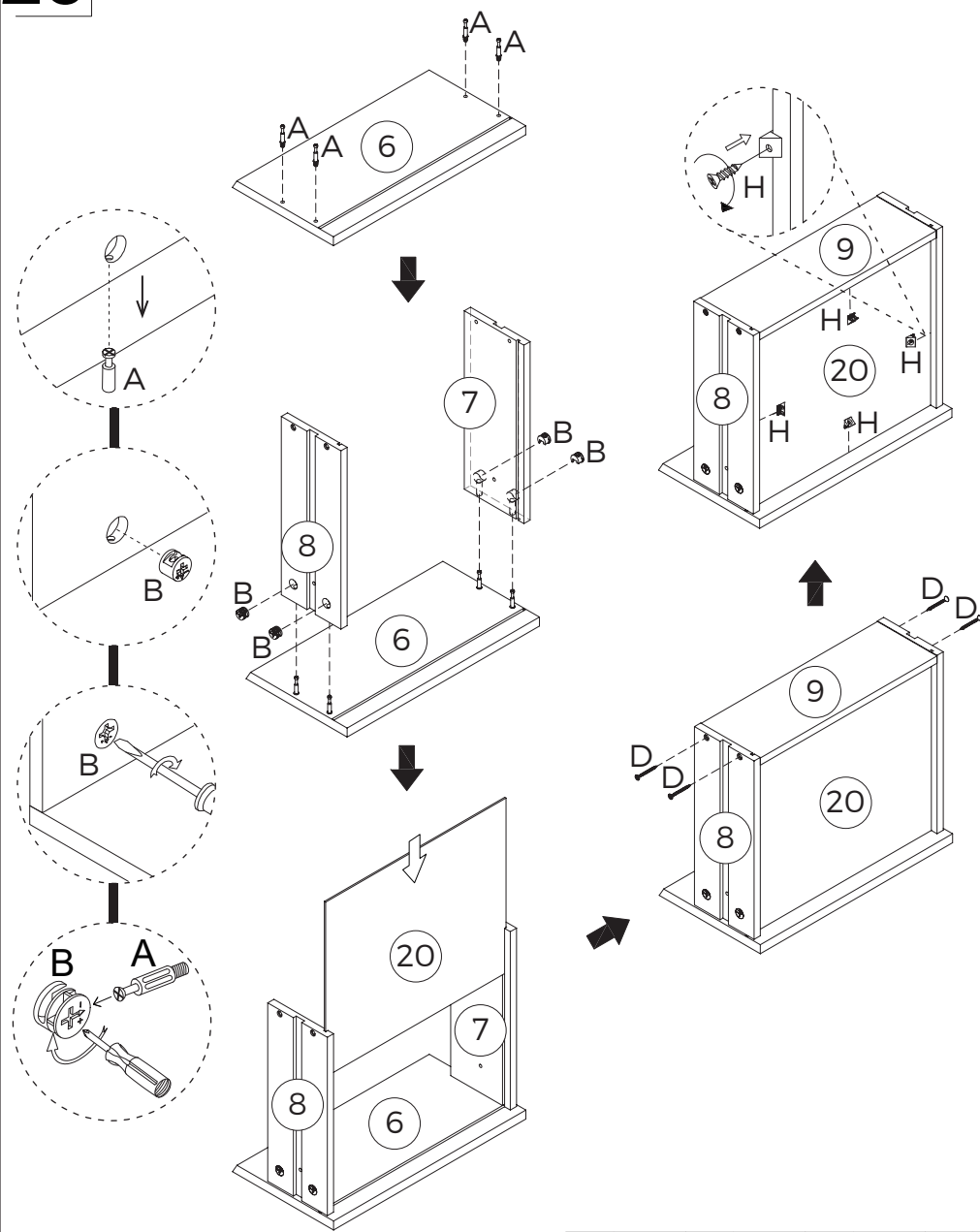


24



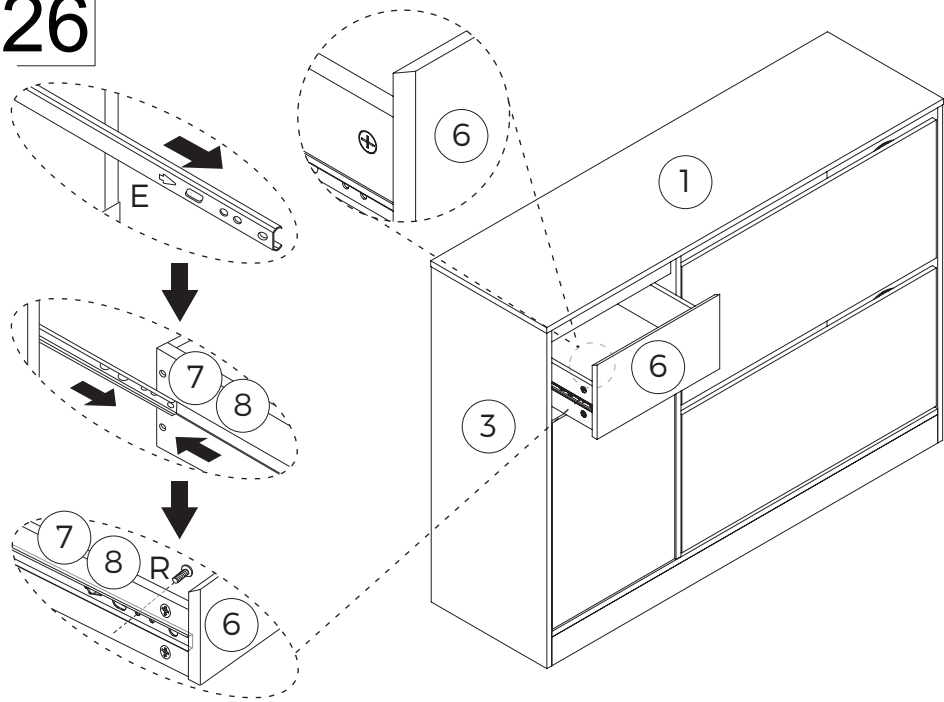
I	x8
	3.5x14mm


25

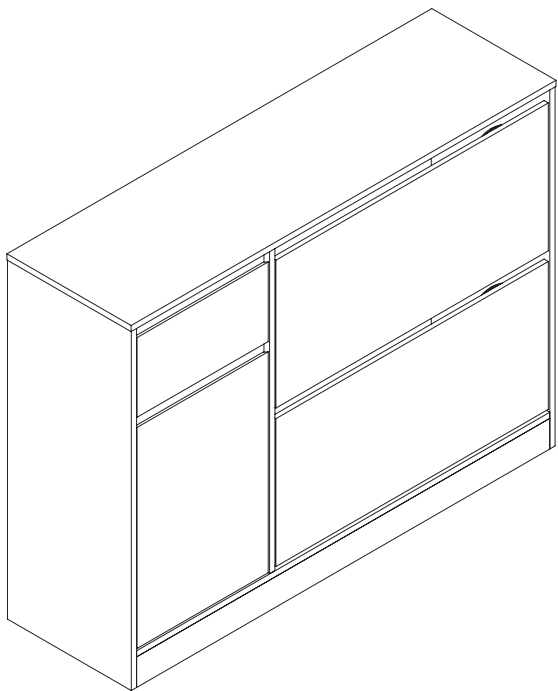


A	x4	B	x4	D	x4	H	x4
				4x40mm		3x14mm	

26

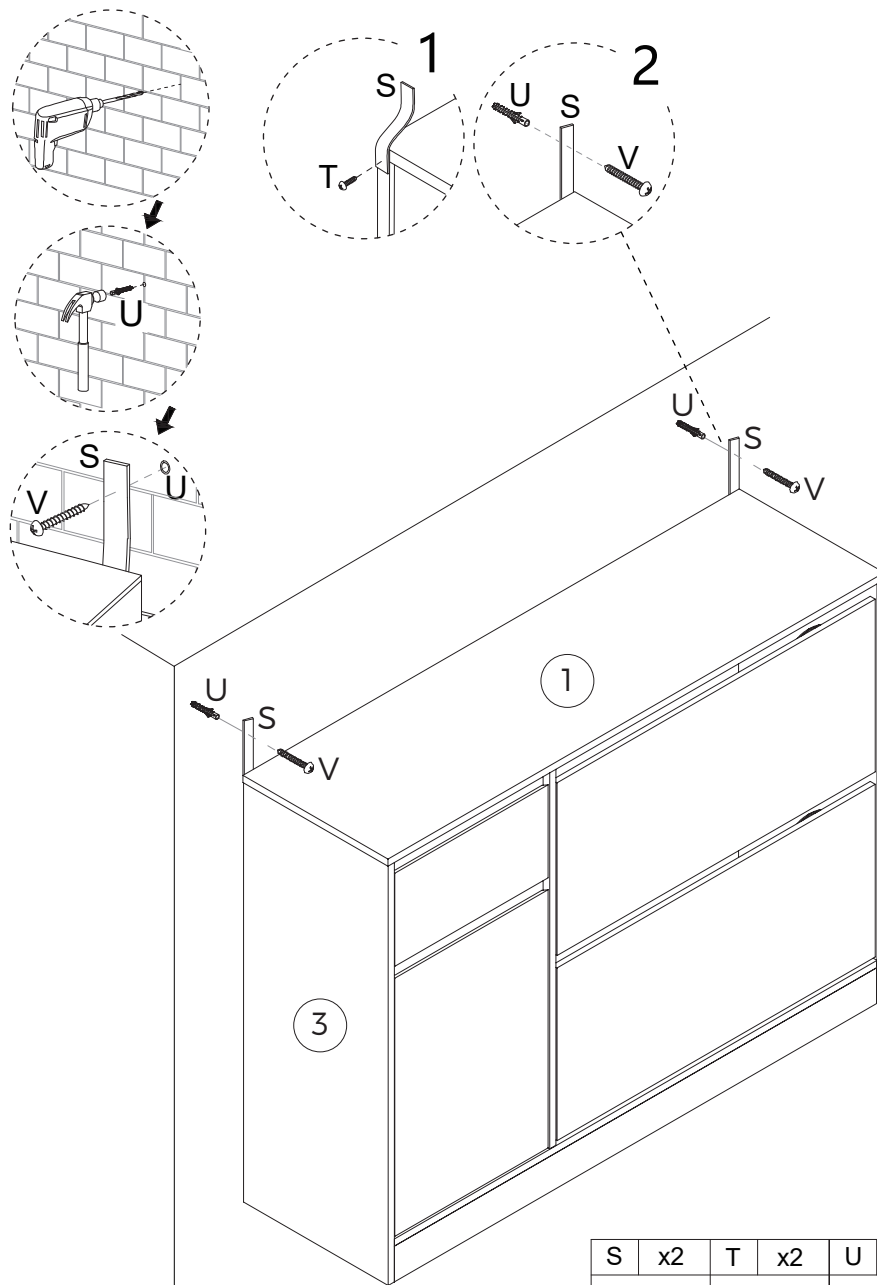






R	x2
	
4x11mm	



27

Pre-drill hole in wall



S	x2	T	x2	U	x2	V	x2
							
4x14mm		4x14mm		4x30mm		4x30mm	