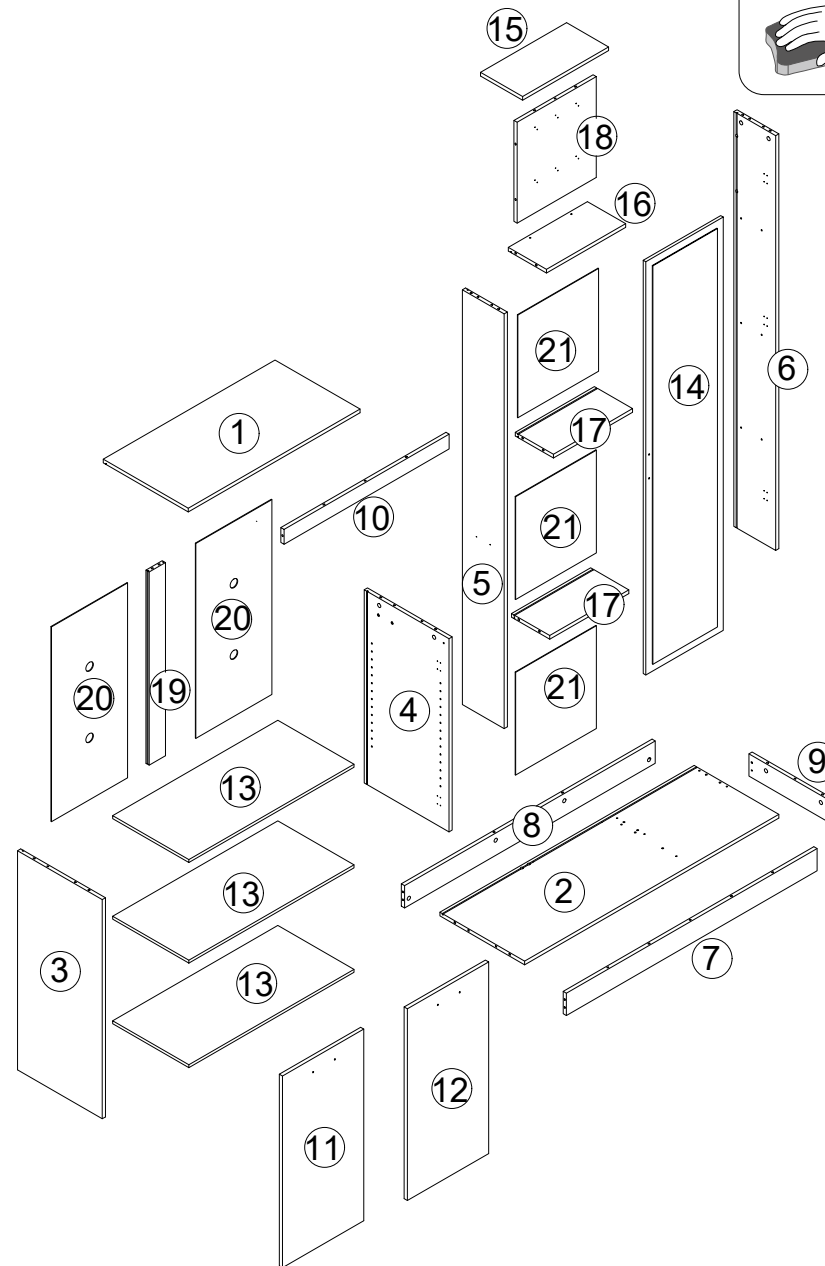
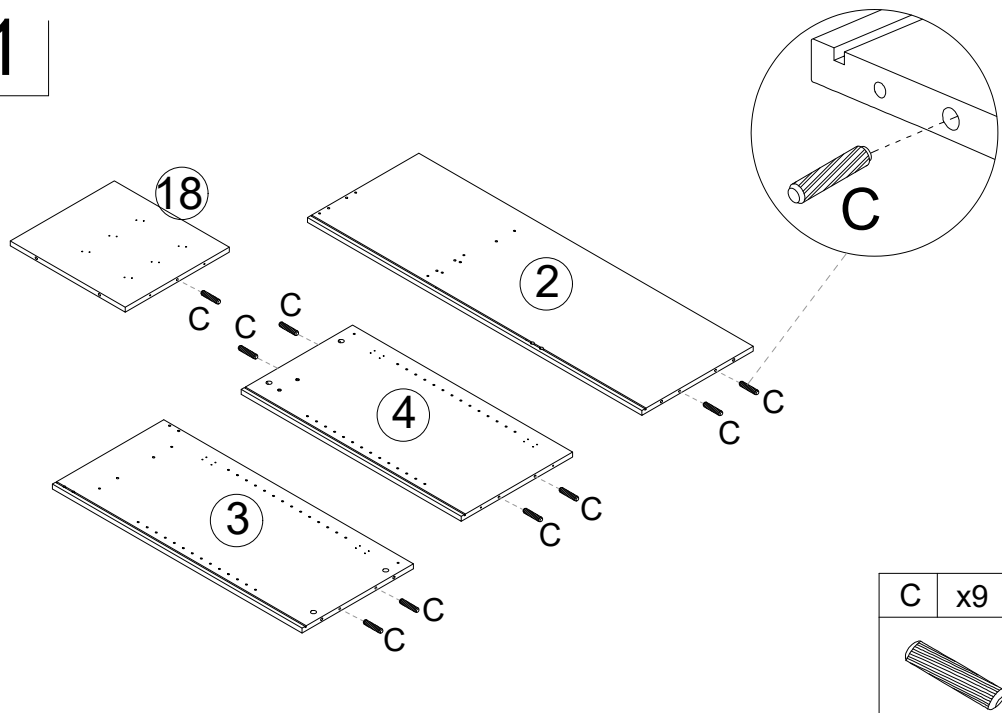


Wipe with dry cloths

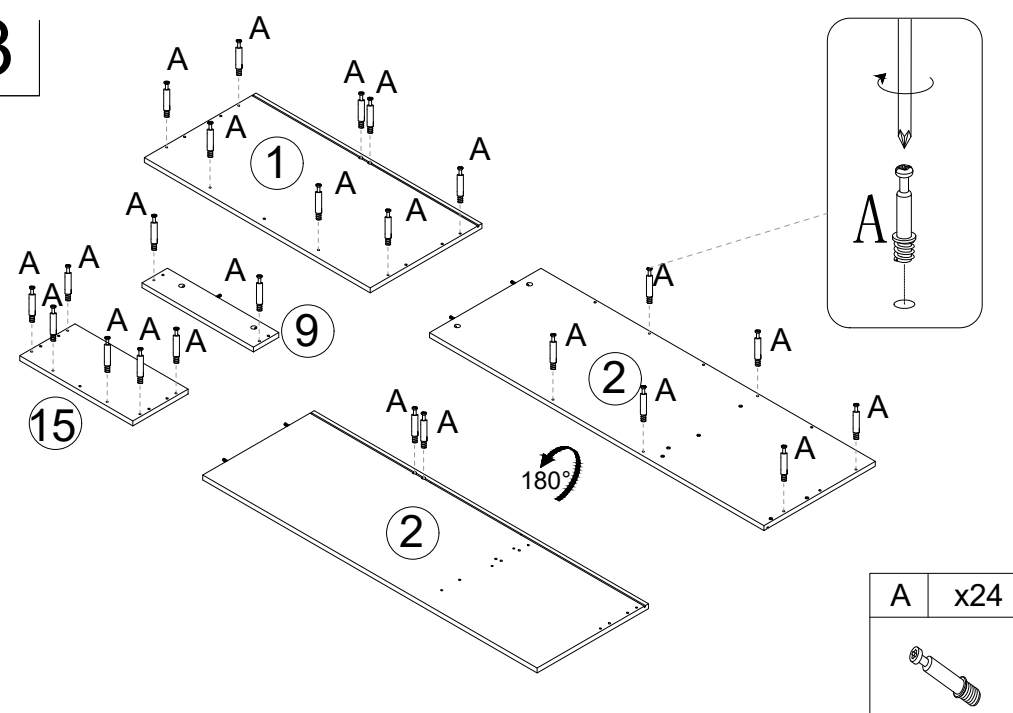


A	x46	B	x46	C	x26	D	x8	E	x2	F	x12
G	x42	H	x7	I	x6	J	x3	K	x12	L	x6
M	x24	N	x2	O	x2	P	x2	Q	x2	R	x8
3x14mm				4x14mm				4x30mm			

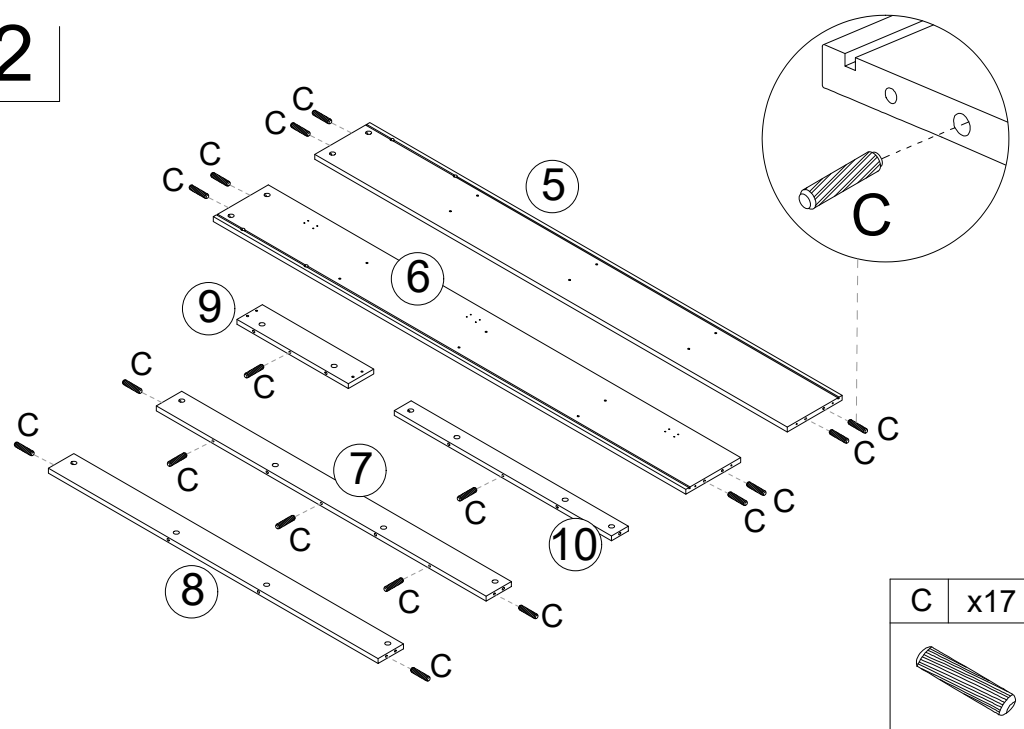
1



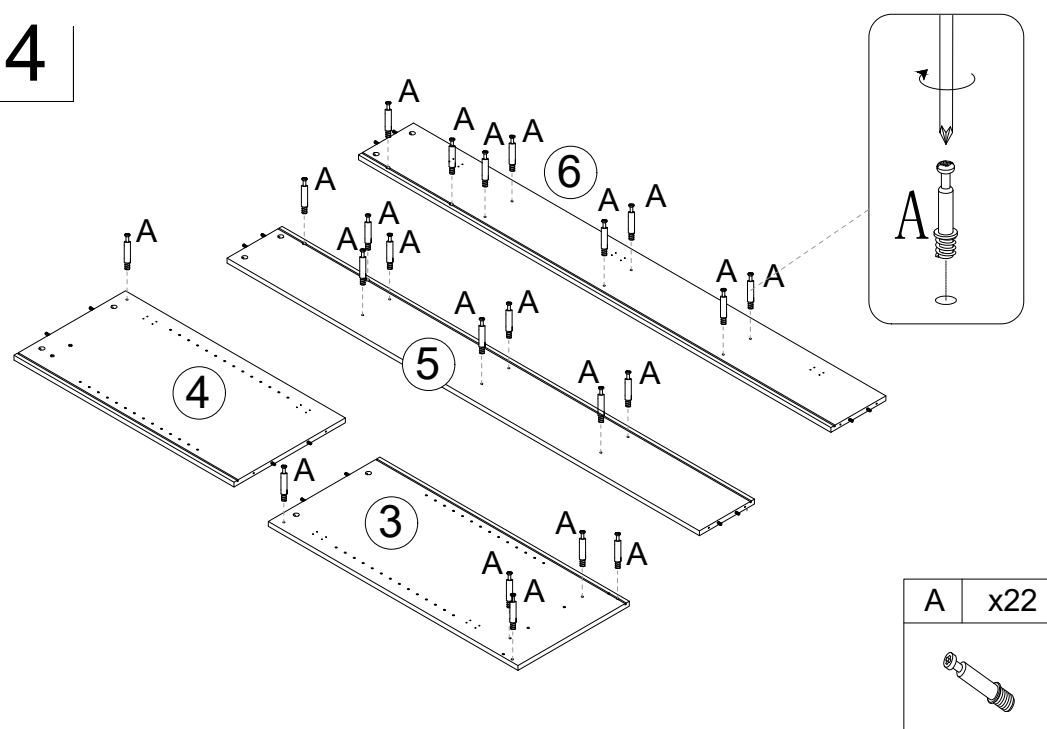
3



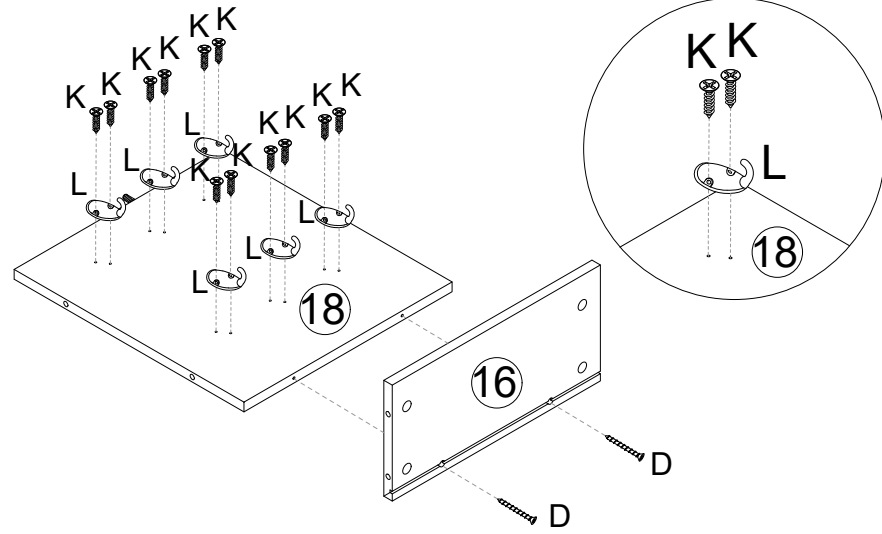
2






4

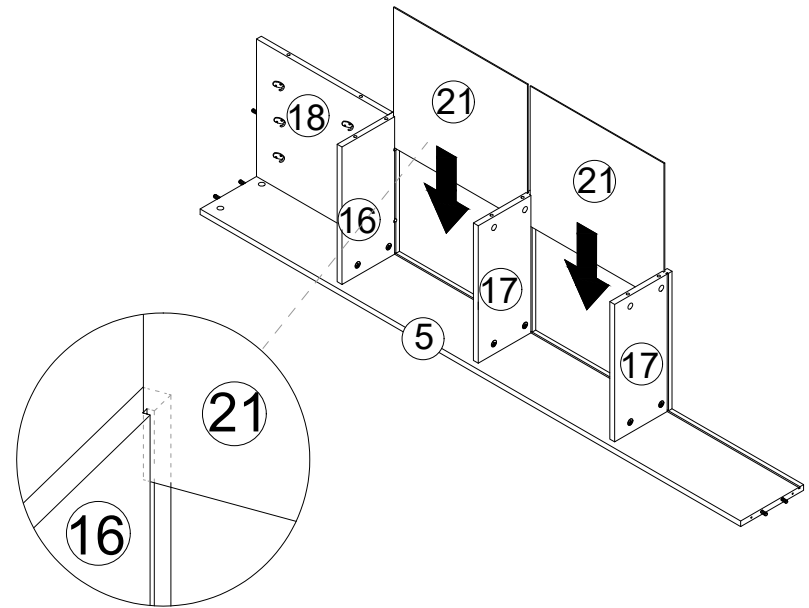


5

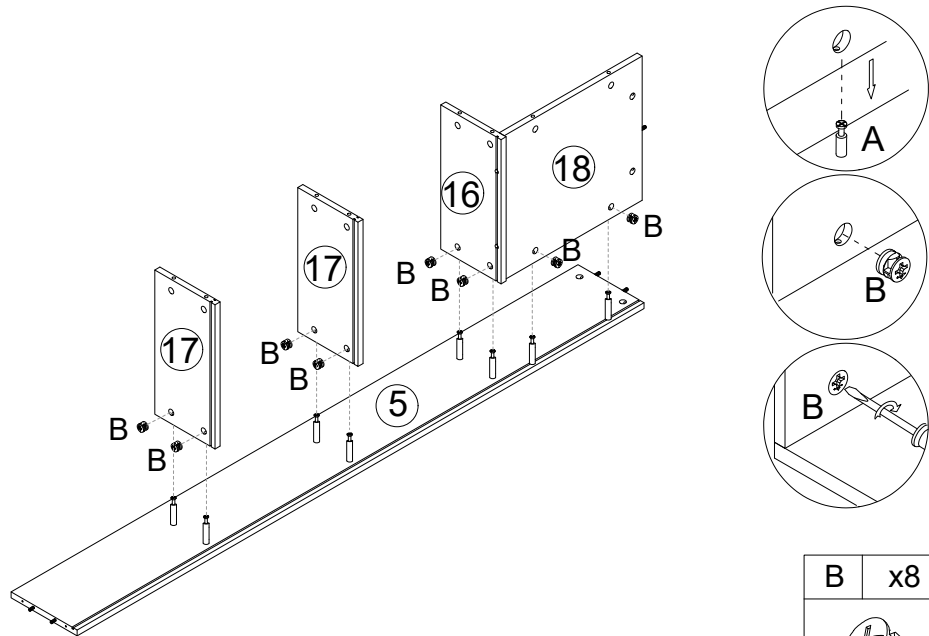



D	x2	K	x12	L	x6
					
4x40mm		3x14mm			

7

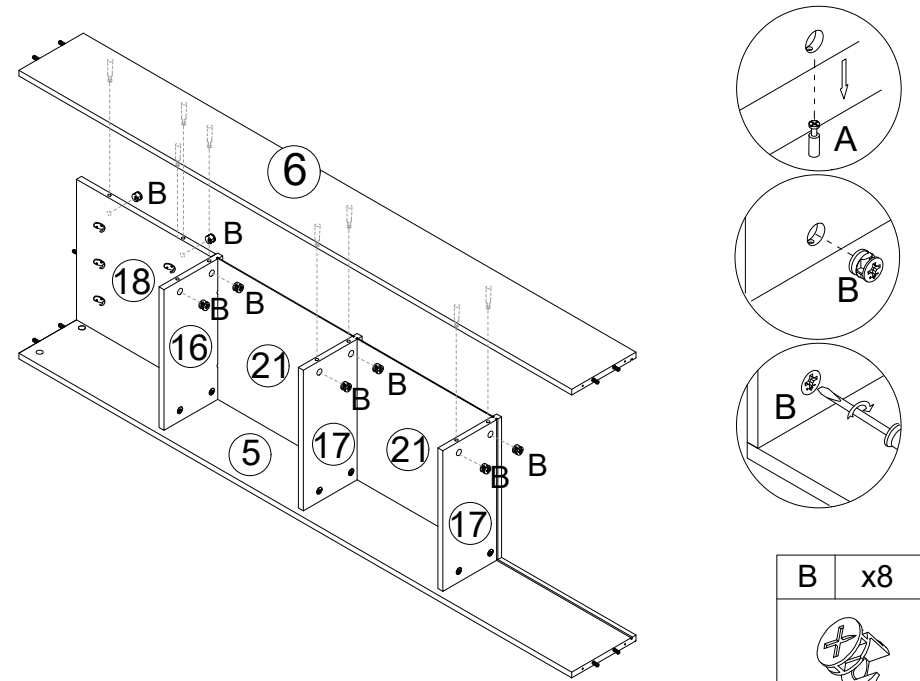



6



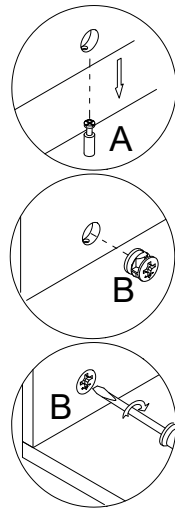
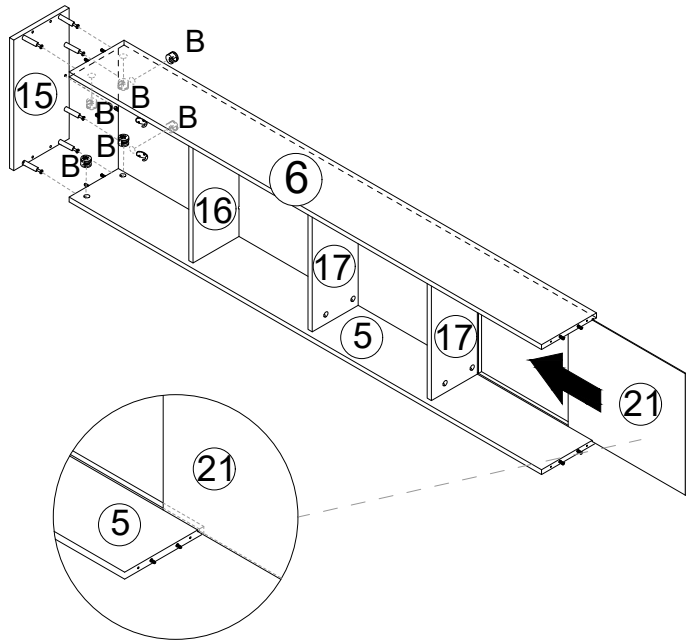
B	x8
	

8



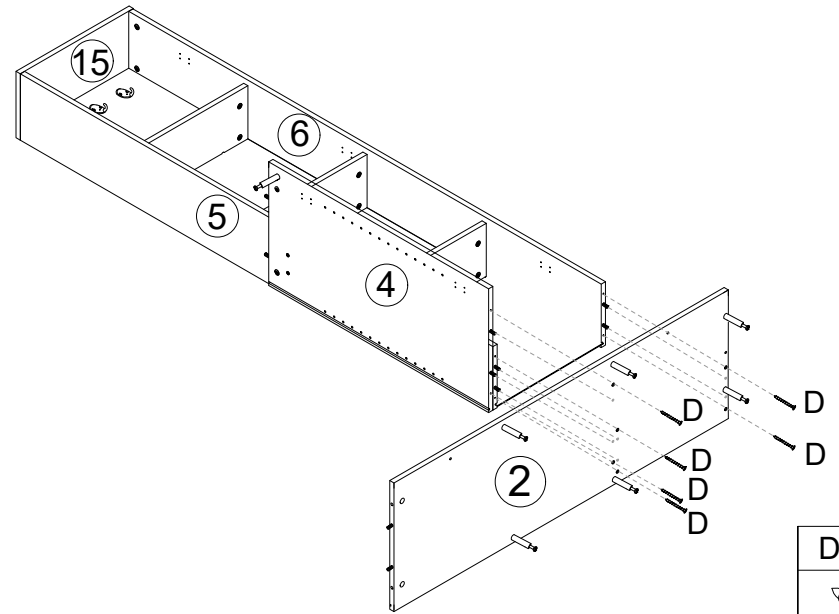
B	x8
	

9



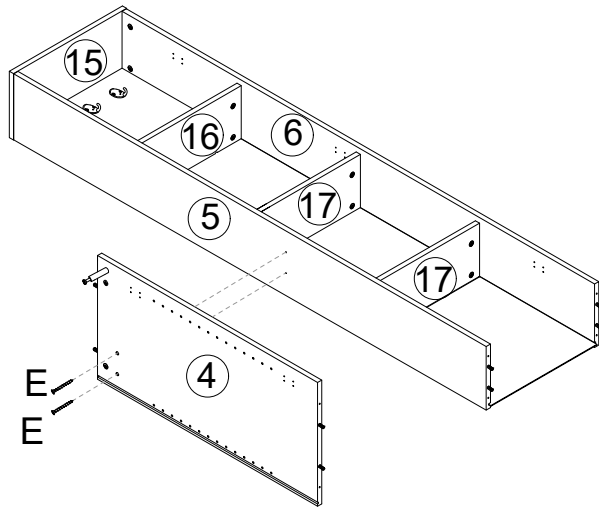
B	x6

11



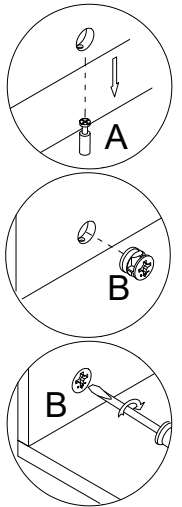
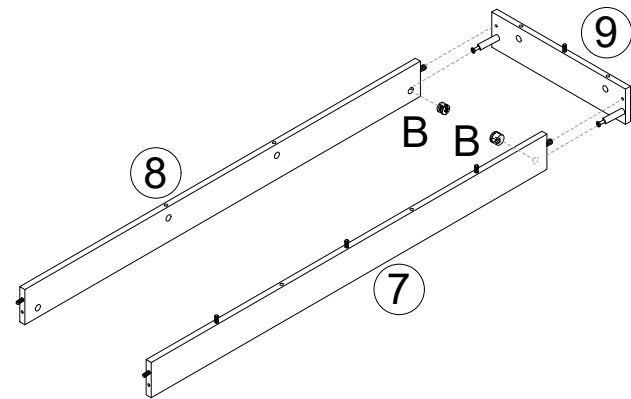
D	x6
4x40mm	

10



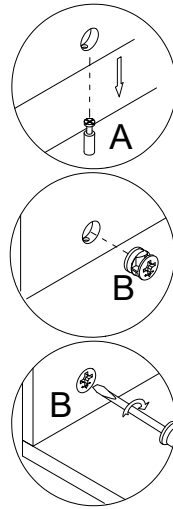
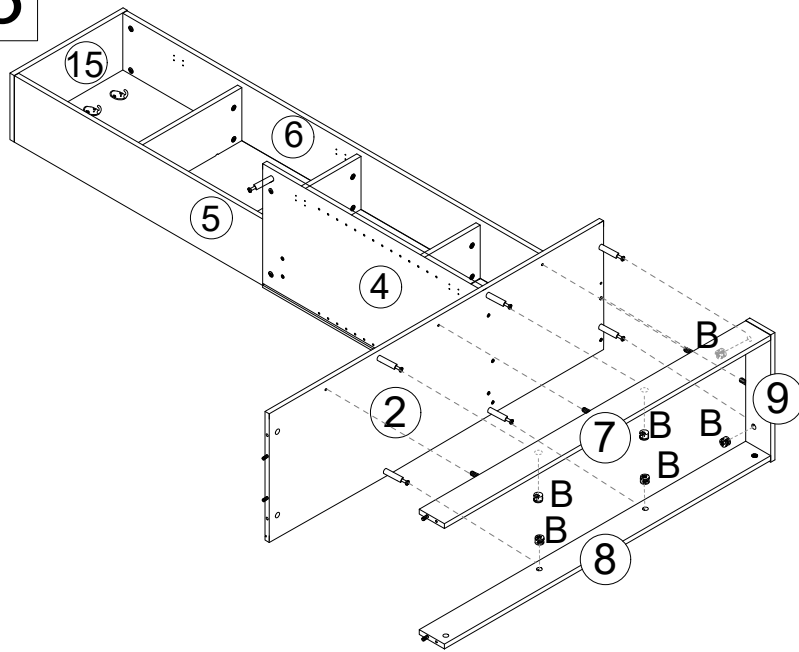
E	x2
4x25mm	

12



B	x2

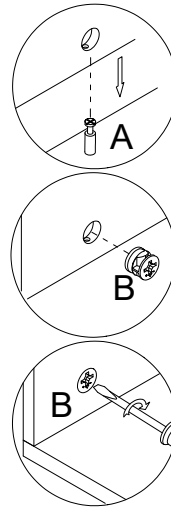
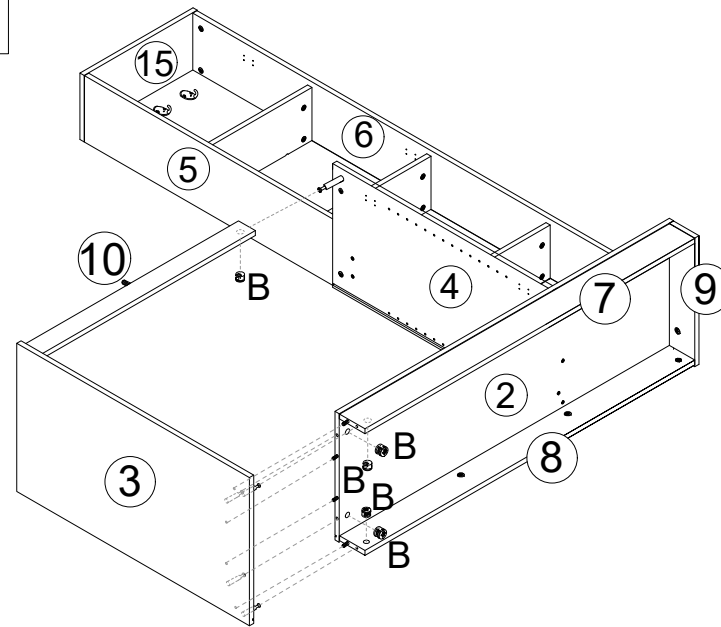
13



B x6



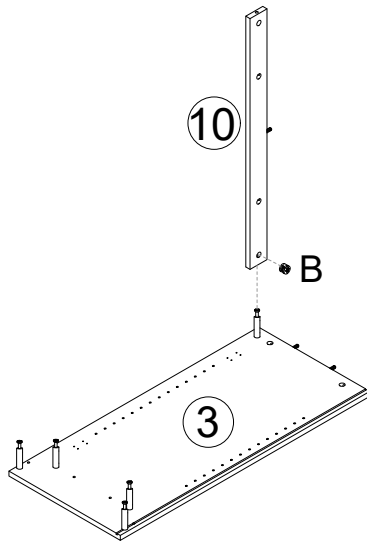
15



B x5



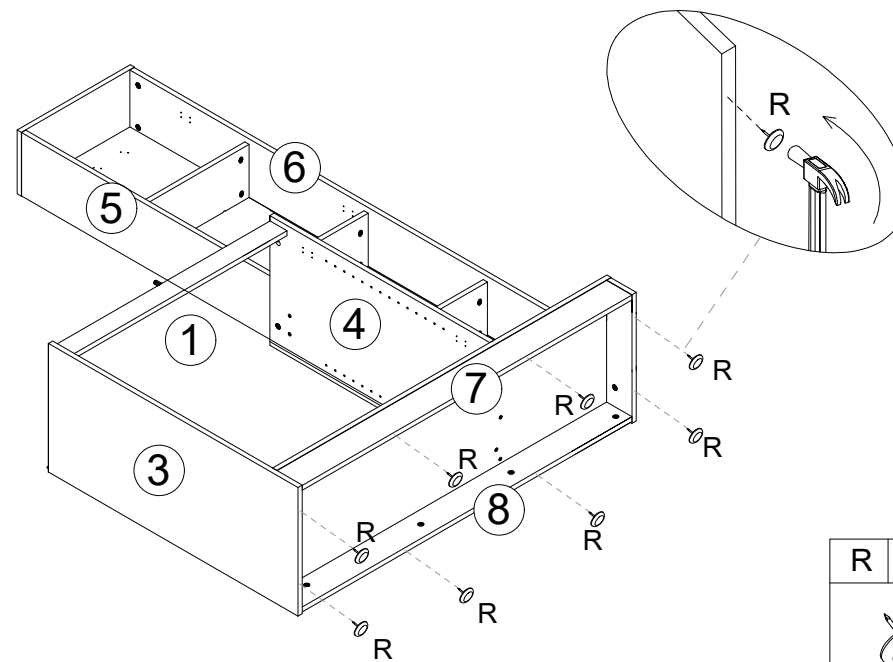
14



B x1



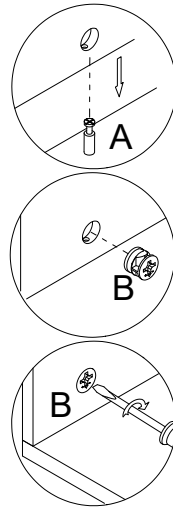
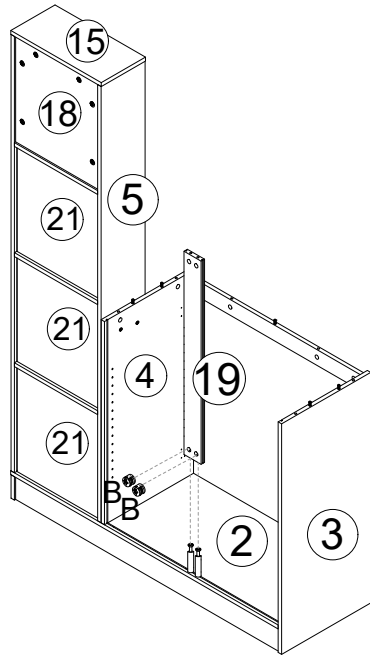
16



R x8



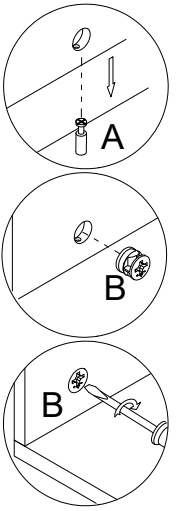
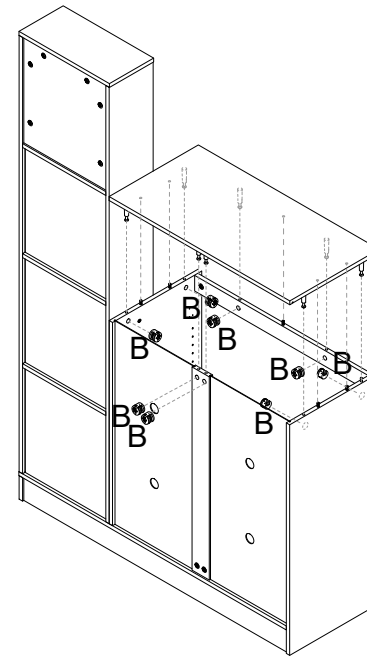
17



B x2



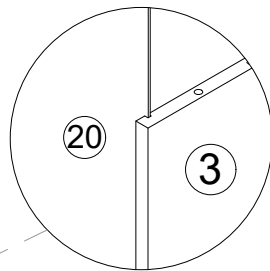
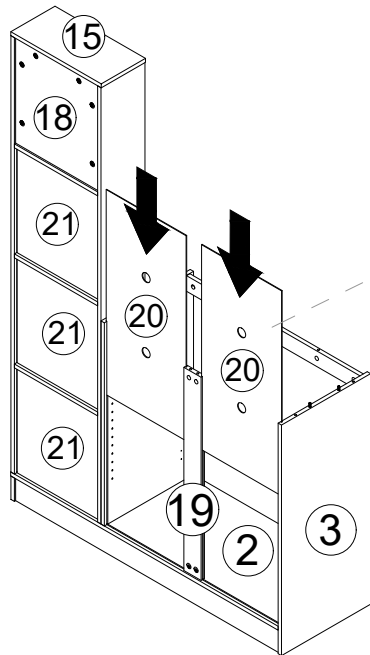
19



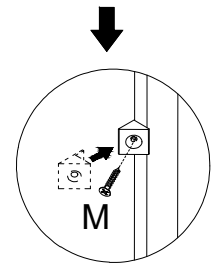
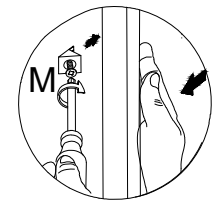
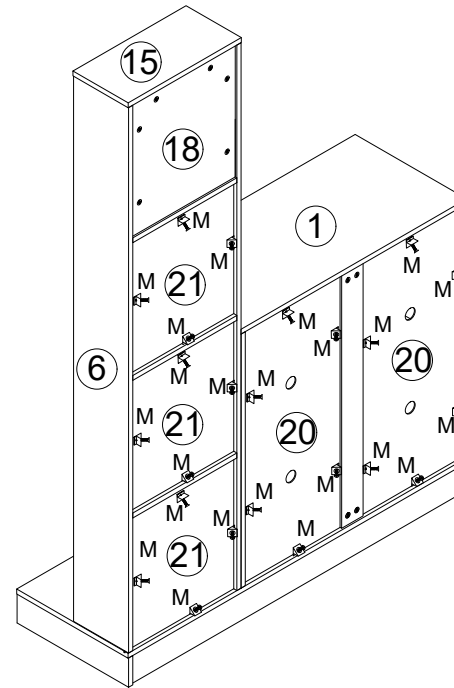
B x8



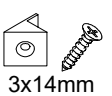
18



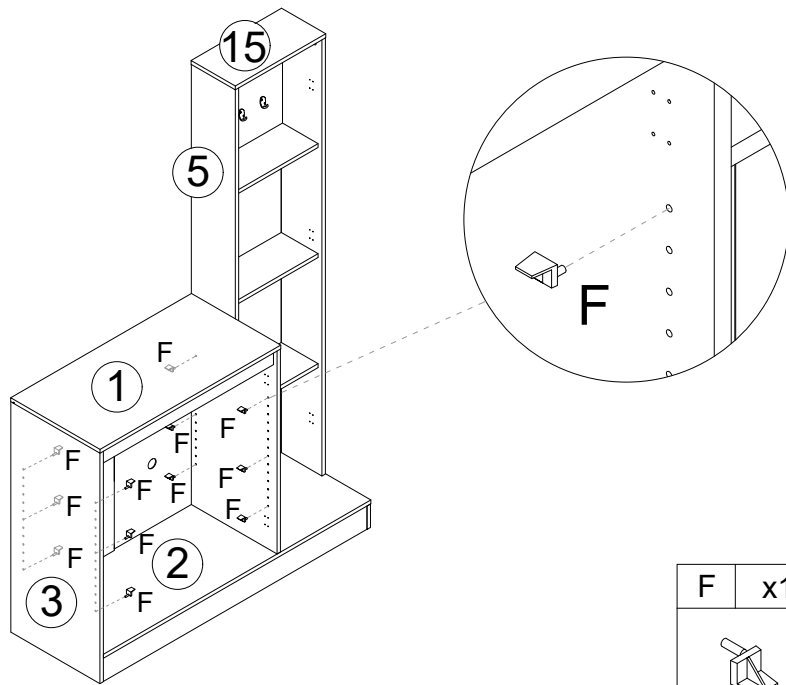
20



M x24

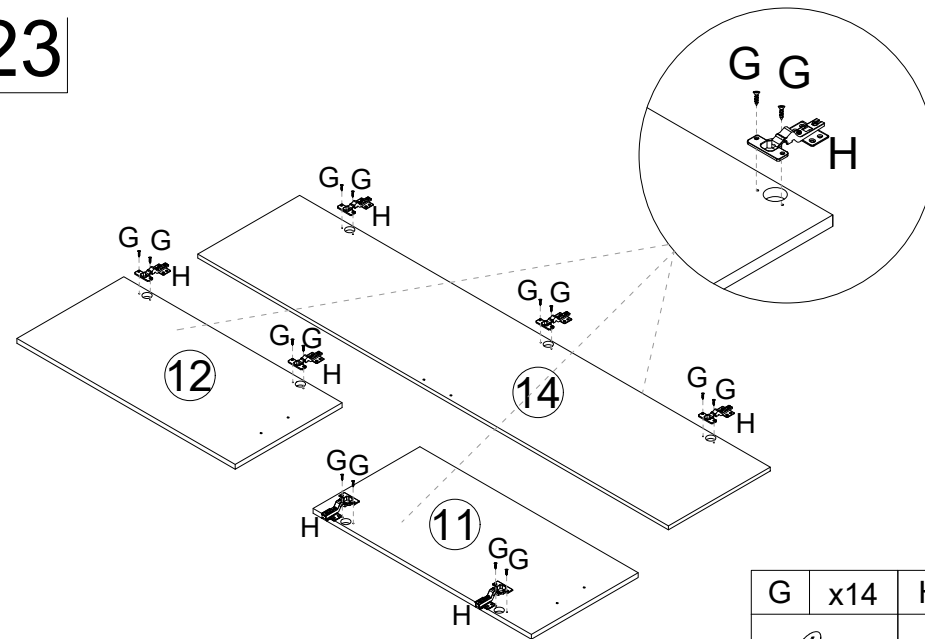


21



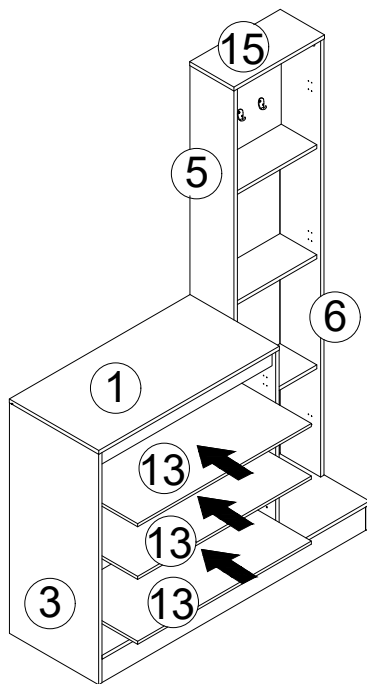
F	x12

23

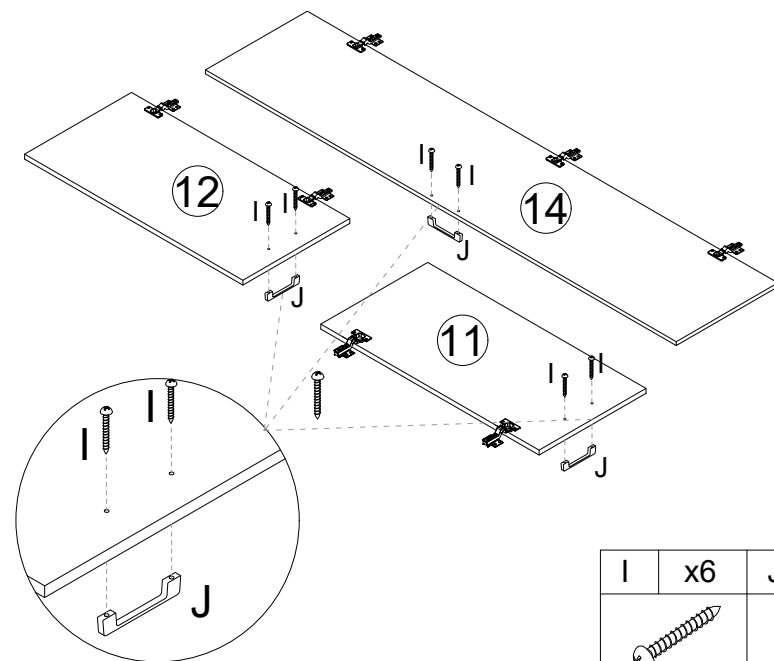


G	x14	H	x7
3.5x14mm			

22

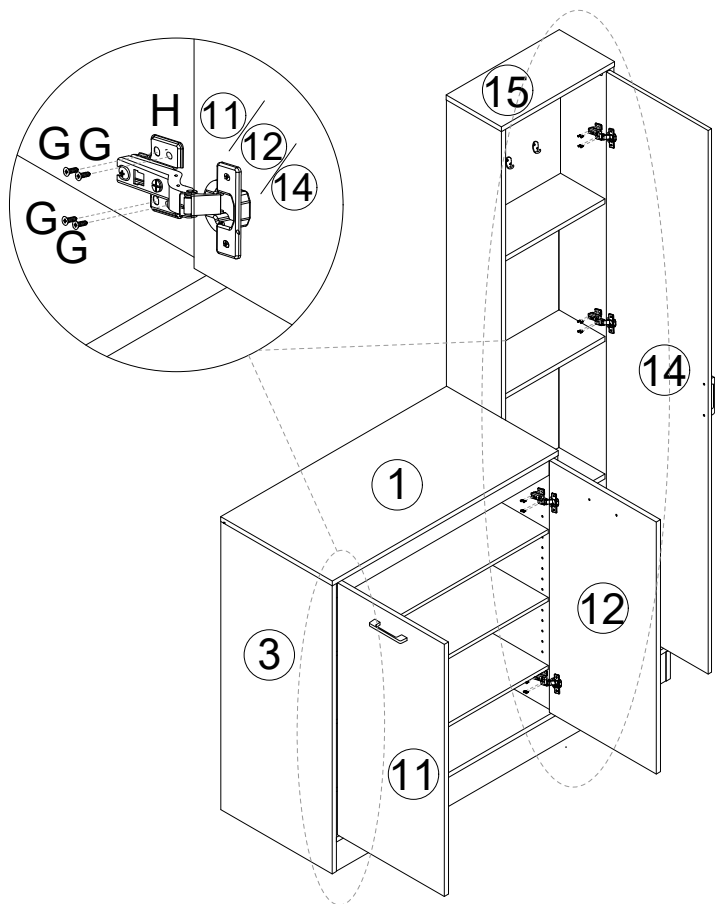
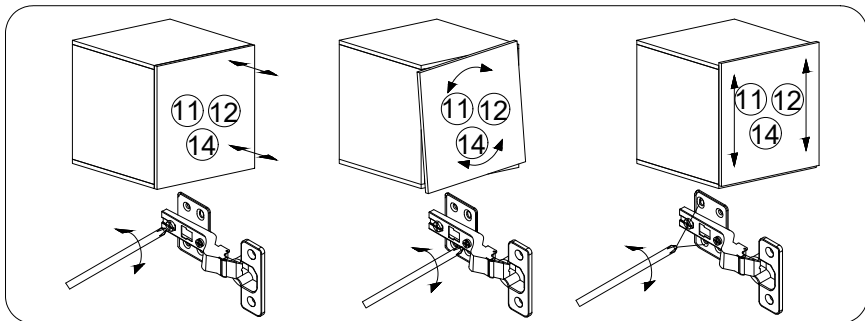



24



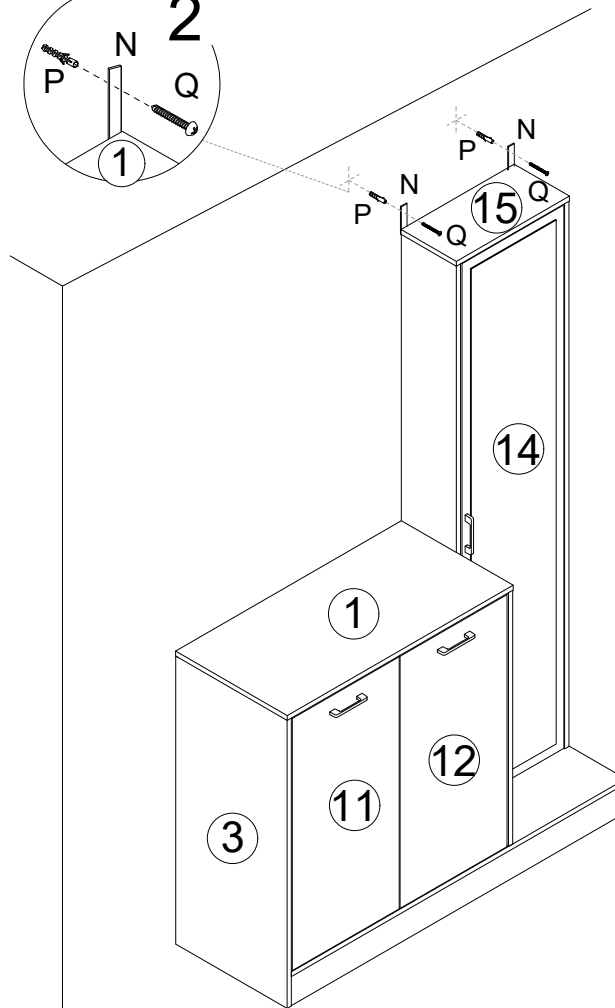
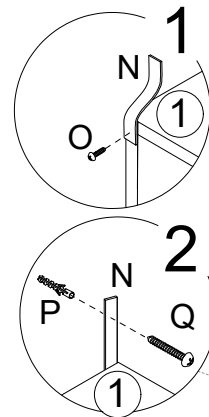
I	x6	J	x3
4x25mm			

25

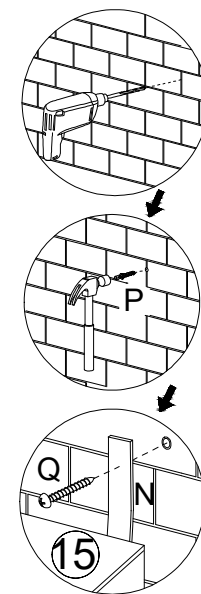



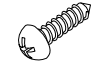

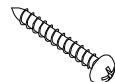
G	x28
 3.5x14mm	

26



Pre-drilled hole at wall



N	x2	O	x2	P	x2	Q	x2
		 4x14mm				 4x30mm	