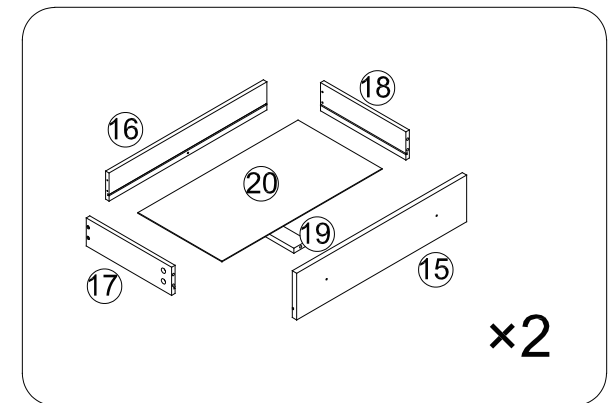
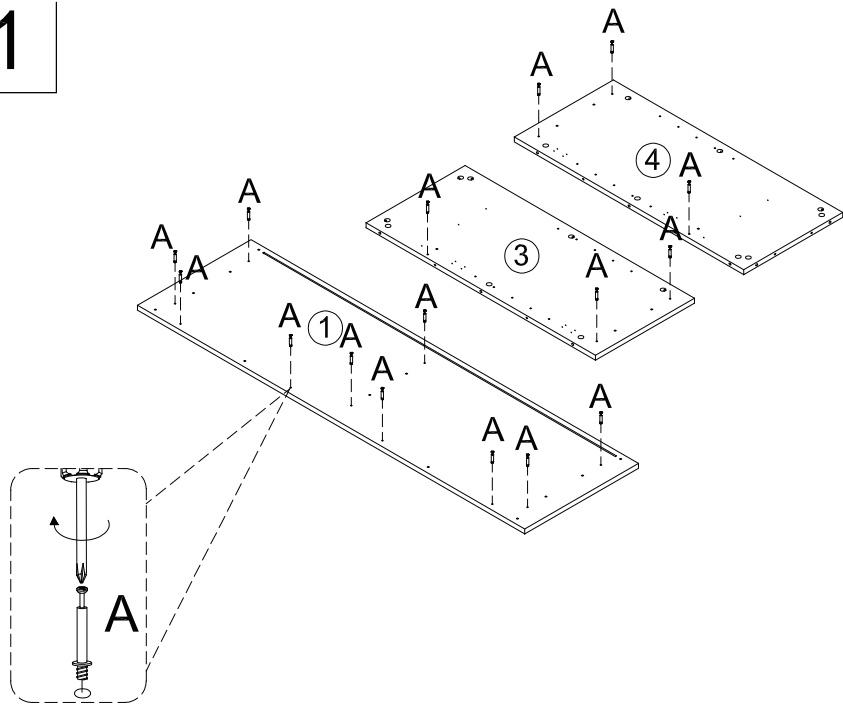



A	x48	B	x48	C	x38	D	x12	E	x25	F	x48	G	x2
		6×30mm	4×40mm	3×12mm	3.5×14mm								
H	x8	I	x8	J	x8	K	x8	L	x16	M	x4	N	x1
	4×20mm			3×14mm									
O	x2	P	x2	Q	x2	R	x2	S	x1	T	x3	CL	x2
			6×50mm	3.5×12mm									
CR	x2	DL	x2	DR	x2								

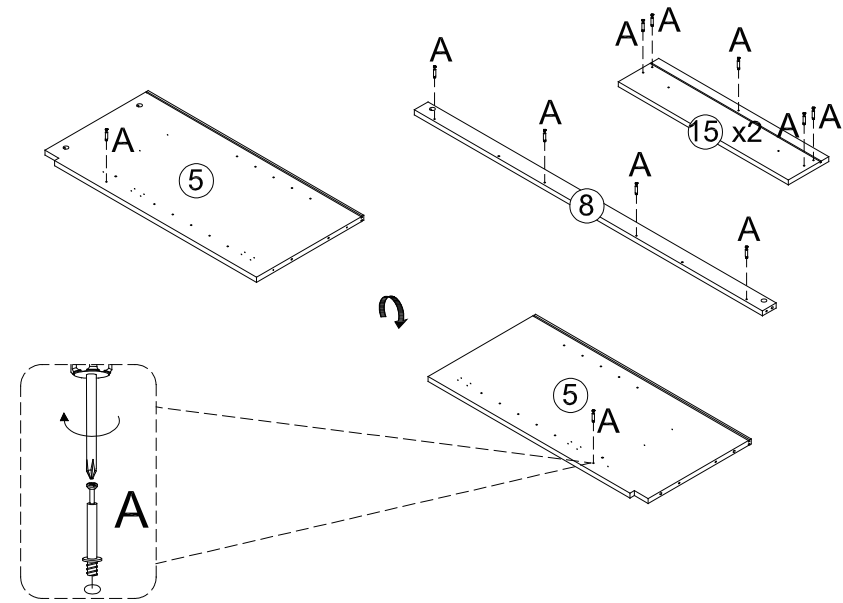



1



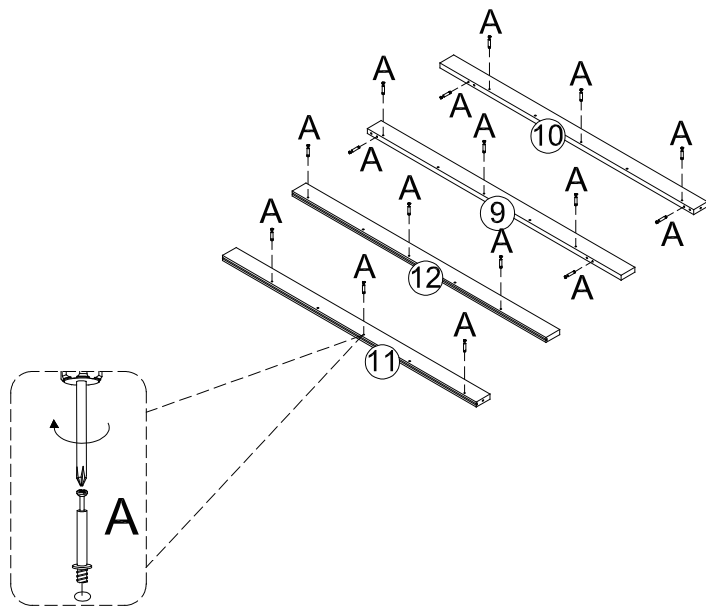
A	x16
	


2



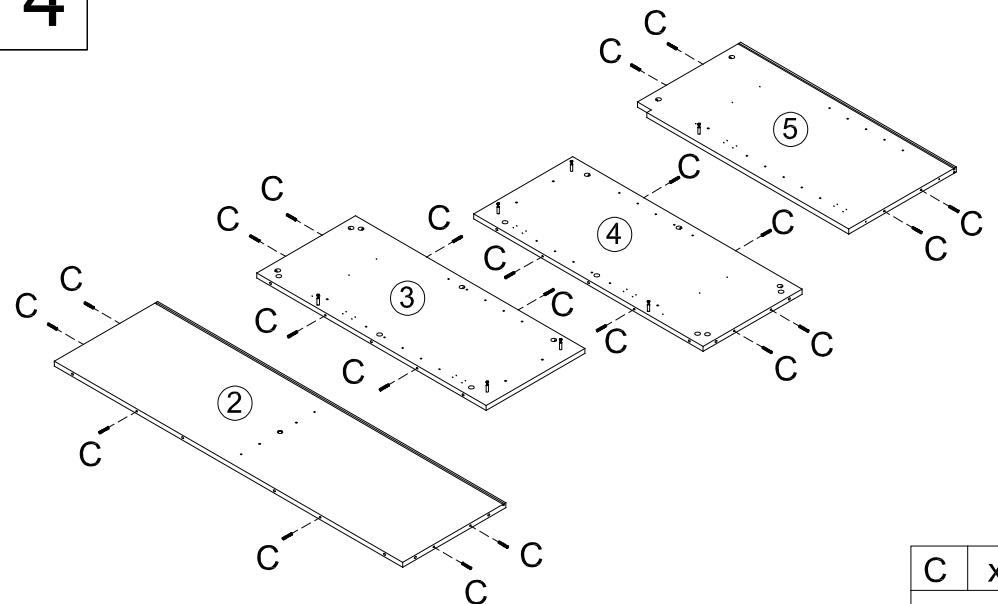
A	x16
	


3



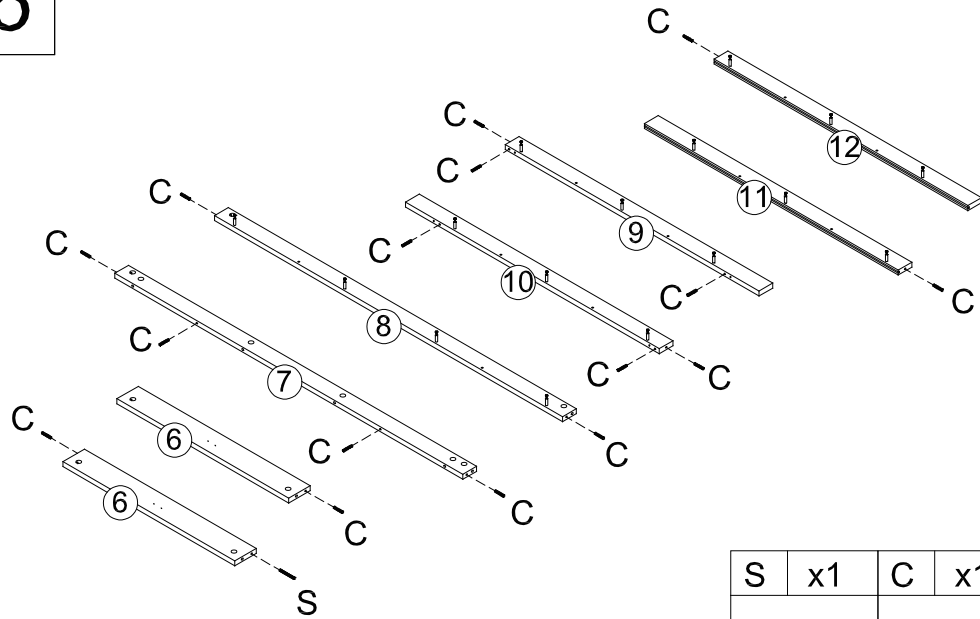
A	x16
	

4



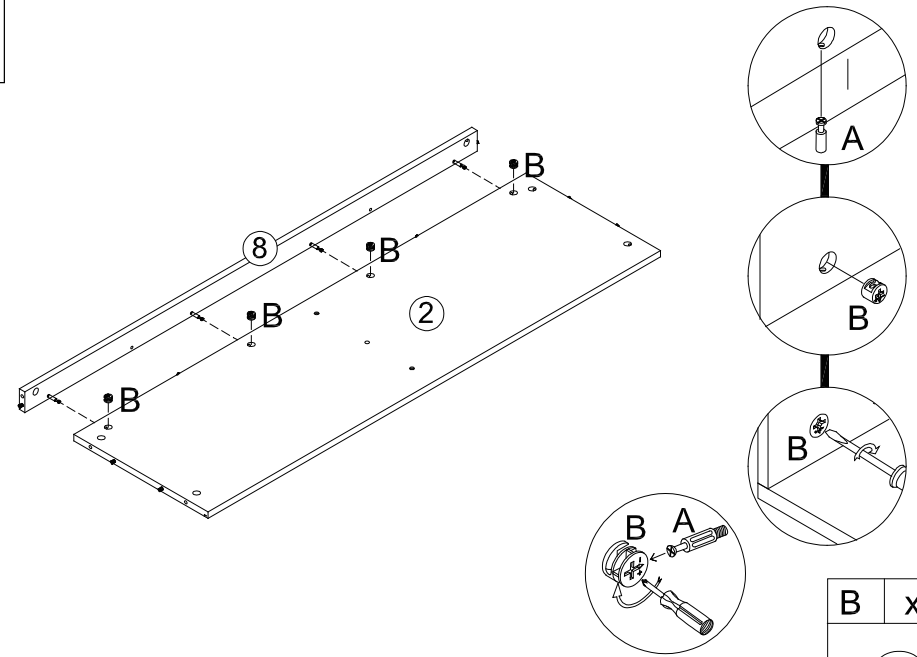
C	x22
	
6x30mm	

5



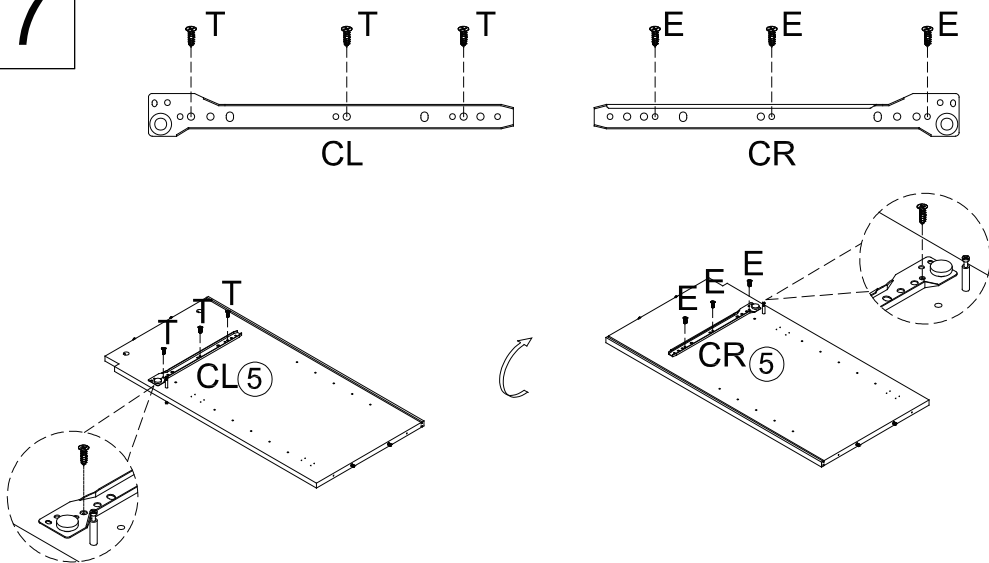
S	x1	C	x16
6×50mm		6×30mm	

6



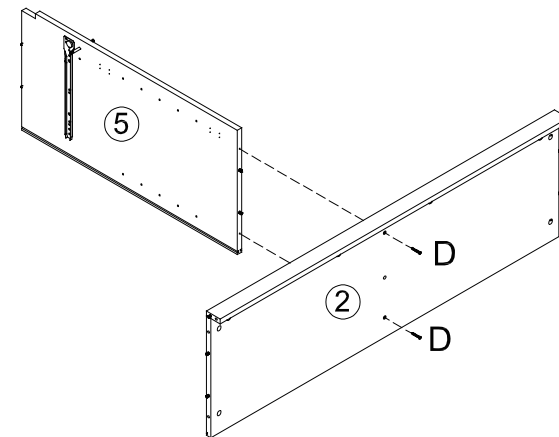
B	x4

7



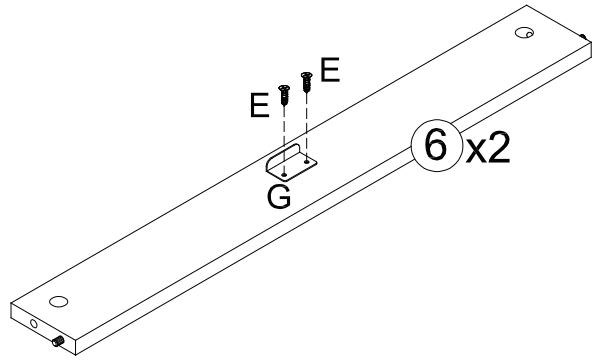
T	x3	E	x3	CL	x1	CR	x1
3.5×12mm		3×12mm					


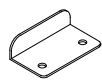
8



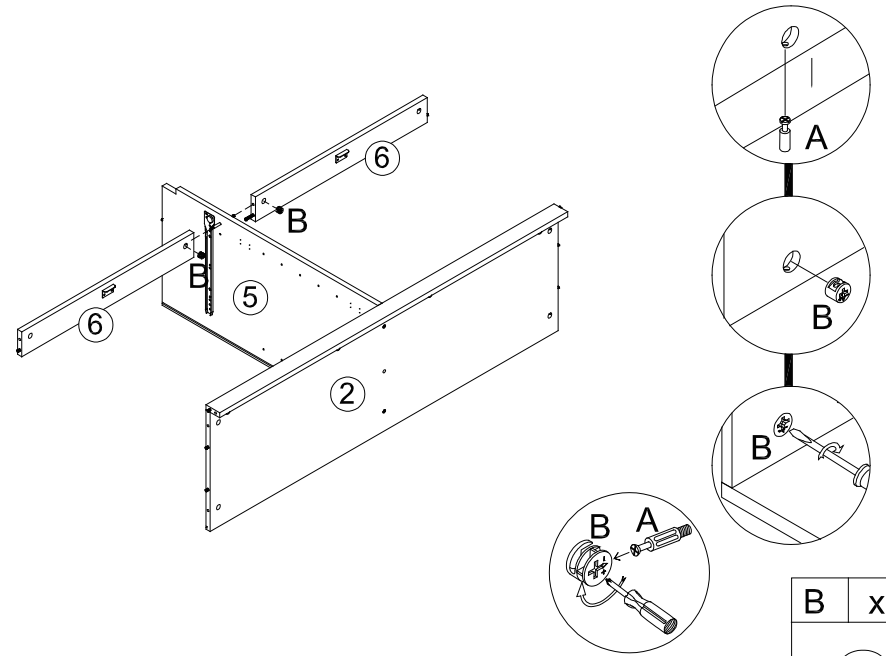
D	x2
4×40mm	


9



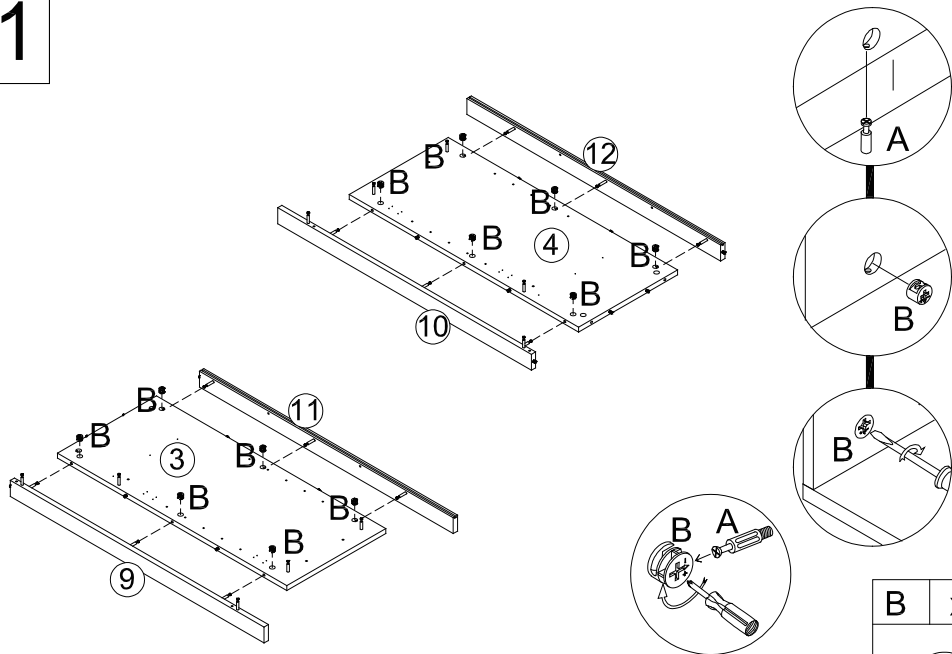
E	x4	G	x2
			
3x12mm			


10



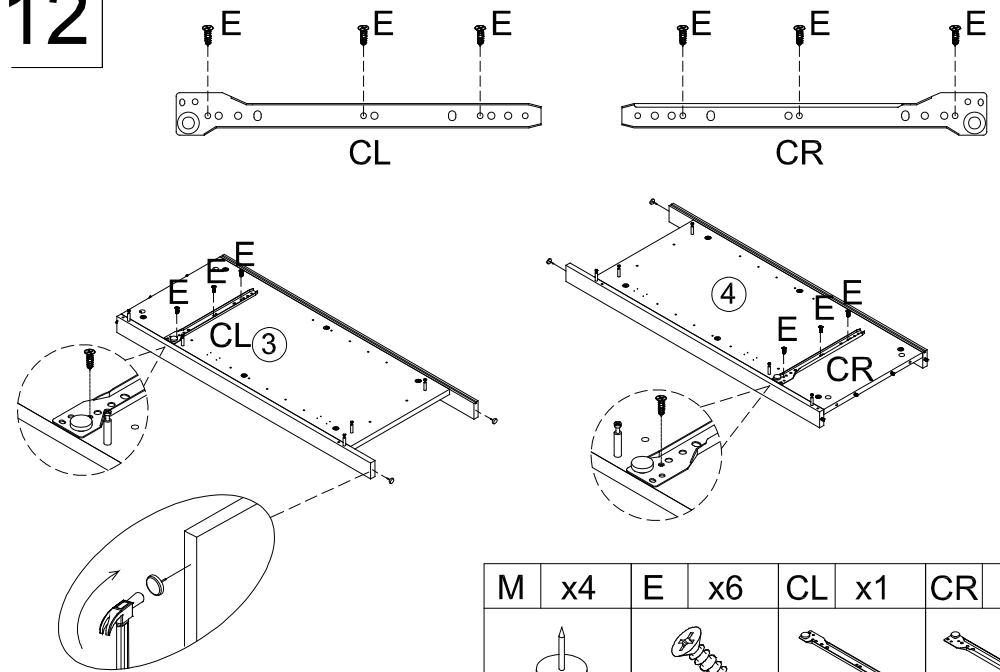
B	x2
	



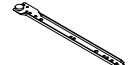

11



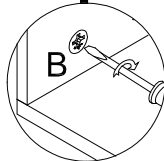
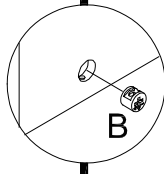
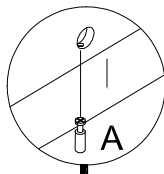
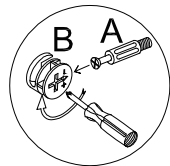
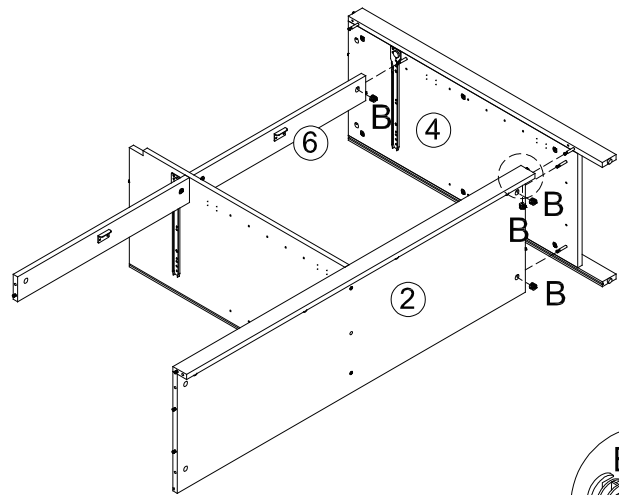
B	x12
	

12



M	x4	E	x6	CL	x1	CR	x1
							
		3x12mm					

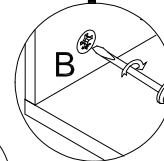
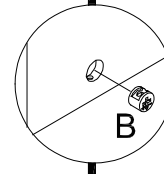
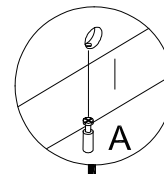
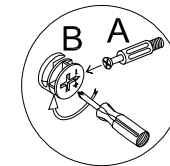
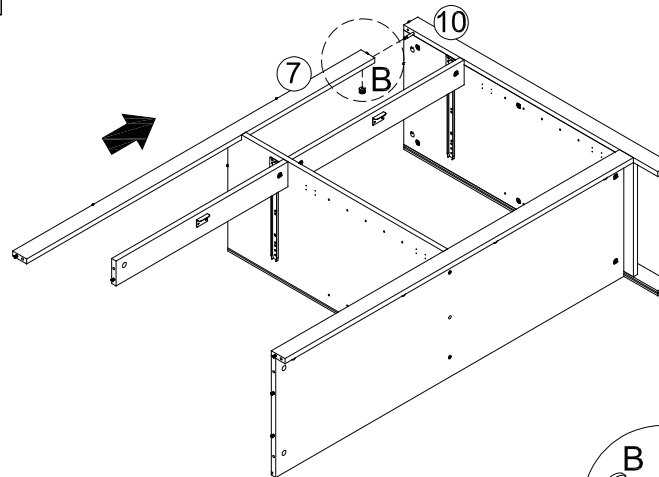
13



B x4



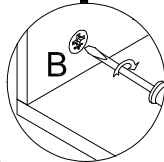
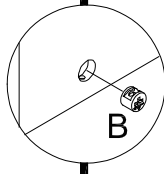
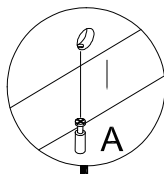
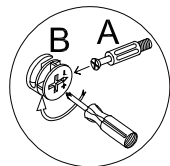
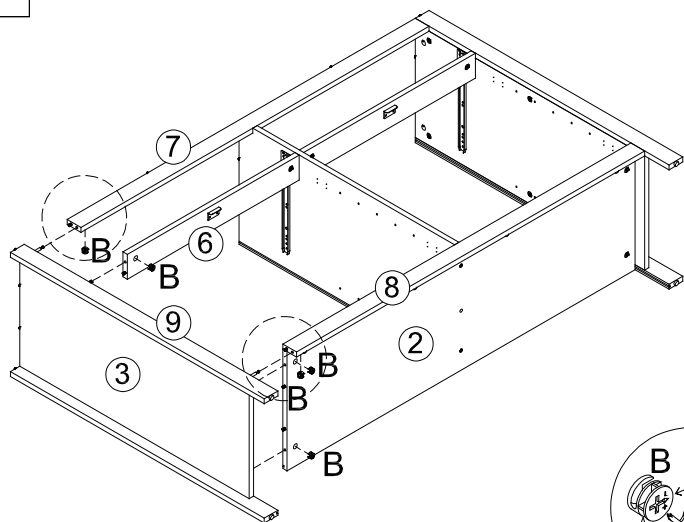
14



B x1



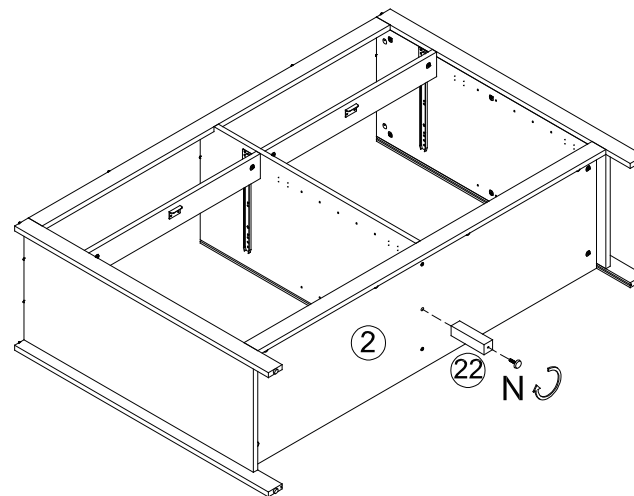
15



B x5



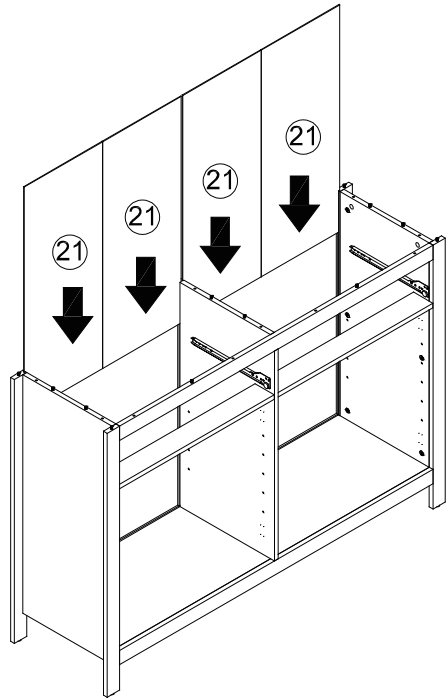
16



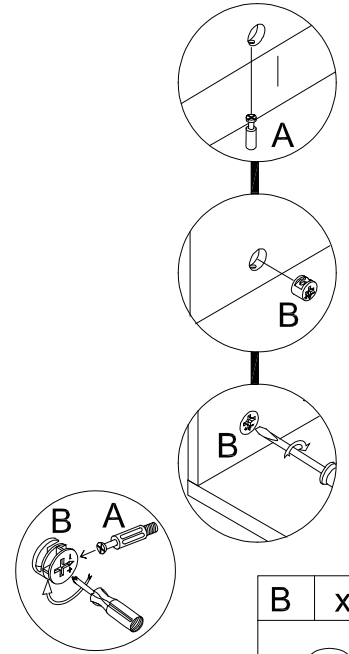
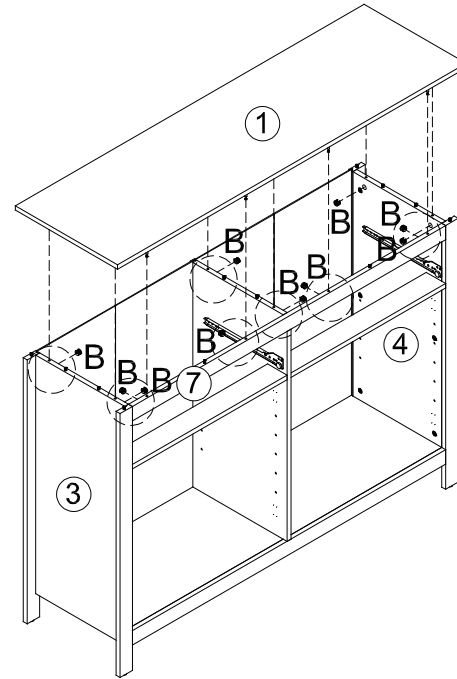
N x1



17



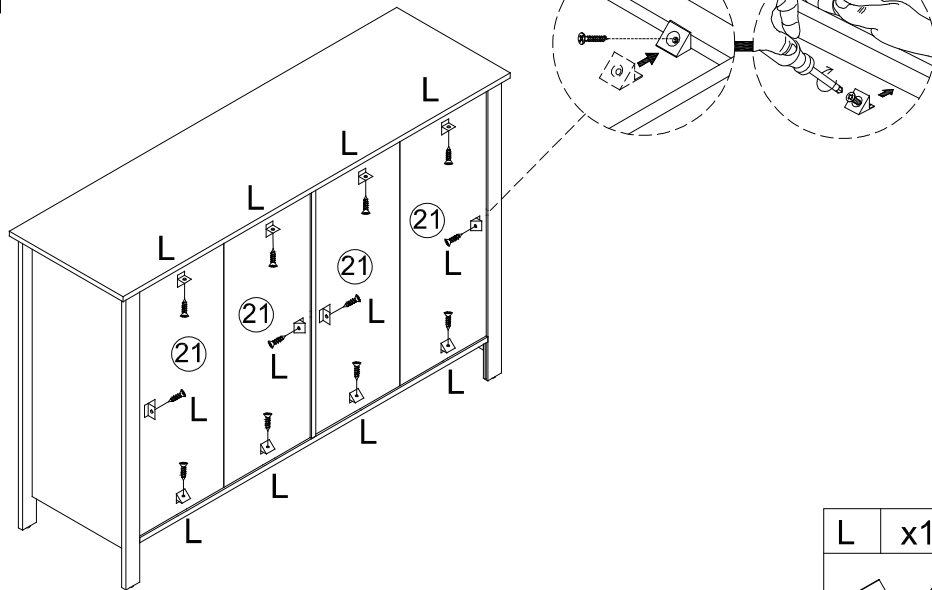
18



B x10



19

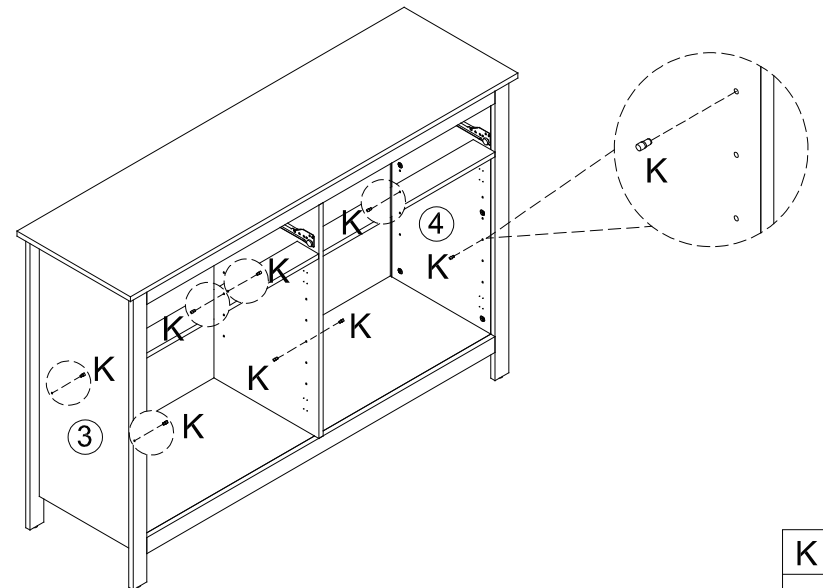


L x12



3x14mm

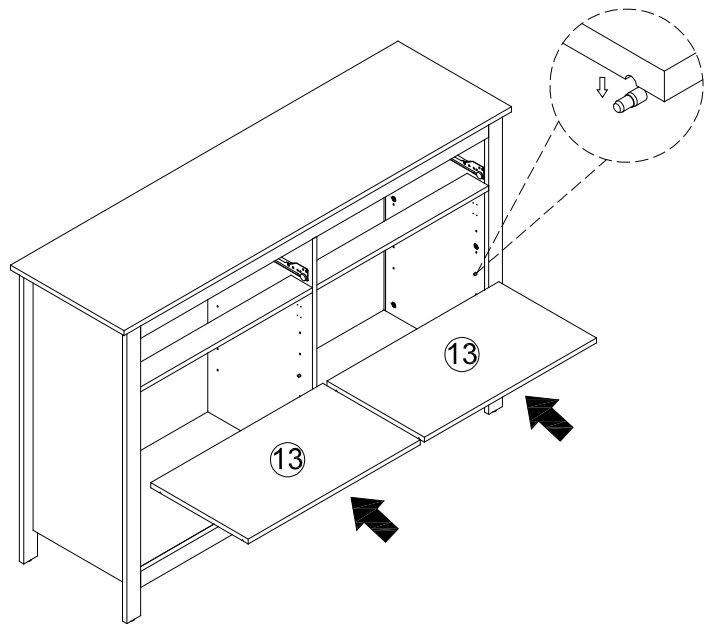
20



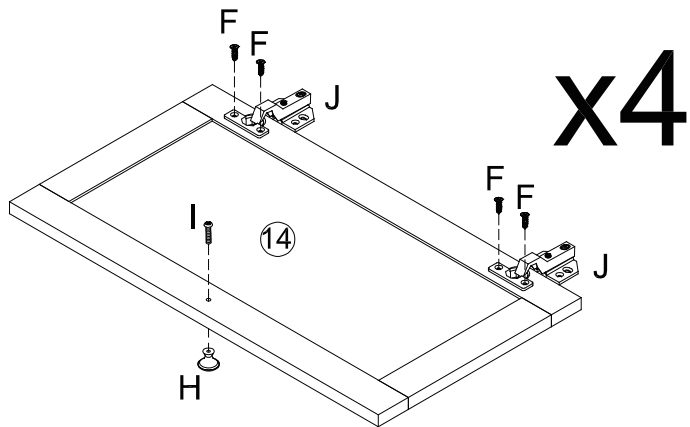
K x8


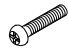
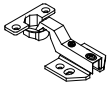



21

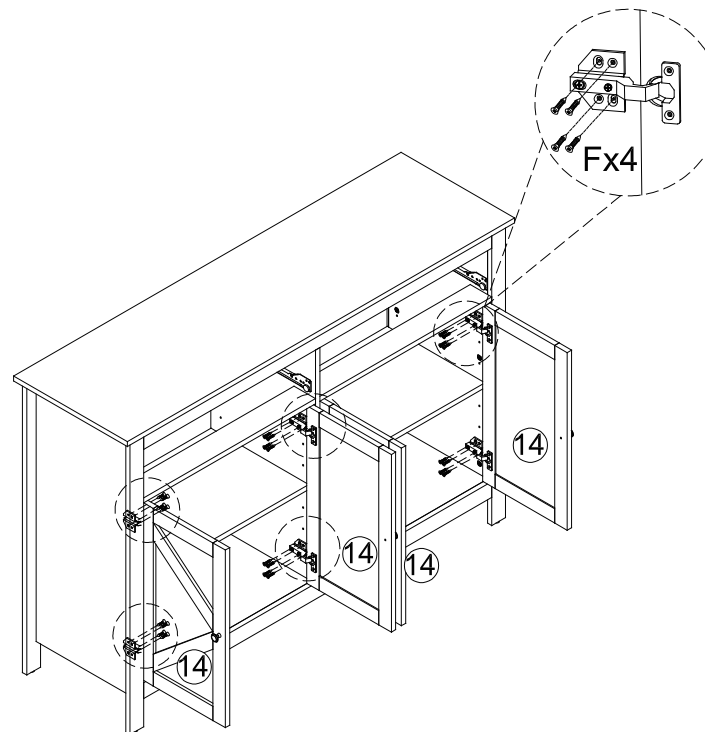
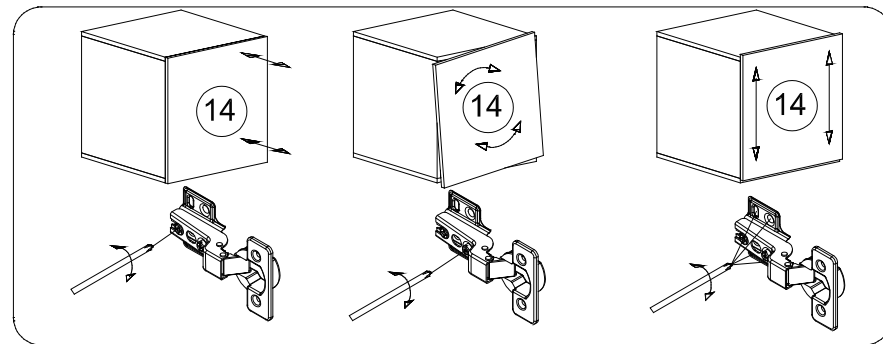



22



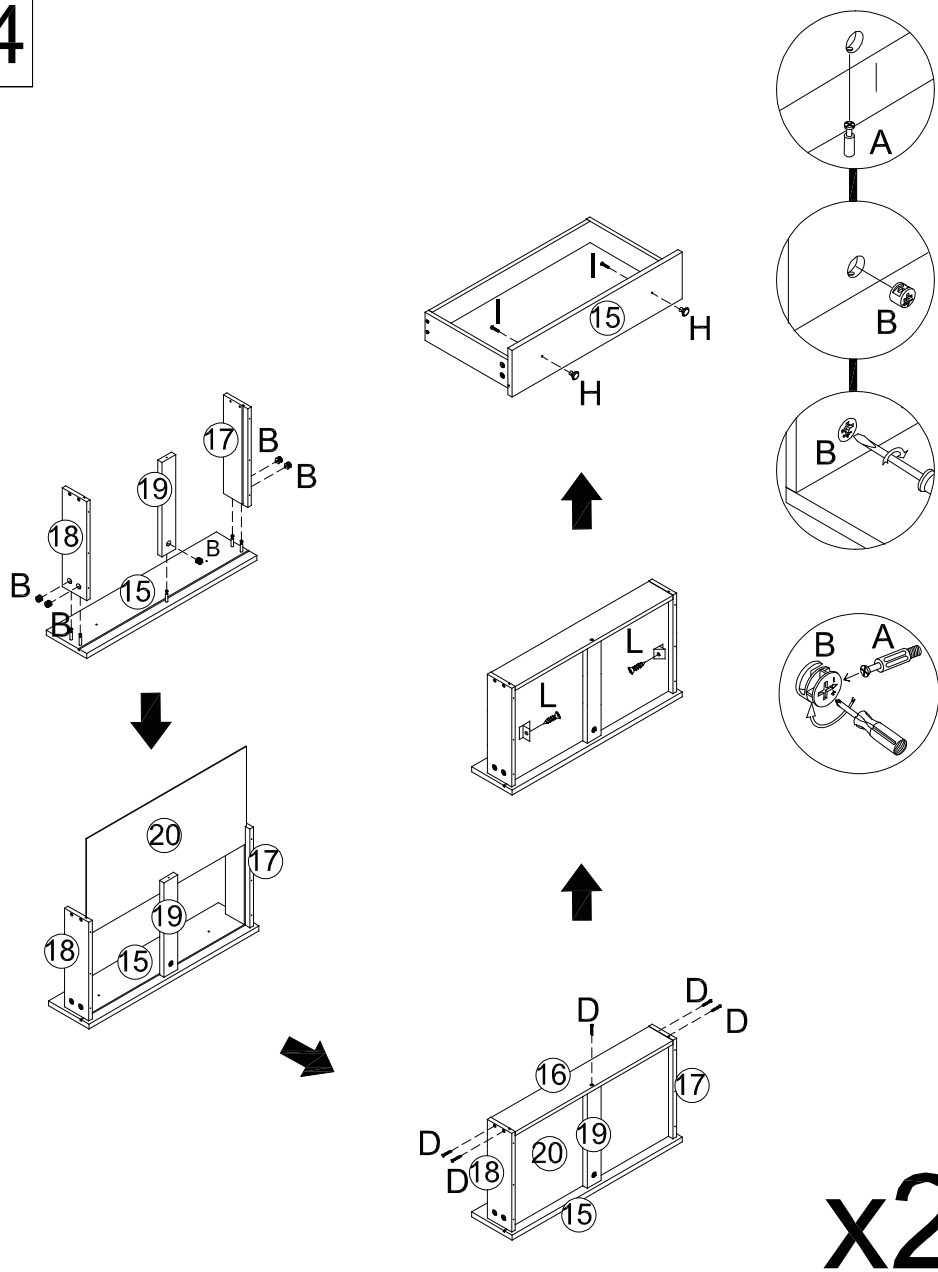
H	x4	I	x4	J	x8	F	x16
			4×20mm				3.5×14mm

23



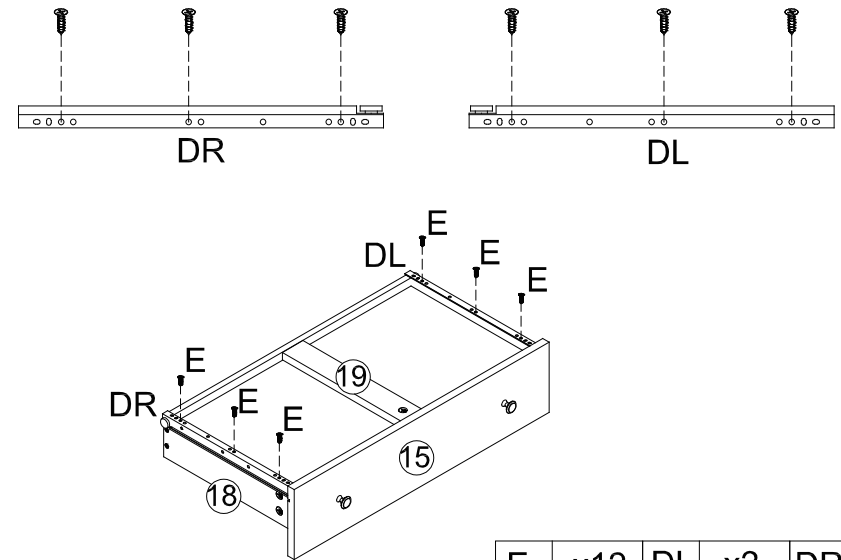
F	x32
	3.5×14mm

24



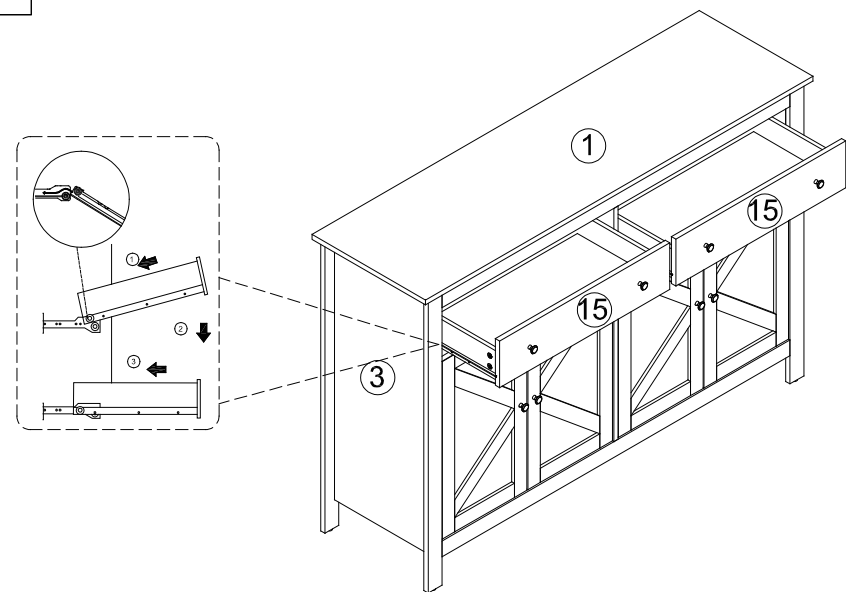
L	x4	H	x4	I	x4	D	x10	B	x10
3×14mm				4×20mm		4×40mm			

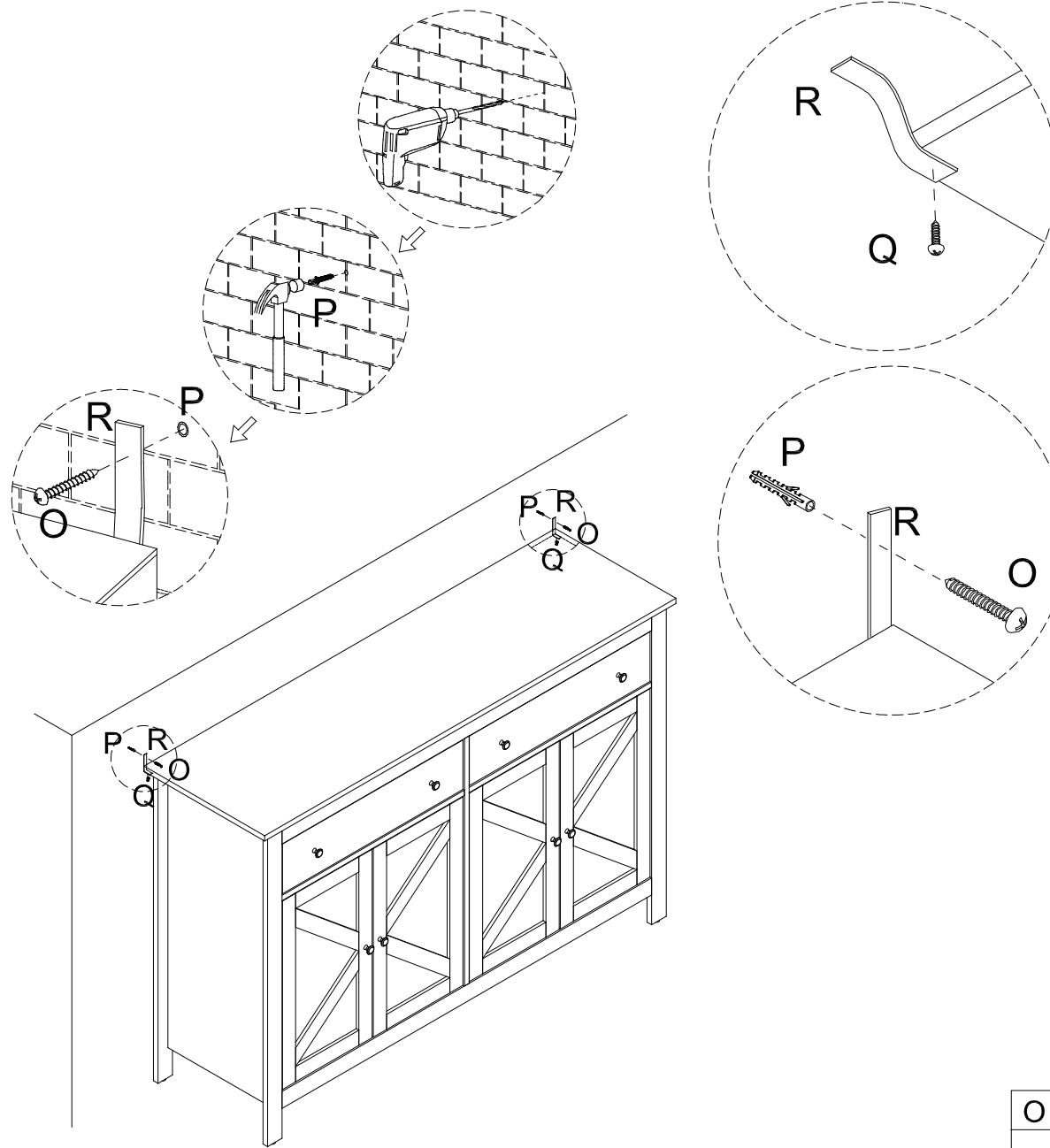
25



E	x12	DL	x2	DR	x2
3×12mm					

26





O	x2	P	x2	Q	x2	R	x2
