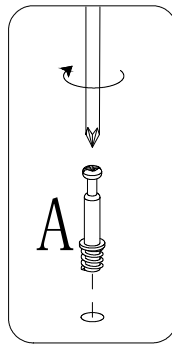
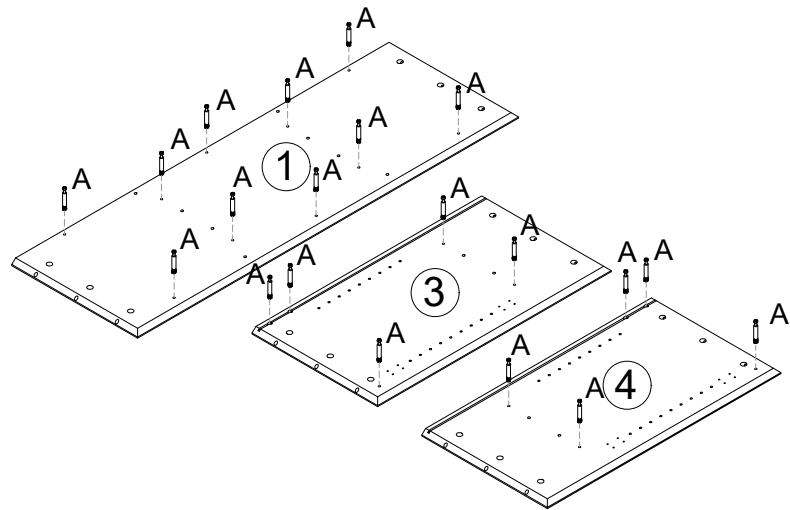


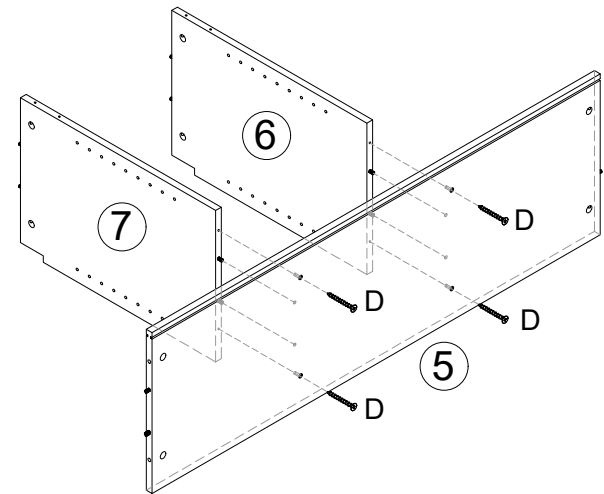
1



A x 20



3

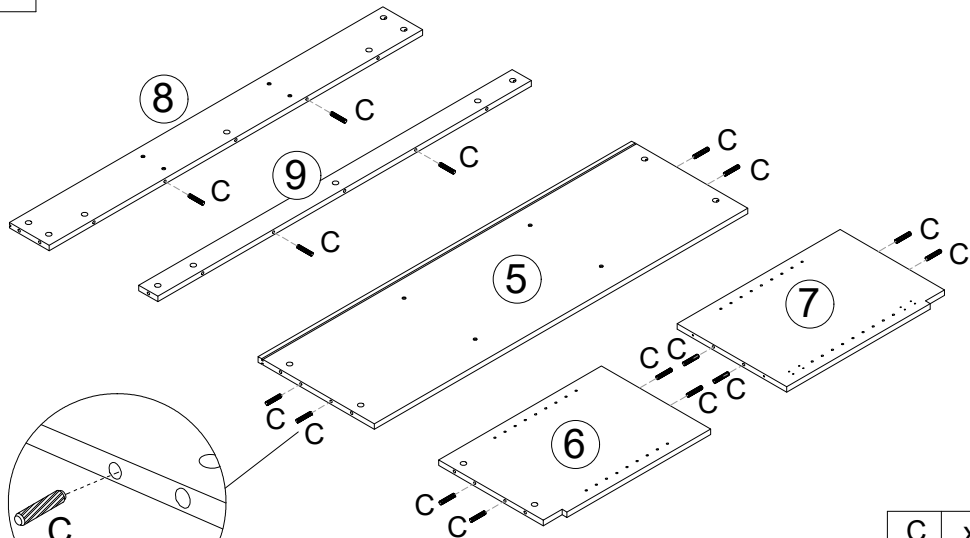


D x 4

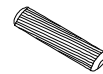


4x40mm

2

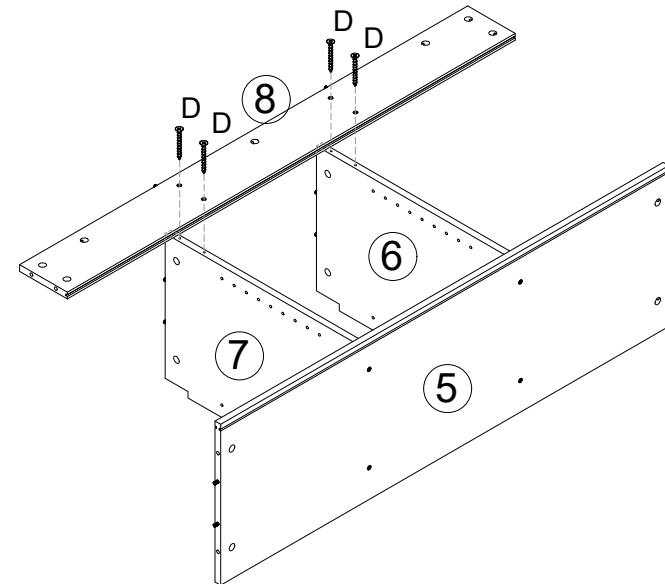


C x 16



6x30mm

4

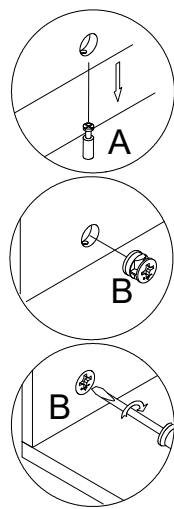
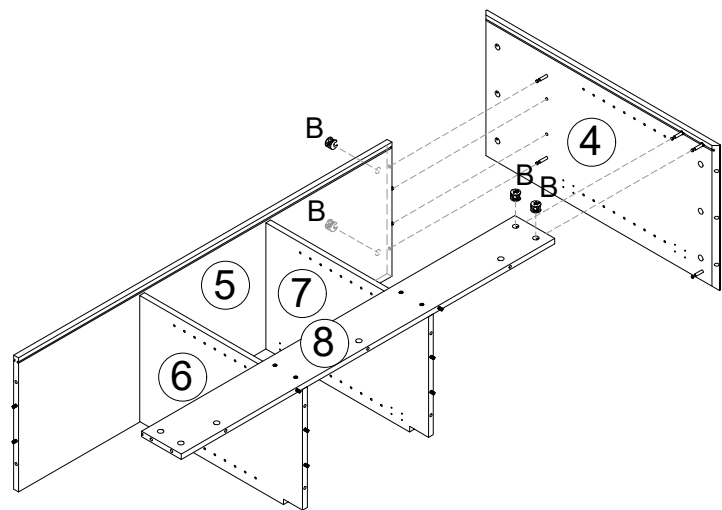


D x 4



4x40mm

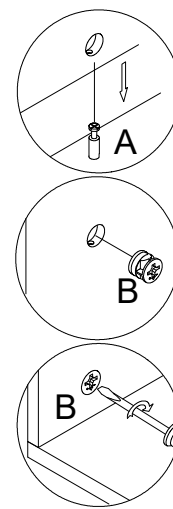
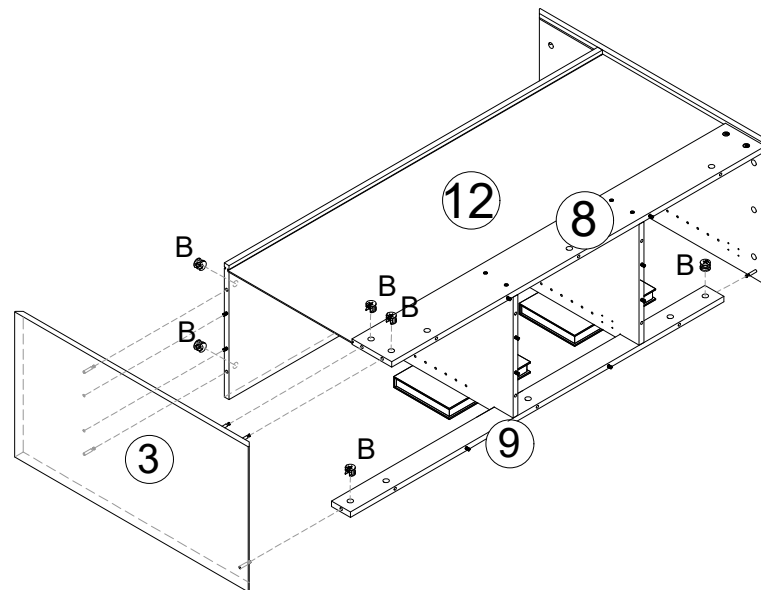
5



B x 4



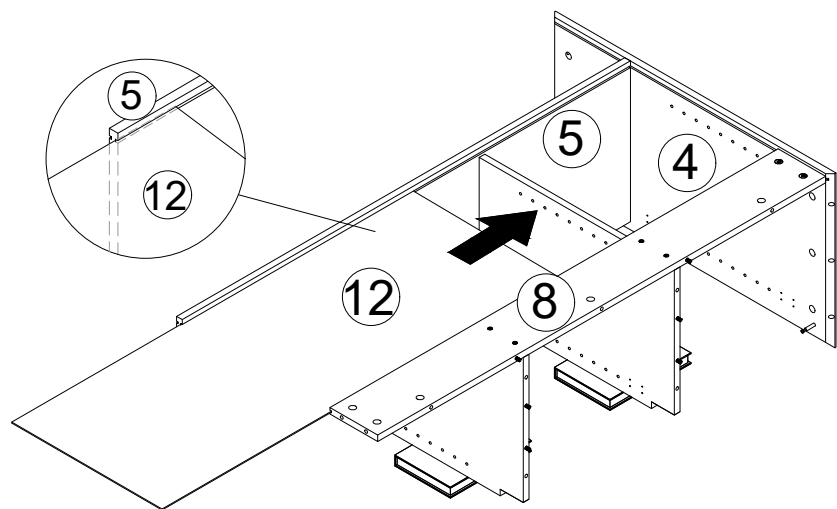
7



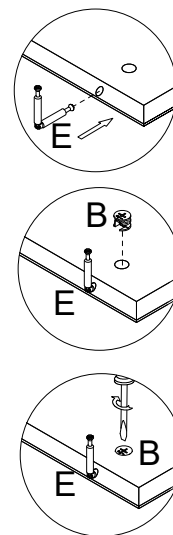
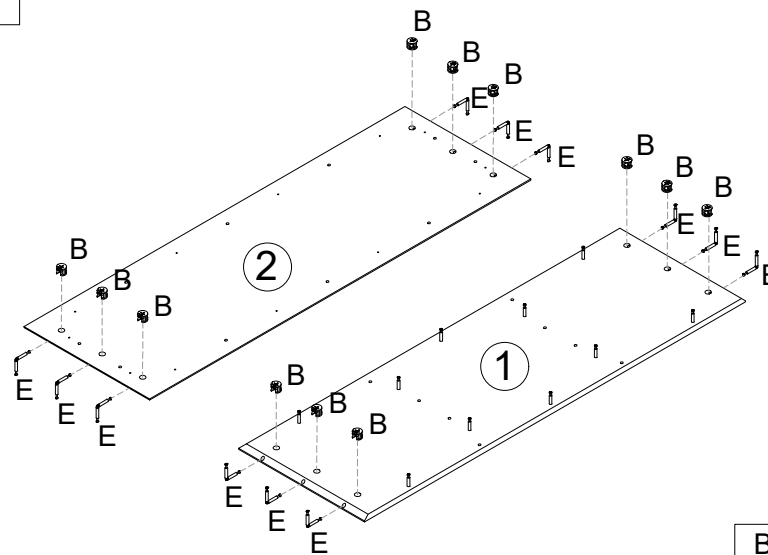
B x 6



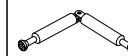
6



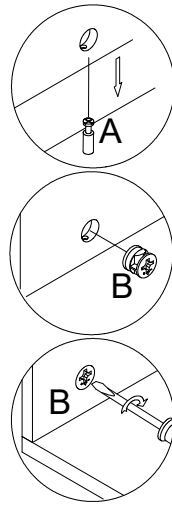
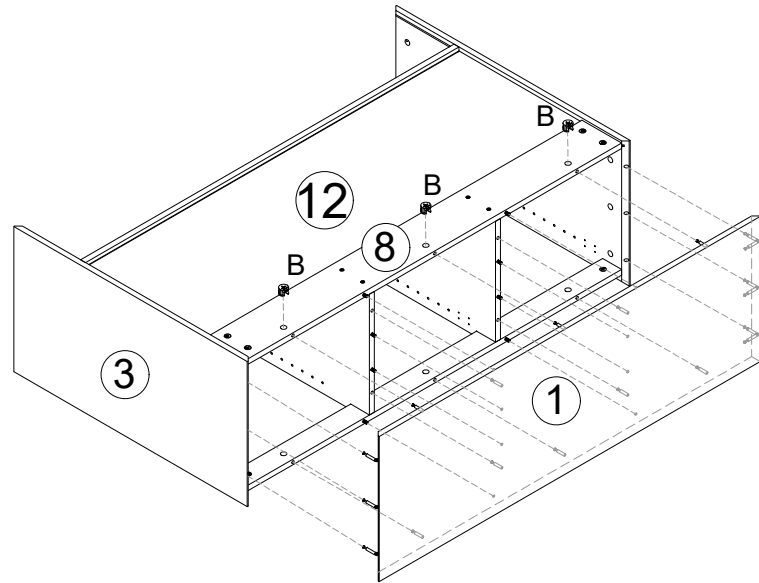
8



B x 12 E x 12

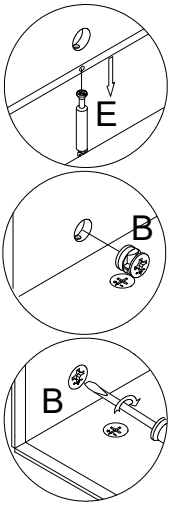
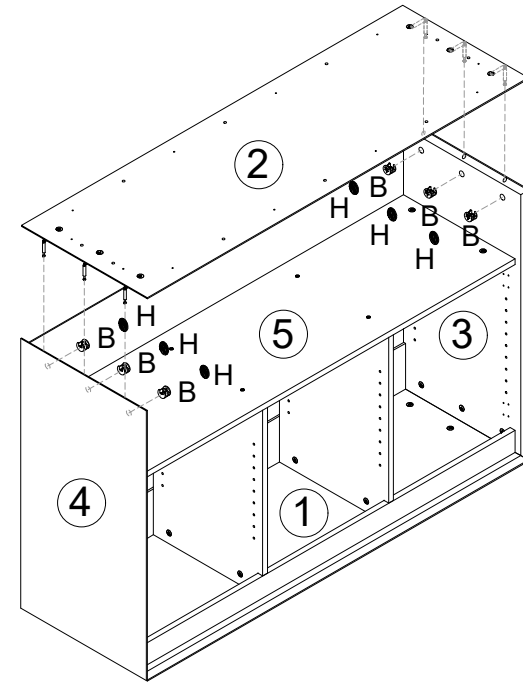
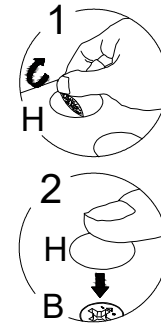


9



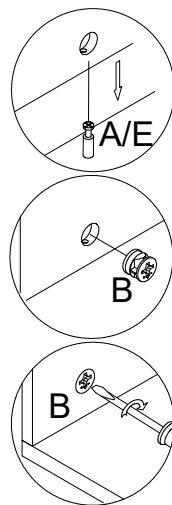
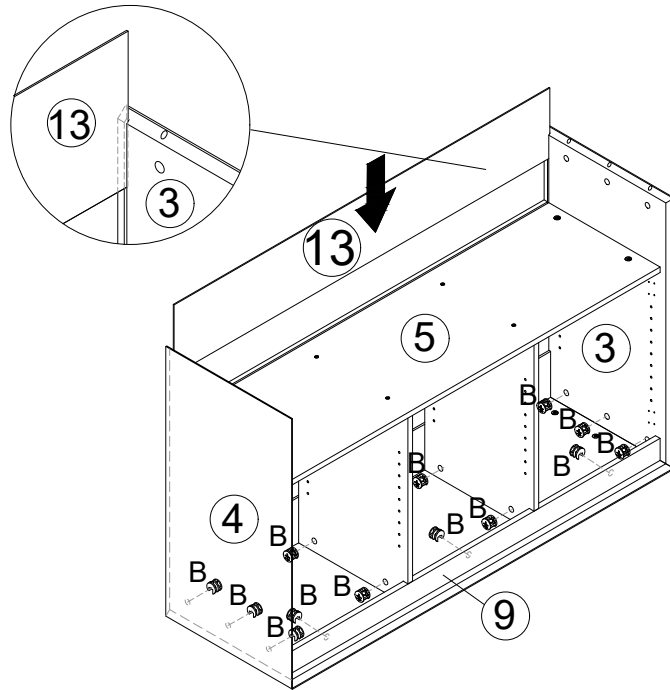
B	x 3

11



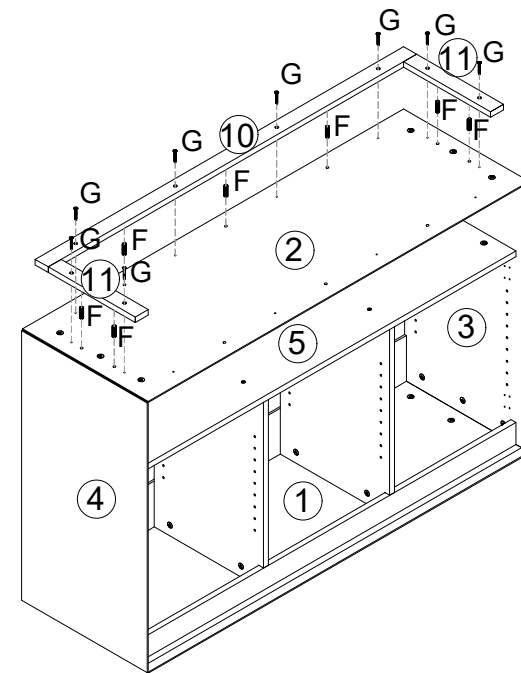
H	x 6	B	x 6

10



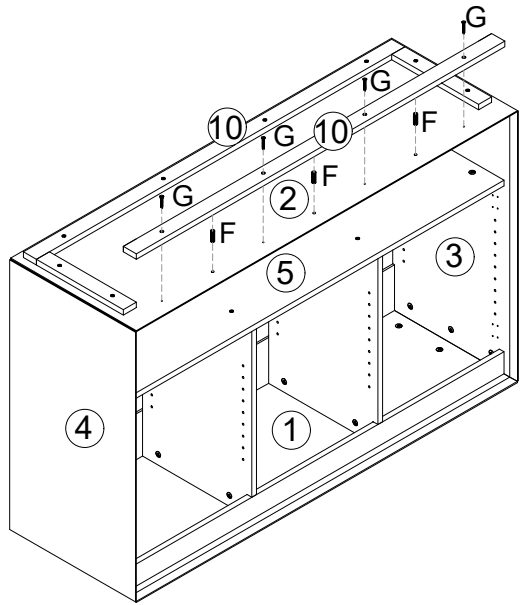
B	x 13

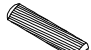

12



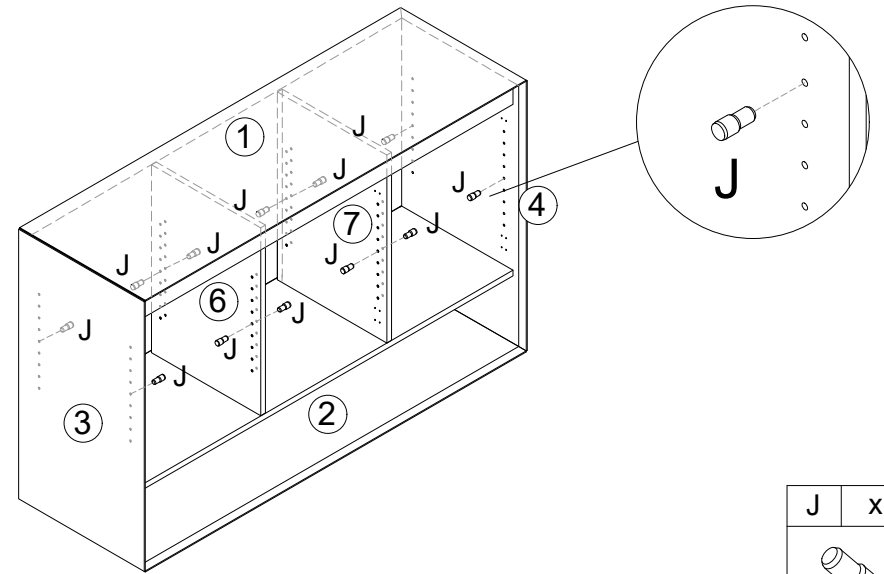
F	x 7	G	x 8
6x20mm		4x25mm	


13



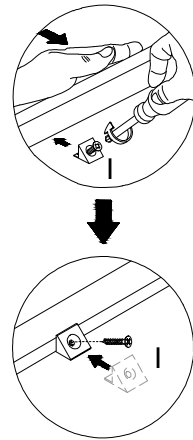
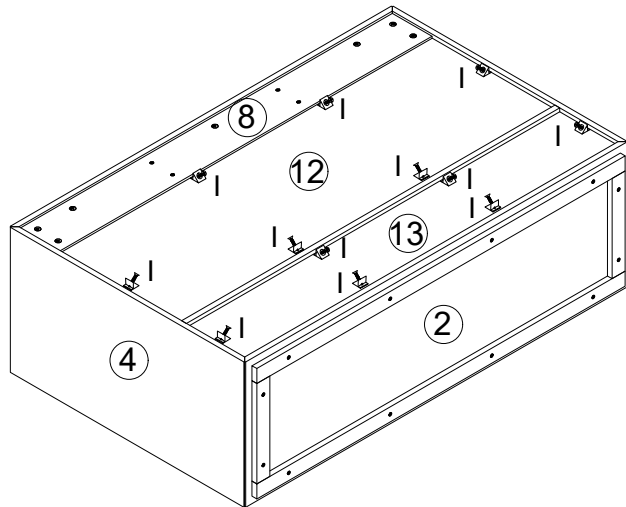
F	x 3	G	x 4
			
6x20mm		4x25mm	

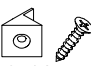
15



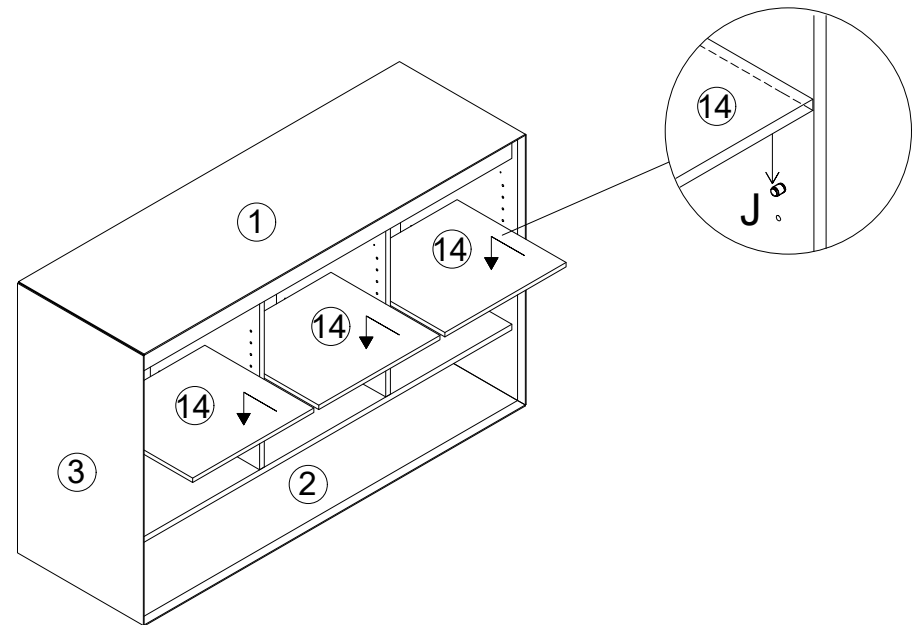
J	x 12
	

14

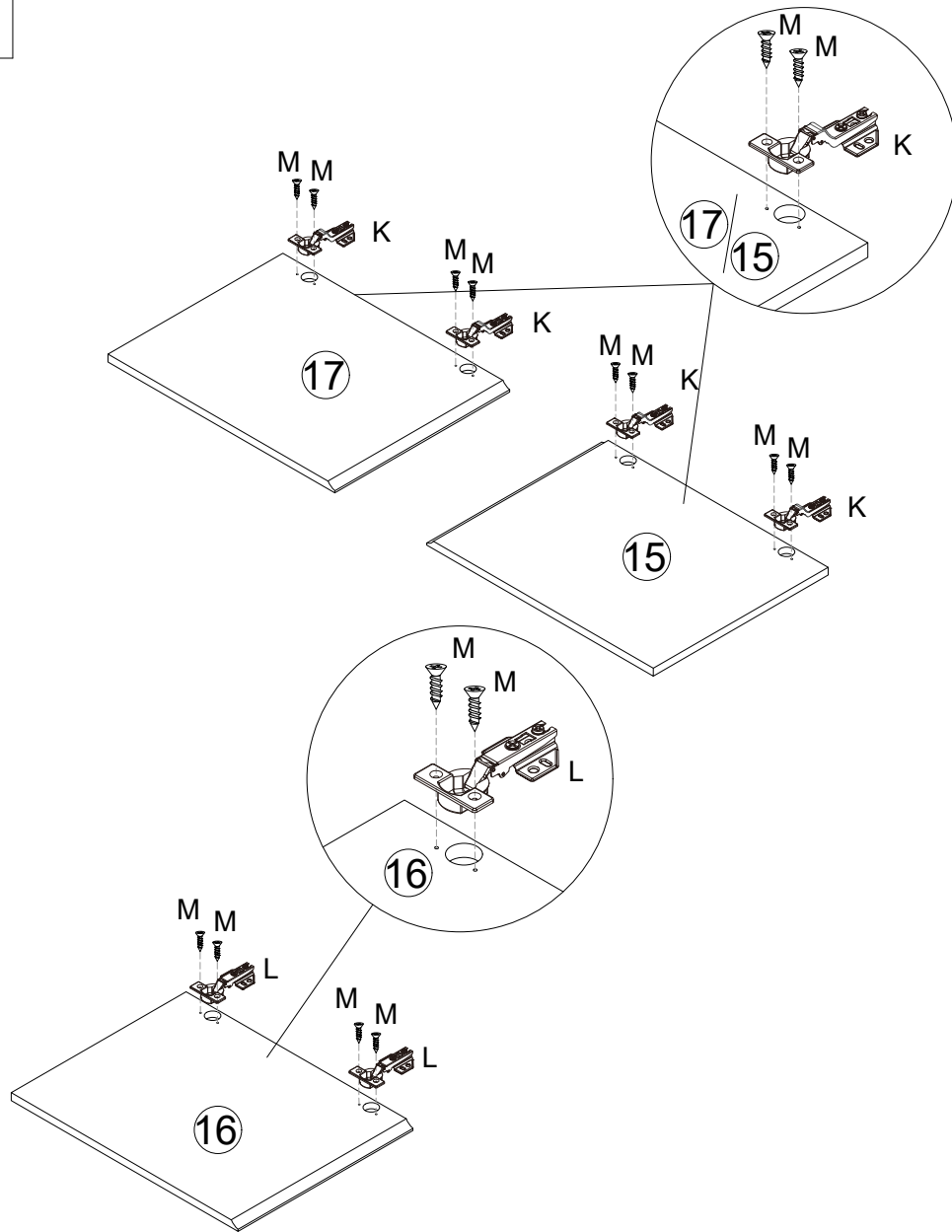





I	x 12
	
3x14mm	

16

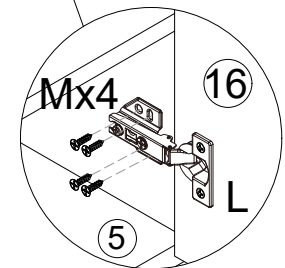
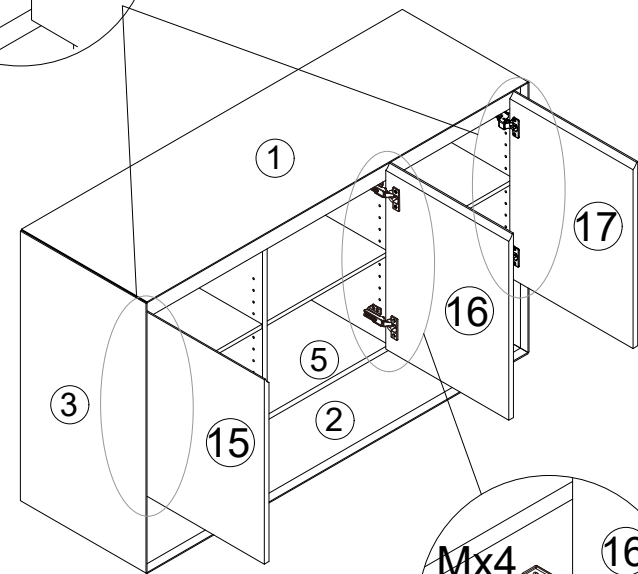
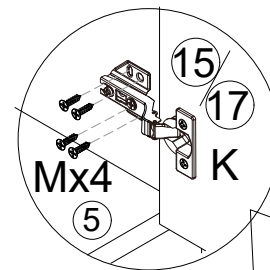
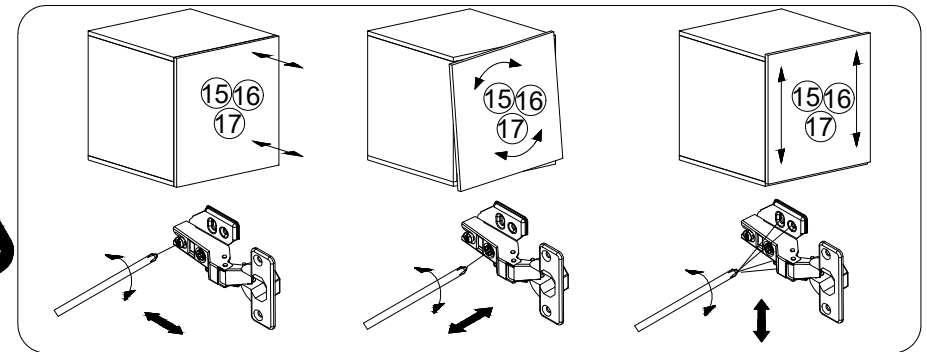



17



K	x 4	L	x 2	M	x 12
					
3.5x14mm					

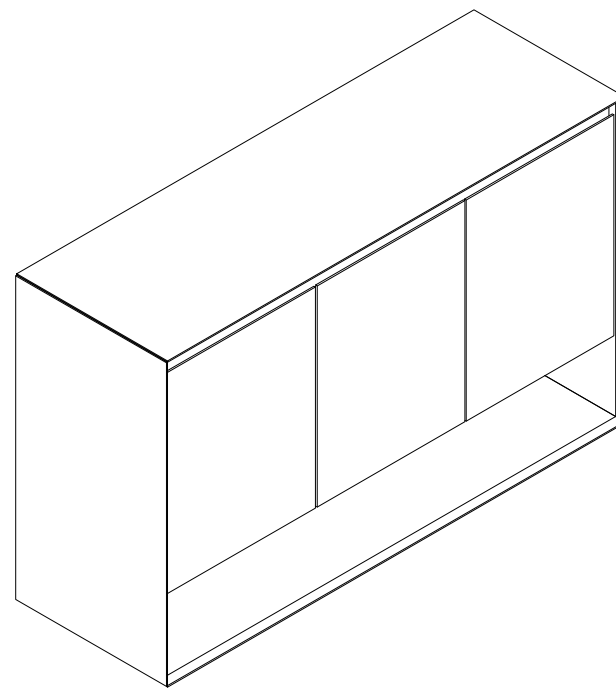
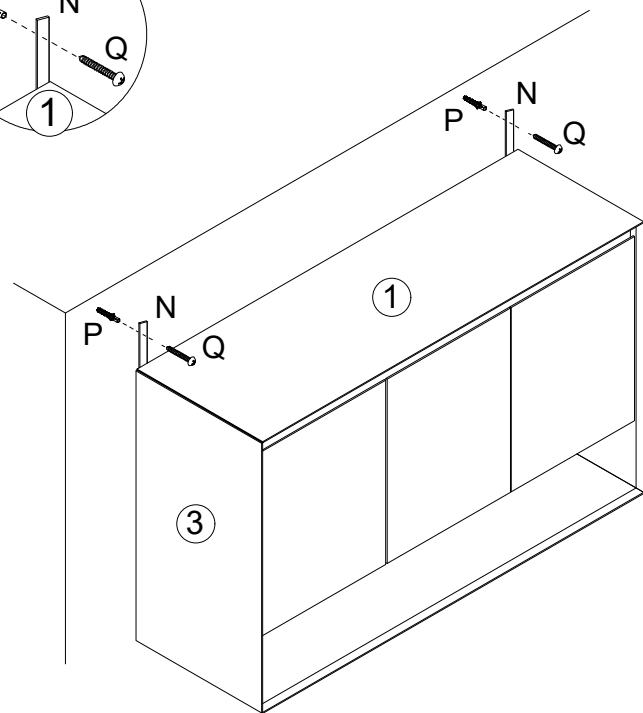
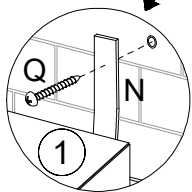
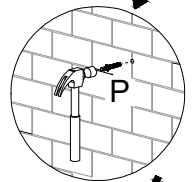
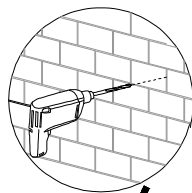
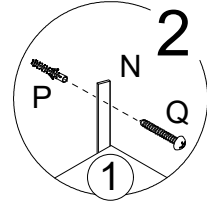
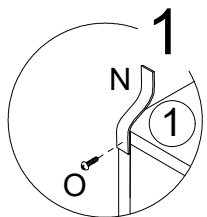
18


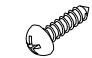




M	x 24
	
3.5x14mm	

19

Pre-drilled hole at wall



N	x2	O	x2	P	x2	Q	x2
							
		4x14mm				4x30mm	