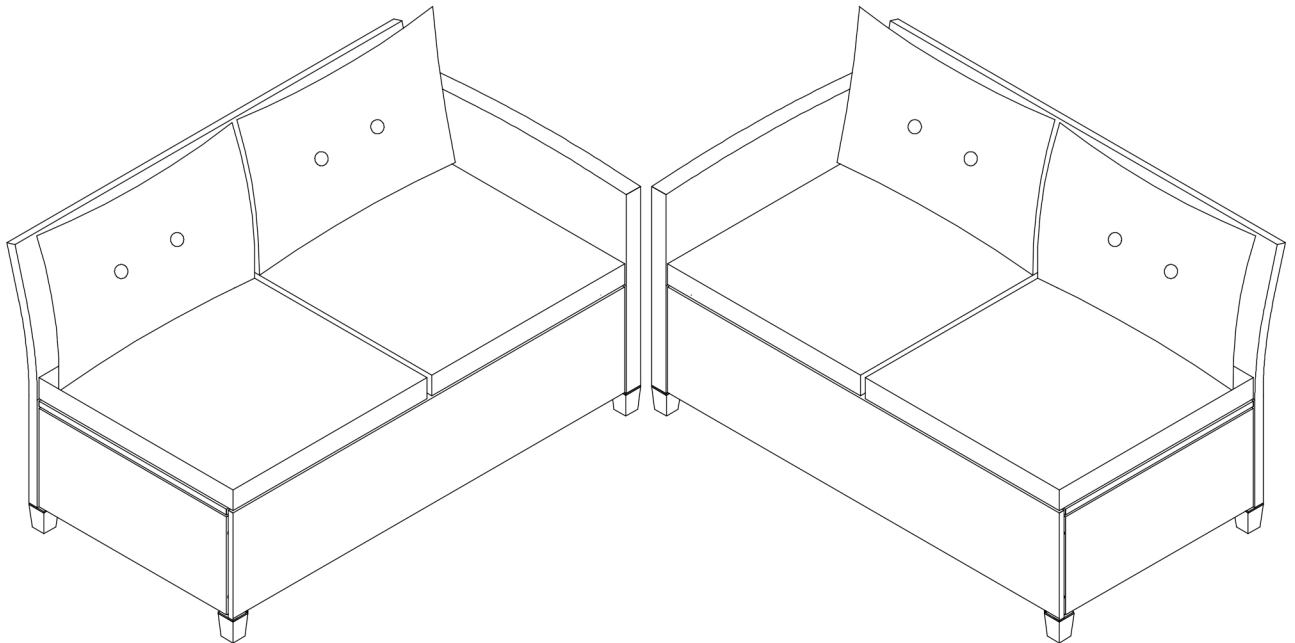


# **Rattan Wicker Sofa**

**TXYD-032-01**

## **Original instruction manual**

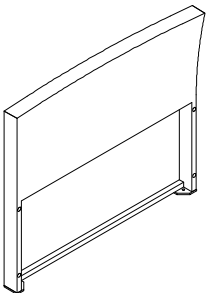
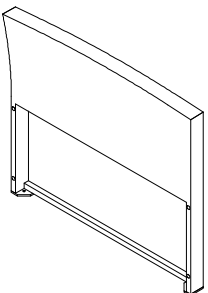
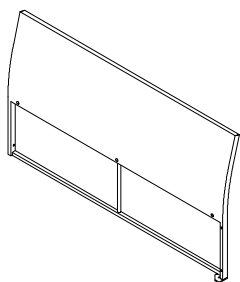
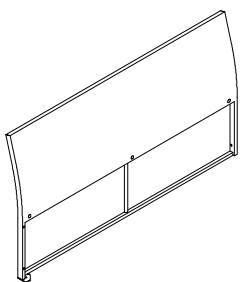
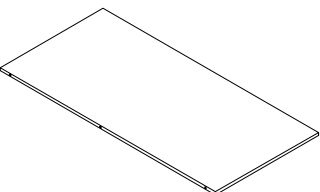
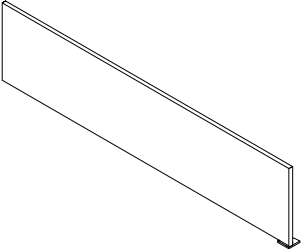
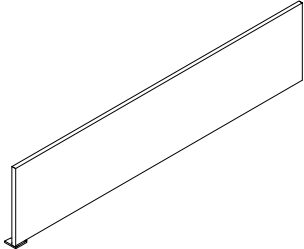
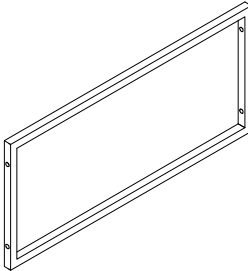
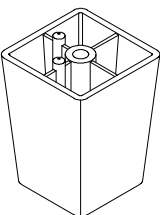
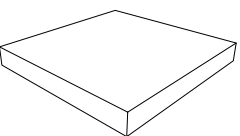
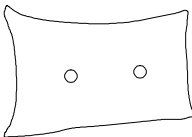
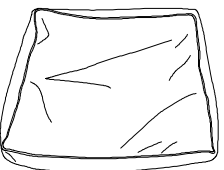
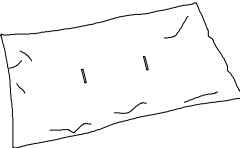
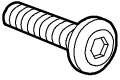
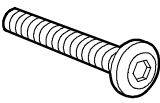
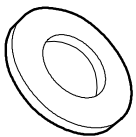
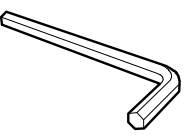
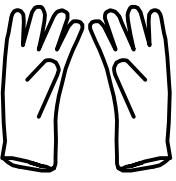

**Attention: There a Left double sofa and one right double sofa in the box!**



**Dear customer,**

**Thank you for choosing our product. please read this manual carefully before assembling or using the product, to avoid damage caused by improper use. If the product is passed on to third parties, this manual has to be passed on along with the product. For any question don't hesitate to contact us.**

## Parts list

<p><b>A</b>            1x</p> 	<p><b>B</b>            1x</p> 	<p><b>C</b>            1x</p> 	<p><b>D</b>            1x</p> 
<p><b>E</b>            2x</p> 	<p><b>F</b>            1x</p> 	<p><b>G</b>            1x</p> 	<p><b>H</b>            2x</p> 
<p><b>I</b>            8x</p> 	<p><b>J</b>            4x</p> 	<p><b>K</b>            4x</p> 	<p><b>L</b>            4x</p> 
<p><b>M</b>            4x</p> 	<p><b>M1</b>          28x</p>  M6x32	<p><b>M2</b>          8x</p>  M6x65	<p><b>M3</b>          28x</p> 
<p><b>M4</b>          2x</p>  <b>SPANNER</b>	<p><b>M5</b>          1x</p>  <b>Glove</b>	<p><b>M6</b>          1x</p>  <b>SPANNER</b>	



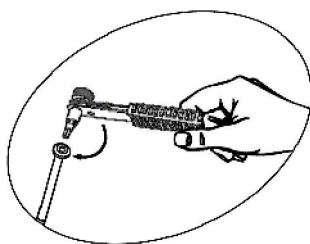
Warning



Please wear gloves before assembly.

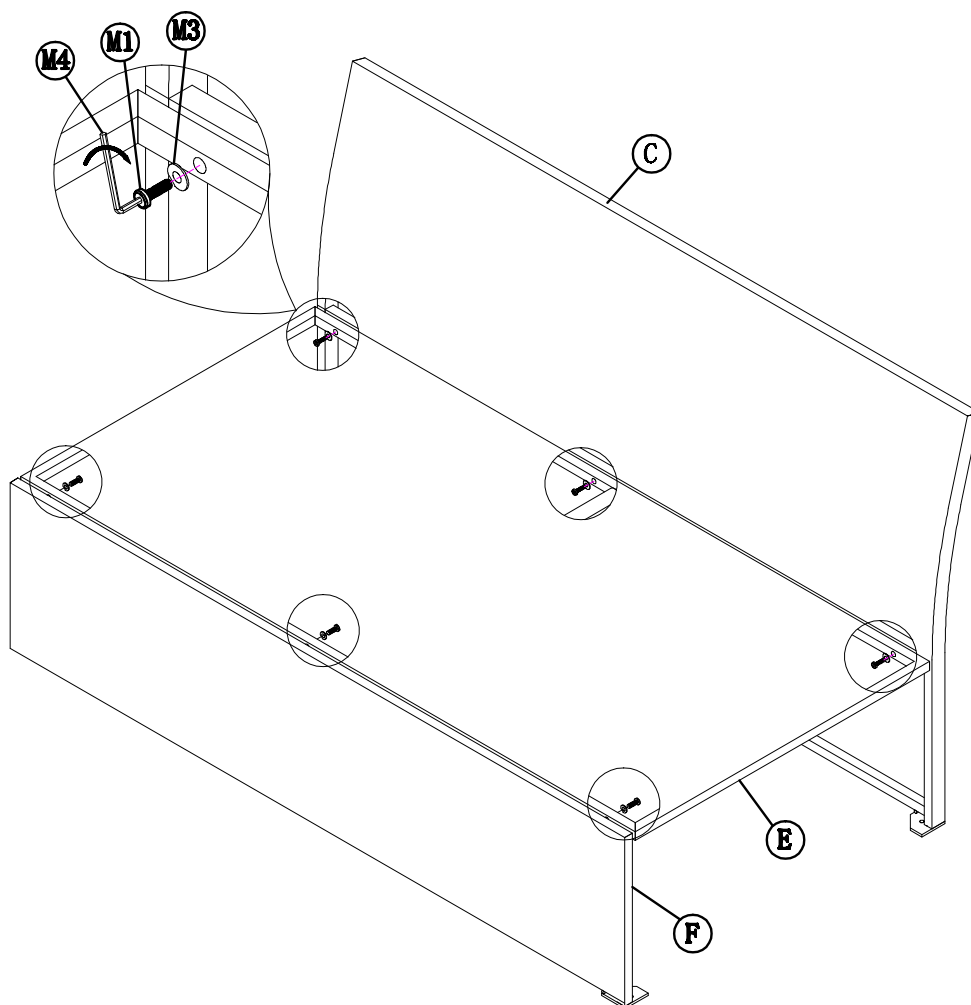
## sofa assembly 1

Do not tighten when assembling, tighten all parts after assembly.

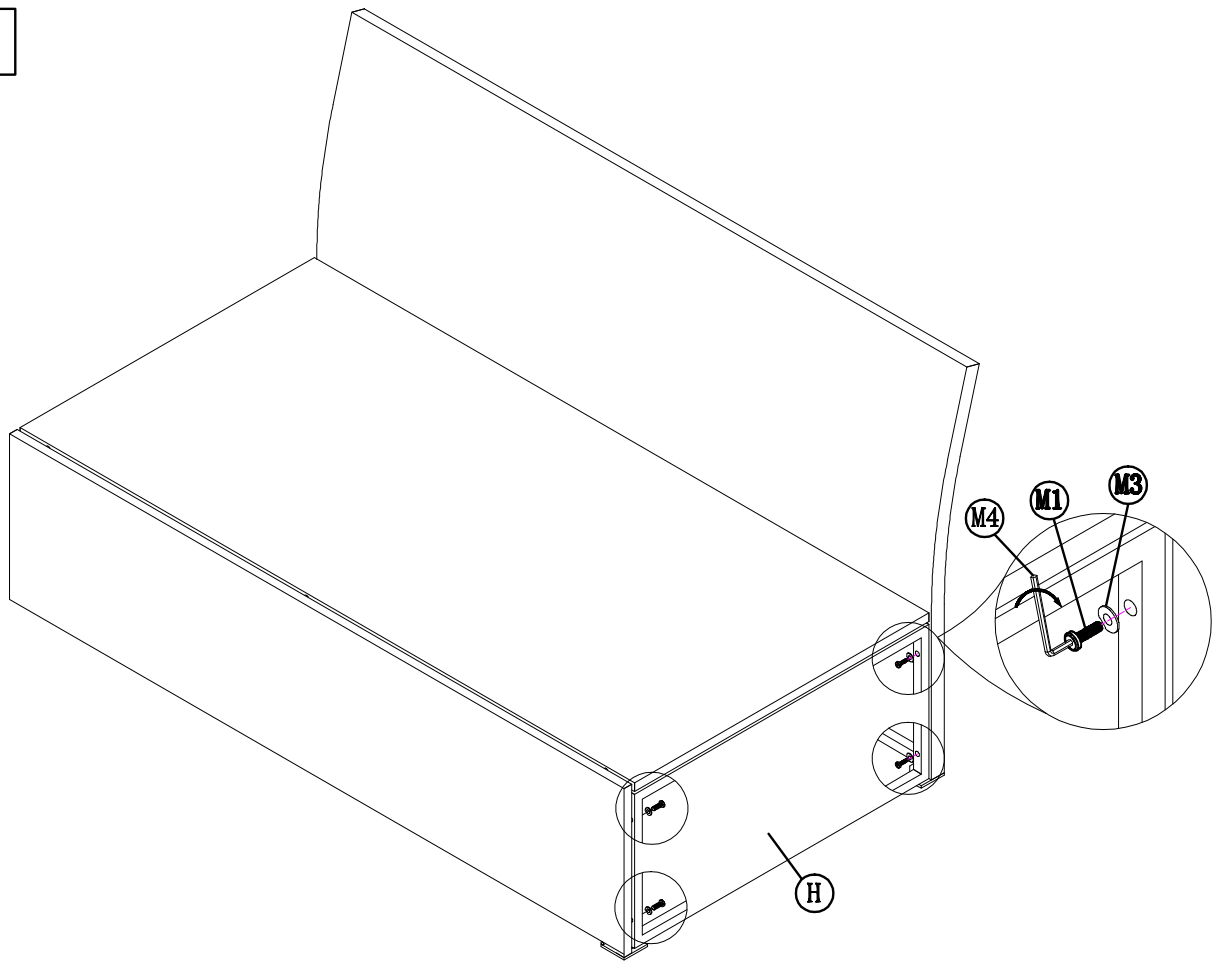


Ratchet wrench Mode of use

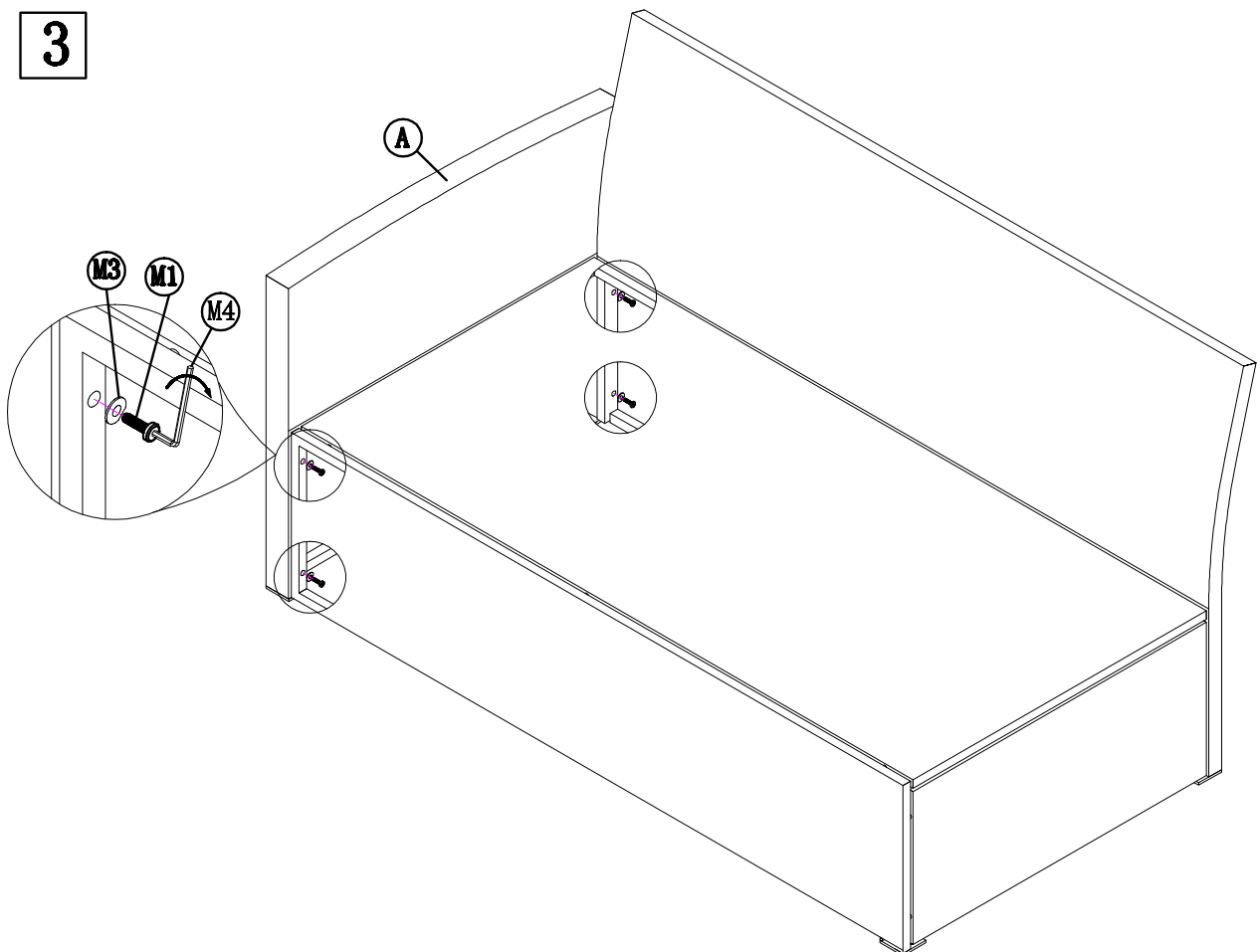
1



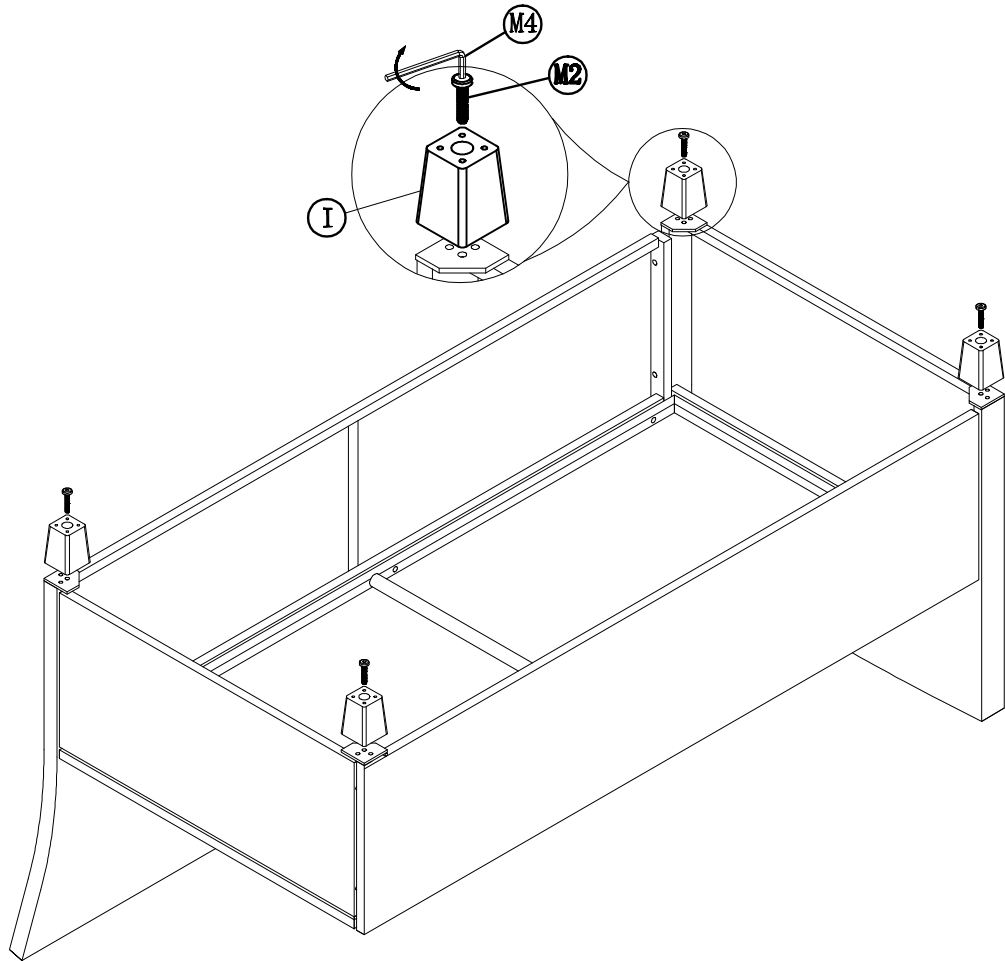
2



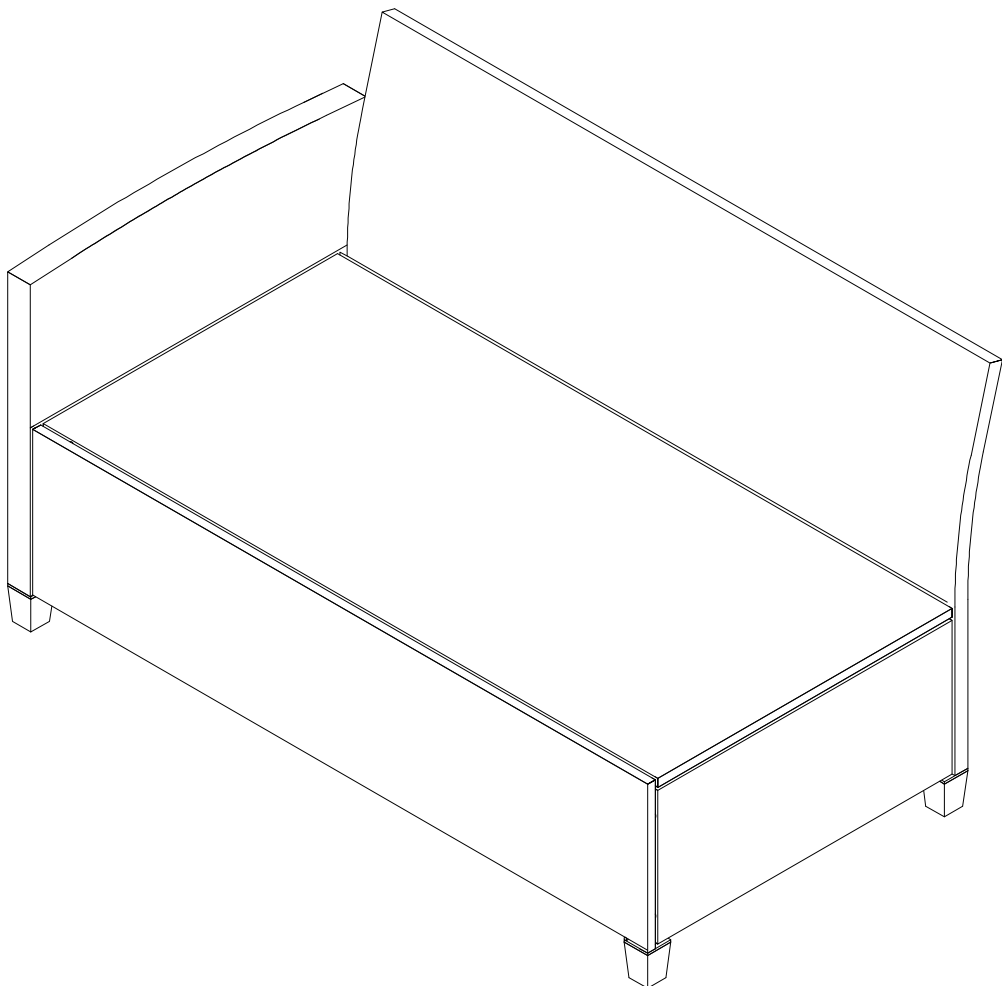
3



4



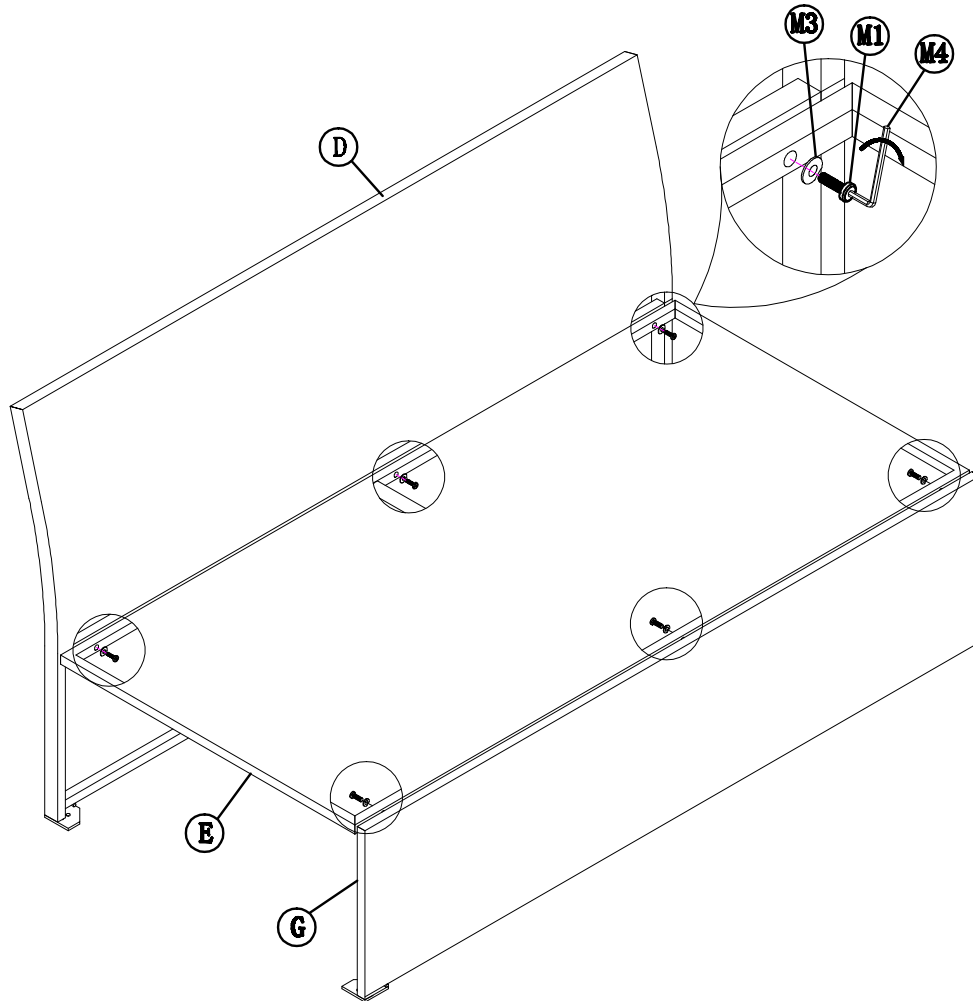
5



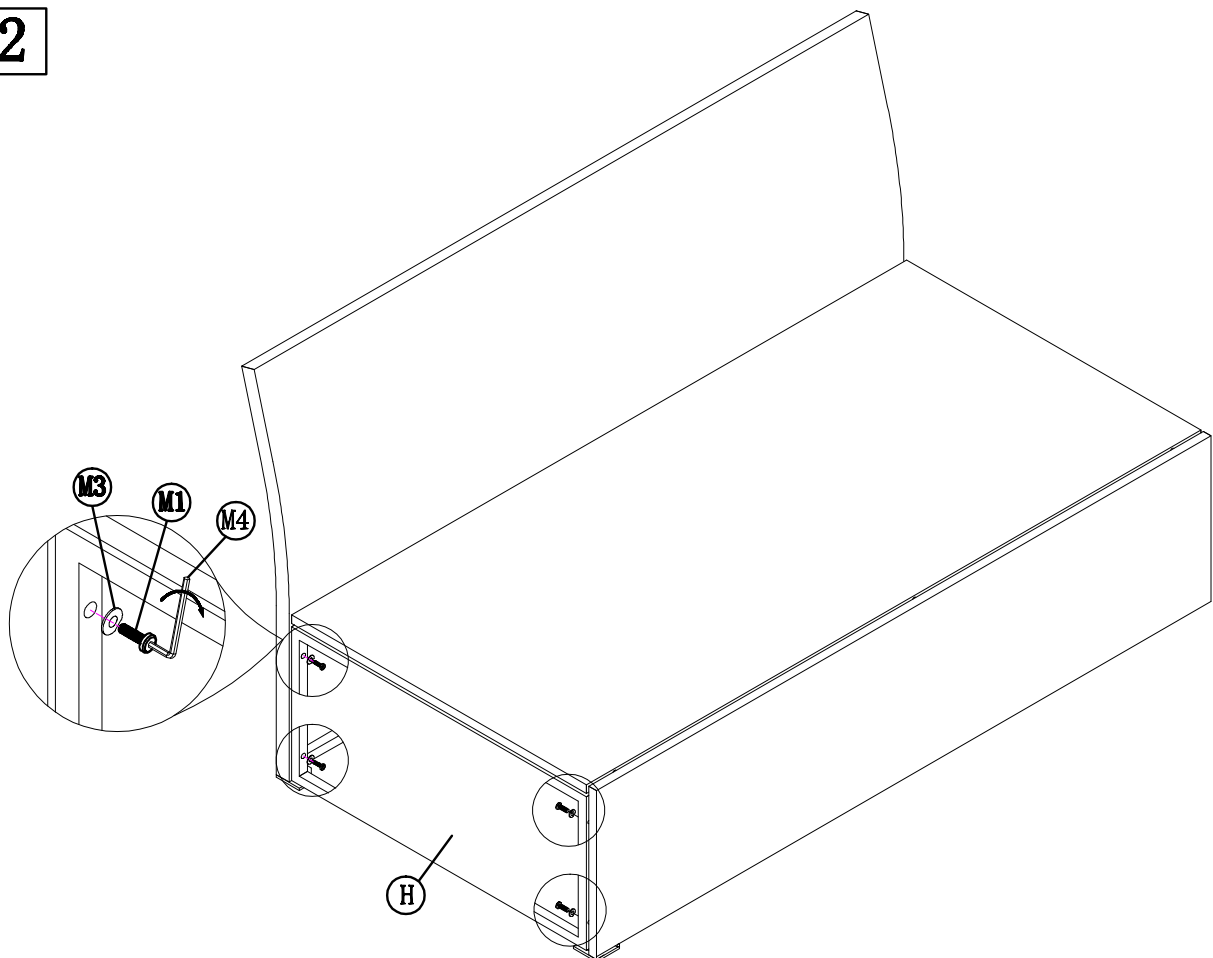
# sofa assembly 2

Do not tighten when assembling, tighten all parts after assembly.

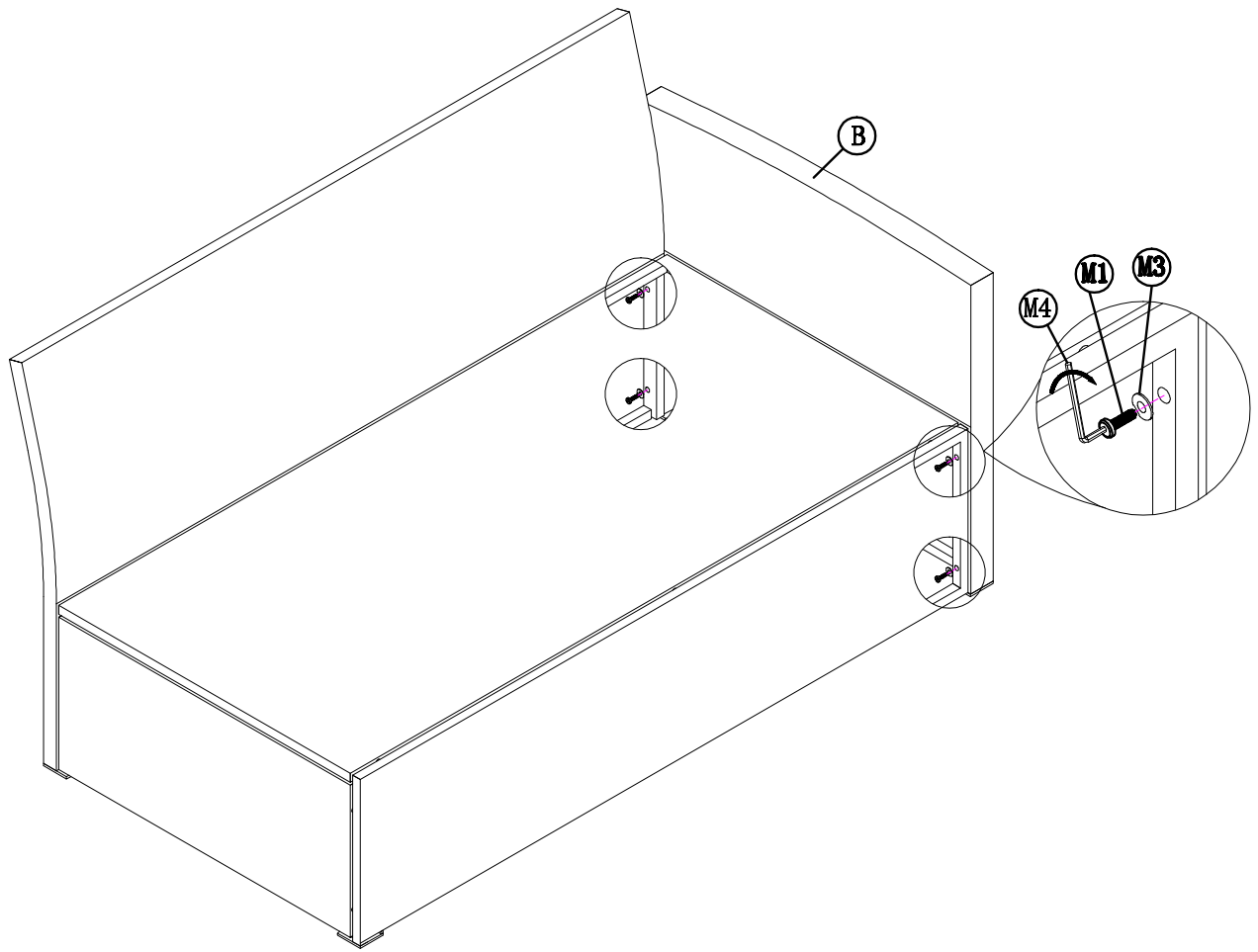
1



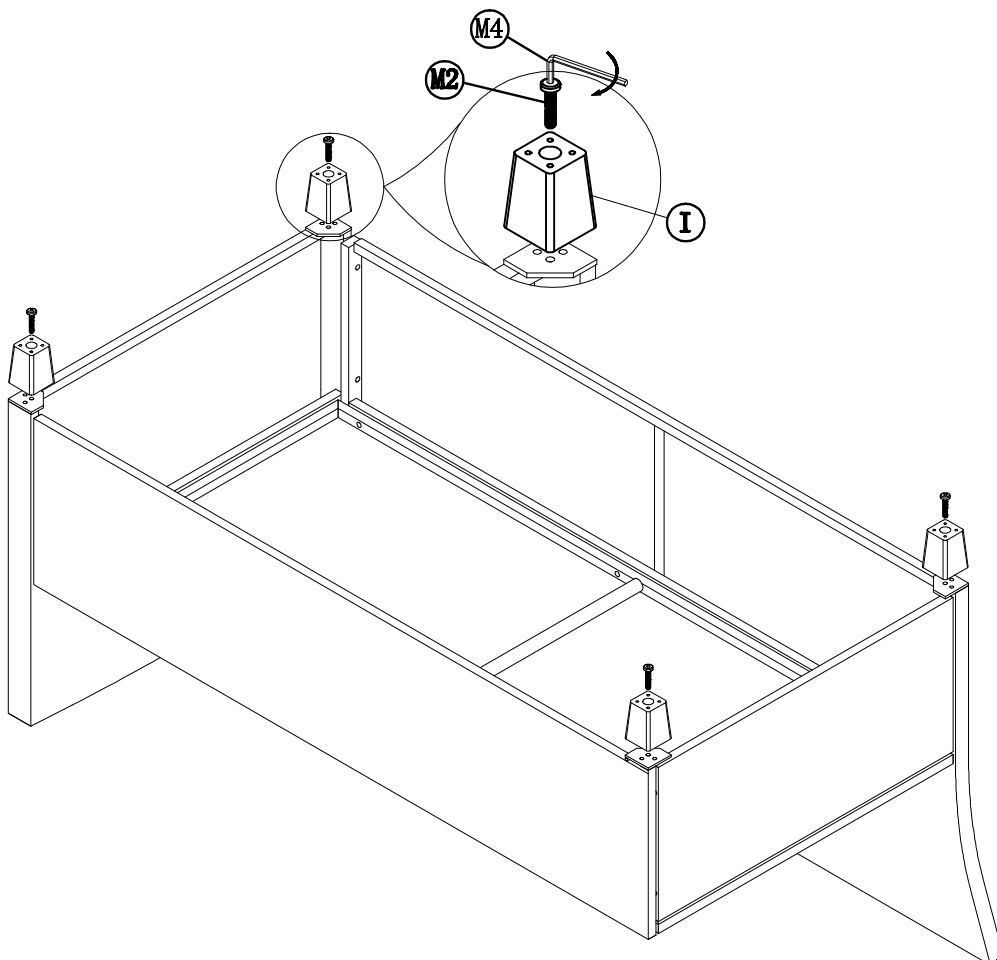
2



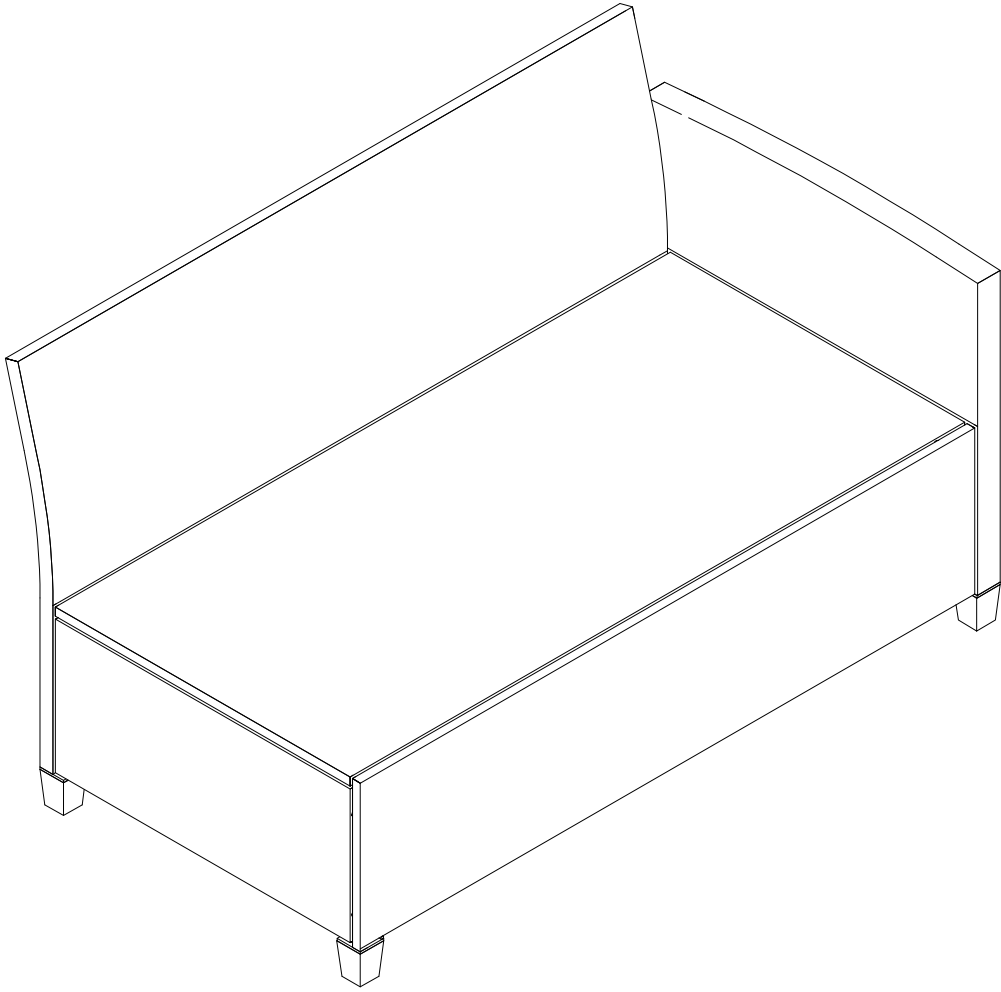
3



4

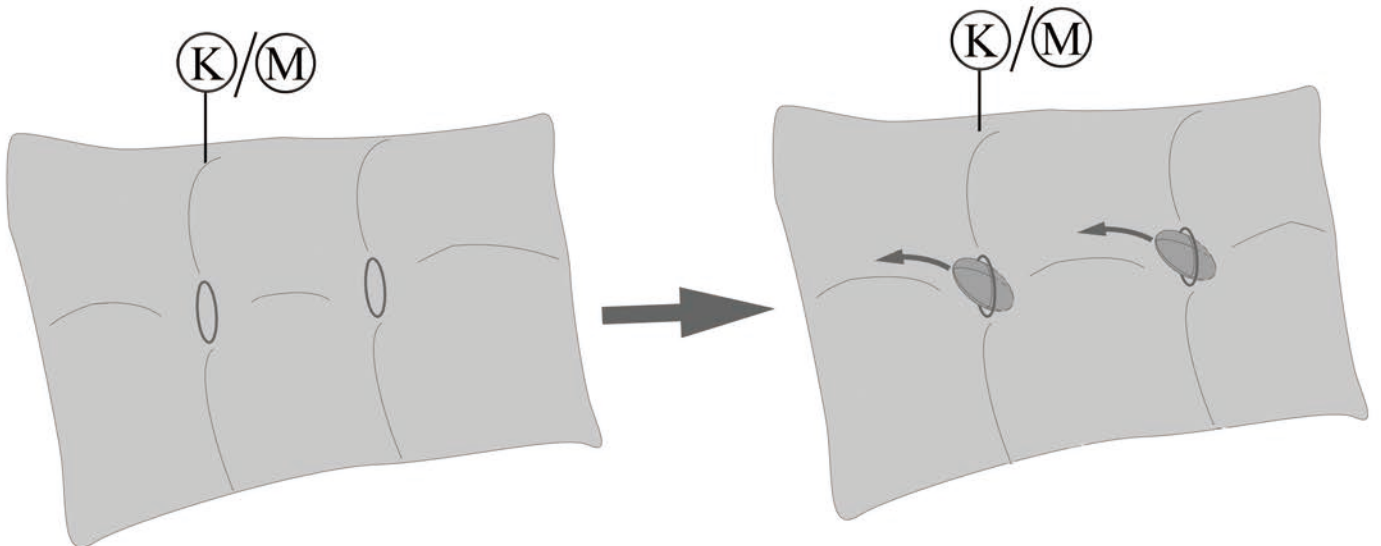
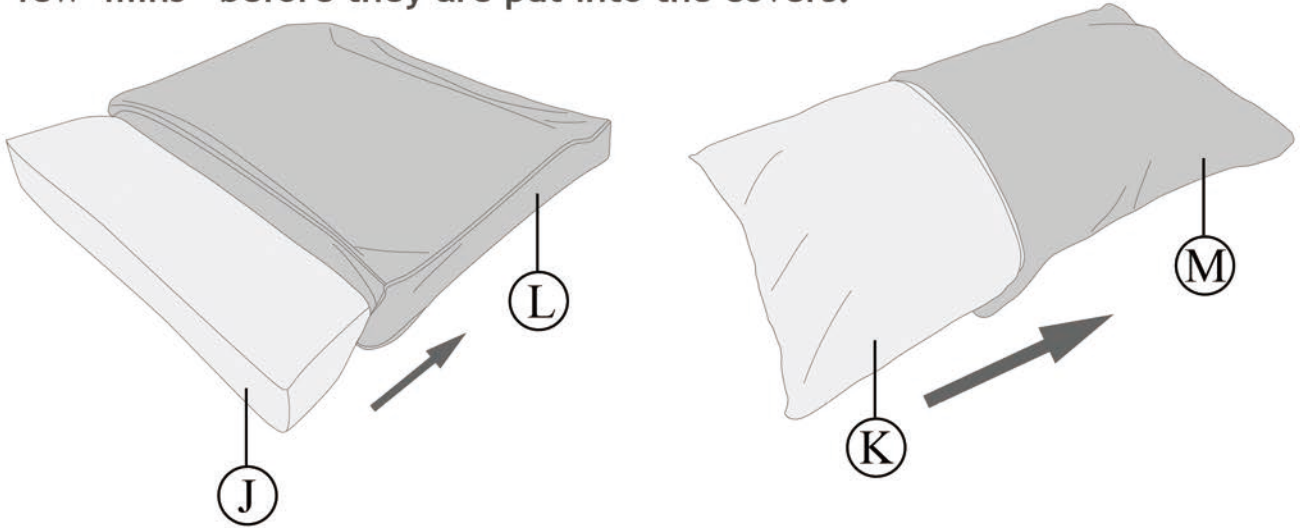


5



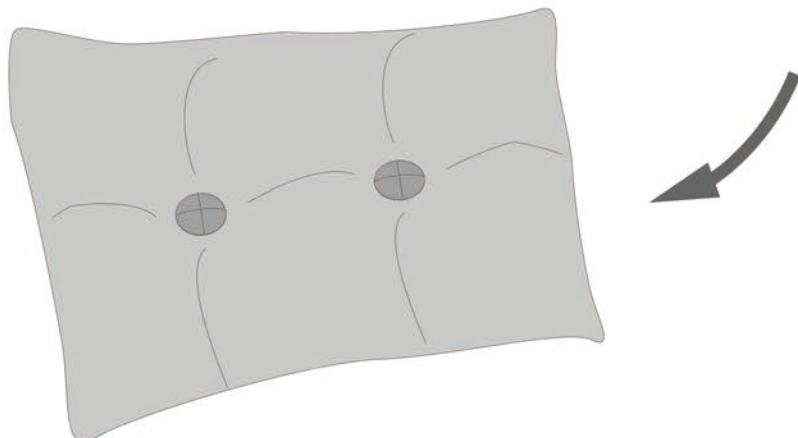
# The pillow and cushion assembly

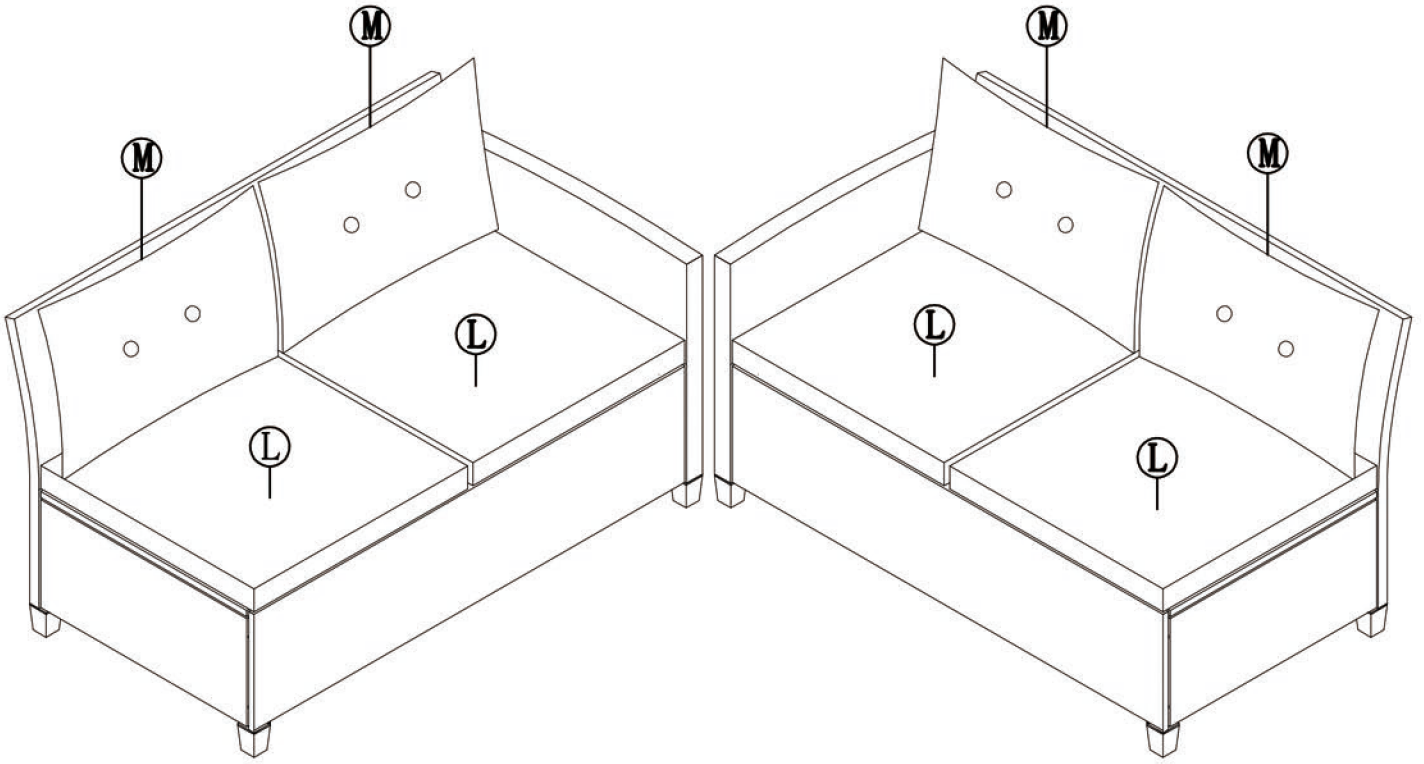
The compressed cushions will inflate with opening the packing within a few mins before they are put into the covers.



1. Put the pillow into the cover.

2. Pull the button out from the Buttonhole.



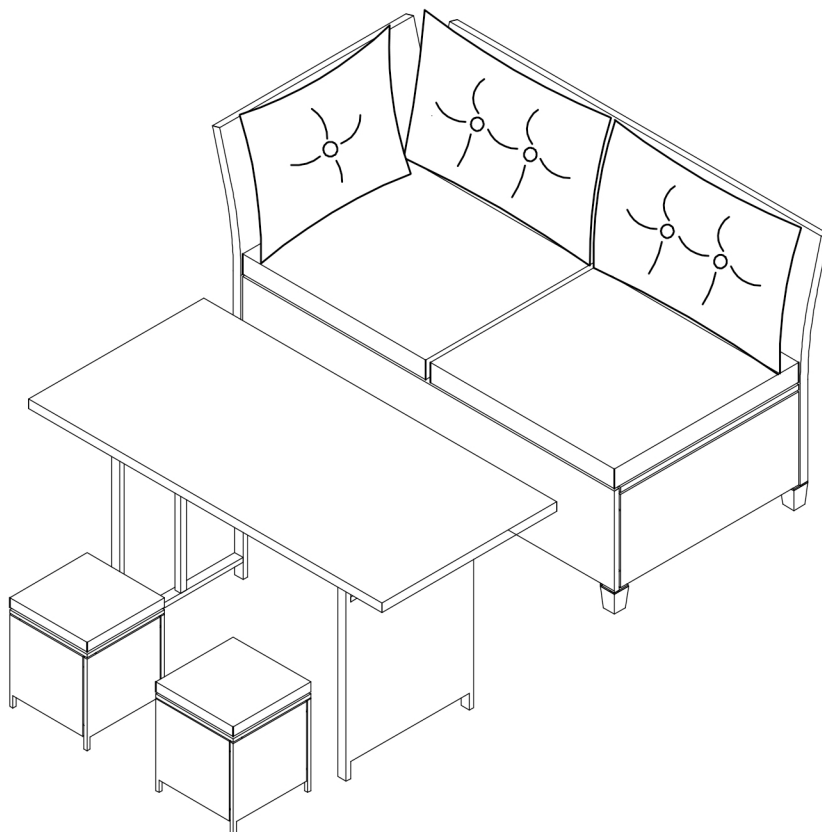


# **Rattan Wicker Sofa**

## **TXYD-032-02**

### **Original instruction manual**

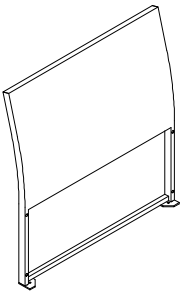
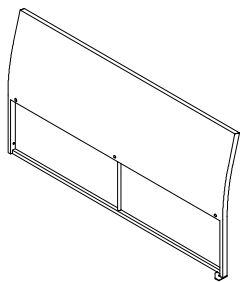
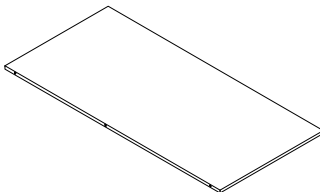
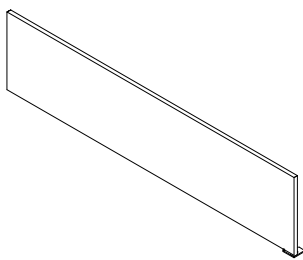
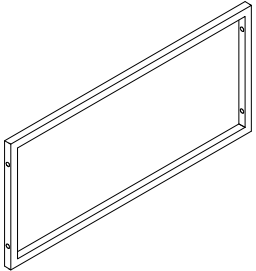
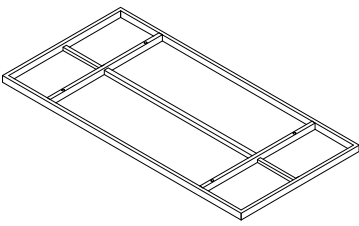
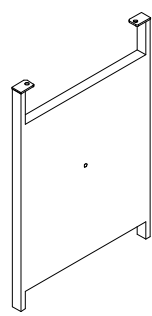
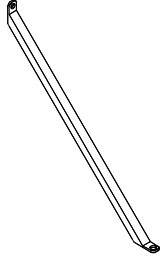
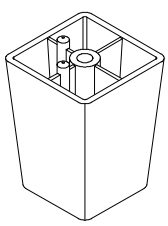
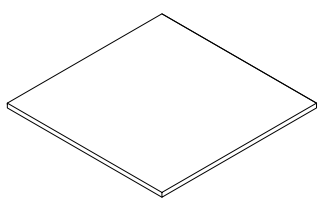
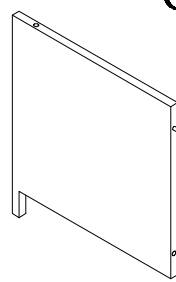
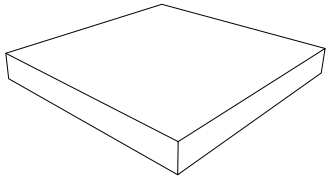
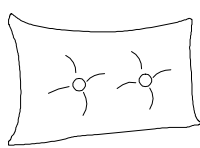
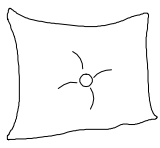
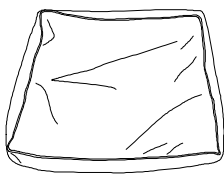
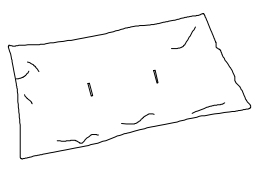
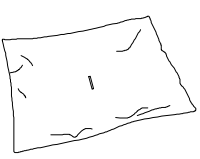
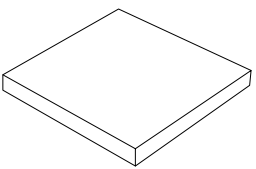

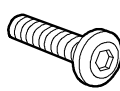
**Attention: The box includes a double sofa, one table and two footstools!**



**Dear customer,**

**Thank you for choosing our product. please read this manual carefully before assembling or using the product, to avoid damage caused by improper use. If the product is passed on to third parties, this manual has to be passed on along with the product. For any question don't hesitate to contact us.**

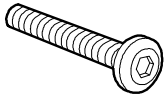
# Parts list 1

<p><b>A</b> 1x</p> 	<p><b>B</b> 1x</p> 	<p><b>C</b> 1x</p> 	<p><b>D</b> 1x</p> 
<p><b>E</b> 1x</p> 	<p><b>F</b> 1x</p> 	<p><b>G</b> 2x</p> 	<p><b>H</b> 2x</p> 
<p><b>I</b> 4x</p> 	<p><b>J</b> 2x</p> 	<p><b>K</b> 8x</p> 	<p><b>L</b> 2x</p>  24x24" Cushion
<p><b>M</b> 2x</p> 	<p><b>N</b> 1x</p> 	<p><b>O</b> 2x</p>  24x24" Cushion Cover	<p><b>P</b> 2x</p> 
<p><b>Q</b> 1x</p> 	<p><b>R</b> 2x</p>  15x15" Cushion	<p><b>S</b> 2x</p>  15x15" Cushion Cover	<p><b>M1</b> 30x</p>  <b>M6x32</b>

## Parts list 2

M2

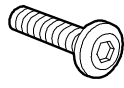
4x



M6x65

M3

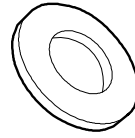
8x



M6x25

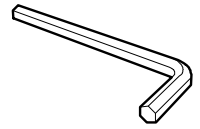
M4

38x



M5

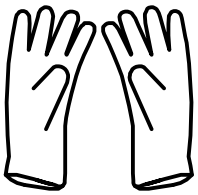
2x



SPANNER

M6

1x



**Glove**



Warning

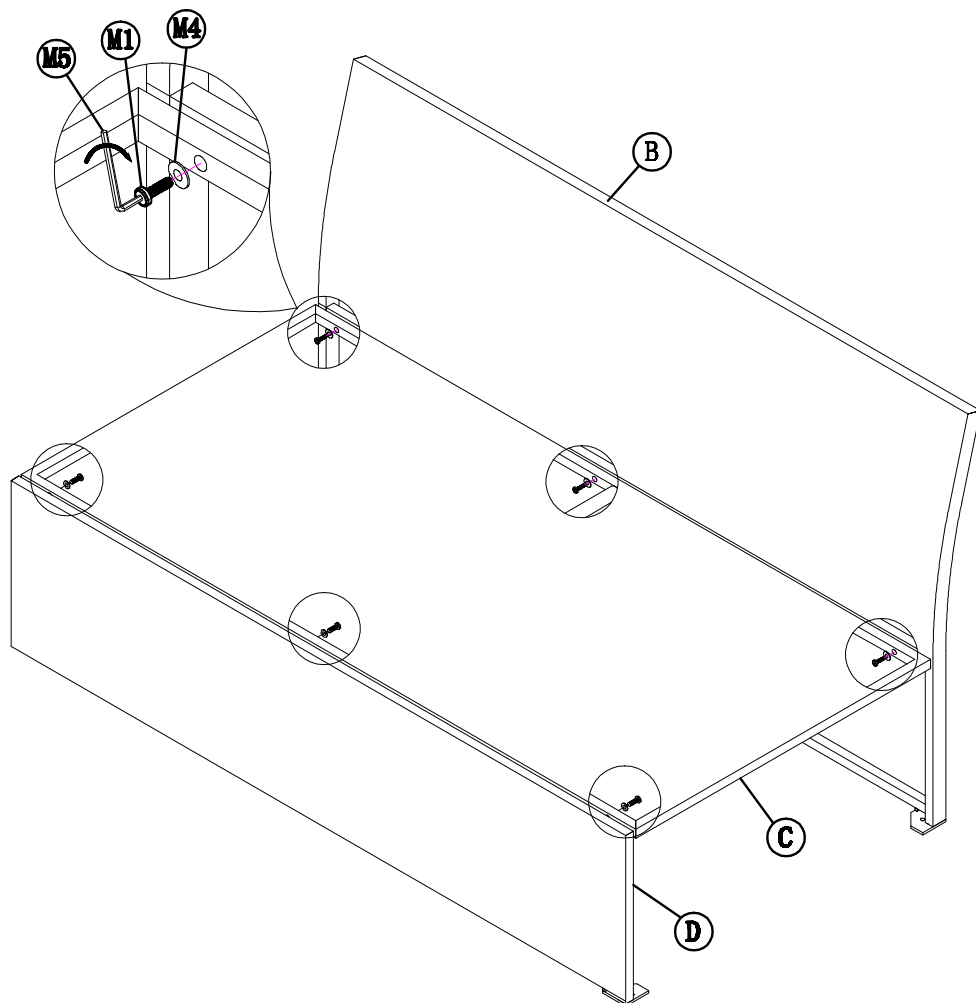


Please wear gloves before assembly.

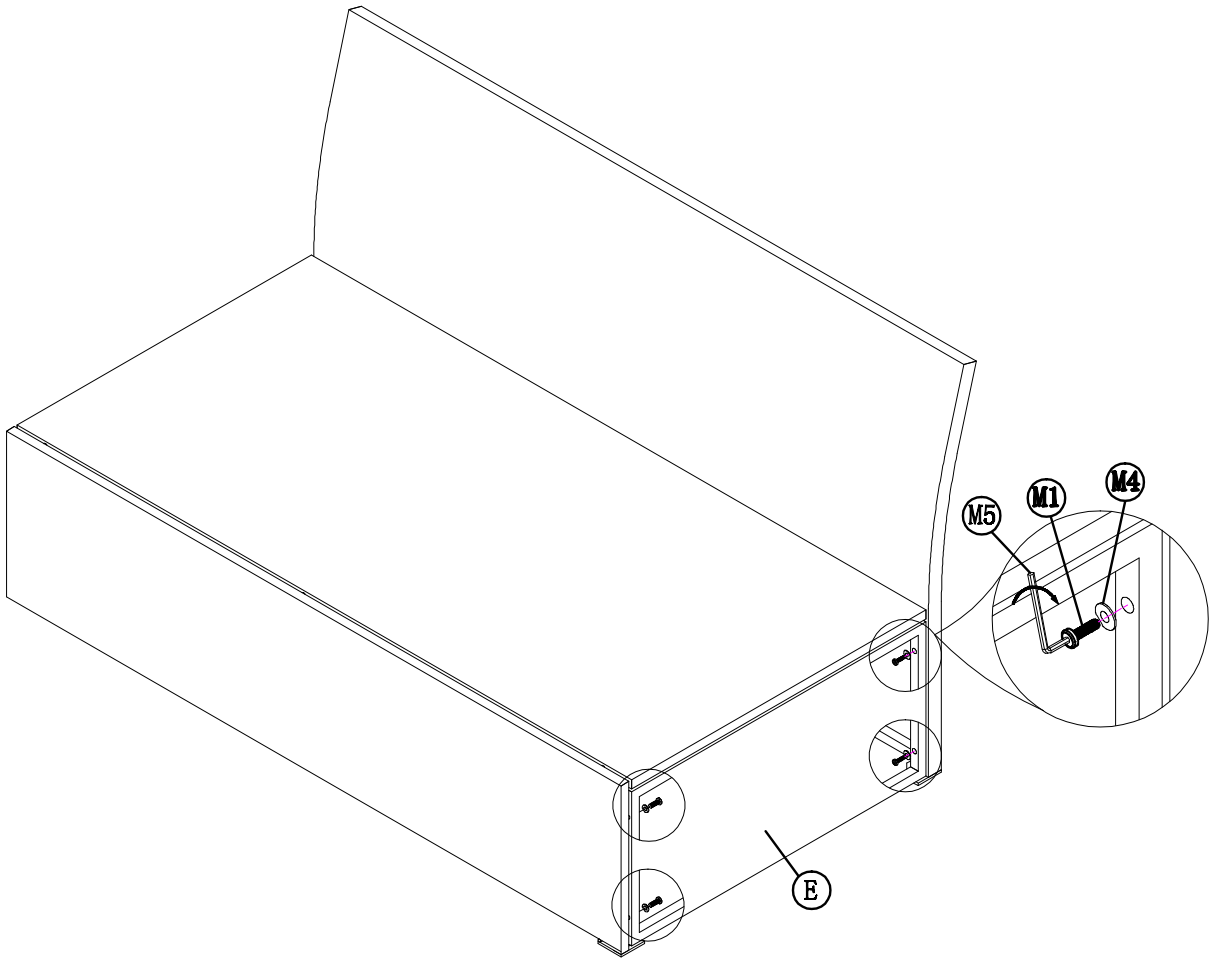
## sofa assembly

Do not tighten when assembling, tighten all parts after assembly.

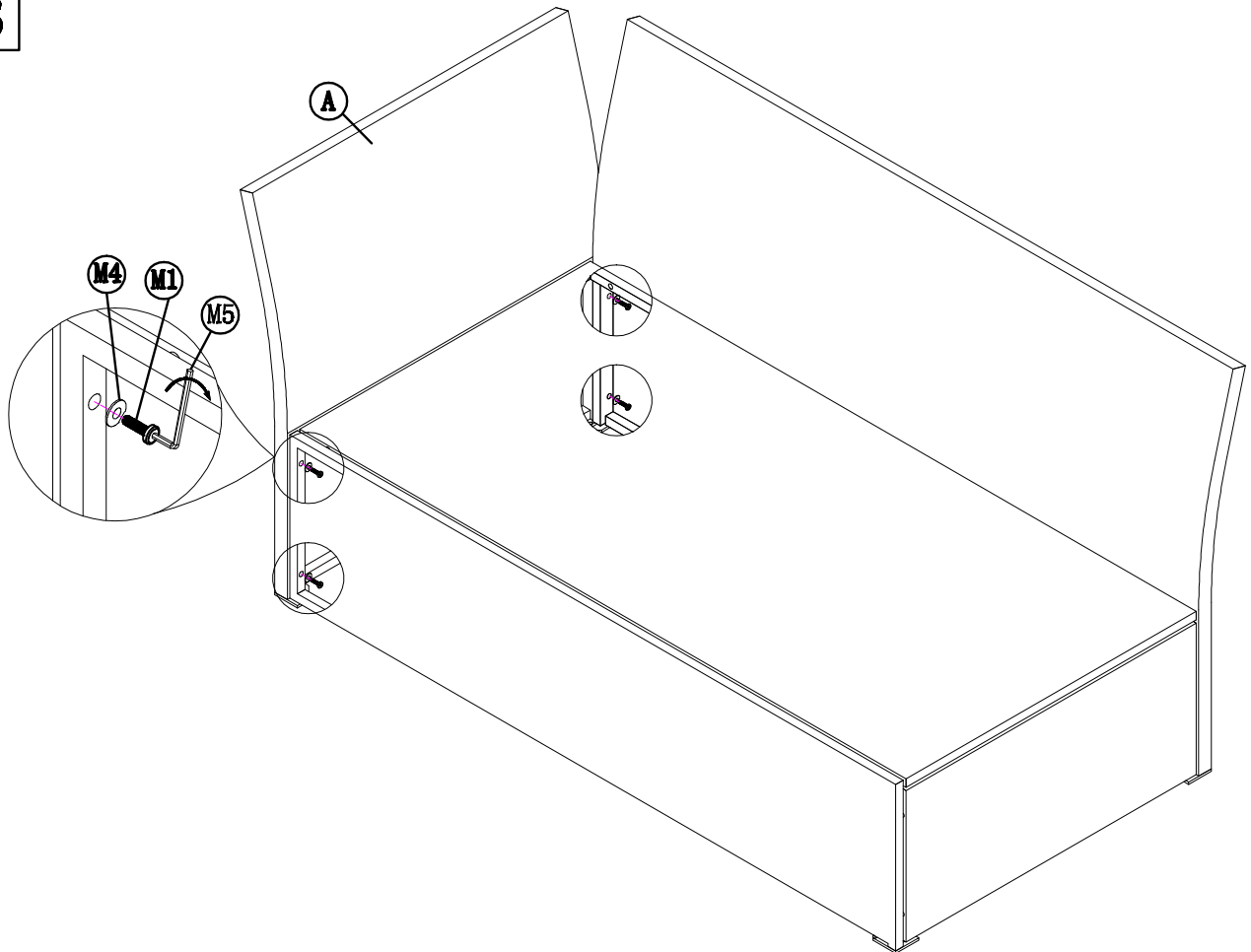
1



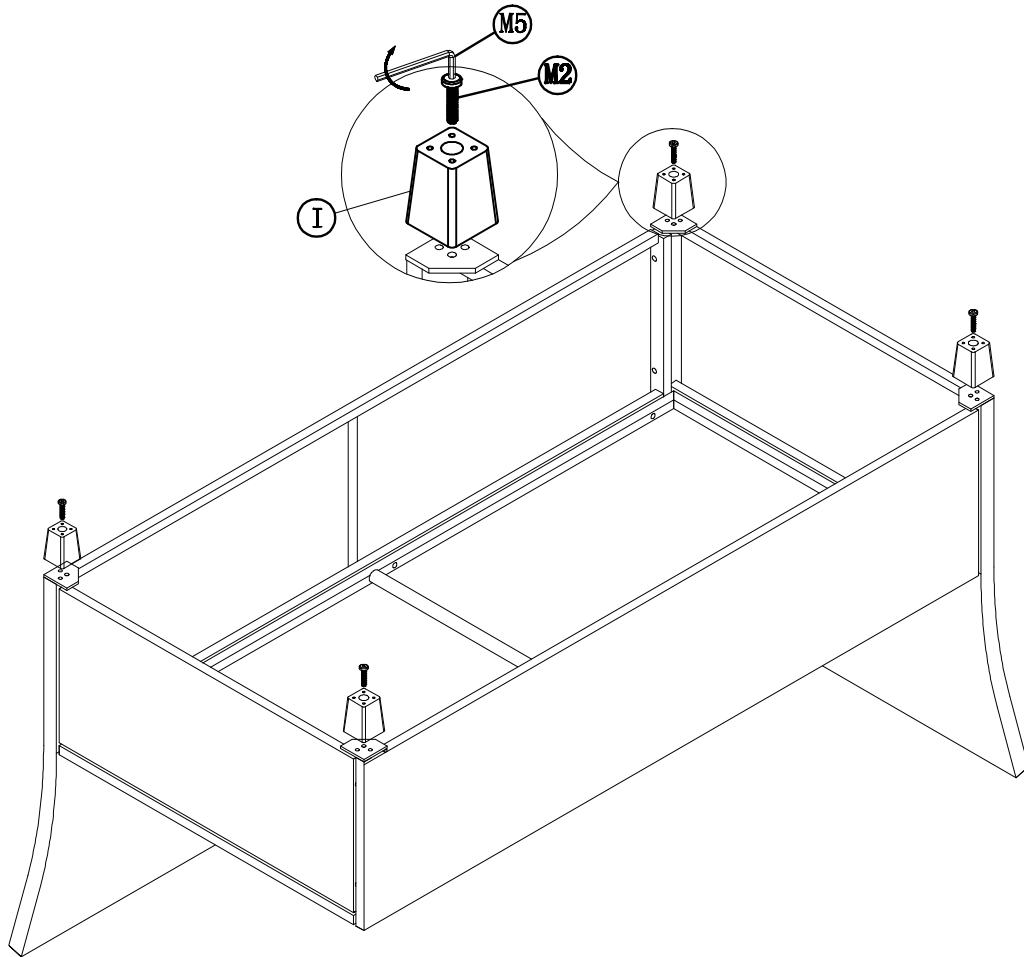
2



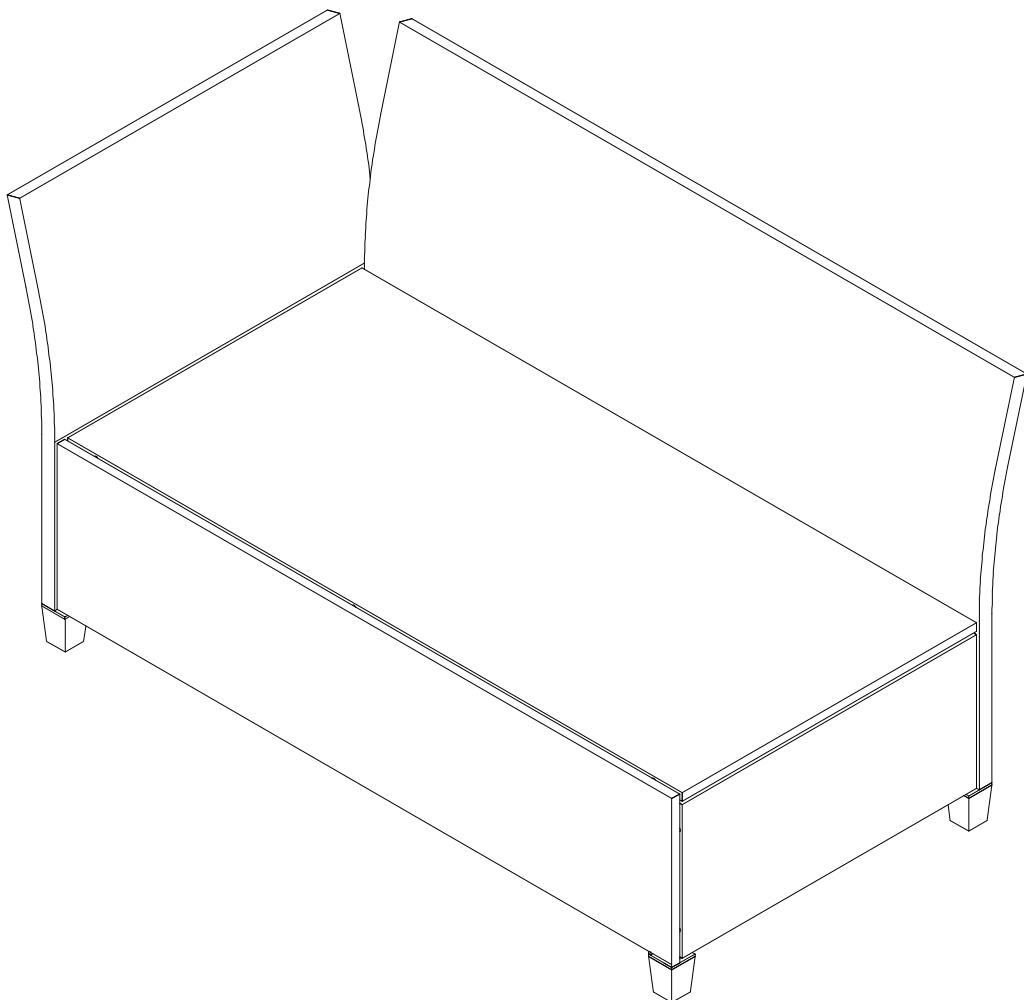
3



4



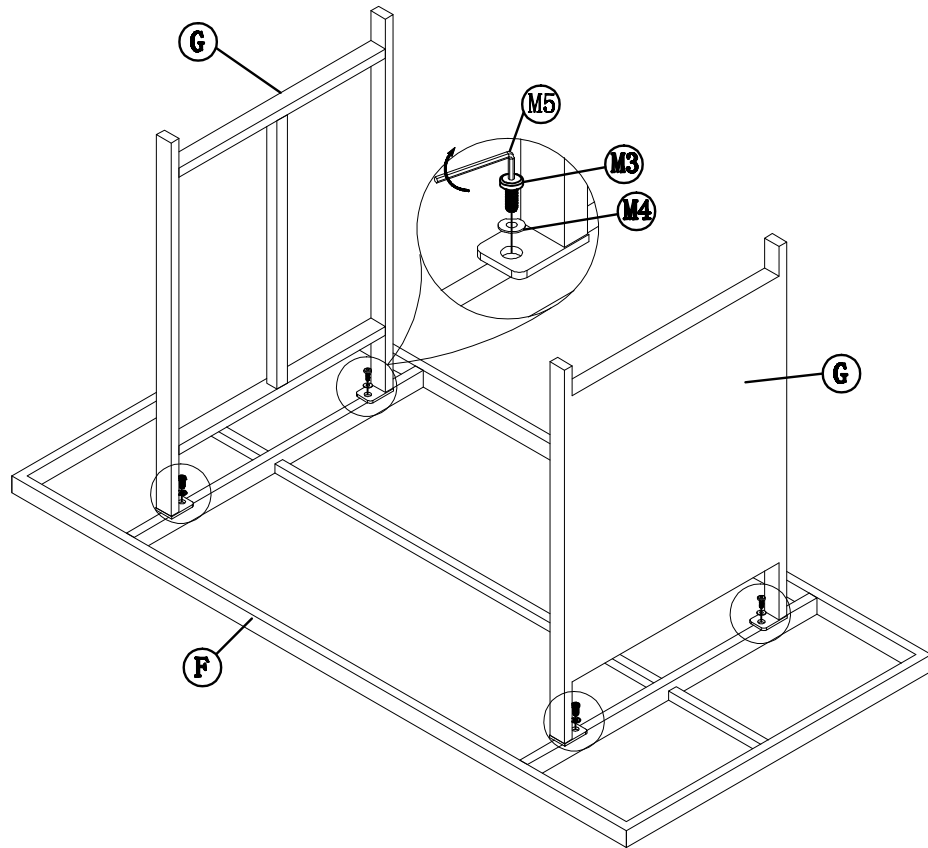
5



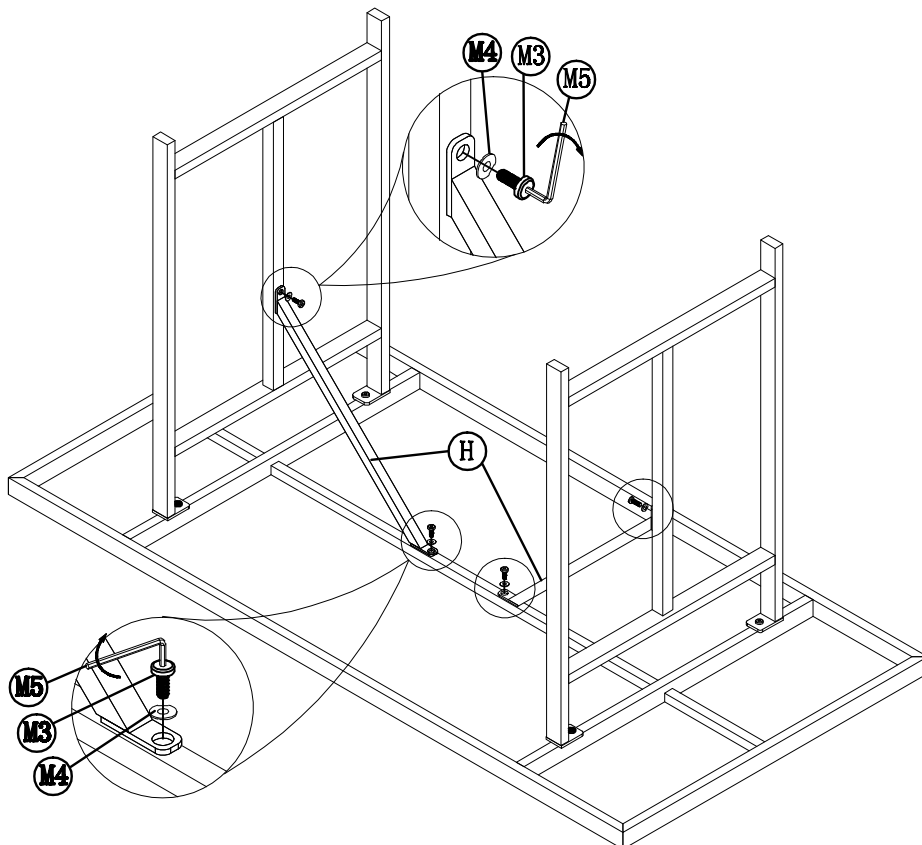
# Table assembly

Do not tighten when assembling, tighten all parts after assembly.

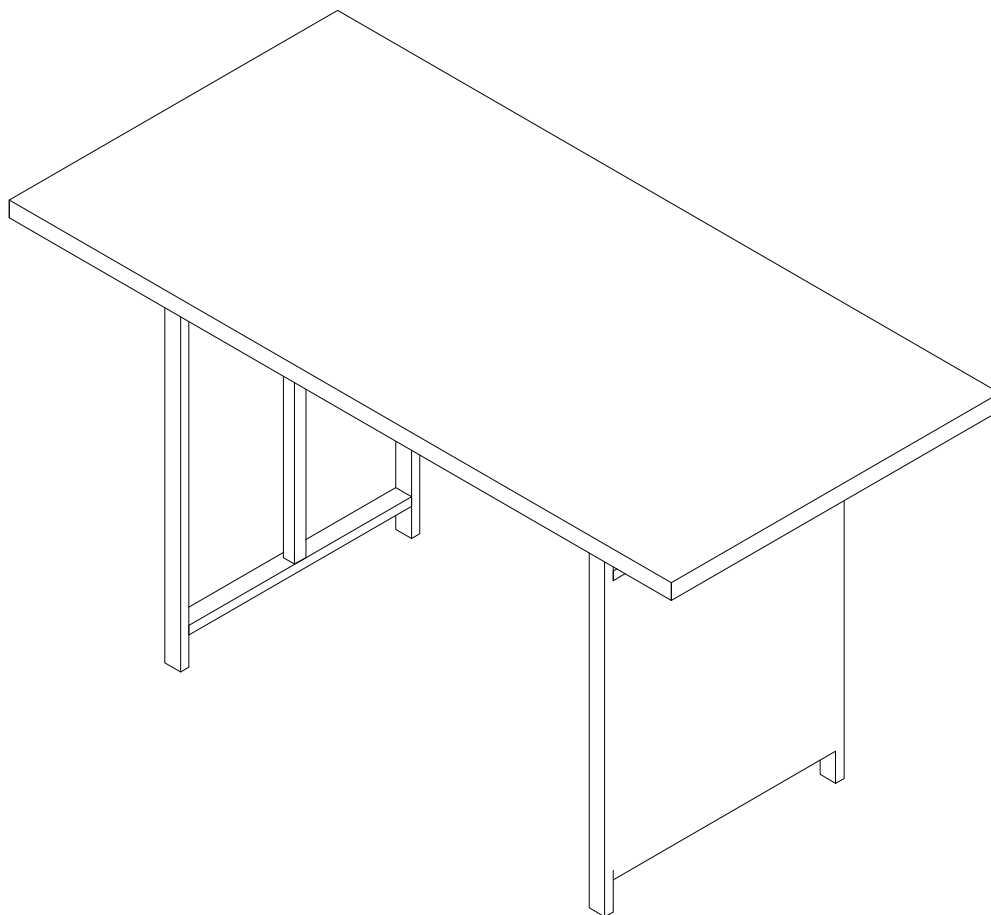
1



2



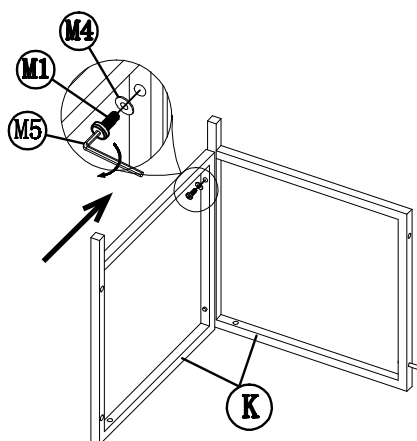
3



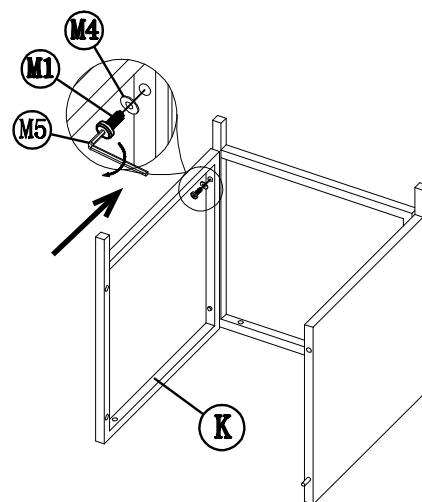
## Footstool assembly

**Do not tighten when assembling, tighten all parts after assembly.**

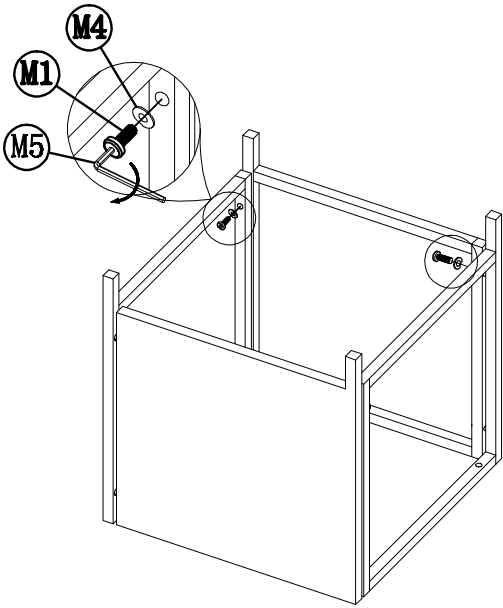
1



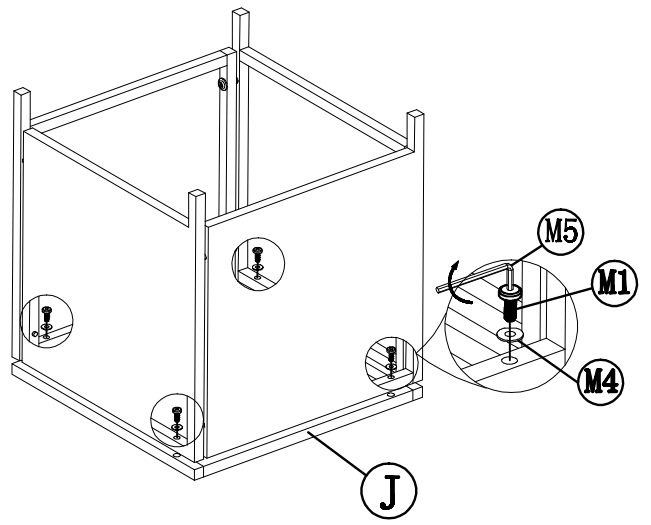
2



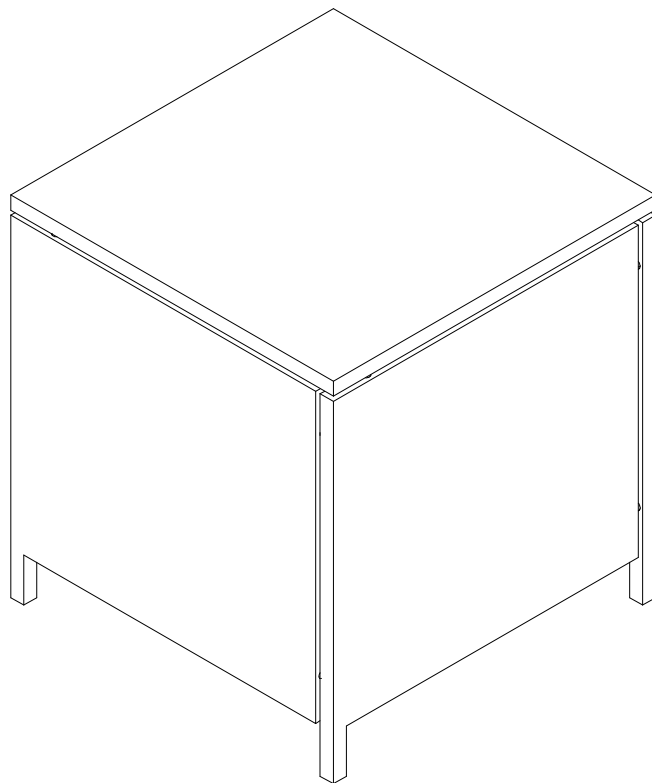
3



4

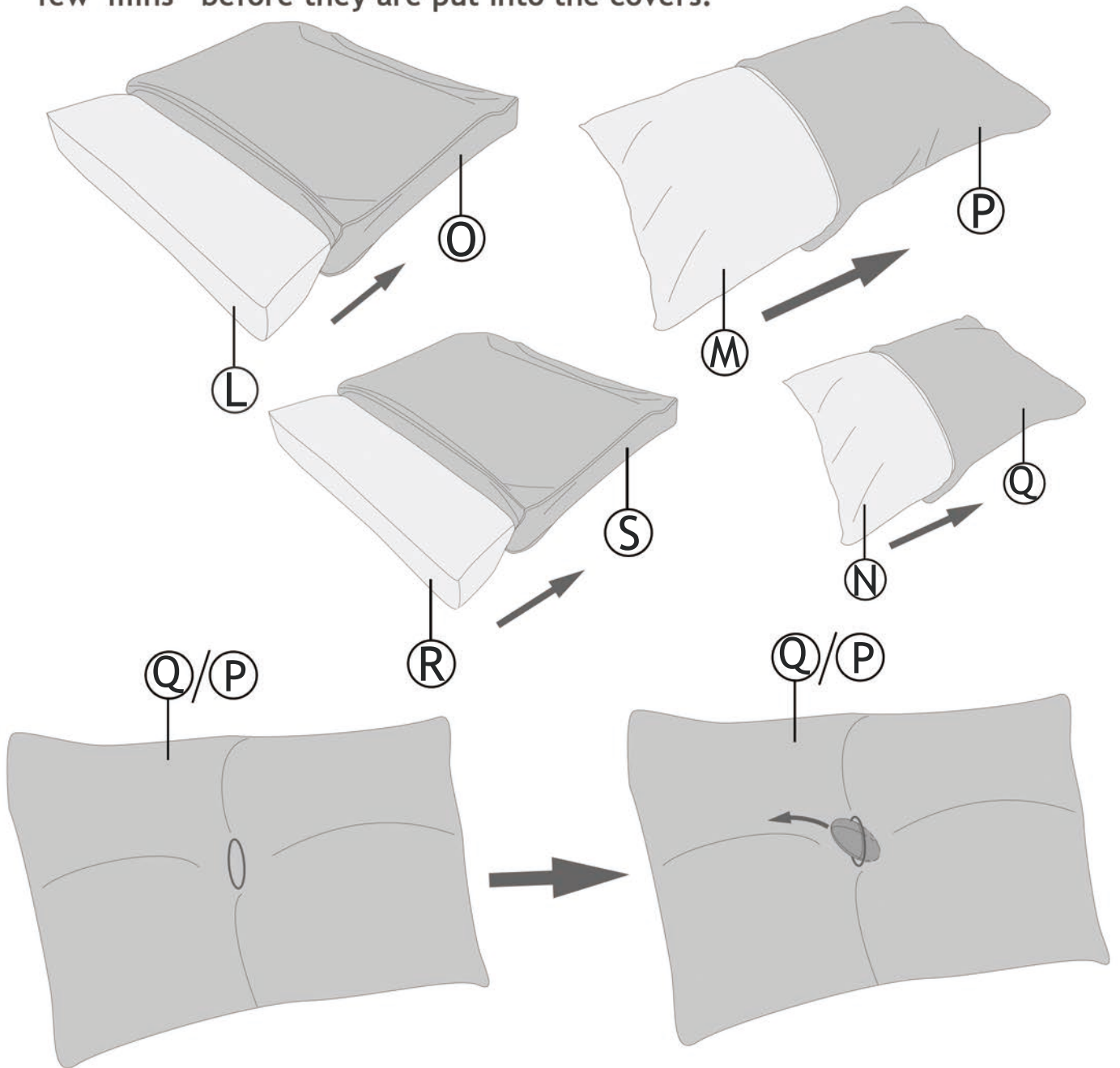


5



# The pillow and cushion assembly

The compressed cushions will inflate with opening the packing within a few mins before they are put into the covers.



1. Put the pillow into the cover.

2. Pull the button out from the Buttonhole.

