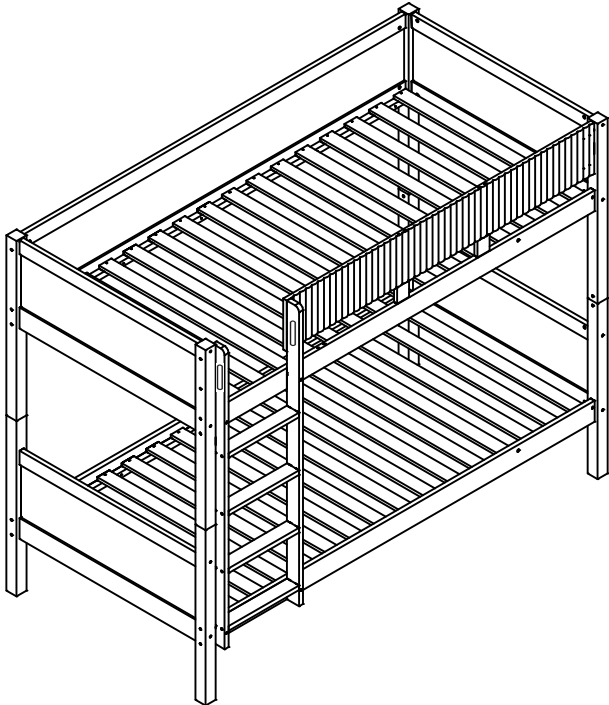
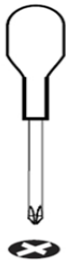


IMPORTANT! KEEP FOR FUTURE REFERENCE

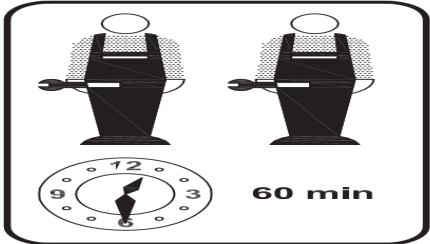
MATEO BUNK BED Assembly Instructions



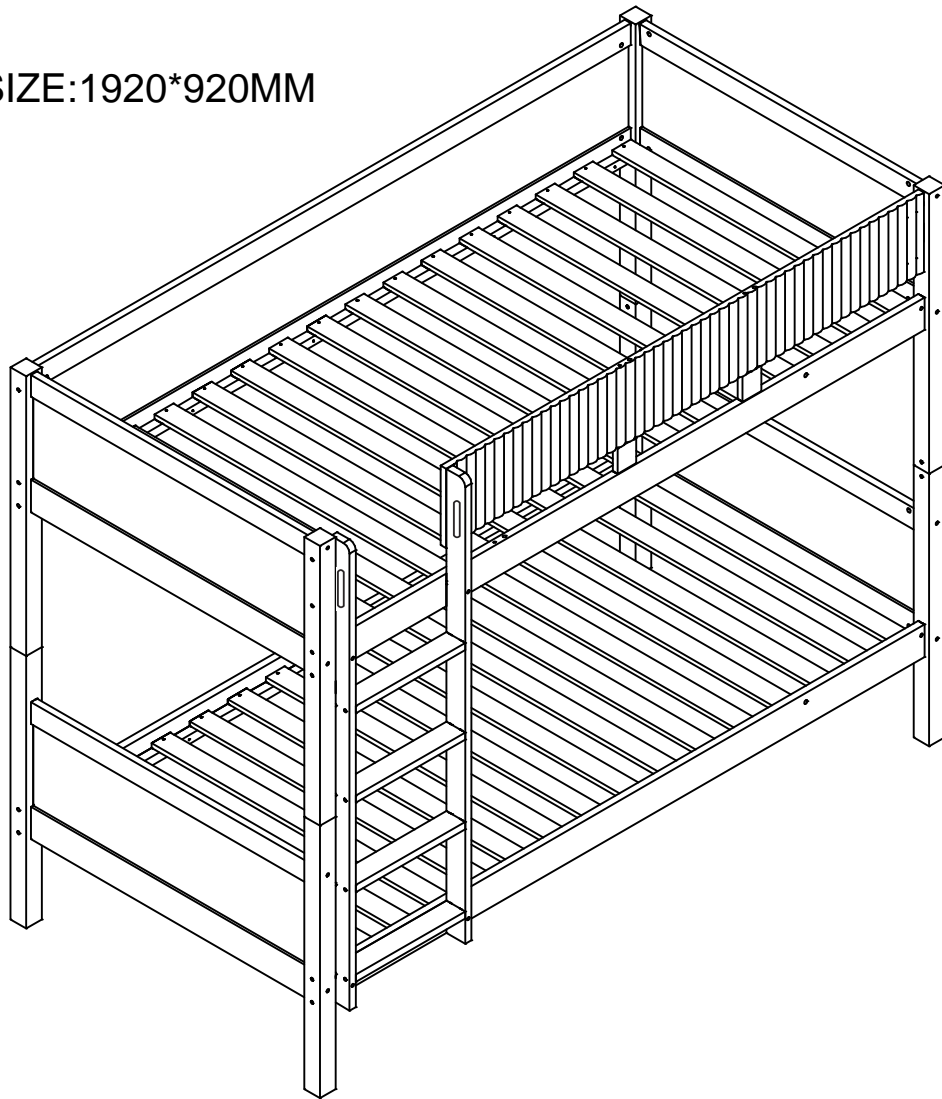
Tools required (Not Provided)



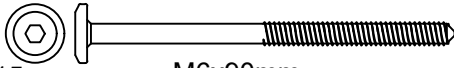

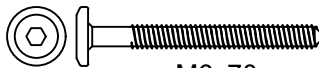
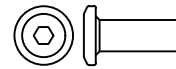

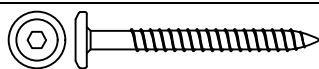
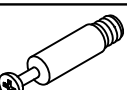

2 Person assembly
recommend



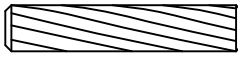



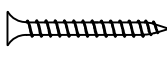



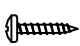



INNER SIZE:1920*920MM



HARDWARE

A	 15mm M6x90mm	36
B		36
D	 15mm M6x70mm	04
E	 15mm M8x20mm	04
F	 10mm Ø7x60mm	16
G	 15mm Ø6x60mm	02
H		04
I		04

J		01
K	 12mm  Ø12x80mm	04
L	 8mm  Ø8x30mm	39
M	 8mm  Ø4x30mm	72
N		02
O	 Ø12mm	10
P	 8mm  Ø3x16mm	02
R	 Ø20mm	05

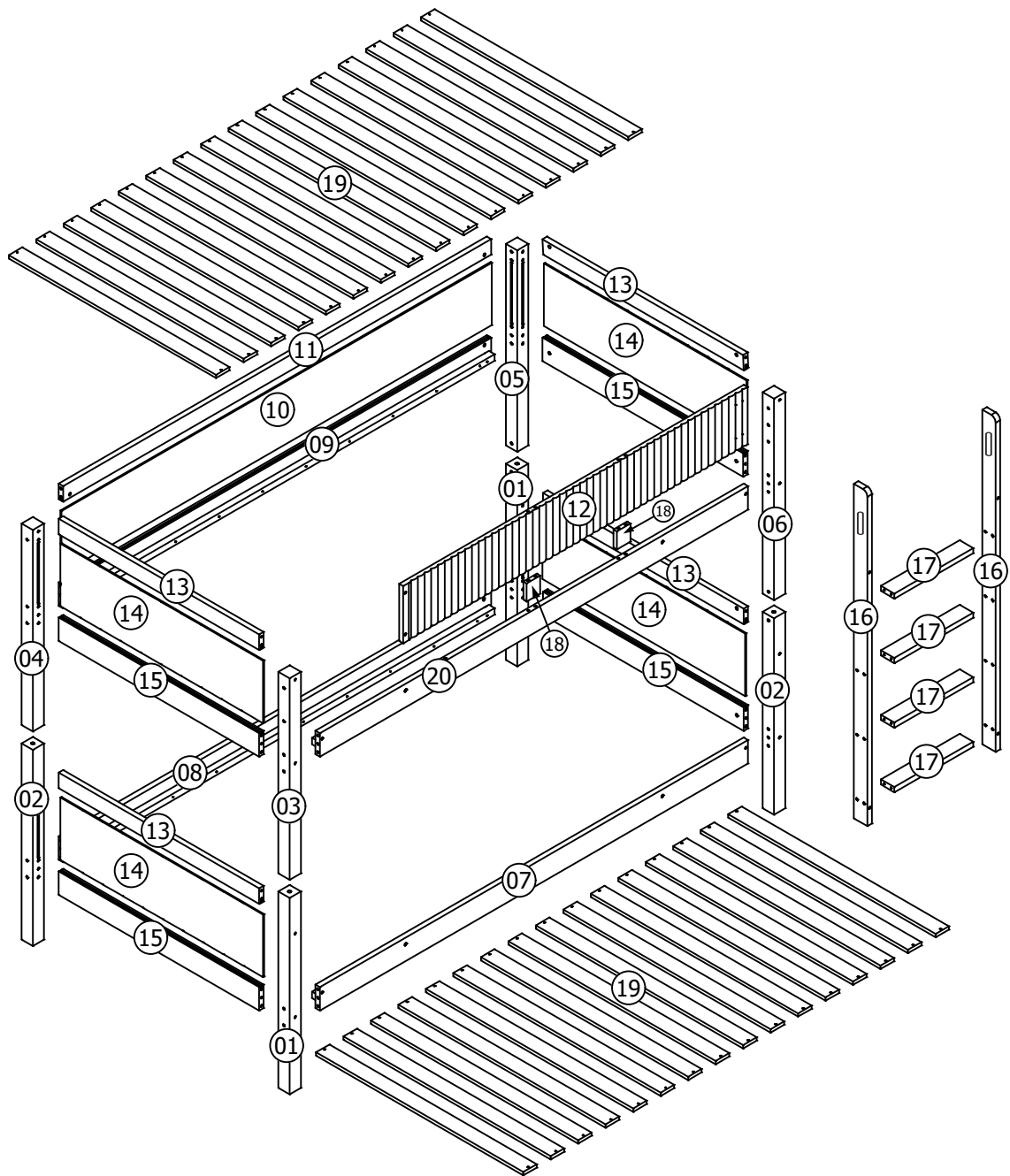
PART LIST

MATEO BUNK BED

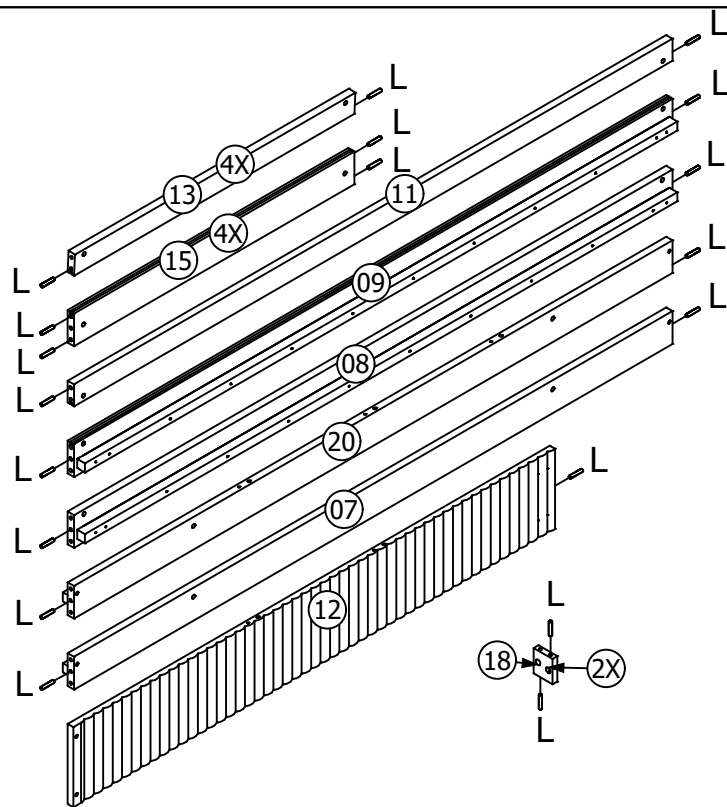
● Carton 1 of 2

● Carton 2 of 2

No.	Part Name	Pcs	No.	Part Name	Pcs
7	LOWER SIDE RAIL - LONG	1	1	LOWER BED POST	2
8	LOWER SIDE RAIL - LONG	1	2	LOWER BED POST	2
9	UPPER SIDE RAIL - LONG	1	3	UPPER BED POST - FRONT LEFT	1
10	GUARD PANEL - LONG	1	4	UPPER BED POST - BACK LEFT	1
11	GUARD RAIL	1	5	UPPER BED POST - BACK RIGHT	1
12	GUARD PANEL - SHORT	1	6	UPPER BED POST - FRONT RIGHT	1
13	UPPER SIDE RAIL - SHORT	4	14	HEADBOARD PANEL	4
15	LOWER SIDE RAIL - SHORT	4	19	SLATS (16 PCS/ SET)	2
16	LADDER POST	2		FITTING	1
17	LADDER STEP	4			
18	SIDE RAIL SUPPORT PANEL	2			
20	UPPER SIDE RAIL - LONG	1			

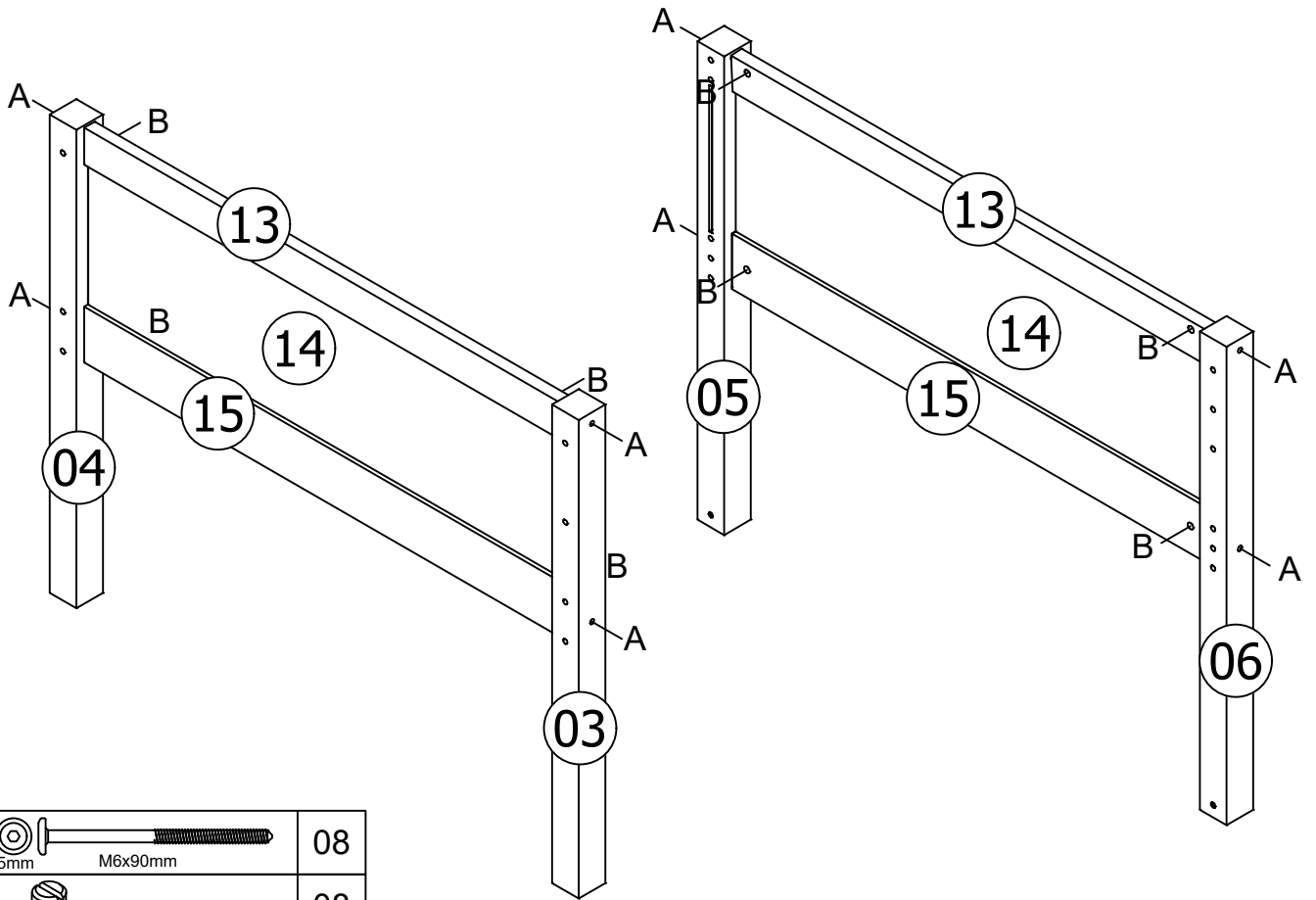




01



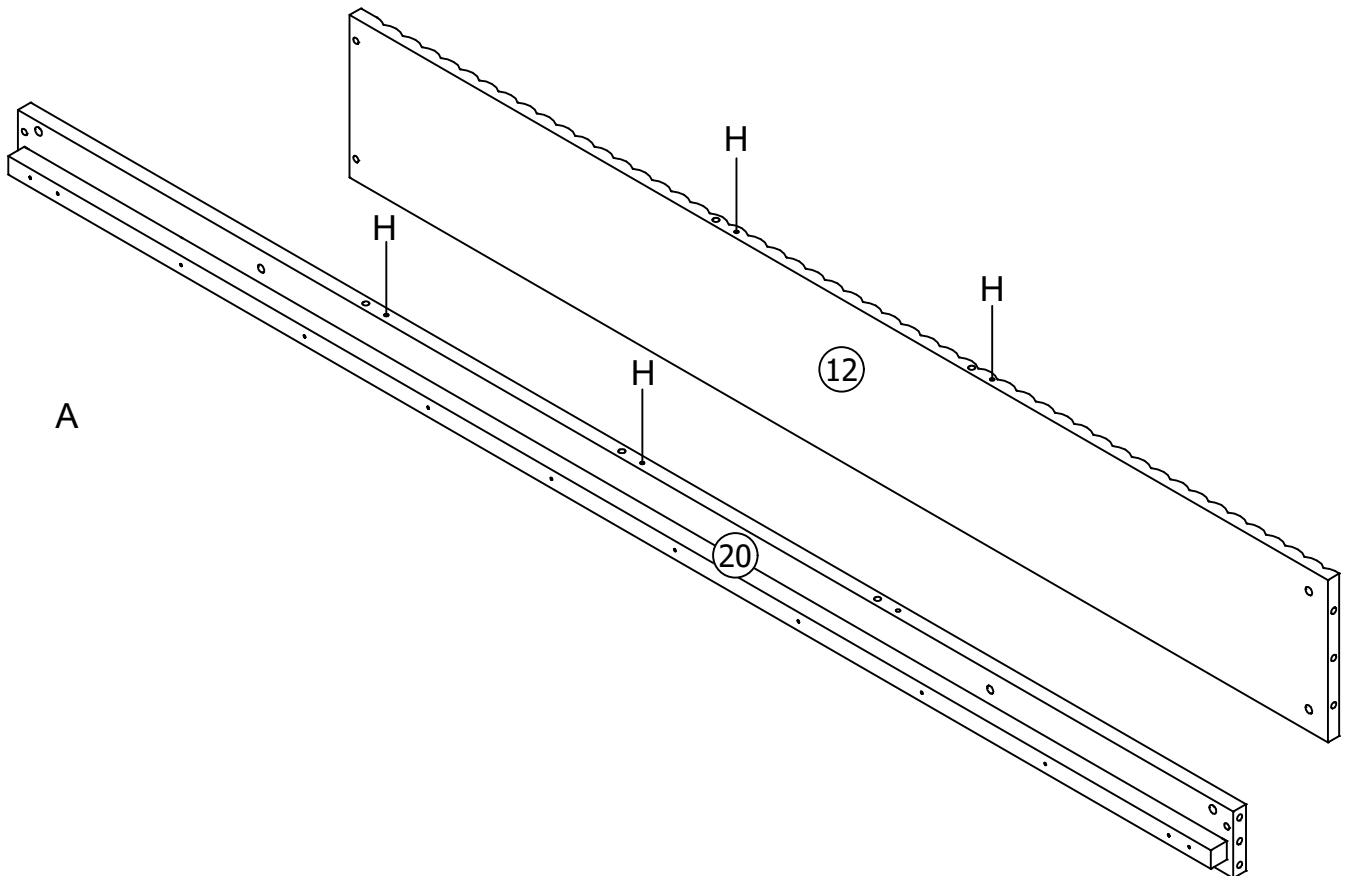
L	8mm	Ø8x30mm	39
---	-----	---------	----

02



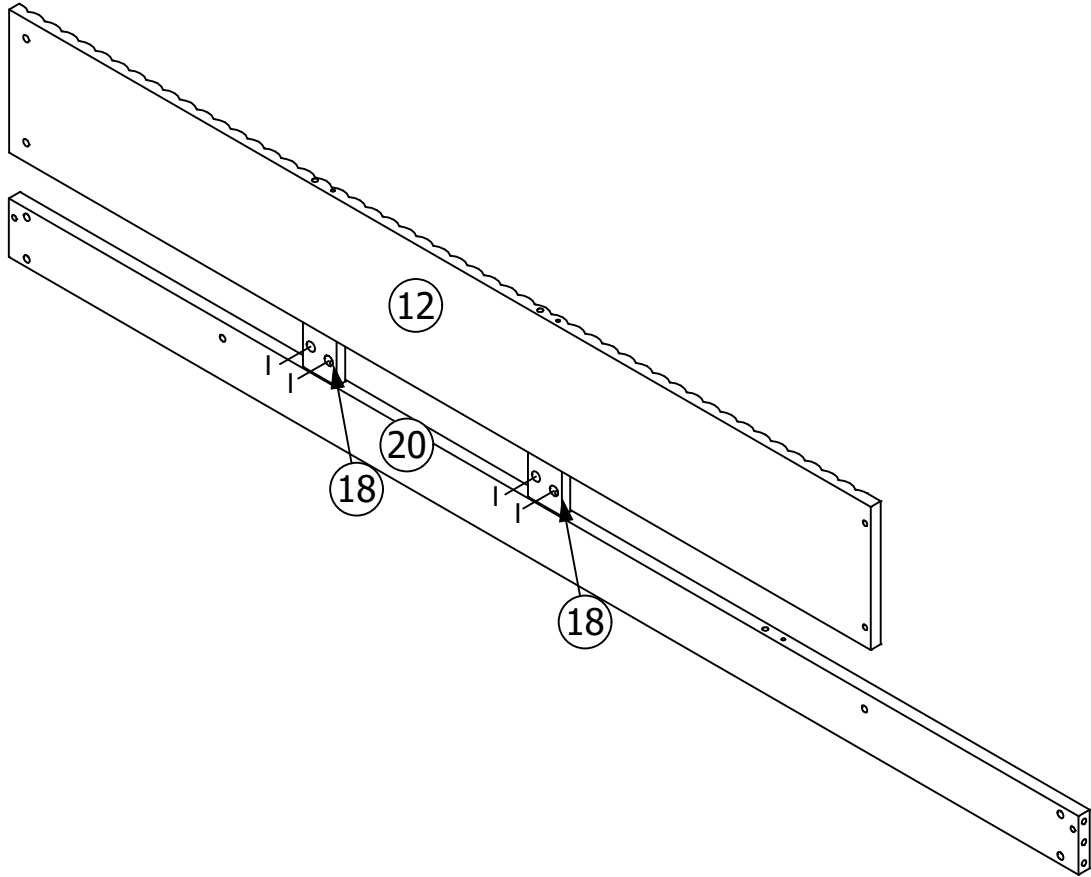
A	 15mm M6x90mm	08
B		08

03



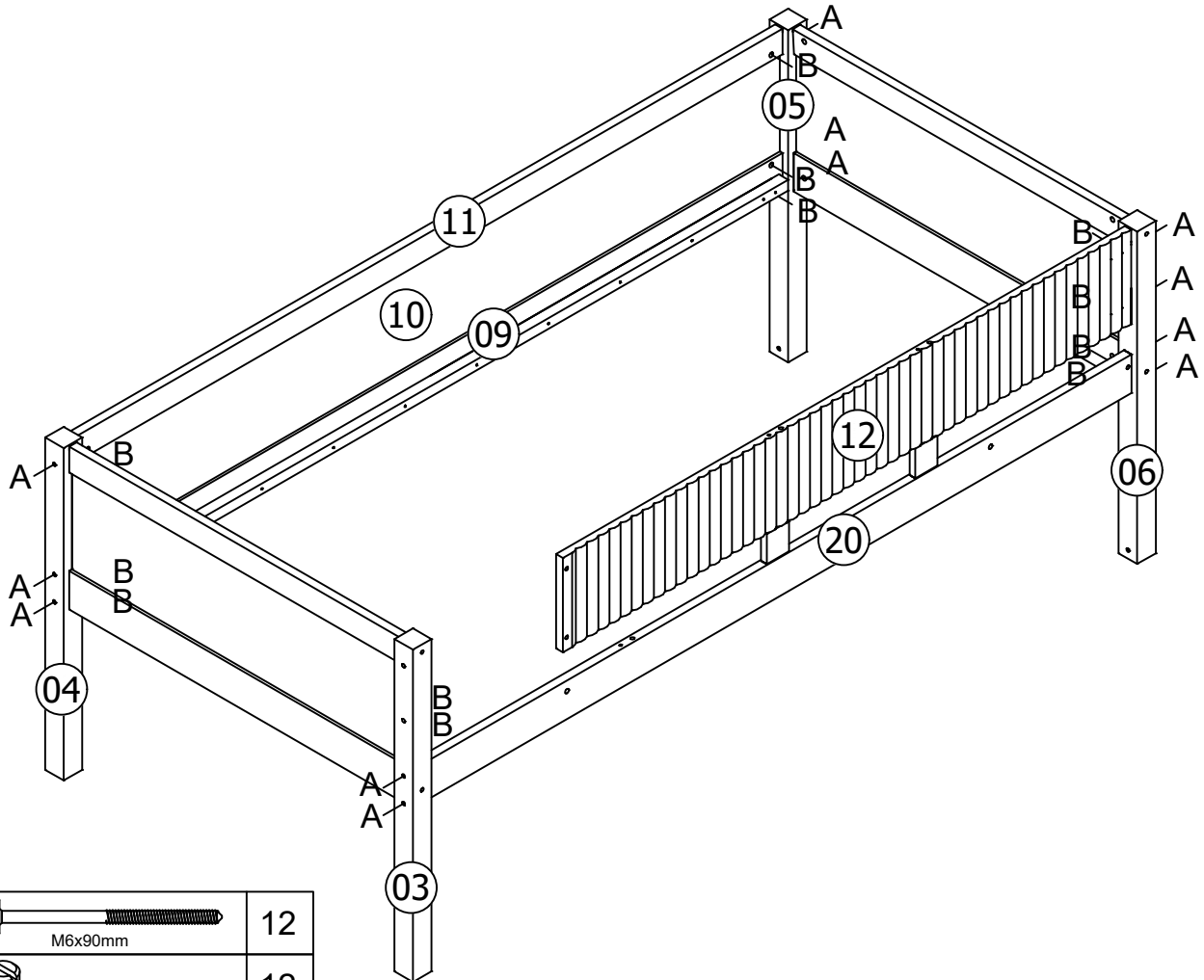
H		04
---	---	----



04



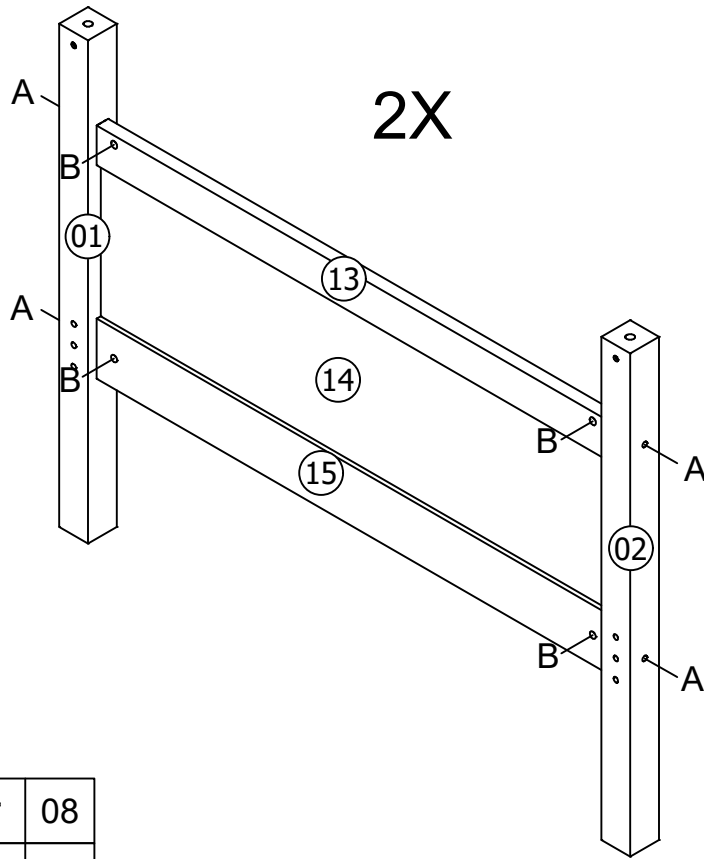
I		04
---	---	----



05



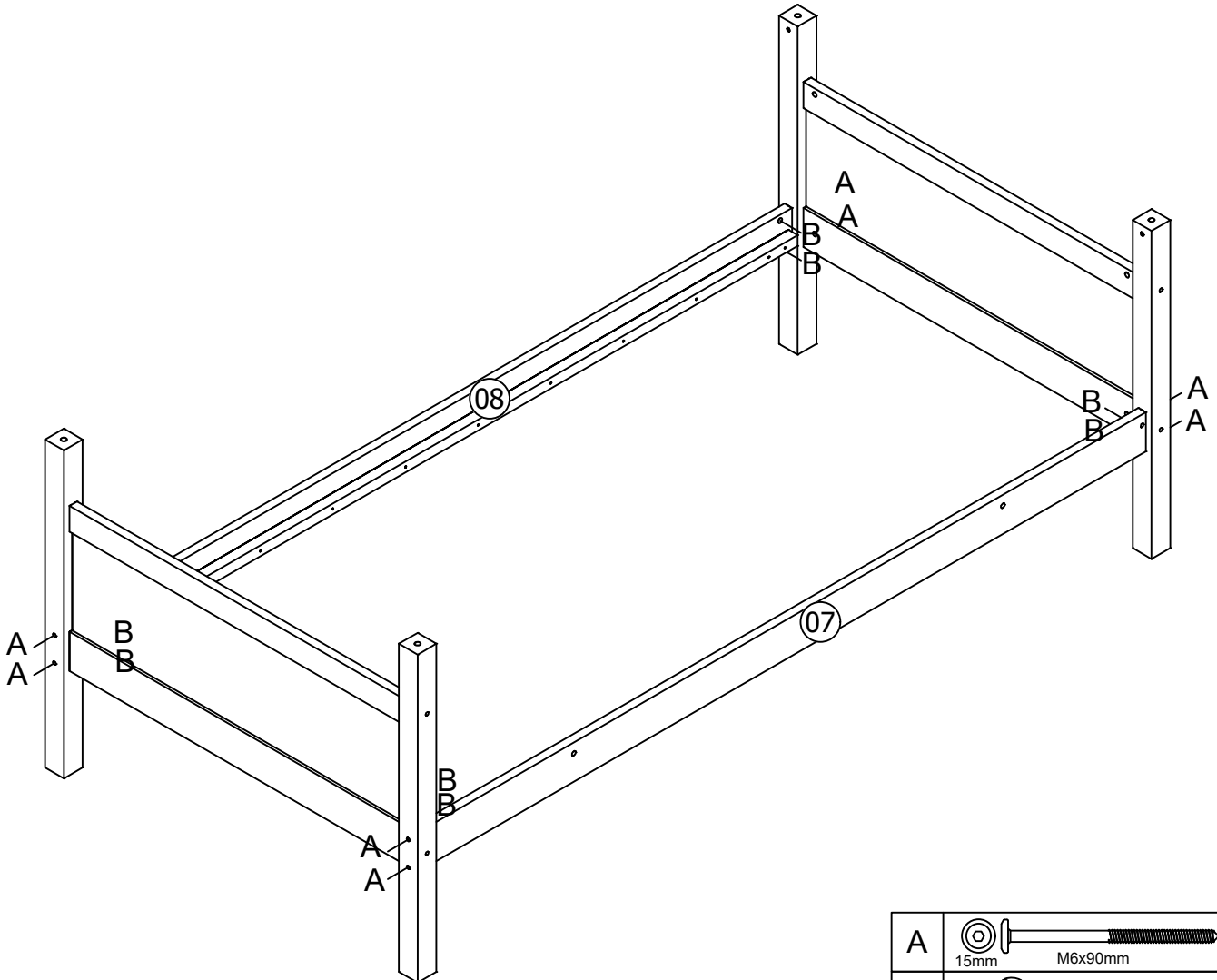
A		12
B		12



06



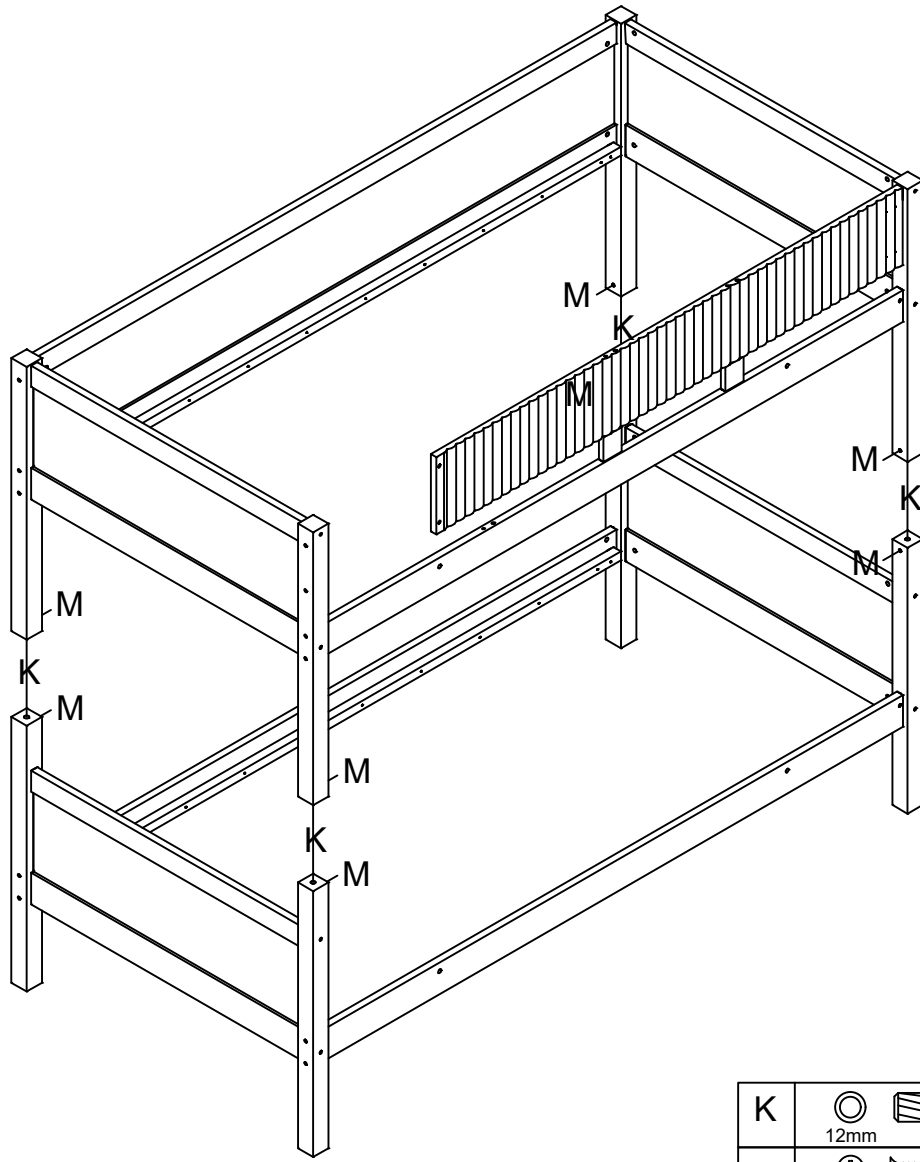
A	 15mm M6x90mm	08
B		08




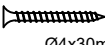
07



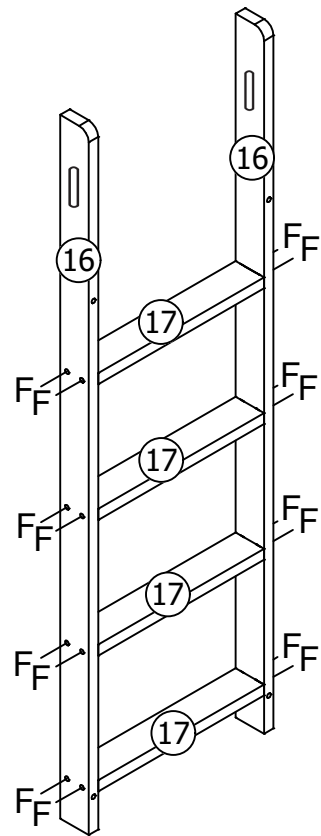
A	 15mm M6x90mm	08
B		08


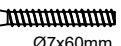
08



K	 12mm	 Ø12x80mm	04
M	 8mm	 Ø4x30mm	08

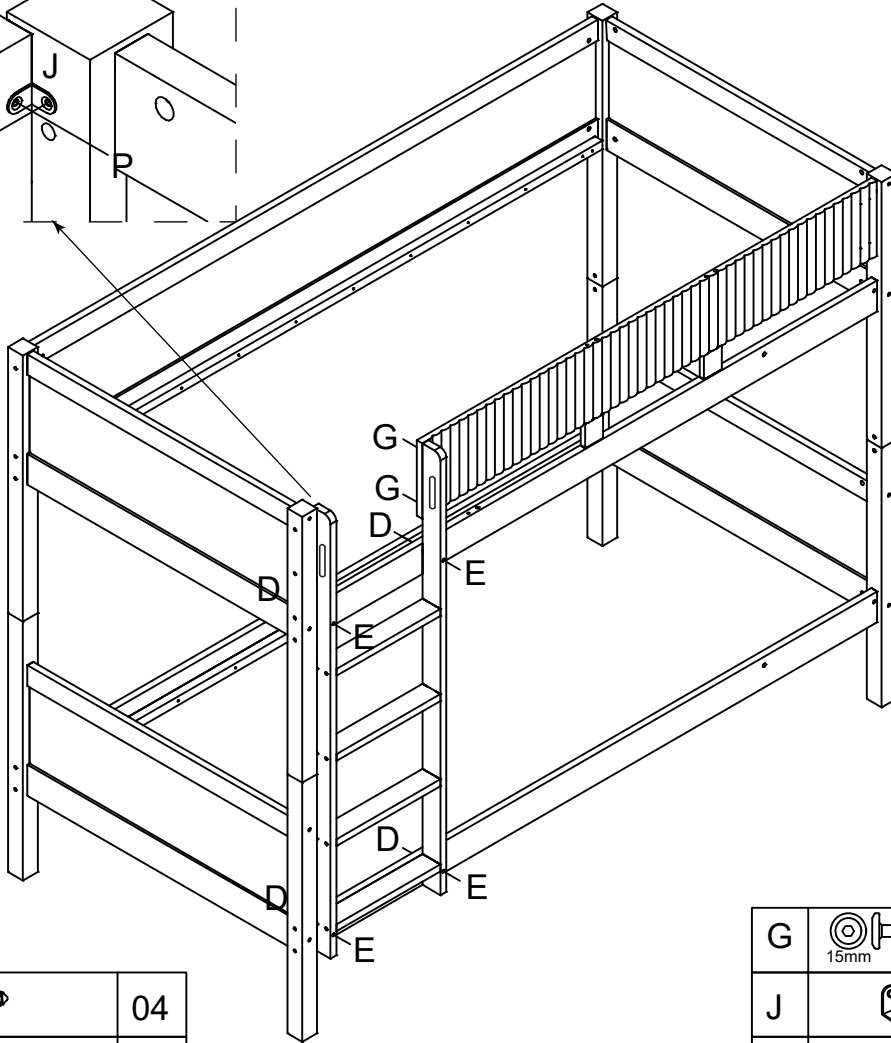
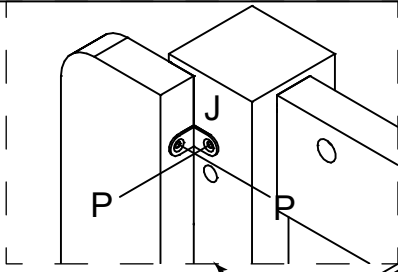
09

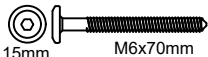



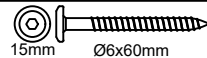


F	 10mm	 Ø7x60mm	16
---	---	--	----

10

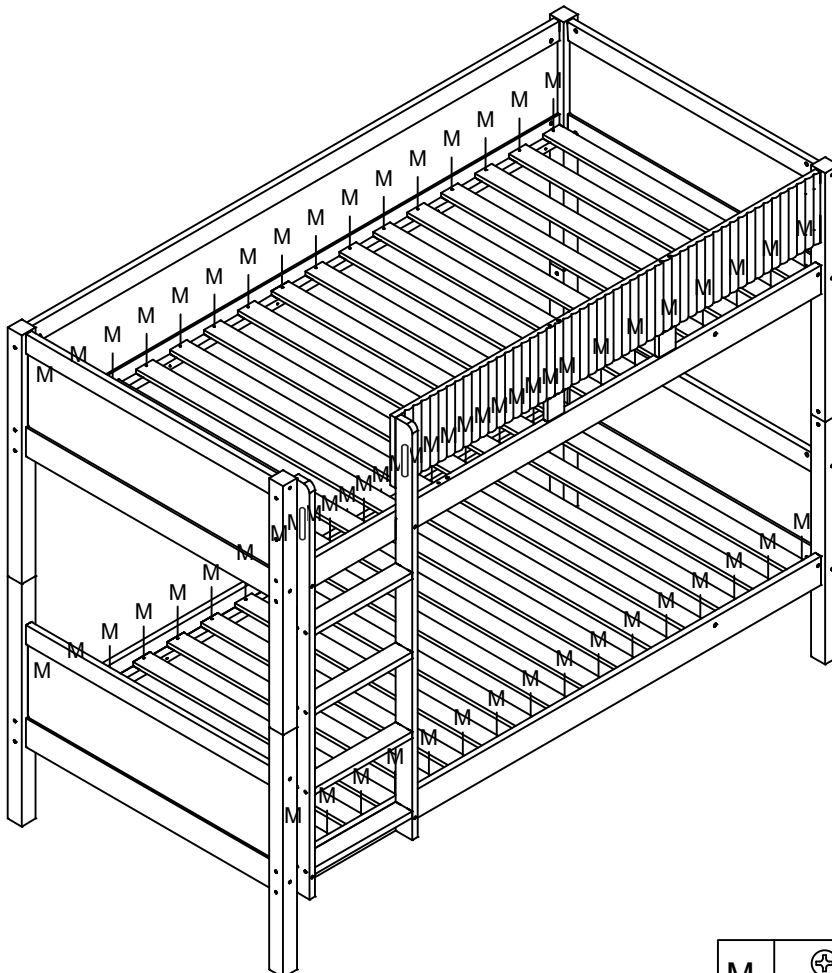
REMARK: Angled iron [J] can be installed here.

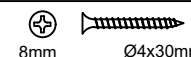


D		04
E		04

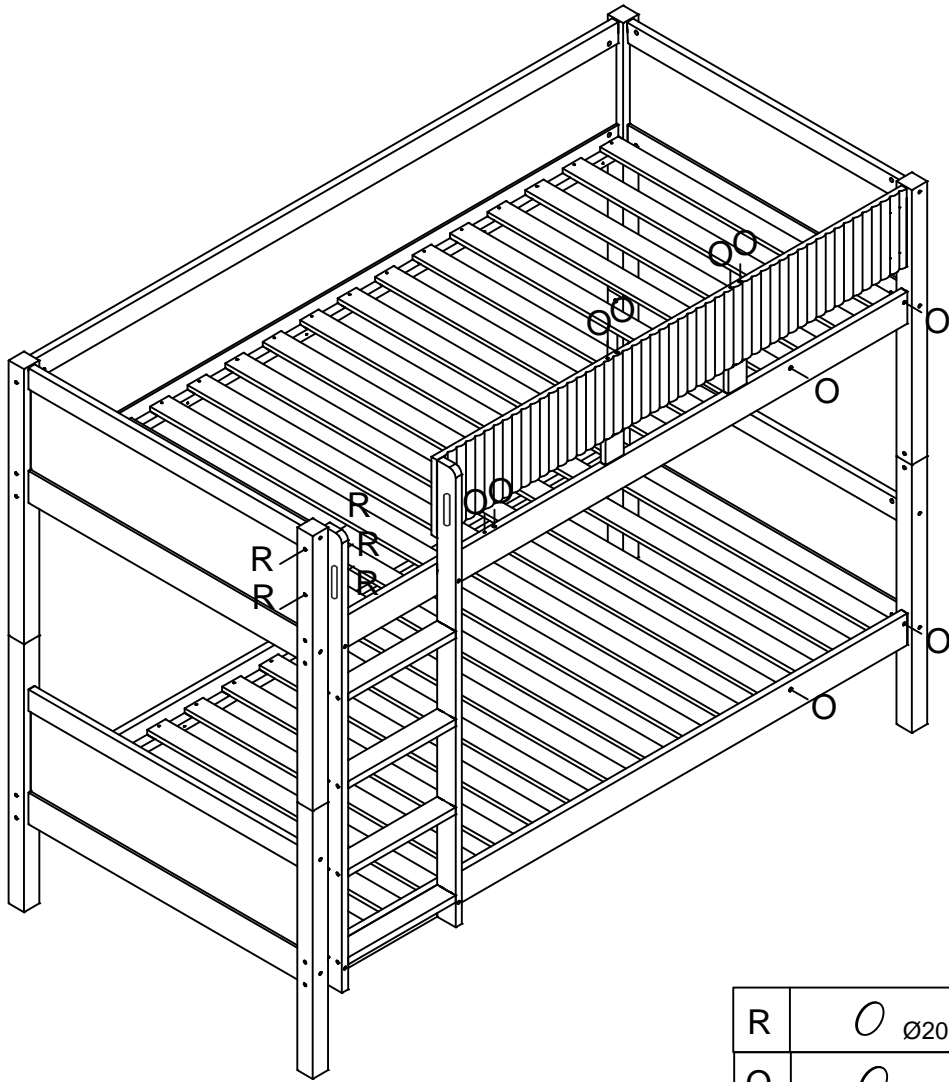
G		02
J		01
P		02



11



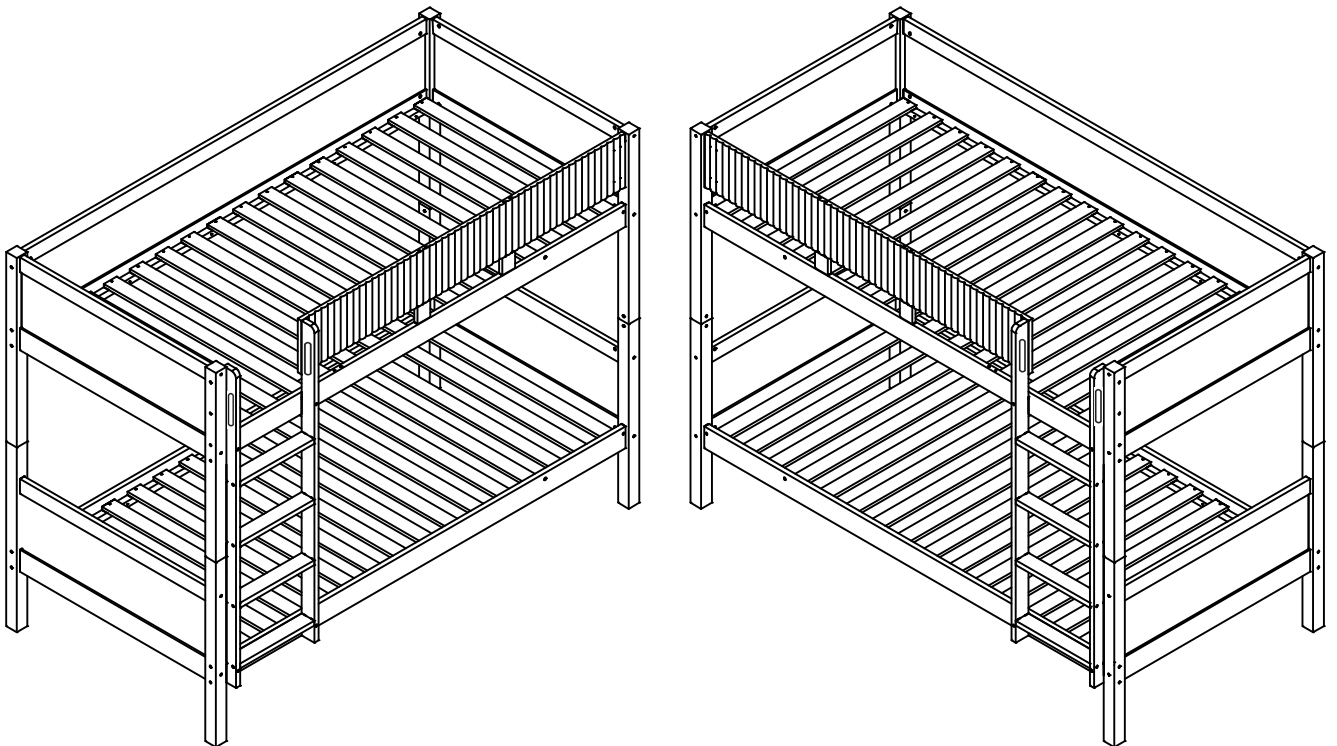
M		64
---	---	----

12



R	 Ø20mm	05
O	 Ø12mm	10

13



RETURN / DAMAGE CLAIM INSTRUCTIONS

1. **DO NOT** discard of the box / original packaging.

In case a return is required, the item must be returned in original box. Without this your return will not be accepted.

2. Take a photo of the box markings.

A photo of the markings (text) on the box is required in case a part is needed for replacement. This helps our staff identify your product number to ensure you receive the correct parts.

3. Take a photo / Video of Damage (if applicable).

A photo /Video of the damage is always required to file a claim and get your replacement or refund processed quickly. Please make sure you have the box even if it is damaged.

4. Send us an email with the images requested.

Email us directly with the attached images, order number (SOXXXX) and a description of your claim.

Auckland / Waikato / BOP Branch: sales@tsbliving.co.nz

Christchurch Branch: customersupport@tsbliving.co.nz

Wellington Branch: wellington@tsbliving.co.nz