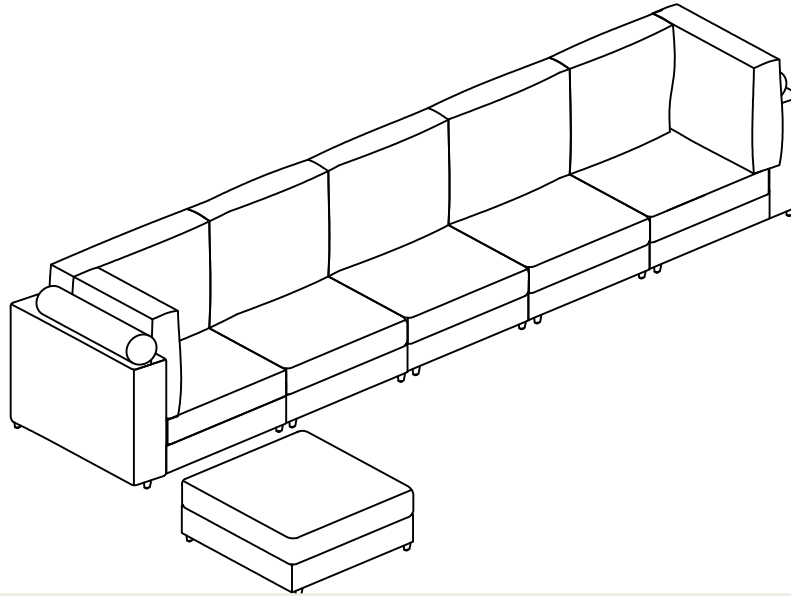


# SSF104 Sectional Sofa

## Assembly Instruction



### 1. Multi-box Shipping Notice

This product is packaged in 5 separate boxes for shipping and may arrive in batches at different times. To ensure a smooth assembly process, please make sure all 5 boxes are received before unpacking and starting the installation.

### 2. Box and Packaging Verification

Each box is labeled with a corresponding number. Please refer to the packing list on the next page of this manual to verify that all boxes have been received.

If you notice any missing boxes, damaged parts, or accessory shortages, please contact the customer service team of your purchasing channel immediately. We will resolve the issue as quickly as possible.



# SAFETY WARNINGS

## SAFETY FIRST!

All Bunkbeds were designed and manufactured with **your child's safety as our top priority.**

Their unparalleled strength is a bi-product of the safety design. Our bunks meet all compliance with ASTM F 1427-13 "Standard Consumer Safety Specification for Bunk Beds" and Code of Federal Regulations (CFR) 1213 "Safety Standards for Entrapment Hazards in Bunk Beds" and (CFR)1513 "Requirements for Bunks Bed".

Safety is a cooperative effort between us as the manufacturer, and you as a guardian. **Please read and consider the warnings listed on this page** when choosing a mattress and discussing rules of use with your child.

1. Follow the information on the warnings appearing on the upper Bunk end structure and on the carton. Do not remove warning label from bed.
2. Always use the recommended size mattress or mattress support, or both, to help prevent entrapment or falls.
3. Surface of mattress must be at least 5 inches (127mm) below the upper edge of guardrails.
4. Do not allow children under 6 years of age to use the upper Bunk.
5. Prohibit more than one person on the upper Bunk.
6. Periodically, check and ensure that the guardrail, ladder, and other components are in their proper position, free from damage, and that all connectors are tight.
7. Do not allow horseplay on or under the bed and prohibit jumping on the bed.
8. Always use the ladder for entering and leaving the upper Bunk.
9. Do not use substitute parts. Contact the manufacturer or dealer for replacement parts.
10. Use of a nightlight may provide added safety precaution for a child using the upper Bunk.
11. Always use guardrails on both long sides of the upper Bunk. If bunk bed will be placed next to the wall, the guardrail that runs the full length of the bed should be placed against the wall to prevent entrapment between the bed and wall.
12. The use of water or sleep flotation mattresses is prohibited.
13. **Keep these instructions for future reference.**



### STRANGULATION HAZARD

Never attach or hang items to any part of the bunk bed that are not designed for use with the bed; including, but not limited to, hooks, belts and jump ropes.

### SIZE OF MATTRESS AND FOUNDATION

Use only mattress which is 74 - 75 inches long and 37½ - 38 ½ inches wide on upper Bunk. Ensure thickness of mattress does not exceed 8 inches and the mattress is at least 5 inches below upper edge of guardrails.



# Safety and Care Advice

**Important - Please read these instructions fully before starting assembly**

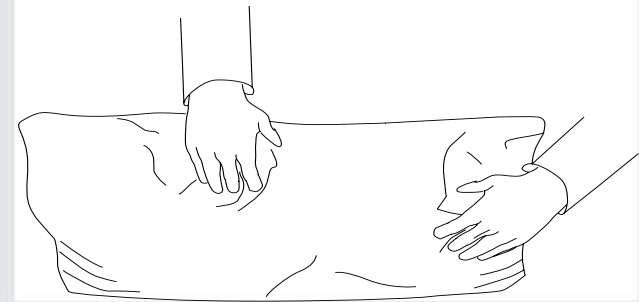
**Thanks for your purchase. Before the assembly, please follow the instructions to check if all the spare parts and screws are intact.**

- Considering the size and weight of the sofa, we recommend two adults to assemble the sofa, on a carpeted or padded area in the room that it is intended for. Approximate assembly time: 30 minutes.
- Keep all components and packaging out of reach of children or animals to avoid the risk of choking or suffocation.
- Please do not throw away any of the packaging or instruction until all the components and hardware have been checked and the furniture is fully assembled. Please ensure that the packaging is disposed in a safe and environmentally friendly way.
- Please do not take off the cover, and do not wash.

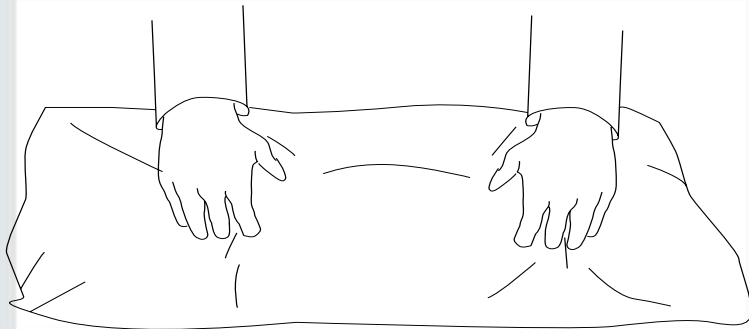
Your cushions come vacuum packed and sealed for shipping. To restore the cushion's original shape, follow the steps below.



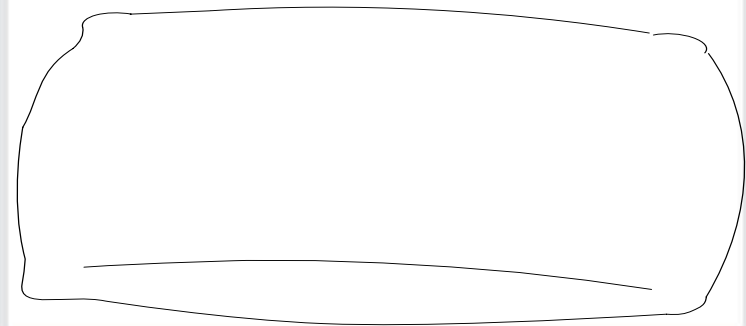
Open the vacuum bag carefully.



Press and tap with both hands from the side to fully inhale air.



Press and tap with both hands from the front to fully inflate.



Carefully smooth out each section until the surface is even.

After packing up, place them somewhere dry and ventilated. After about 72-96 hours, it can be restored to its best-use condition.

# ASSEMBLY INSTRUCTIONS

## **Customer Service Guide**

Thank you for choosing our product! If you encounter missing parts, damaged packaging, or product damage upon receiving all parcels, please follow the steps below to contact our service team. We are here to assist you.

### **1. Missing Parts**

Check the Parts

Compare with the included “Parts List” (refer to page [specific page/section] of the manual) and verify the missing item’s name, specification, and quantity.

Please provide a clear photo of the parts list, highlighting the missing part(s) and its details, e.g., “Missing 5 pcs of M6×30mm screws.”

Contact Us

Phone:

Call our customer service hotline at [Phone Number] during working hours ([Time Range]). Please provide order details (order number, purchase platform, purchase date ) and a clear description of the missing parts.

Email:

Send an email to [service@grandtunnel.com](mailto:service@grandtunnel.com) with the subject “Missing Parts Issue.” Describe the missing part(s) in the email body and attach the parts list photo and order details

### **2. Damaged Product or Packaging**

If it affects normal use

Steps:

1. Take photos or videos clearly showing the damaged part and the extent of the damage (multi-angle shots are recommended).

2. Send the photos/videos along with your order details to [service@grandtunnel.com](mailto:service@grandtunnel.com) with the subject “Damaged Product Issue.”

Resolution:

We will arrange for a replacement or refund after verifying the issue.

If it does not affect normal use

Steps:

1. Contact our customer service team (Phone: [Phone Number] or Email: [service@grandtunnel.com](mailto:service@grandtunnel.com)) with a description of the damage and attach photos or videos.

Resolution:

We will provide repair guidance or appropriate compensation

Customer Service Email:

[service@grandtunnel.com](mailto:service@grandtunnel.com)

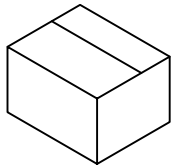
Friendly Reminder

To ensure efficient processing of your issue, please prepare relevant details(e.g., order number, purchase platform, purchase date) and clear photos or videos.

Regardless of the issue, our customer service team is dedicated to providing you with satisfactory solutions.

Thank you for your trust and support, and enjoy your product!

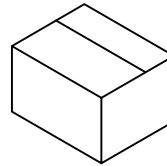
### BOX 1



### SOFA PART

Ⓒ		Backrest x1	Ⓜ		Seat Base (L) x1
Ⓓ		Headrest x2	ⓐ		Seat Base (R) x1
Ⓚ		seat x2	ⓔ		Headrest x1
Ⓛ		Seat Middle x1			

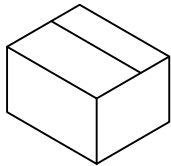
### BOX 2



### SOFA PART

Ⓐ		Backrest x1	ⓙ		Back Frame (R) x1
Ⓑ		Back Frame x1	Ⓛ		Seat middle x2
ⓔ		Headrest x1	Ⓝ		Seat Base x2
Ⓒ		Backrest x1	Ⓓ		Headrest x1

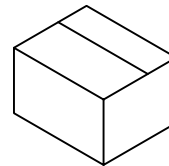
### BOX 3



### SOFA PART

Ⓕ		Armrest (L) x1	ⓔ		Headrest x1
Ⓗ		Back frame (L) x1	Ⓓ		Headrest x1
Ⓖ		Armrest (R) x1			
Ⓝ		Seat Base x1			

### BOX 4



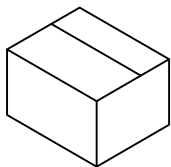
### SOFA PART

Ⓑ		Back Frame x1
Ⓐ		Backrest x2
Ⓟ		Ottoman x1
Ⓖ		Ottoman Frame x1

### HARDWARE PART

Ⓐ		Sofa Leg 14cm x24
Ⓑ		Plastic Washer x24
Ⓒ		Screw M8*40MM x35
Ⓓ		Washer x35
Ⓔ		Allen Key x1

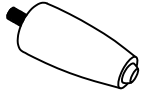




### BOX 5



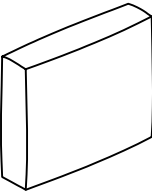
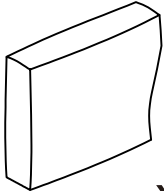
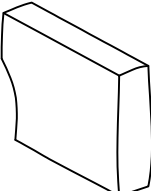
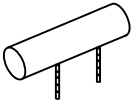
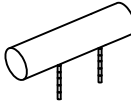
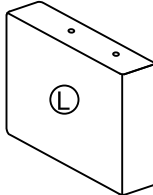
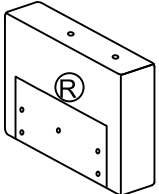
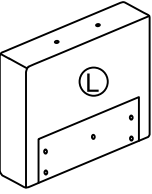
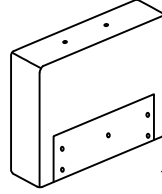
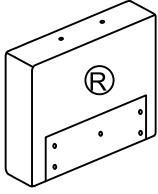
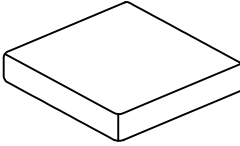
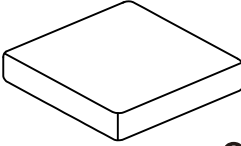
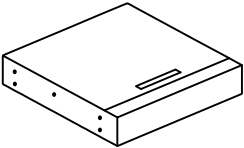
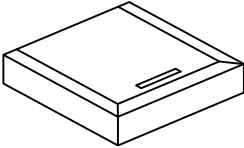
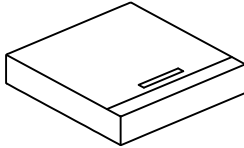
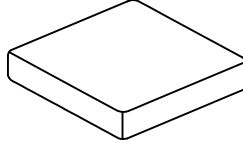
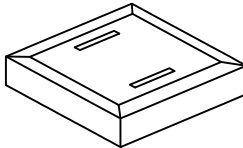
### SOFA PART

Ⓛ		Middle backframe x3
---	--	---------------------

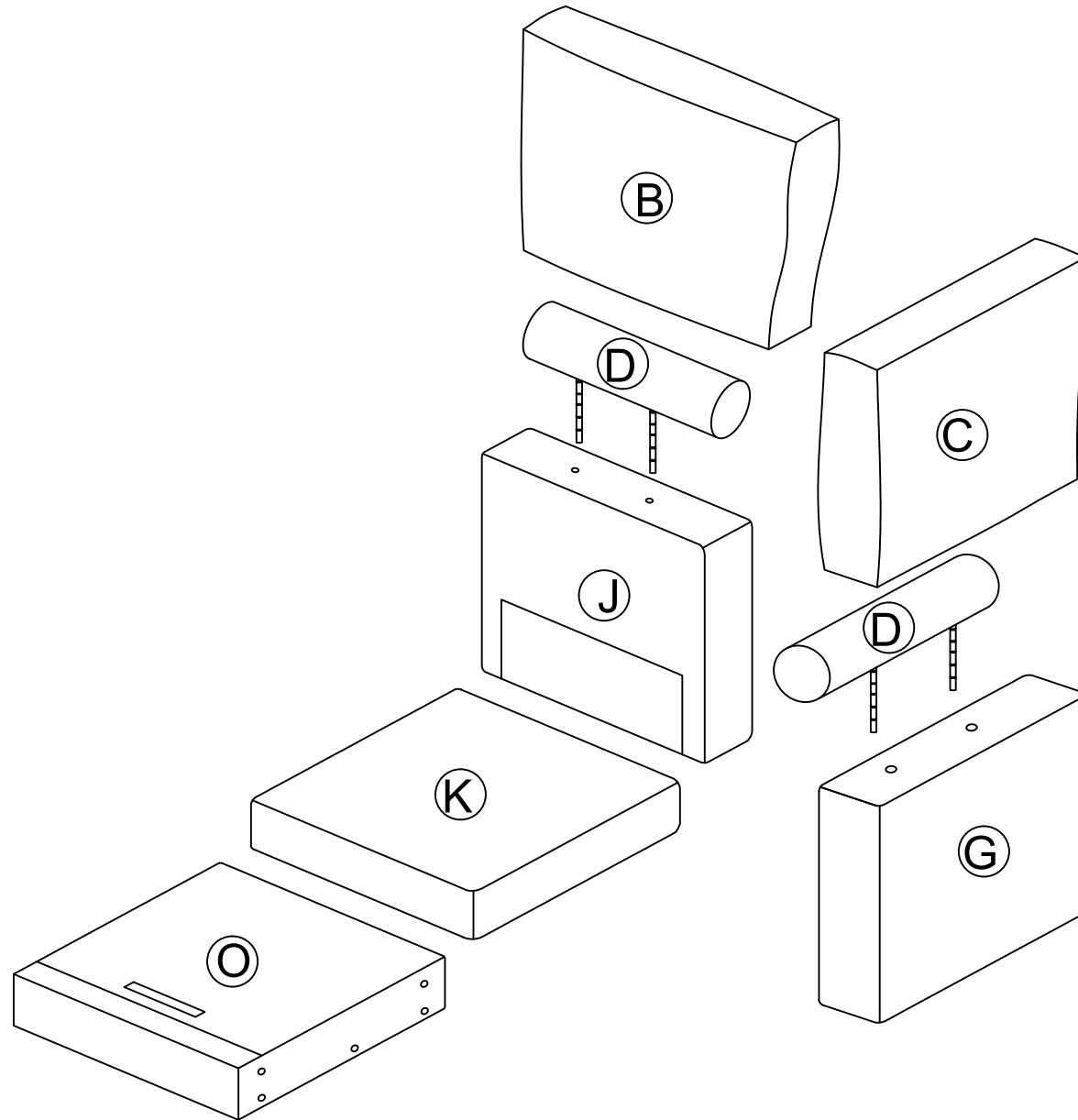
# Hardware parts

<p><b>a</b> Sofa Leg 14cm</p>  <p>x24</p>	<p><b>b</b> Plastic Washer</p>  <p>x24</p>	<p><b>c</b> Washer M8*40</p>  <p>x35</p>	<p><b>d</b> Washer φ8*18*1.2MM</p>  <p>x35</p>	<p><b>e</b> Allen Key</p>  <p>x1</p>
--	---	--	---	---





# Main structure accessories

<p><b>A</b> Backrest</p>  <p>x3</p>	<p><b>B</b> Back Frame</p>  <p>x2</p>	<p><b>C</b> Backrest</p>  <p>x2</p>	<p><b>D</b> Headrest</p>  <p>x4</p>	<p><b>E</b> Headrest</p>  <p>x3</p>	<p><b>F</b> Armrest (L)</p>  <p>x1</p>
<p><b>G</b> Armrest (R)</p>  <p>x1</p>	<p><b>H</b> Back Frame (L)</p>  <p>x1</p>	<p><b>I</b> Middle Backframe</p>  <p>x3</p>	<p><b>J</b> Back Frame (R)</p>  <p>x1</p>	<p><b>K</b> Seat</p>  <p>x2</p>	<p><b>L</b> Seat Middle</p>  <p>x3</p>
<p><b>M</b> Seat Base (L)</p>  <p>x1</p>	<p><b>N</b> Seat Base</p>  <p>x3</p>	<p><b>O</b> Seat Base (R)</p>  <p>x1</p>	<p><b>P</b> Ottoman</p>  <p>x1</p>	<p><b>Q</b> Ottoman Frame</p>  <p>x1</p>	

# Right Section Assembly Instructions





## HARDWARE ACCESSORY LIST

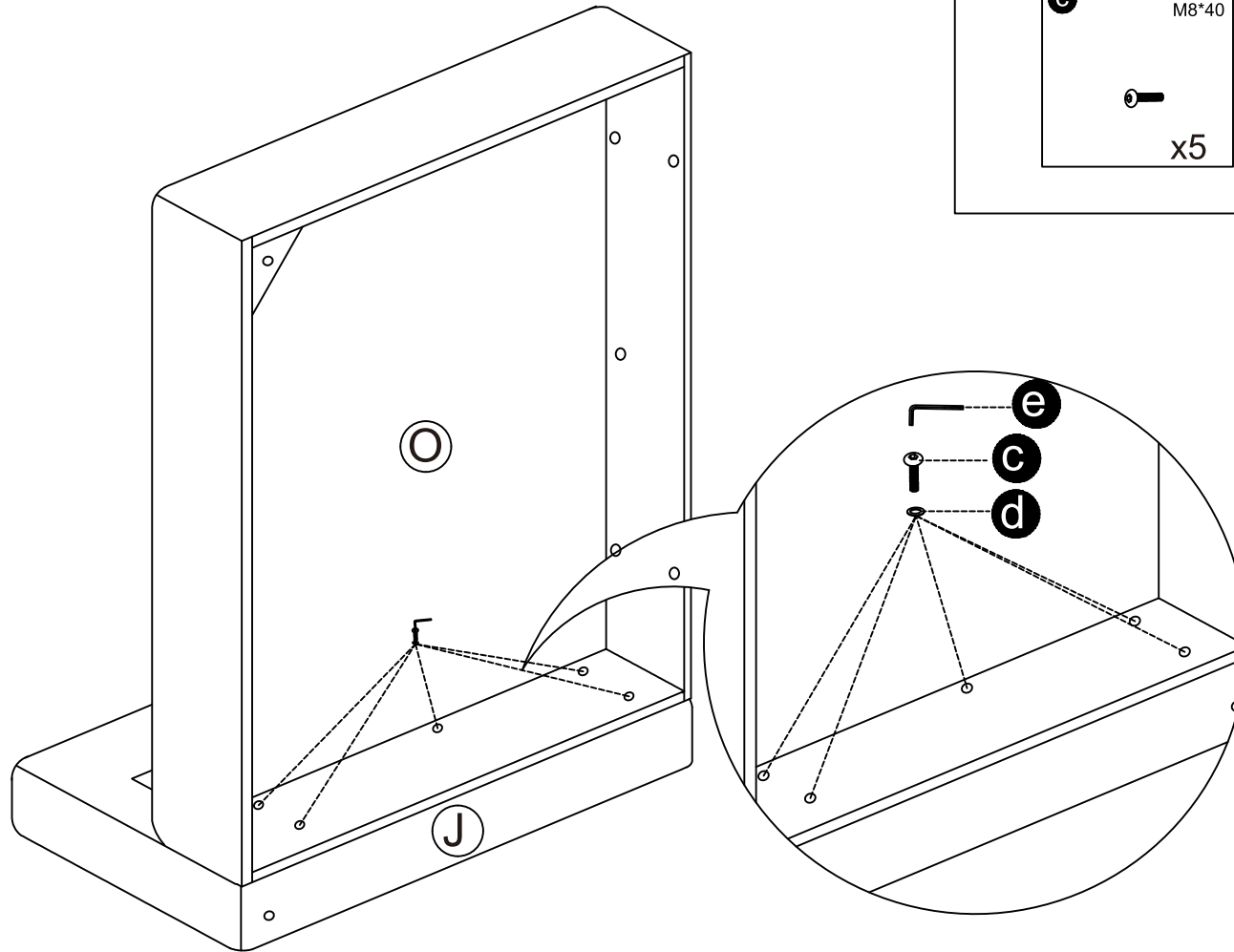
<b>a</b> Sofa Leg 14cm  x4	<b>b</b> Plastic Washer  x4
<b>c</b> Washer M8*40mm  x10	<b>d</b> Washer φ8*18*1.2MM  x10

# STEP 1

Attach the **J backrest** to the short side of the **O seat frame** by aligning the holes and securing with **C screws** and **D washers**. Tighten

## HARDWARE ACCESSORY LIST



<b>c</b>	Washer M8*40	<b>d</b>	Washer φ8*18*1.2MM
			
	x5		x5

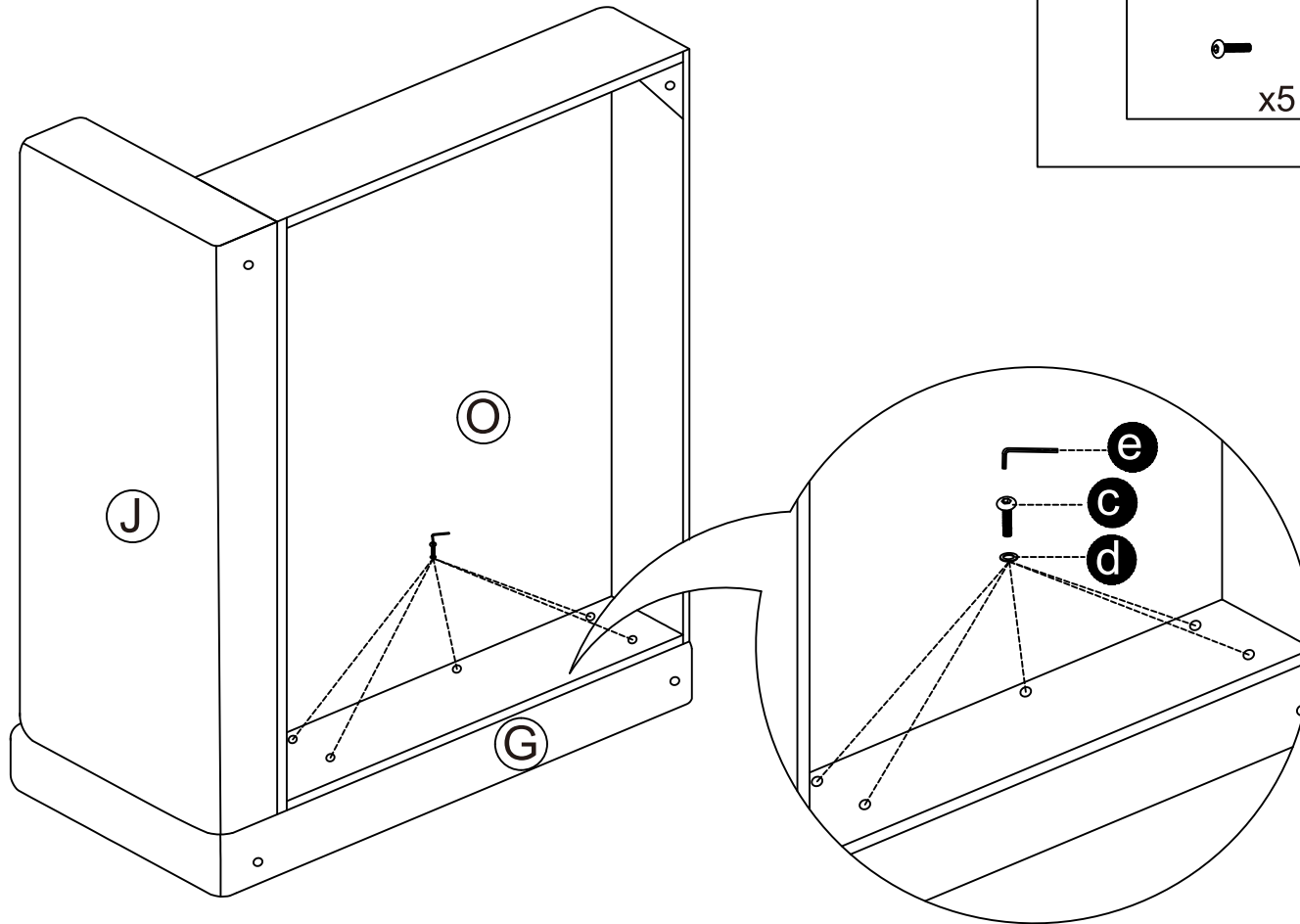


# STEP 2

Attach the **G backrest** to the long side of the **O seat frame** by aligning the holes and securing with **C screws** and **D washers**. Tighten.

## HARDWARE ACCESSORY LIST



<b>c</b>	Washer M8*40	<b>d</b>	Washer φ8*18*1.2MM
			
	x5		x5

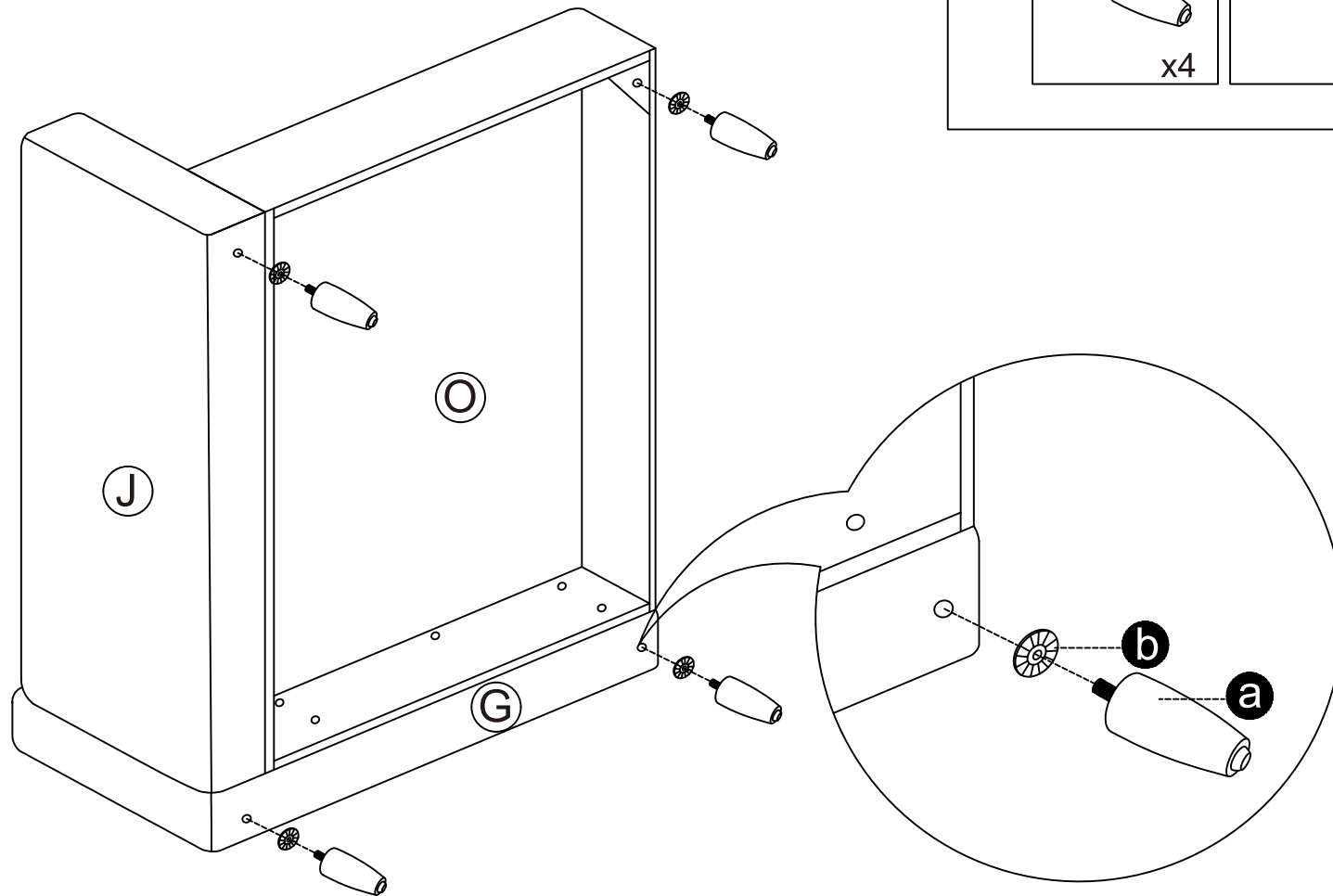


# STEP 3

Screw 4 **A** wooden legs with **B** washers into the bottom of the **O** seat frame.

## HARDWARE ACCESSORY LIST

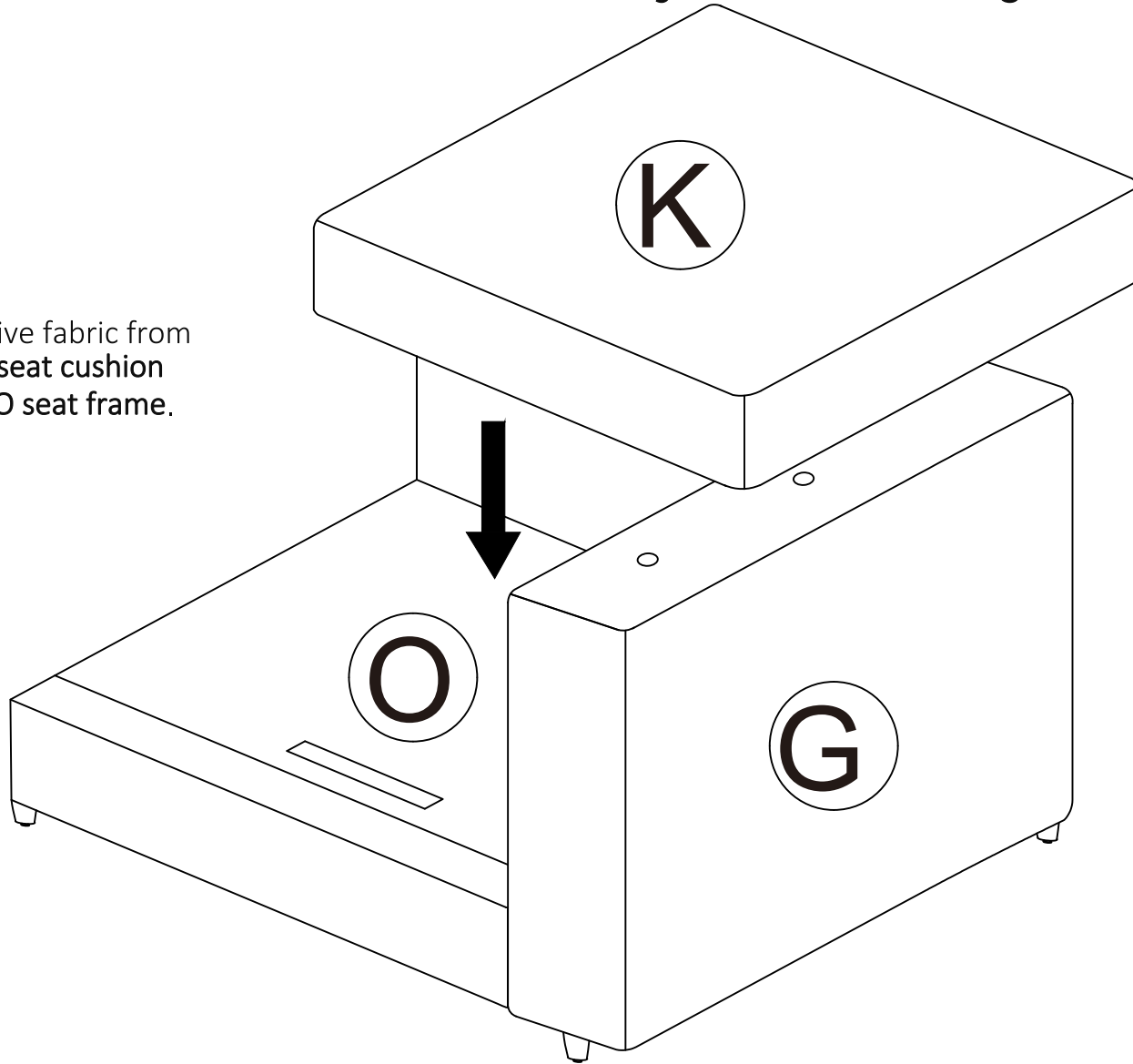
<b>a</b>	Sofa Leg 14cm	<b>b</b>	Plastic Washer
			
x4		x4	



## STEP 4

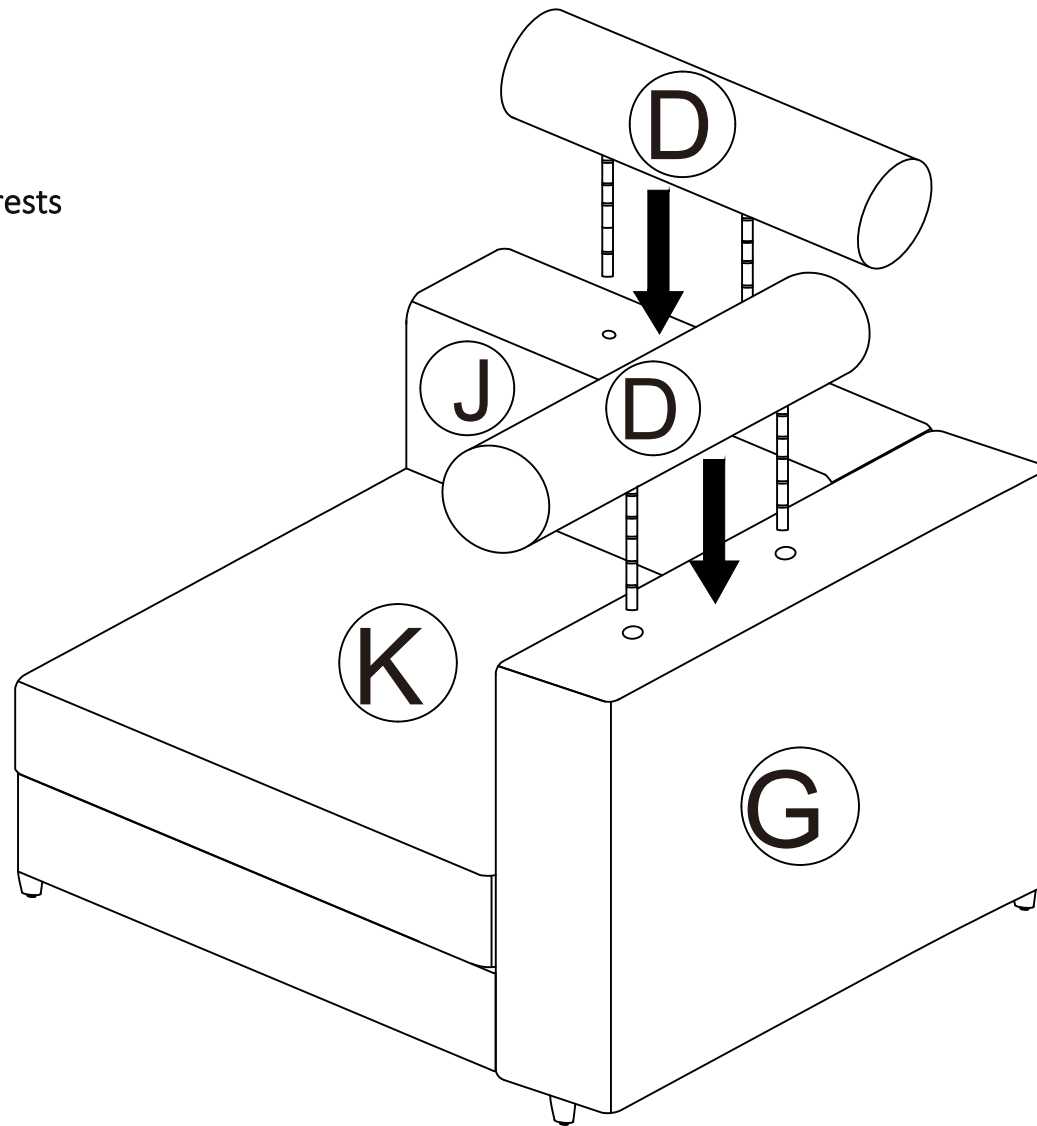
Note: Ensure that the velcro on K aligns with the velcro on O vertically when attaching.

Remove the protective fabric from the velcro on the K seat cushion and attach it to the O seat frame.



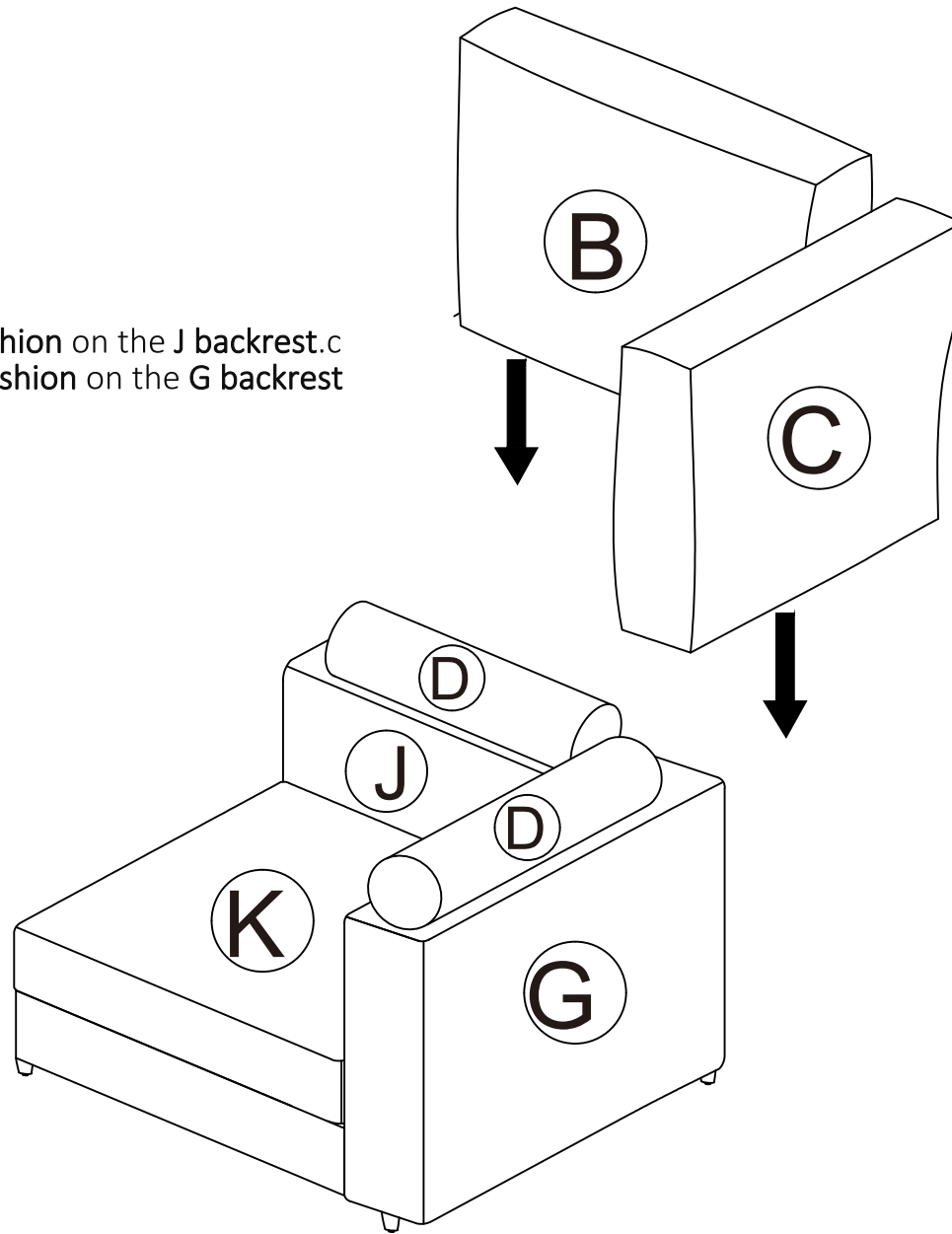
# STEP 5

Insert 2 **D** pillows into the holes on the **G** and **J** backrests , respectively



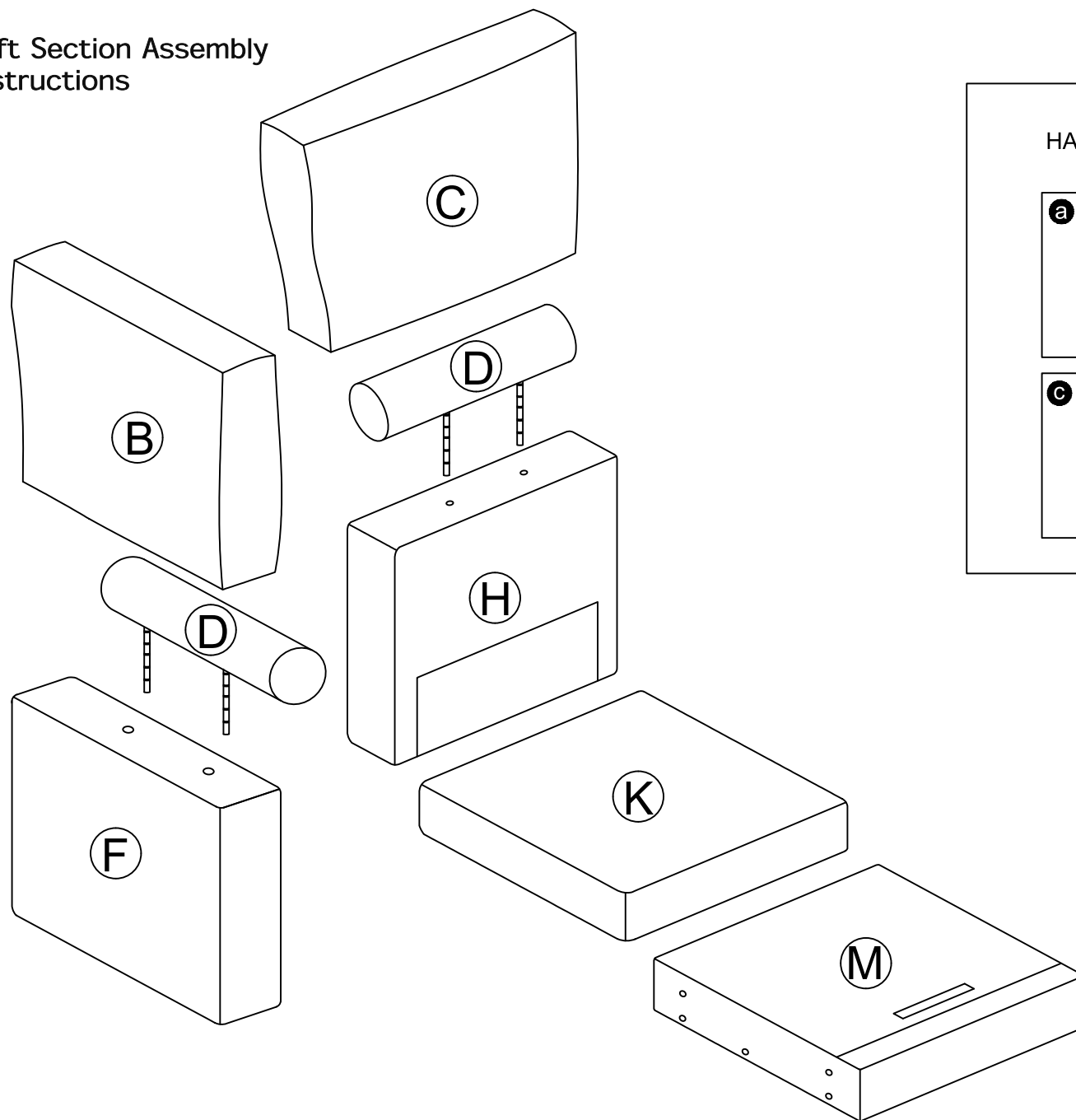
# STEP 6

- A. Place the **B** backrest ushion on the J backrest.c
- B. Place the **C** backrest cushion on the **G** backrest









# Left Section Assembly Instructions





## HARDWARE ACCESSORY LIST

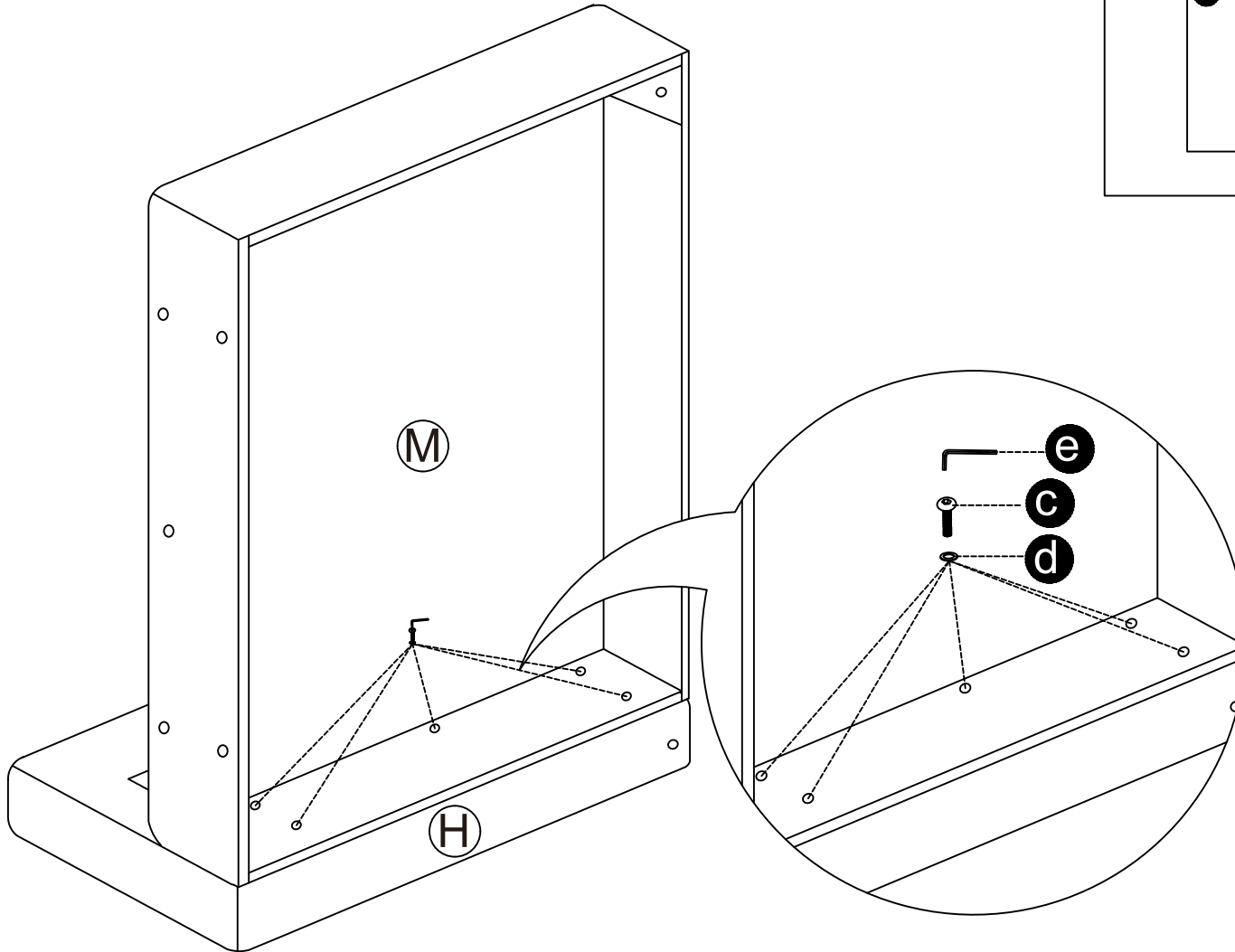
<b>a</b> Sofa Leg 14cm  x4	<b>b</b> Plastic Washer  x4
<b>c</b> Washer M8*40  x10	<b>d</b> Washer φ8*18*1.2MM  x10

# STEP 1

Attach the **H backrest** to the short side of the **M seat frame** by aligning the holes and securing with **C screws** and **D washers**. Tighten.

## HARDWARE ACCESSORY LIST



<b>c</b>	Washer M8*40	<b>d</b>	Washer φ8*18*1.2MM
			
	x5		x5

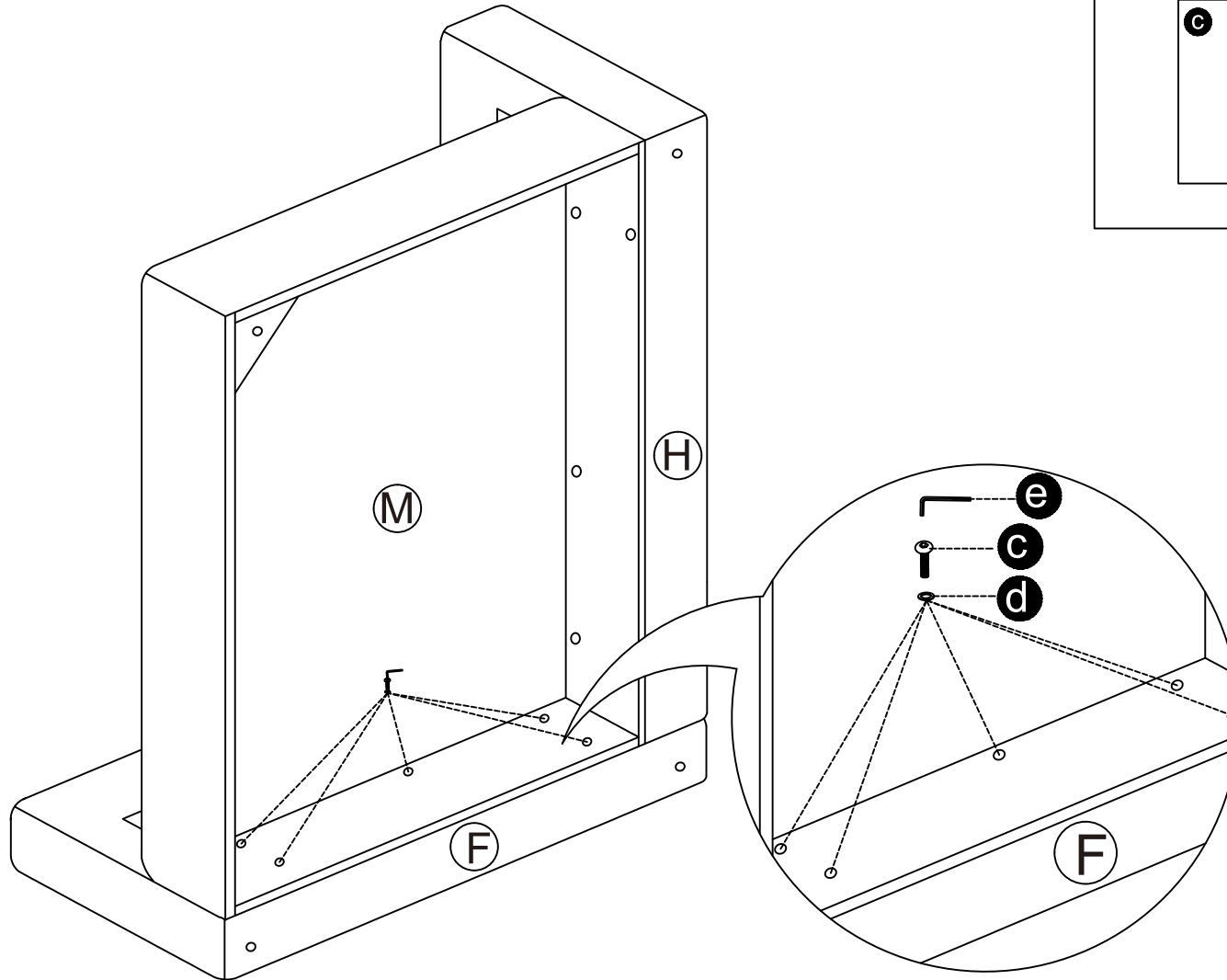


# STEP 2

Attach the **F backrest** to the long side of the **M seat frame** by aligning the holes and securing with **C screws** and **D washers**. Tighten.

## HARDWARE ACCESSORY LIST



<b>c</b>	Washer M8*40	<b>d</b>	Washer φ8*18*1.2MM
			
	x5		x5

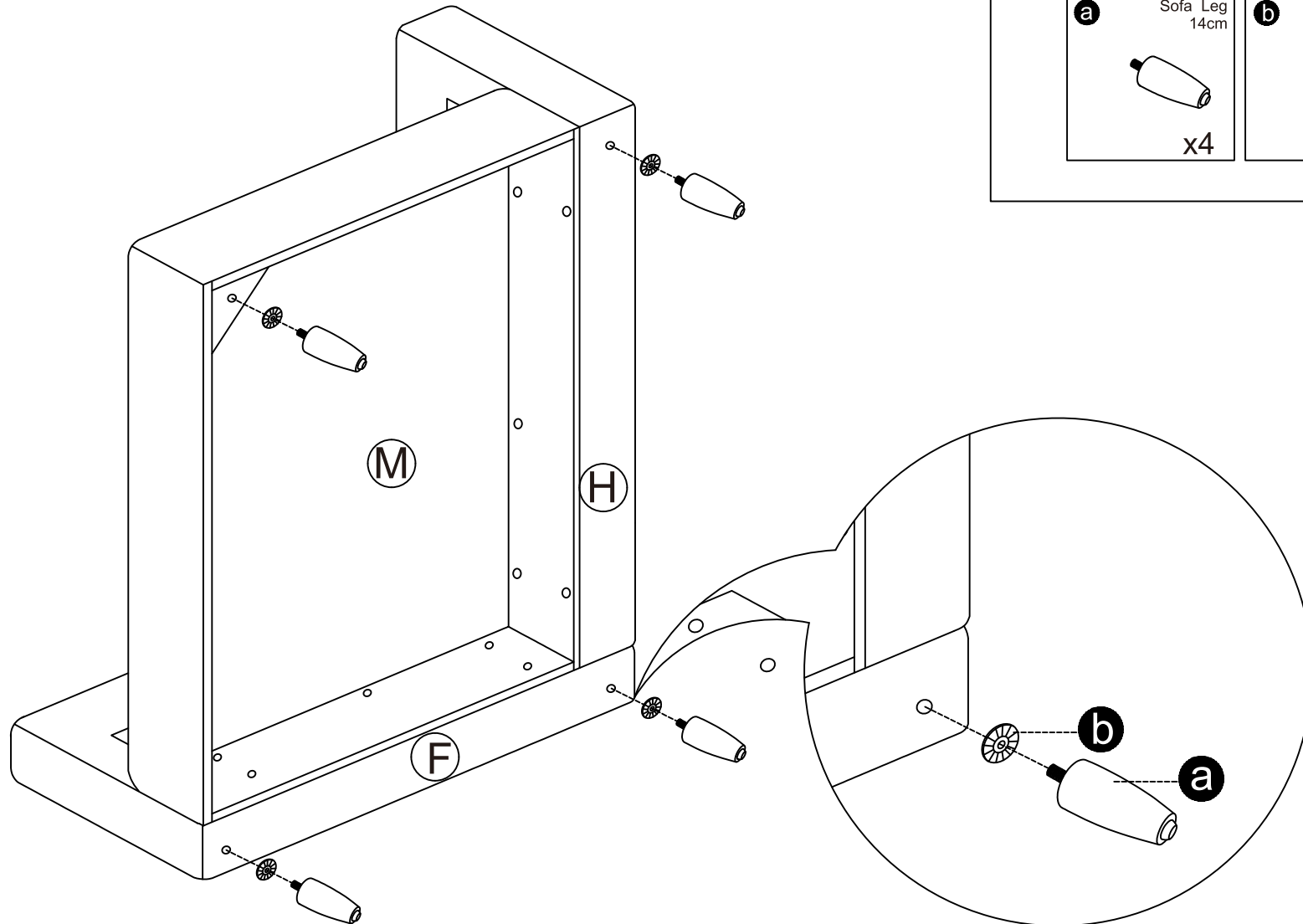


# STEP 3

Screw 4 **A** wooden legs with **B** washers into the bottom of the **M** seat frame.

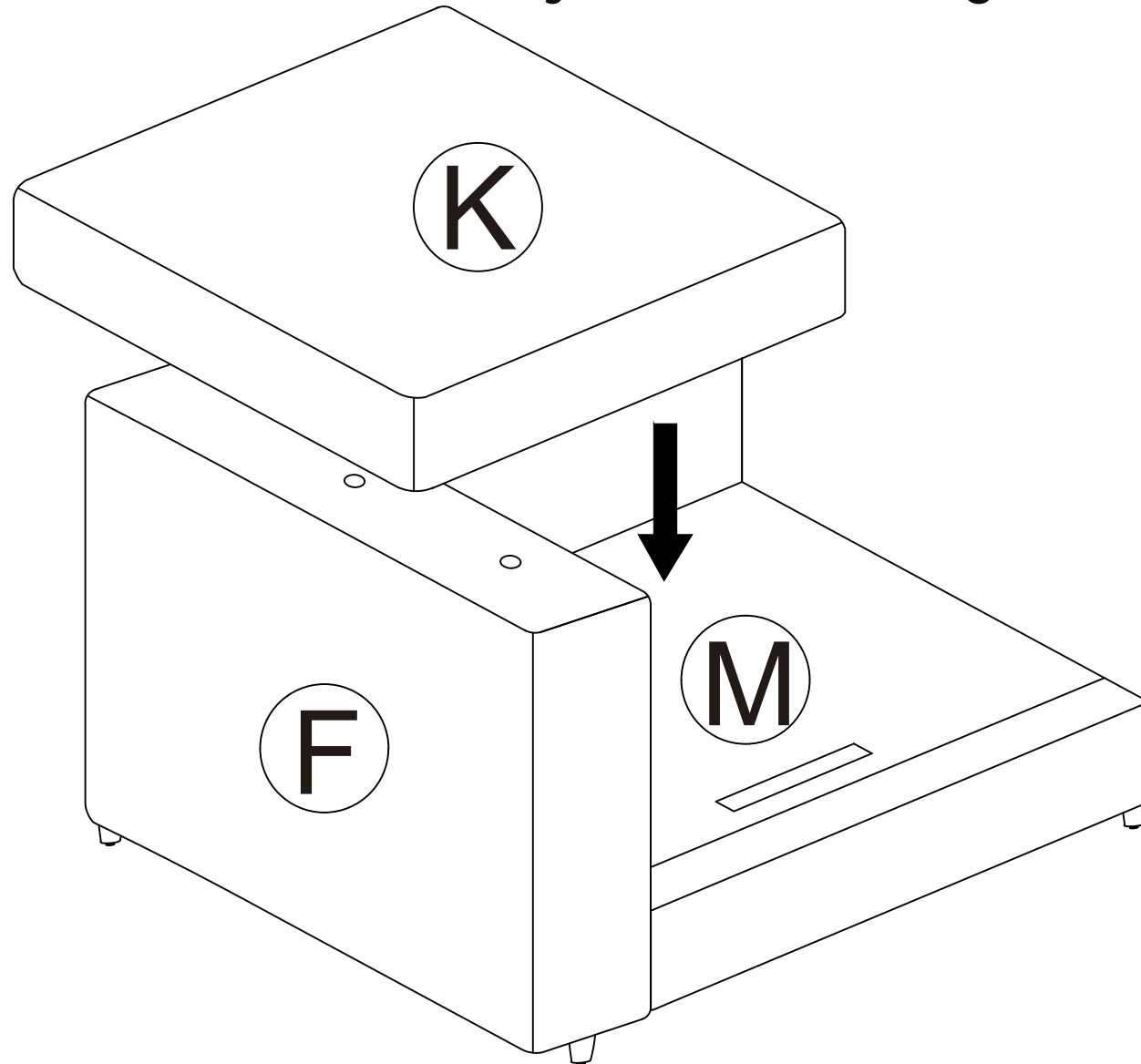
## HARDWARE ACCESSORY LIST

<b>a</b>	Sofa Leg 14cm	<b>b</b>	Plastic Washer
			
x4		x4	



## STEP 4

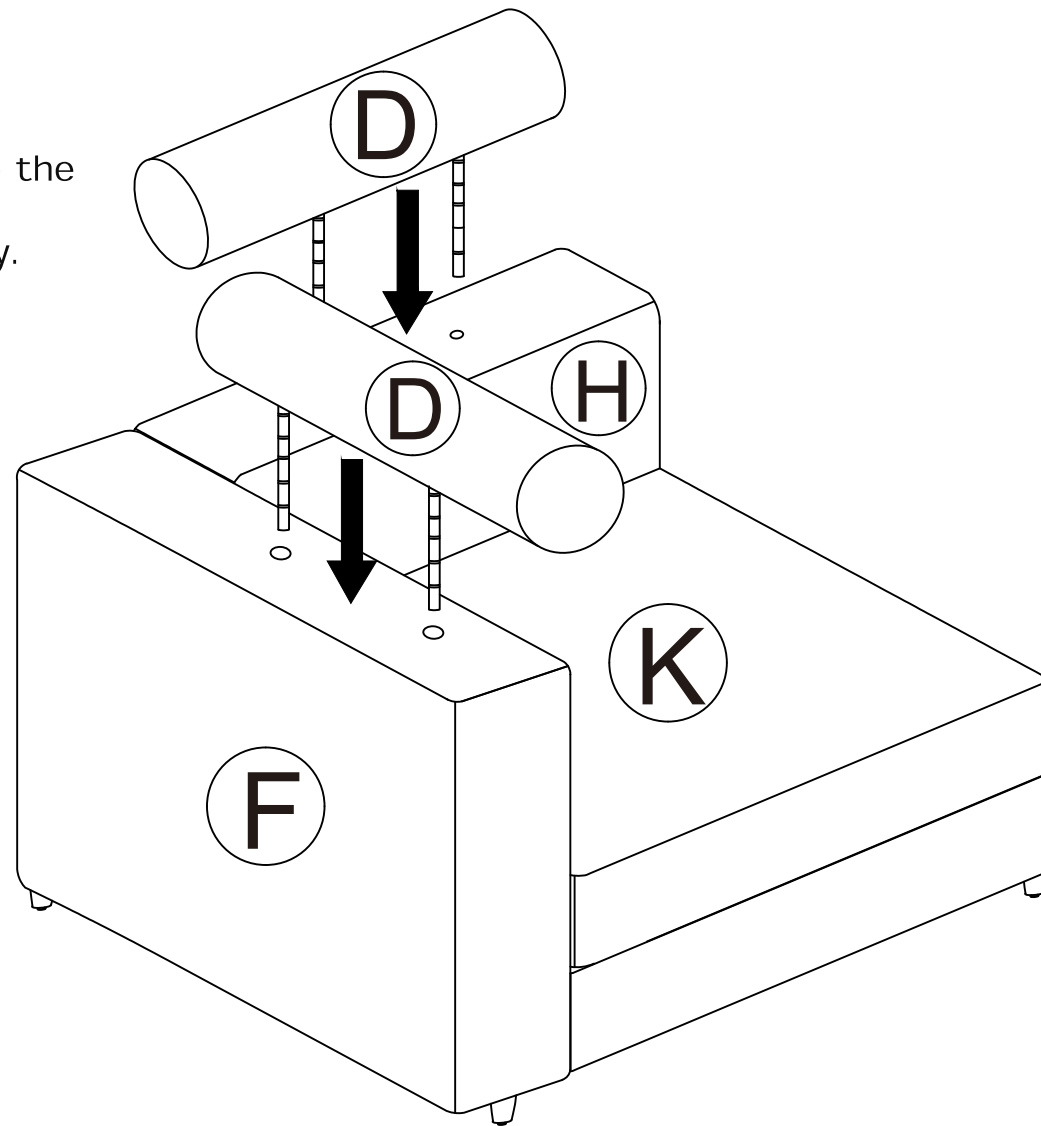
Note: Ensure that the velcro on K aligns with the velcro on M vertically when attaching.



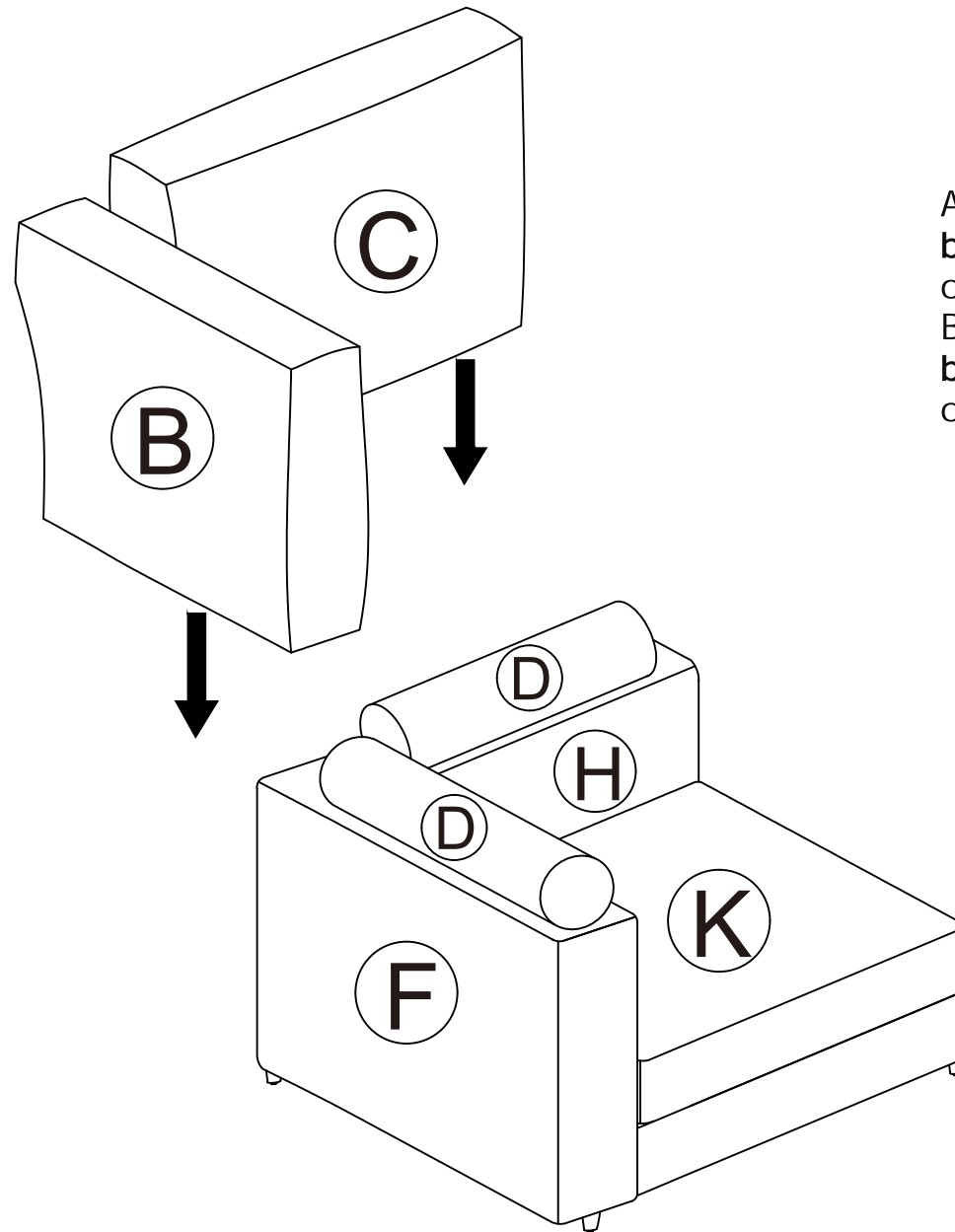
Remove the protective fabric from the velcro on the **K seat cushion** and attach it to the **M seat frame**.

## STEP 5

Insert 2 **D** pillows into the holes on the **F** and **H** backrests, respectively.

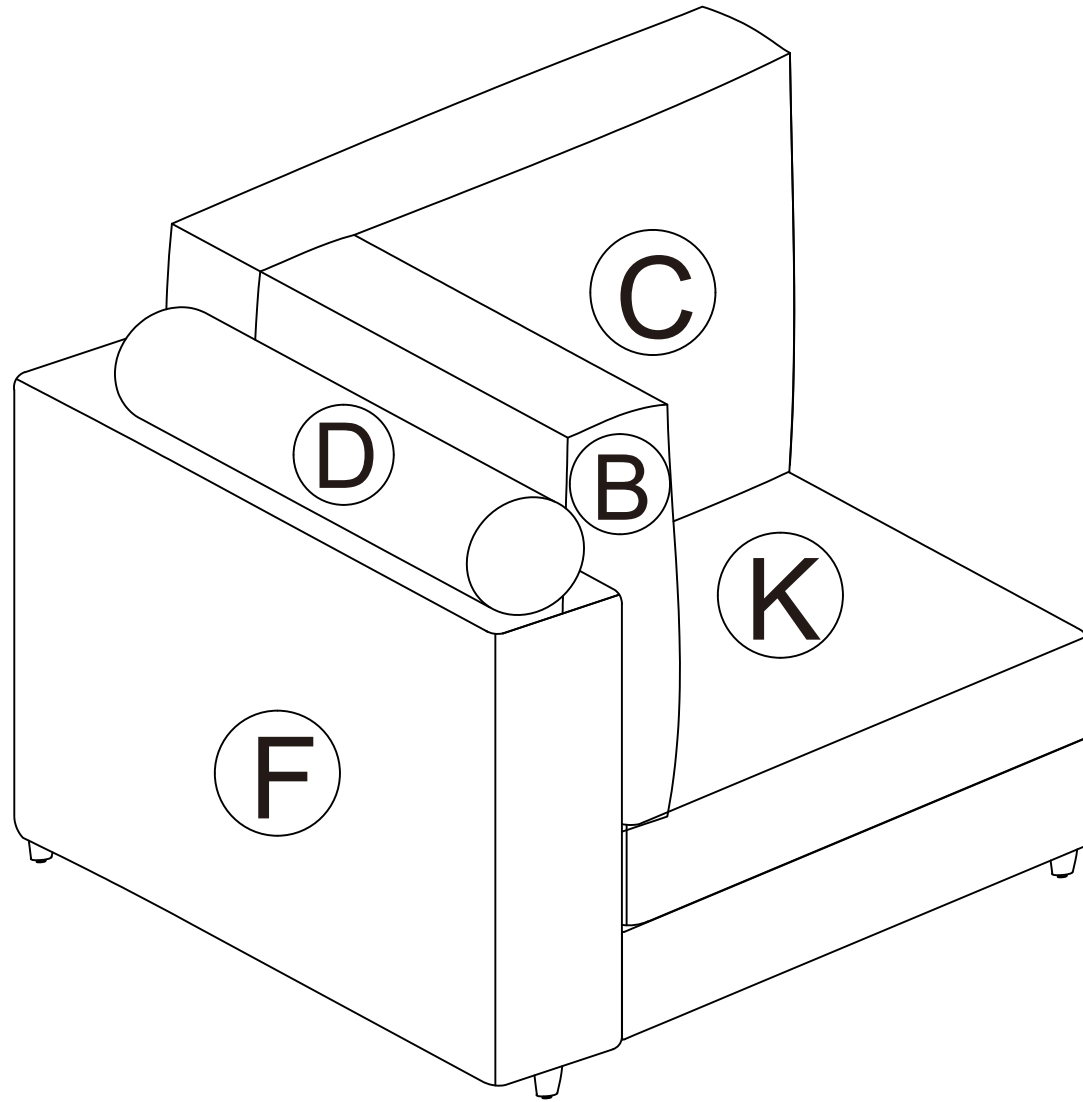


# STEP 6

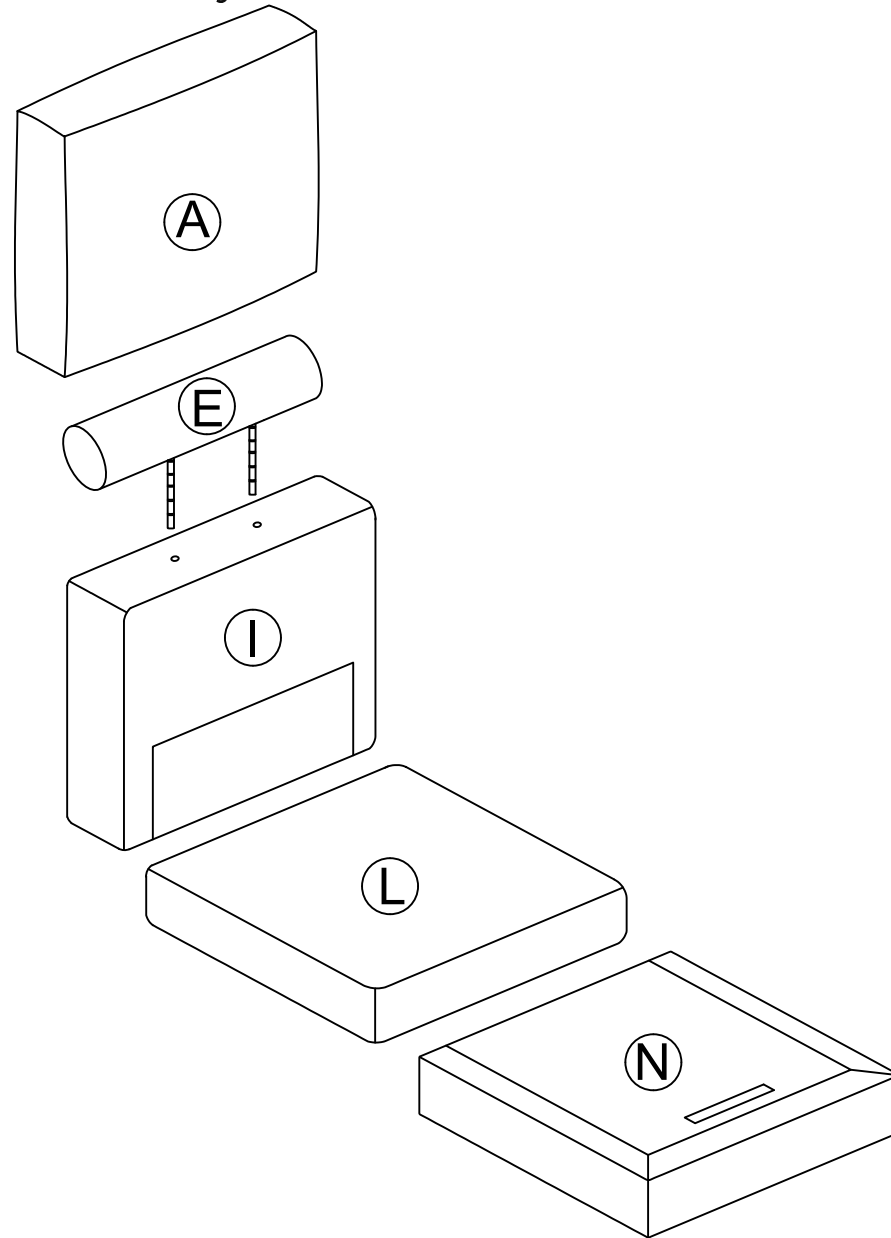


A. Place the **B** backrest cushion on the **F** backrest.  
B. Place the **C** backrest cushion on the **H** backrest





# STEP 7



# Middle Section Assembly Instructions





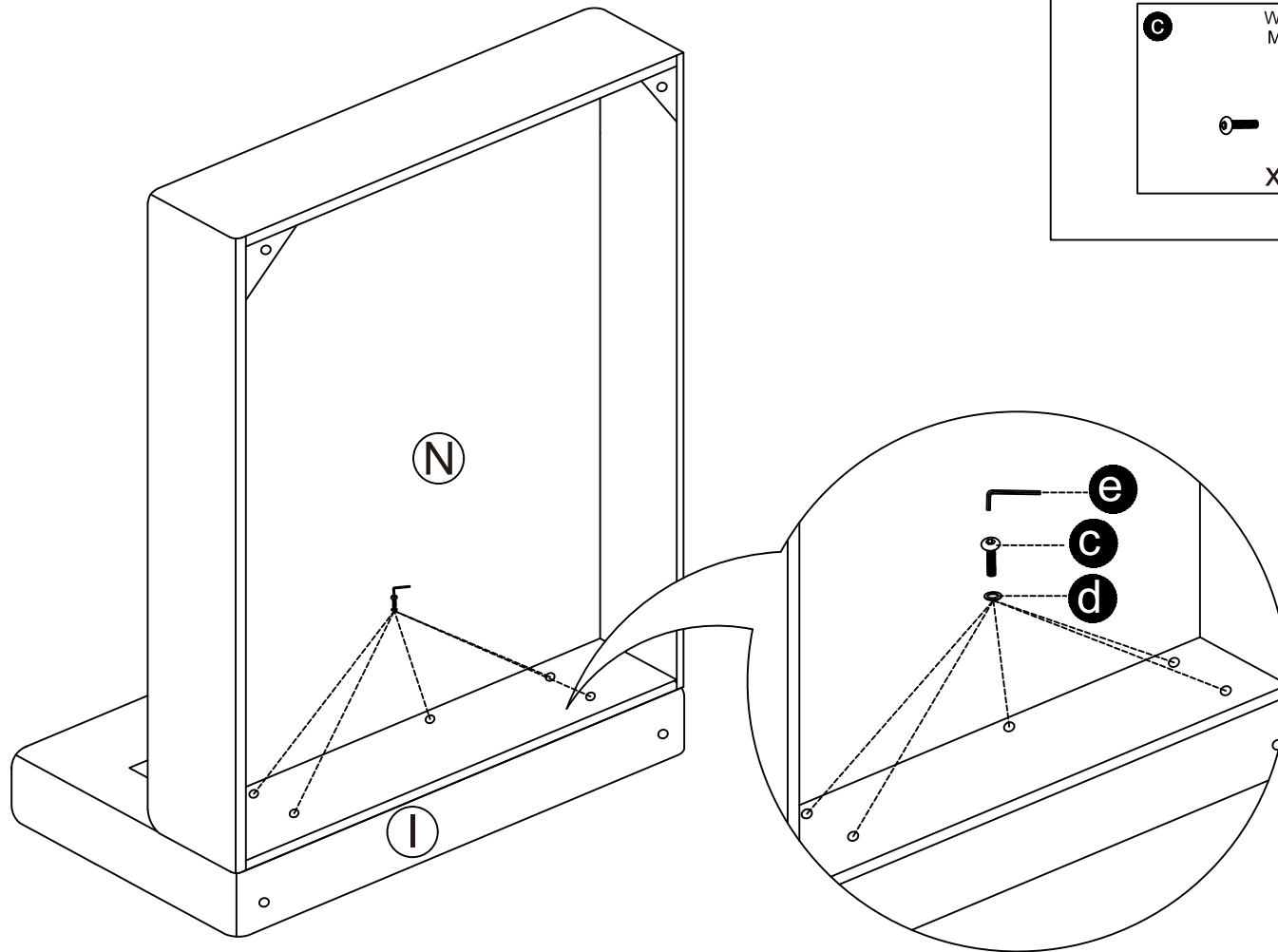
## HARDWARE ACCESSORY LIST

<b>a</b> Sofa Leg 14cm  x4	<b>b</b> Plastic Washer  x4
<b>c</b> Washer M8*40  x5	<b>d</b> Washer φ8*18*1.2MM  x5

# STEP 1

## HARDWARE ACCESSORY LIST

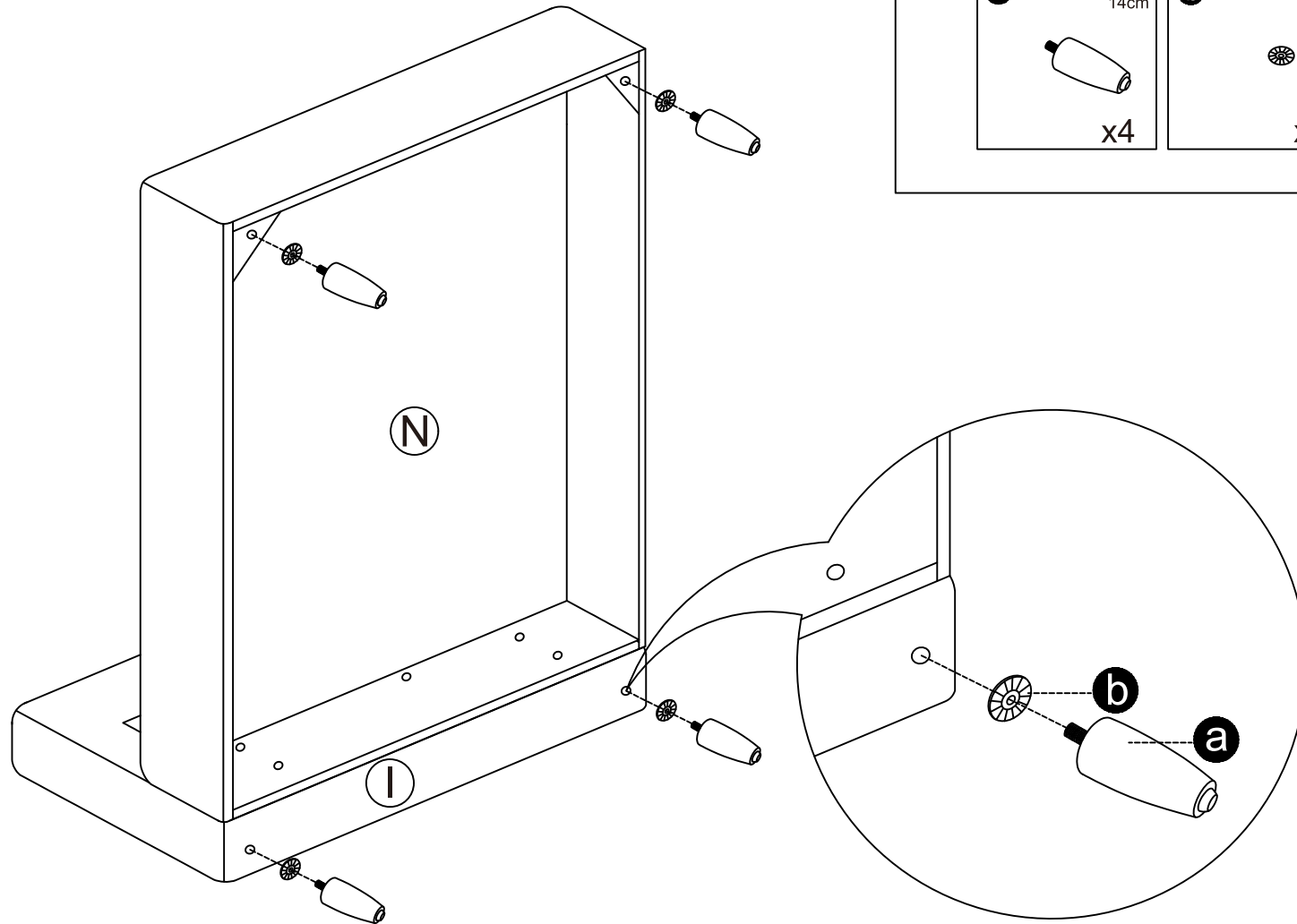
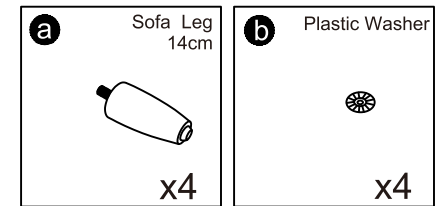
<b>c</b>	Washer M8*40	<b>d</b>	Washer φ8*18*1.2MM
			
	x5		x5



Attach the **I backrest** to the short side of the **N seat frame** by aligning the holes and securing with **C screws** and **D washers**. Tighten.

# STEP 2

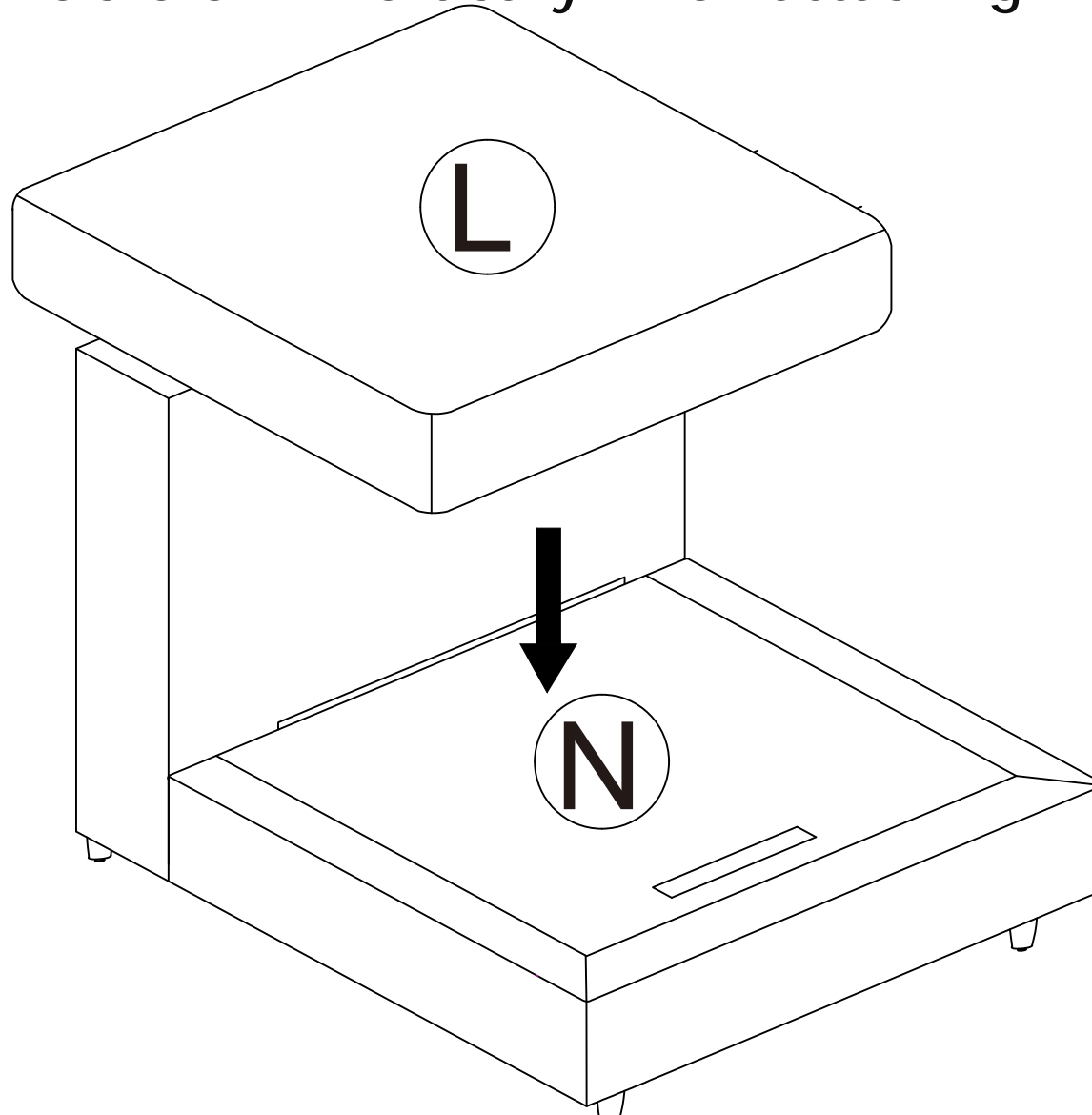
## HARDWARE ACCESSORY LIST



Screw 4 **A** wooden legs with **B** washers into the bottom of the **N** seat frame.

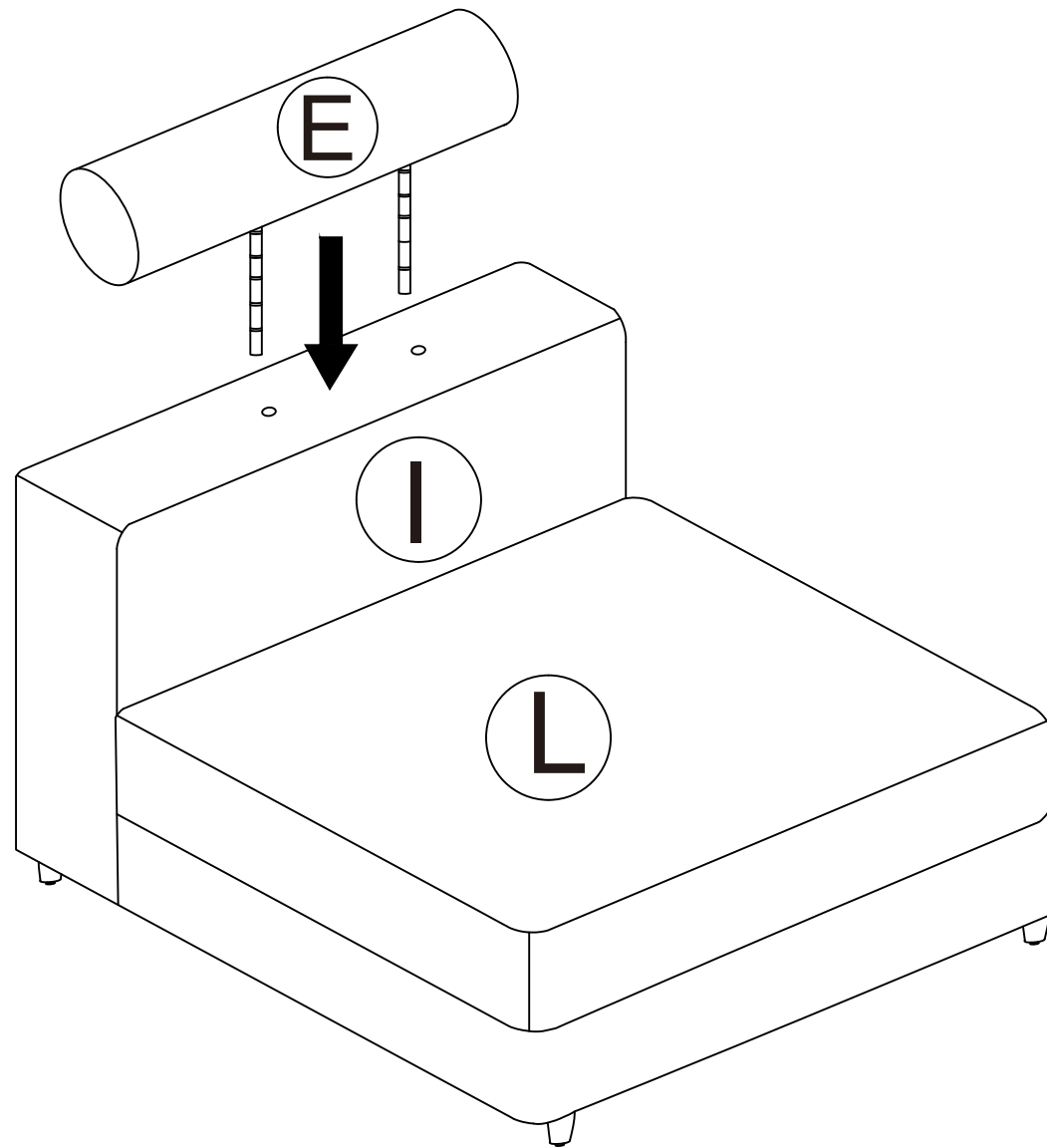
## STEP 3

Note: Ensure that the velcro on L aligns with the velcro on N vertically when attaching.



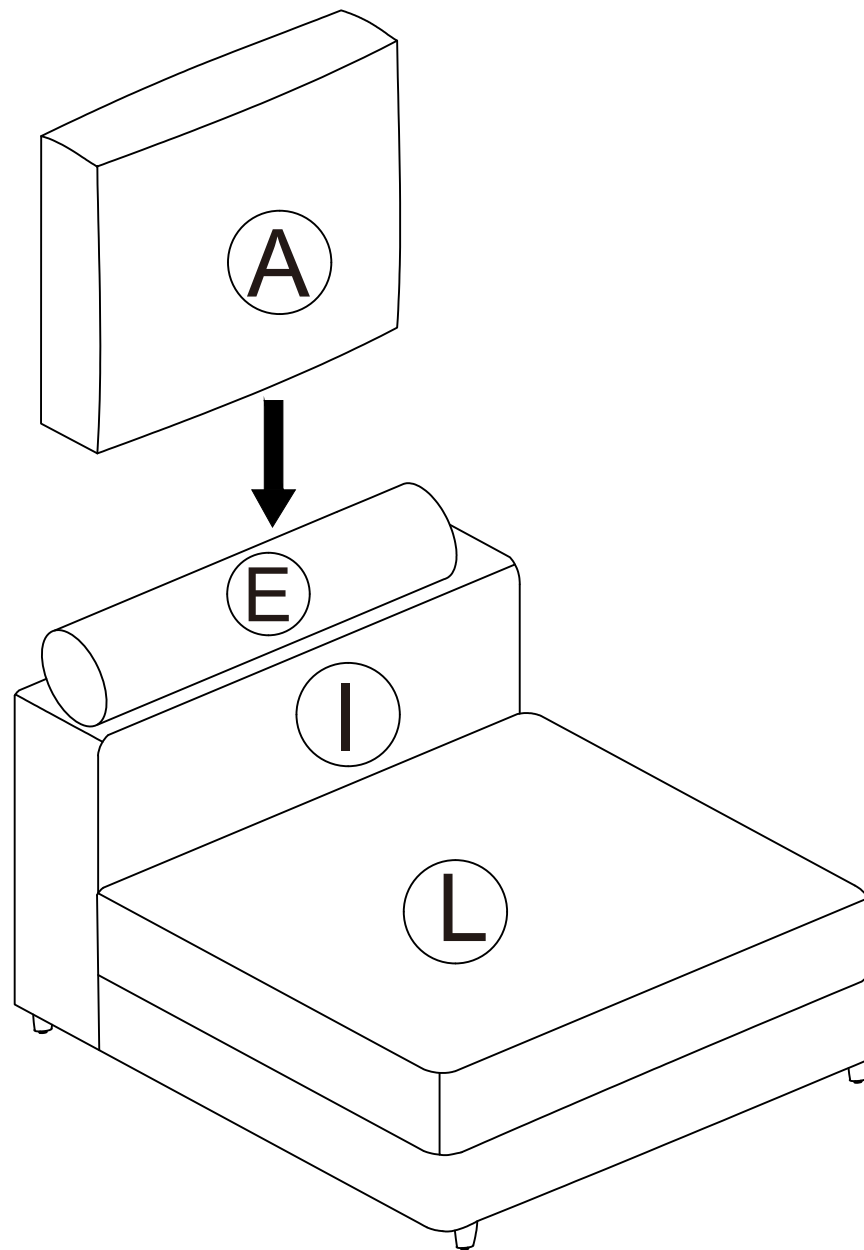
Remove the protective fabric from the velcro on the **L seat cushion** and attach it to the **N seat frame**.

## STEP 4



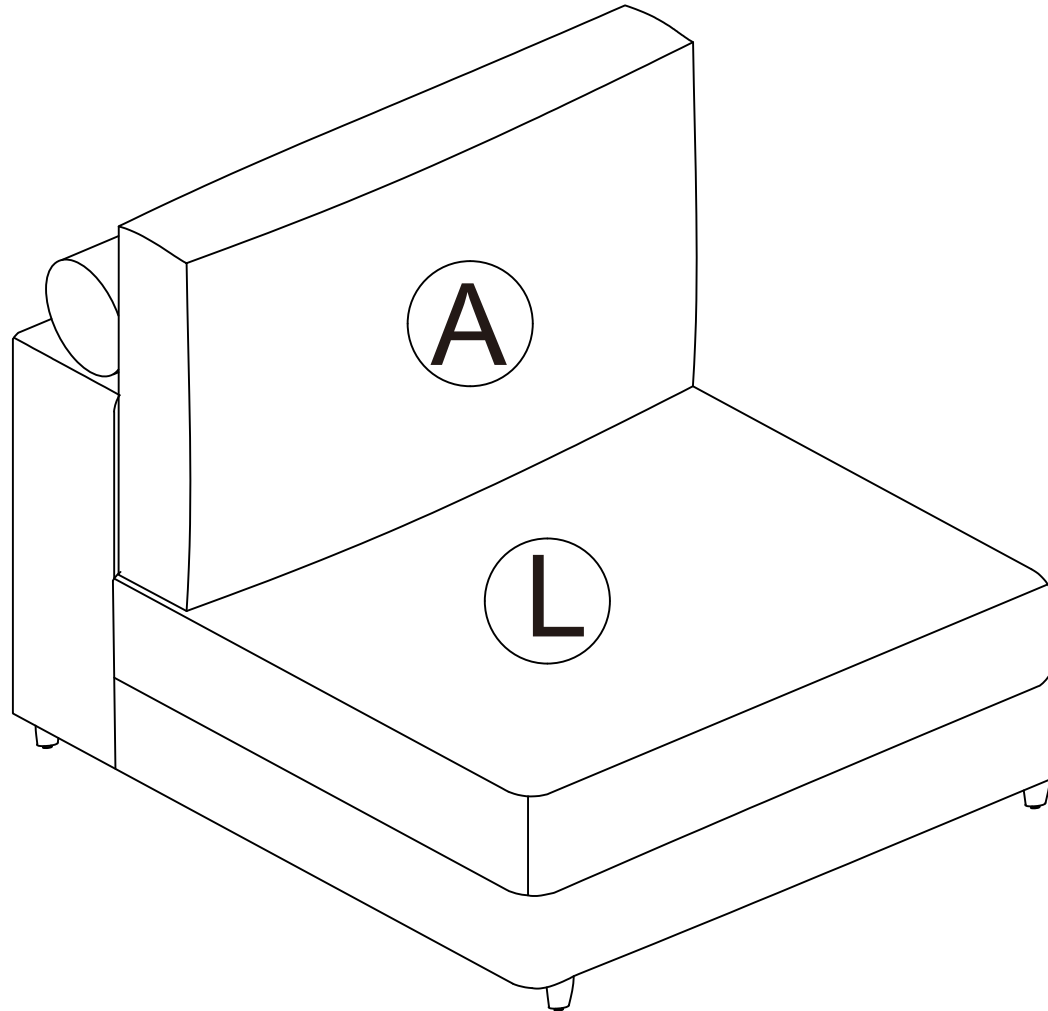
Insert the **E** pillow into the holes on the **I** backrest.

# STEP 5

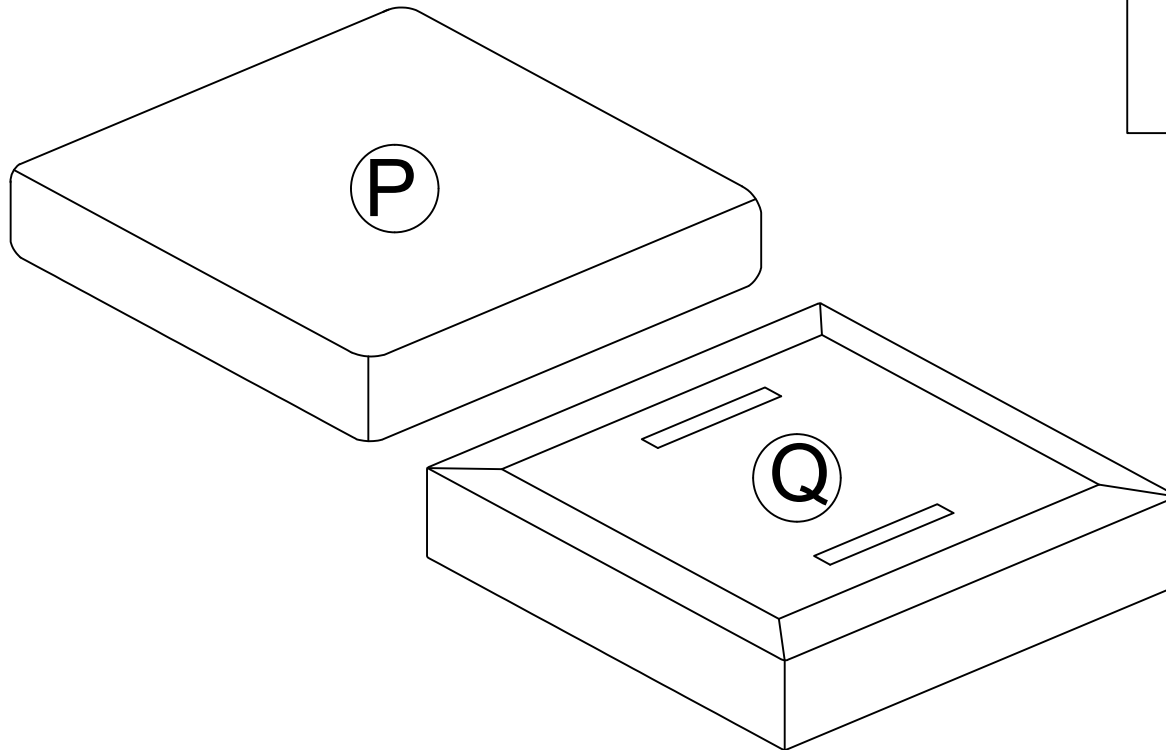


Place the **A** backrest cushion on the **I** backrest.

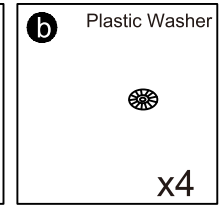
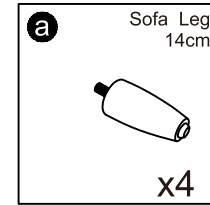
# STEP 6



# Ottoman Assembly Instructions





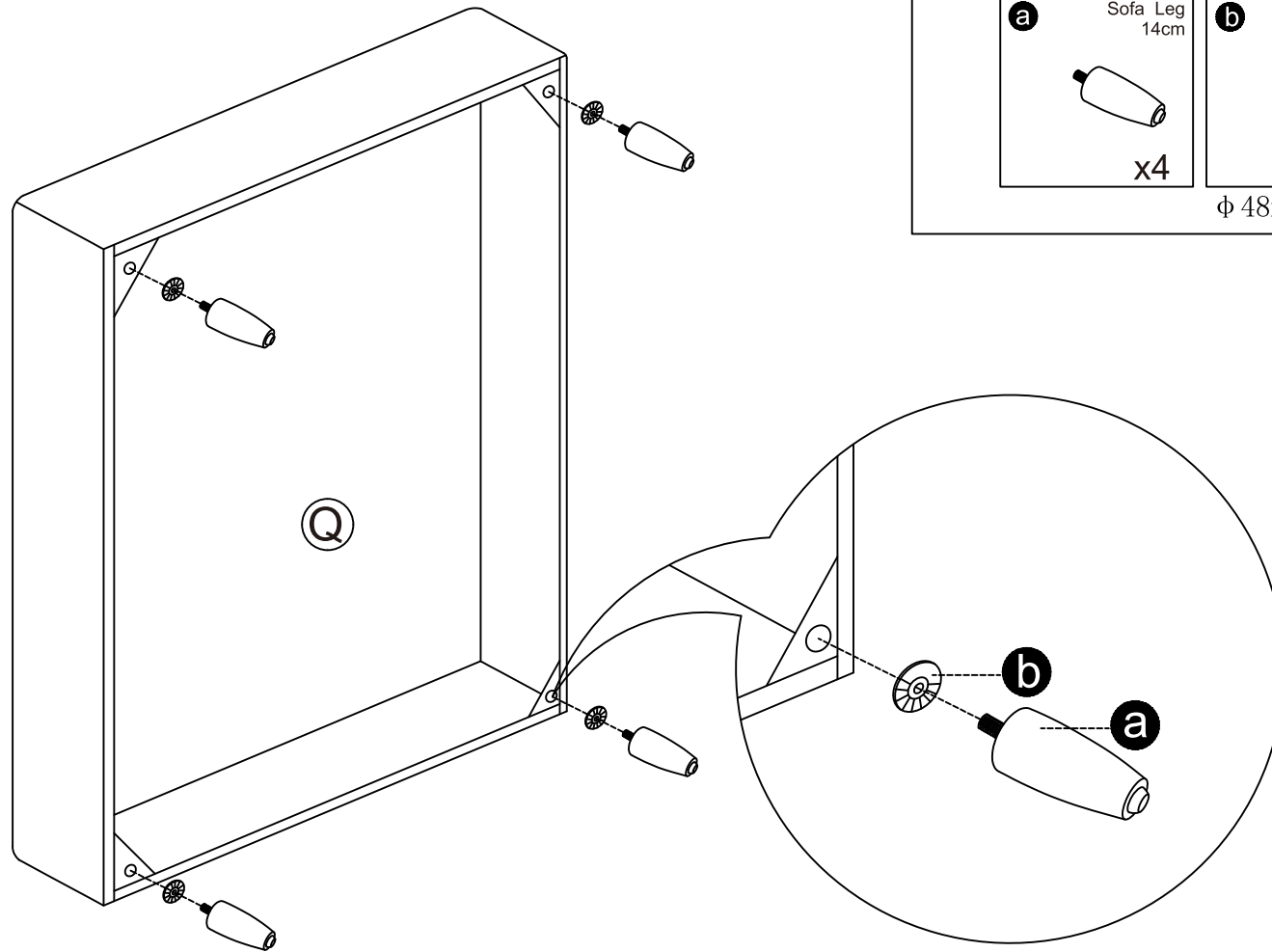
## HARDWARE ACCESSORY LIST



# STEP 1

## HARDWARE ACCESSORY LIST

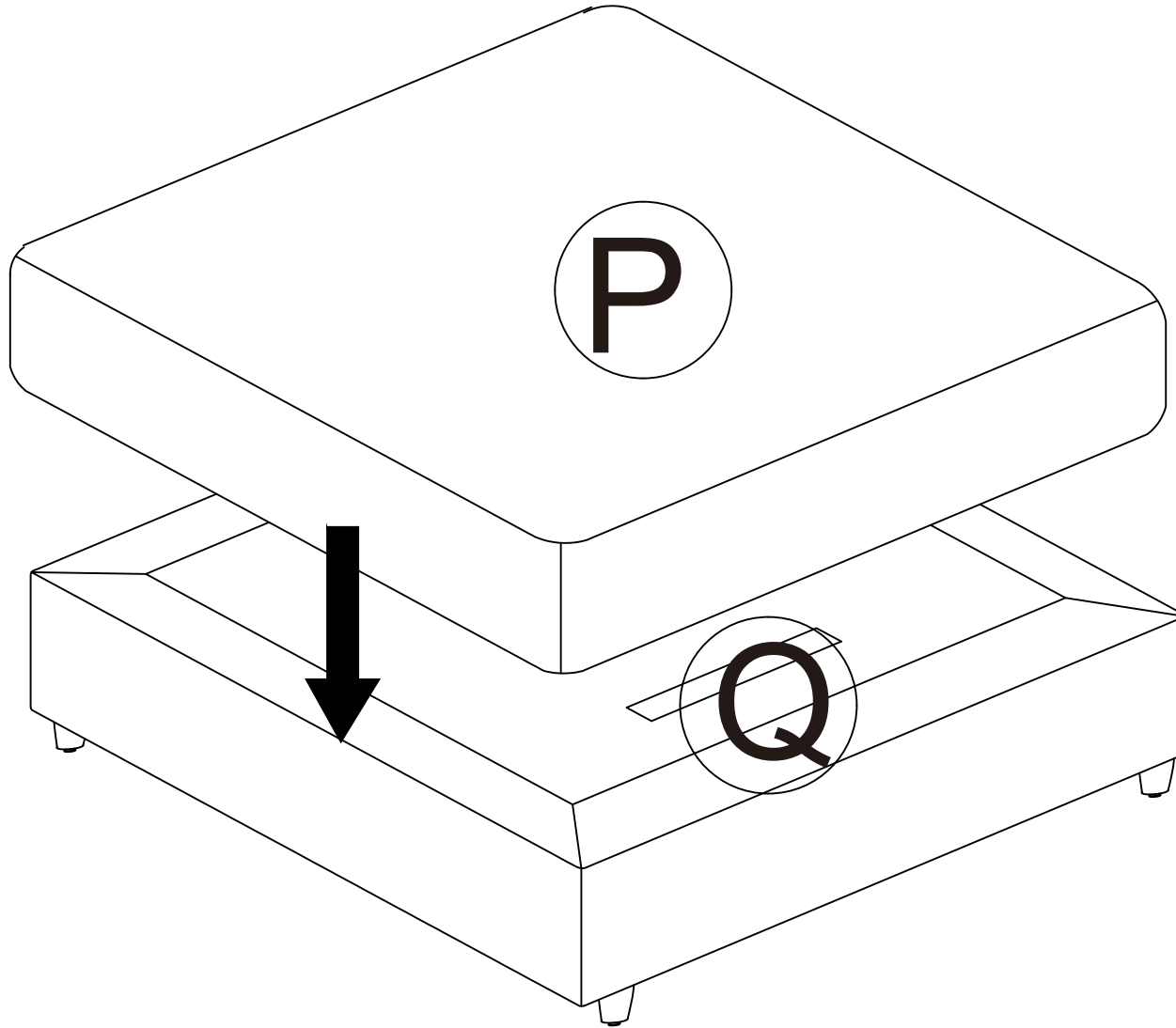
<b>a</b>	Sofa Leg 14cm	<b>b</b>	Plastic Washer
			
x4		x4	
$\phi$ 48mm*2.3mm			



Screw 4 **A** wooden legs with **B** washers into the bottom of the **Q** seat frame.

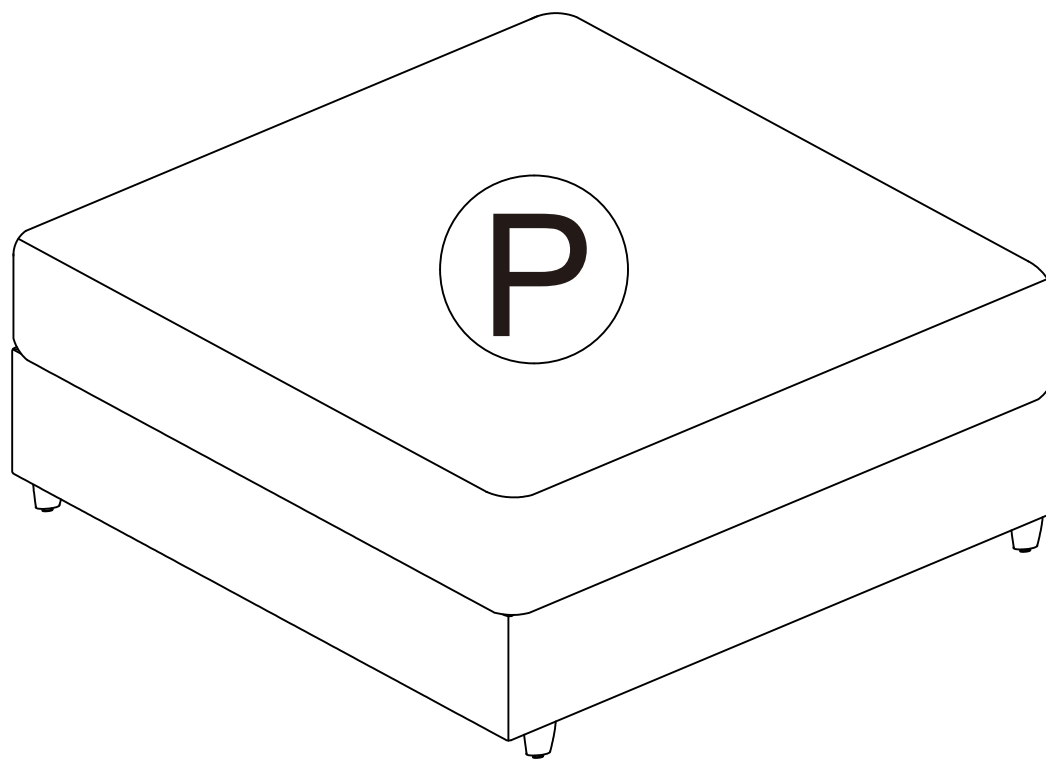
## STEP 2

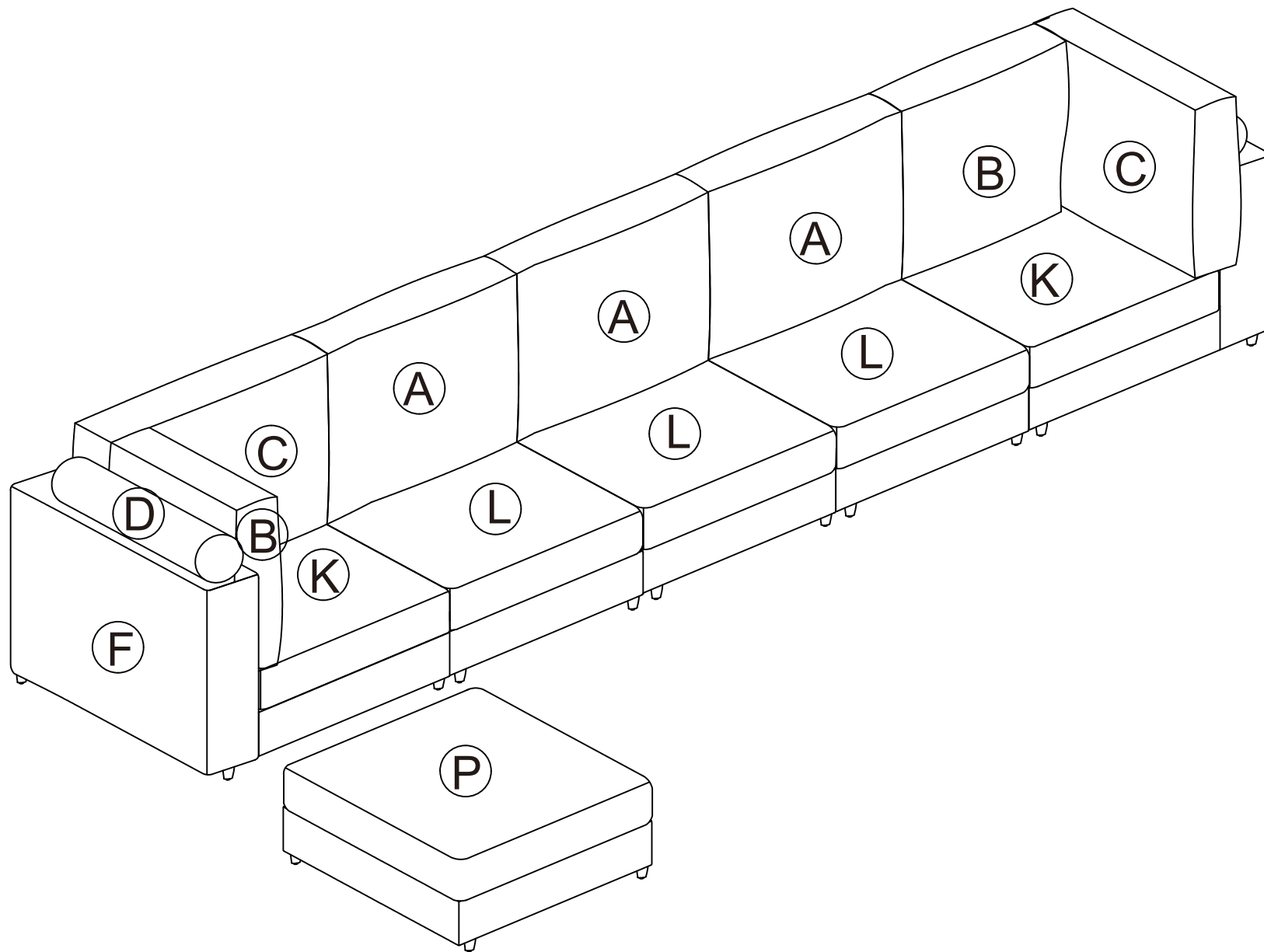
Note: Ensure that the velcro on P aligns with the velcro on Q vertically when attaching.



Remove the protective fabric from the velcro on the **P cushion** and attach it to the **Q seat frame**

STEP 3







# MAINTENANCE AND CARE

1. **Pest Protection:** Wooden furniture is vulnerable to pest infestations, especially termites. To prevent this, avoid placing furniture in damp areas or corners, as excessive moisture encourages the growth of insects and accelerates wood decay. During seasons with heavy rainfall, such as the southern rainy season, it's important to ensure proper ventilation to remove indoor moisture and keep the environment dry. Using a dehumidifier or air conditioner can help maintain dryness in the space and protect the wood.
2. **Sun Protection:** Wooden furniture should not be exposed to direct sunlight for extended periods, as UV rays can cause internal moisture to rise, leading to cracks and dryness. When choosing where to place wooden furniture, make sure to avoid direct sunlight.
3. **Keep Away from Fire:** Wooden furniture should be kept away from open flames to prevent fire hazards. Additionally, keeping furniture away from fire sources helps maintain a balance of internal and external moisture in the wood.
4. **Regular Maintenance:** Over time, the oil on the surface of wooden furniture will gradually evaporate. To maintain its appearance and extend its lifespan, regularly apply furniture oil or polish to replenish the oil and protect the wood.
5. **Regular Cleaning:** Regular cleaning is important to prevent bacteria from accumulating. Use a vacuum cleaner to remove dust from under beds and furniture to keep the environment clean and hygienic.