

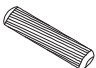





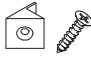

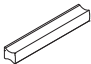




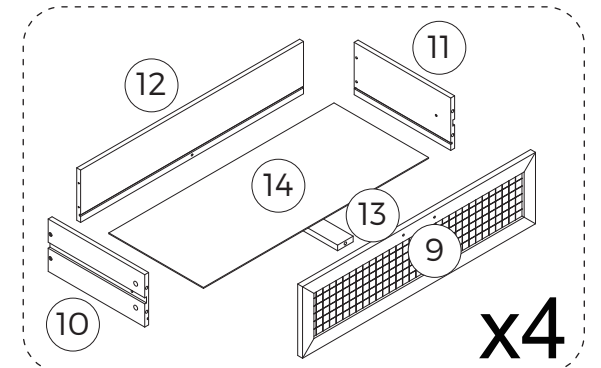
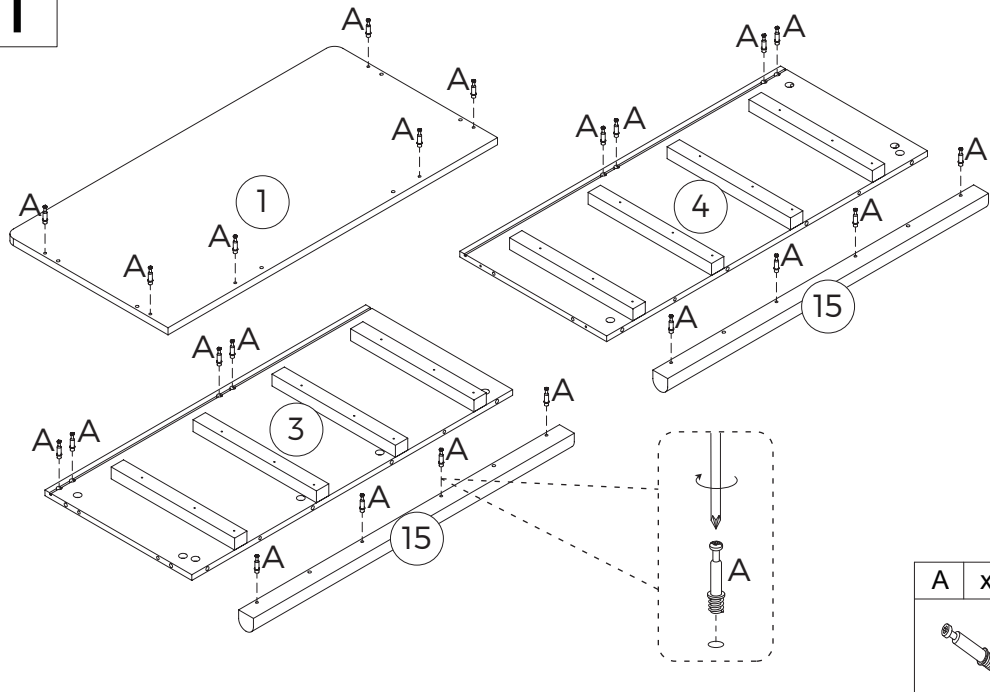


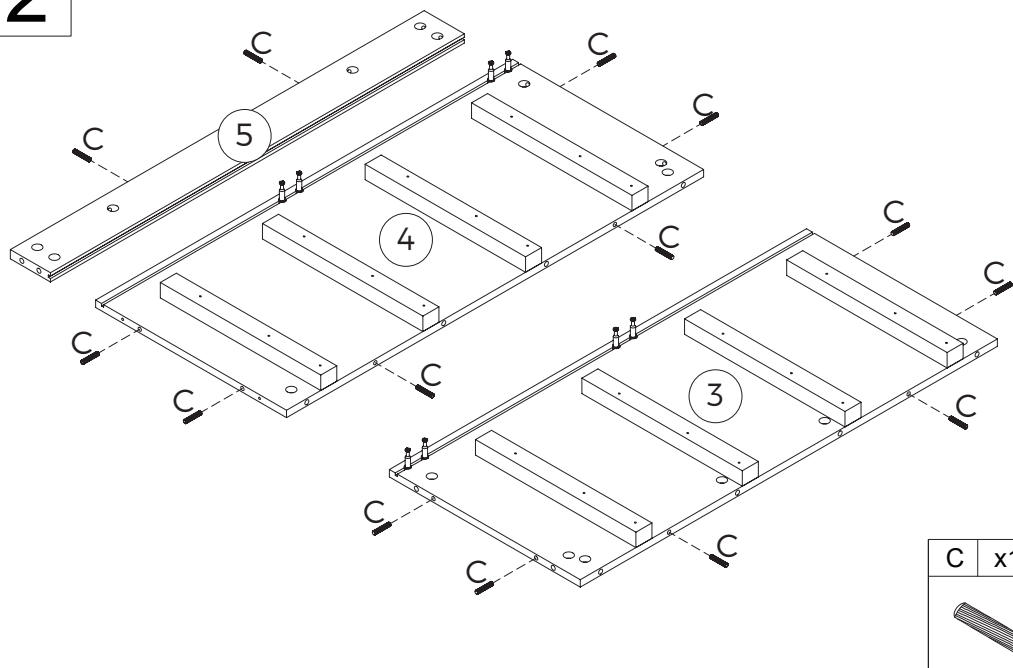
A	x42	B	x42	C	x14	D	x24	E	x8	F	x24	G	x2
													
			4x40mm	278mm	3x12mm	4x30mm							
H	x4	I	x20	J	x8	K	x4	L	x8	M	x2	N	x2
													
	3x14mm	4x18mm		4x11mm		4x14mm							
O	x2												
													



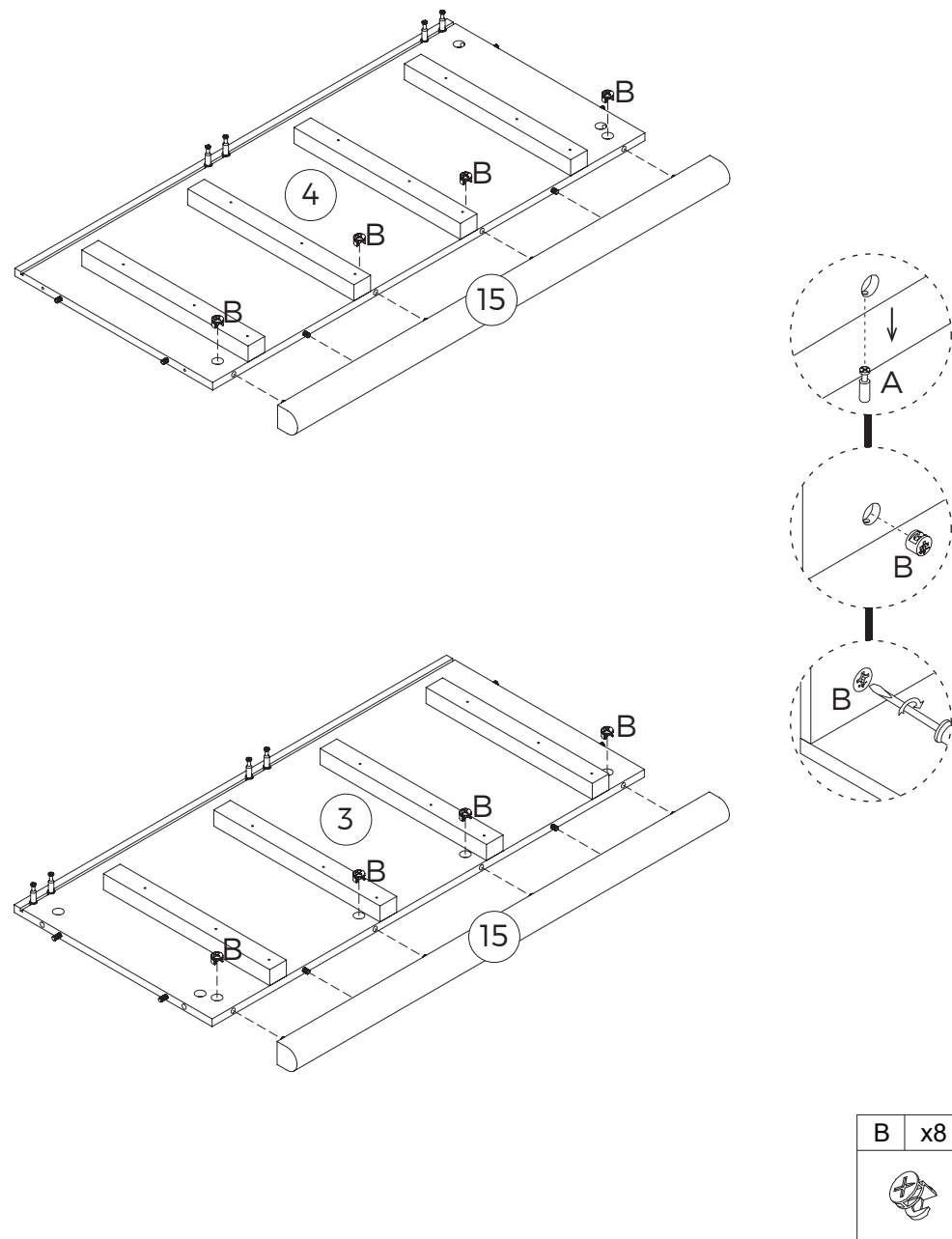
1



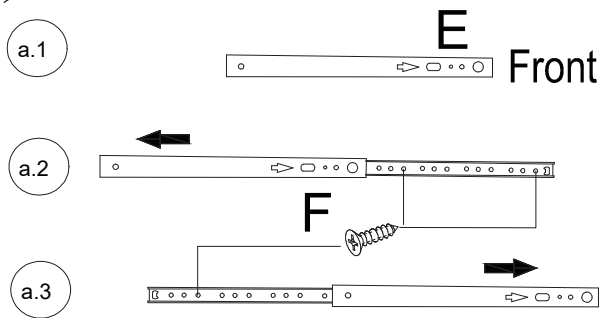
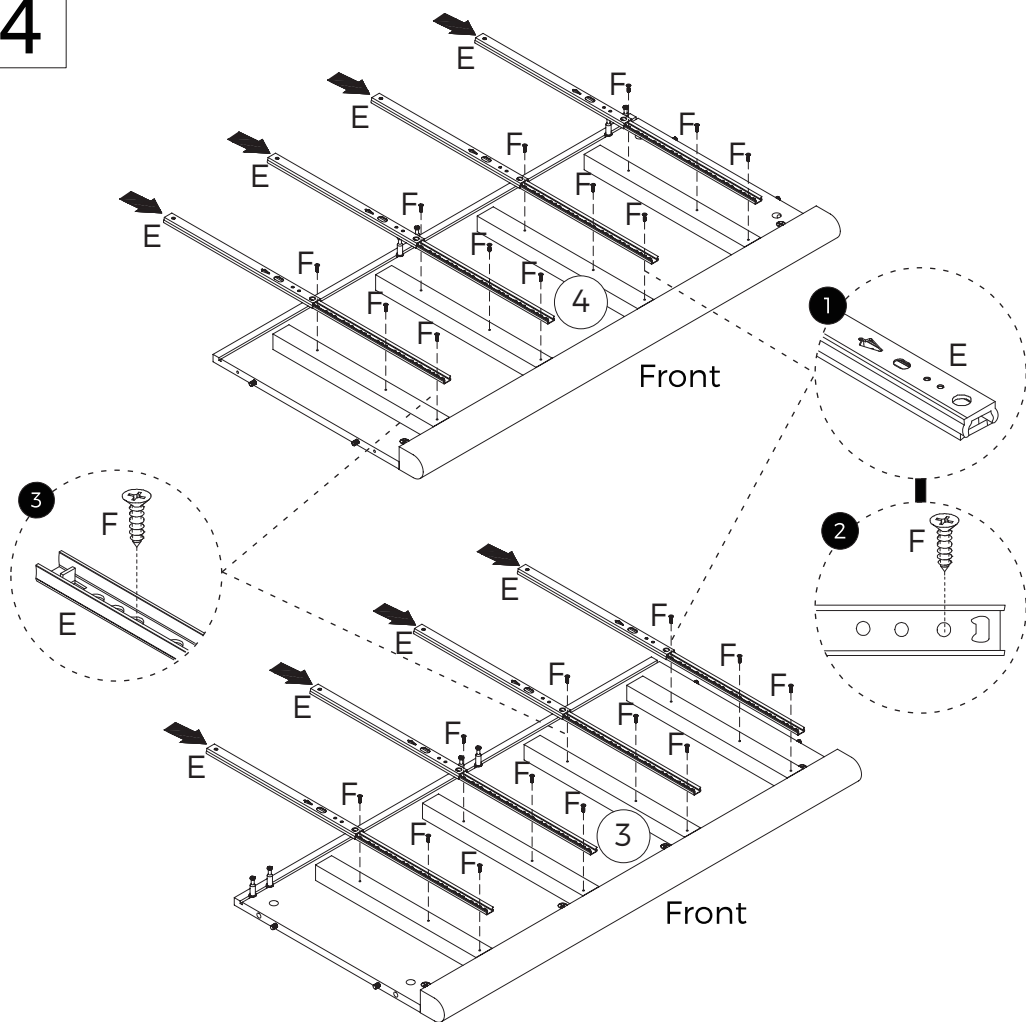
2



3

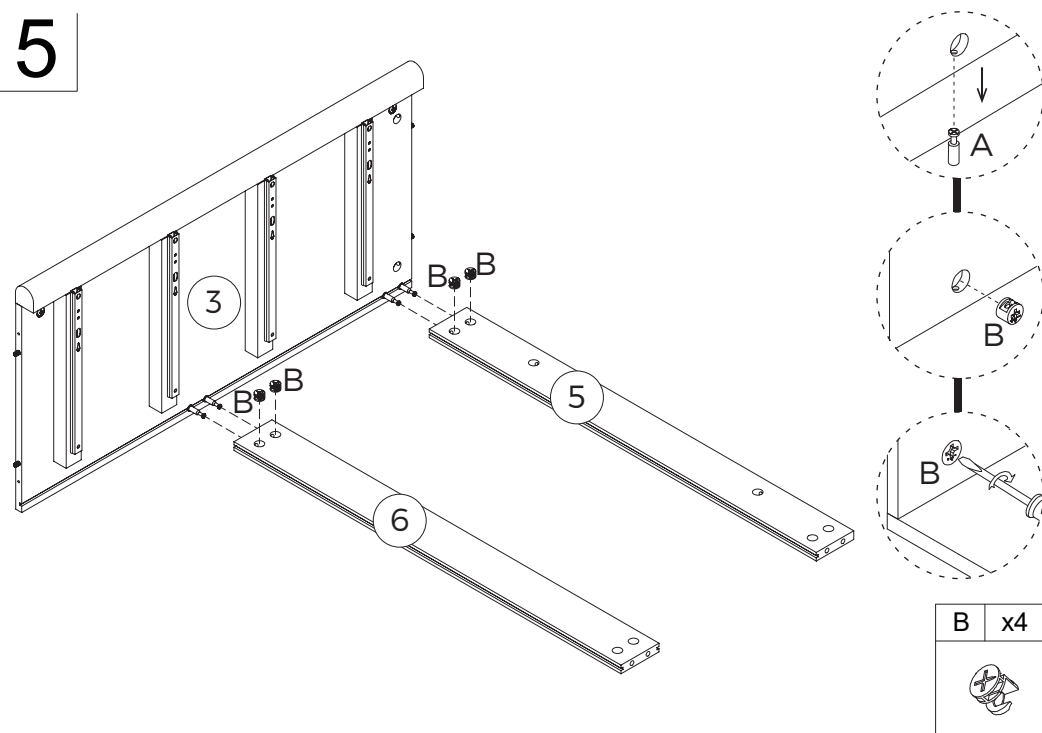


4



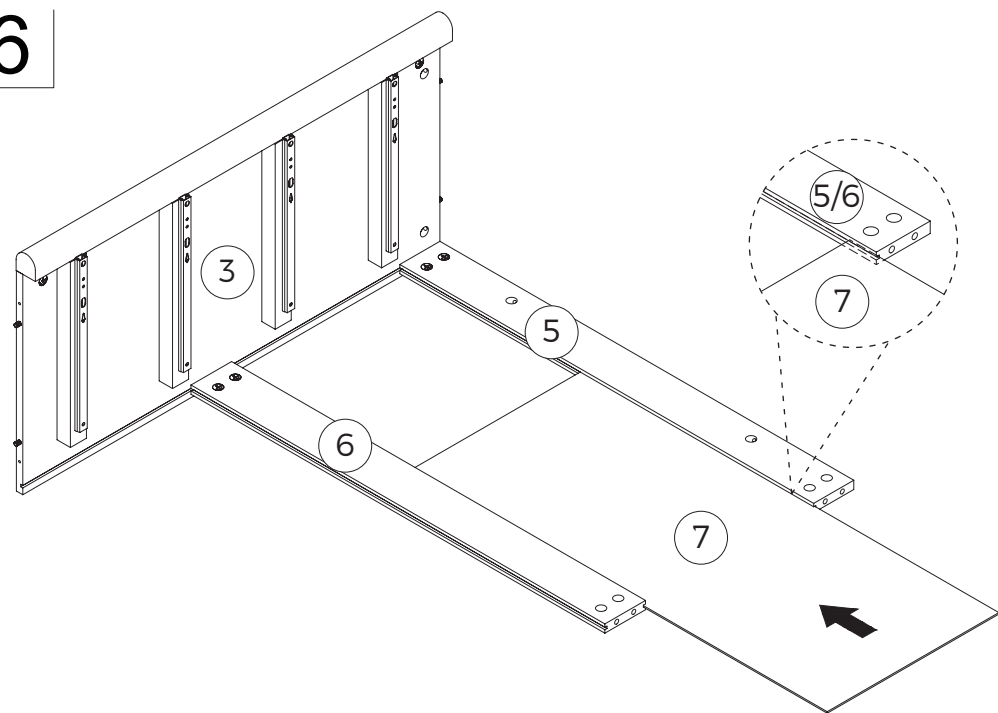
E	x8	F	x24
278mm		3x12mm	

5

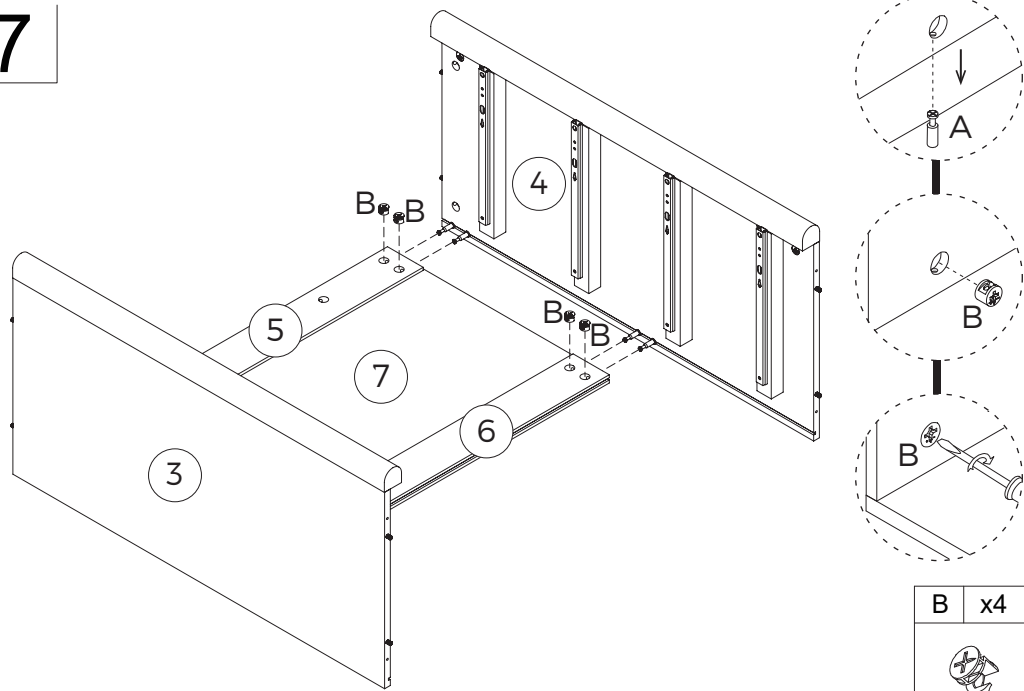


B	x4


6



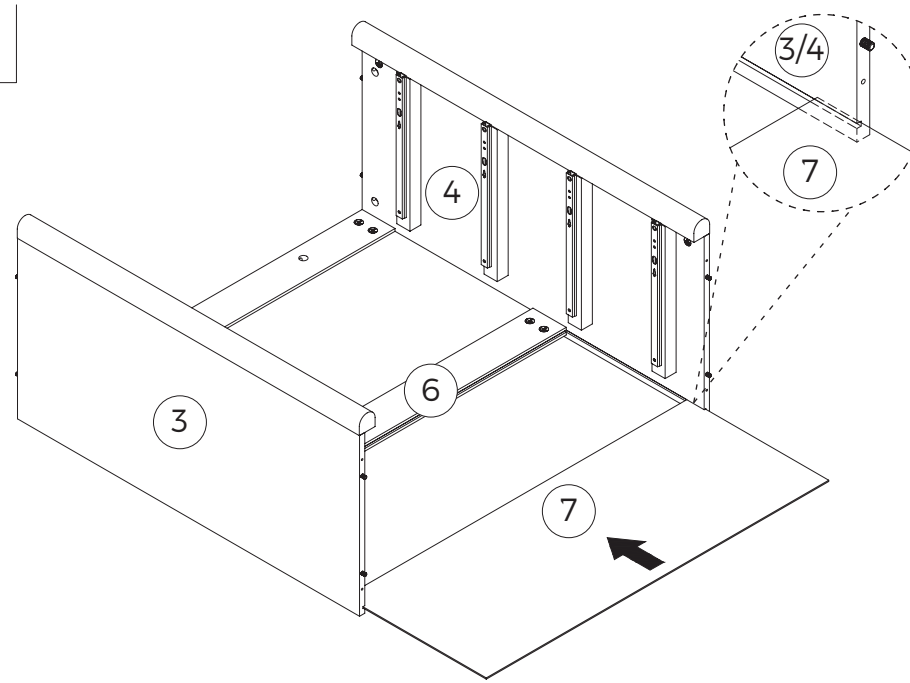
7



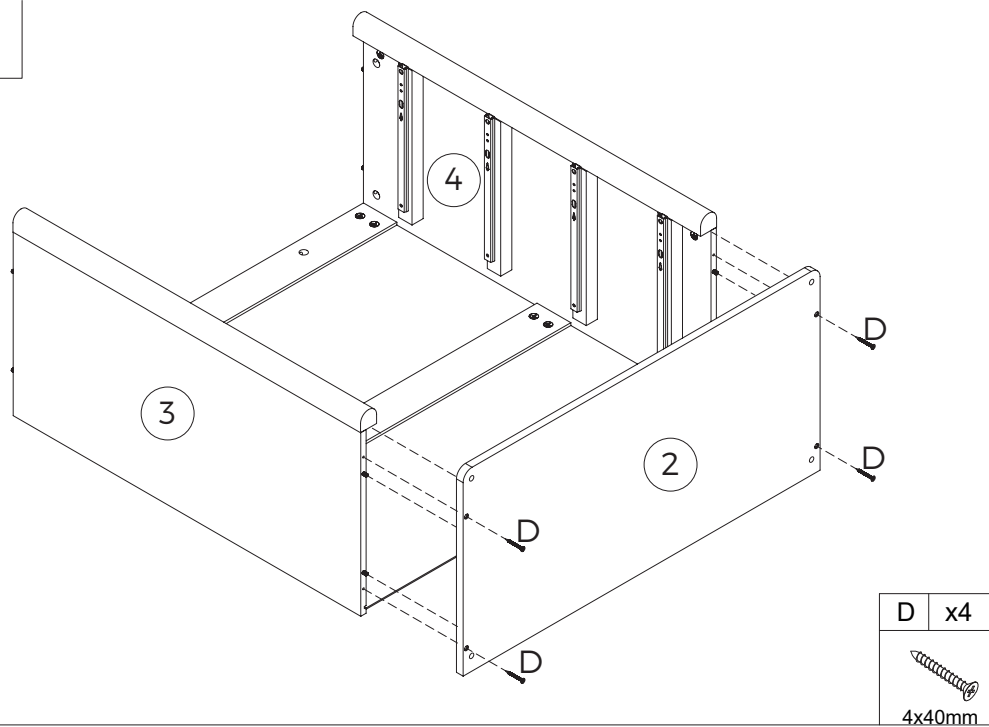
B x4




8



9

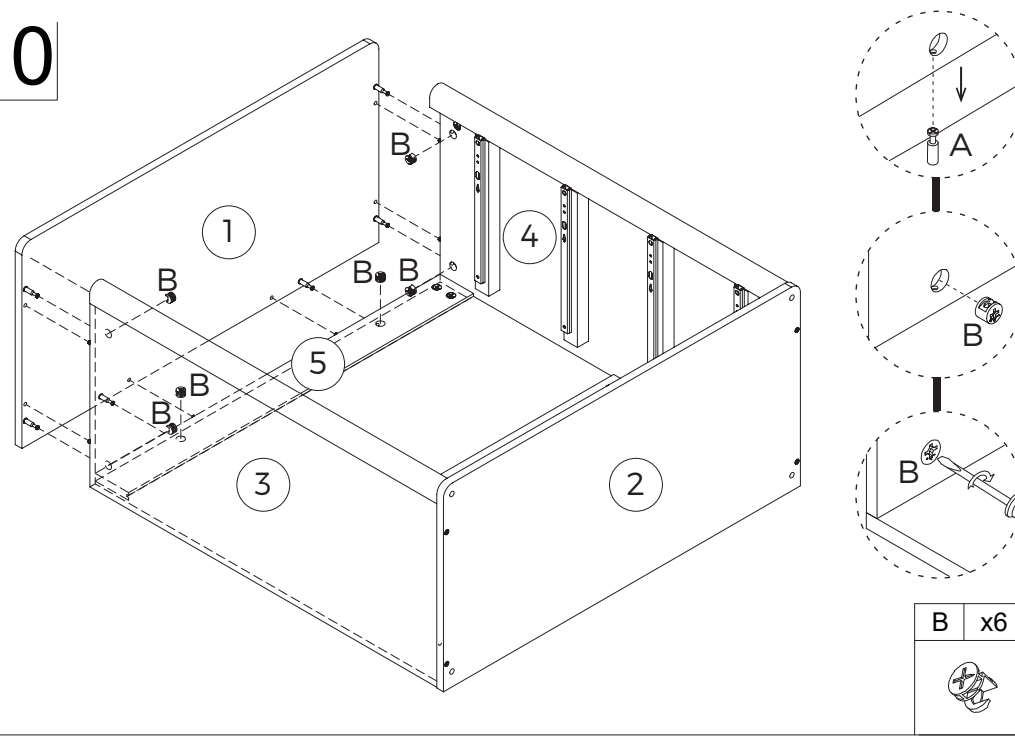


D x4




4x40mm

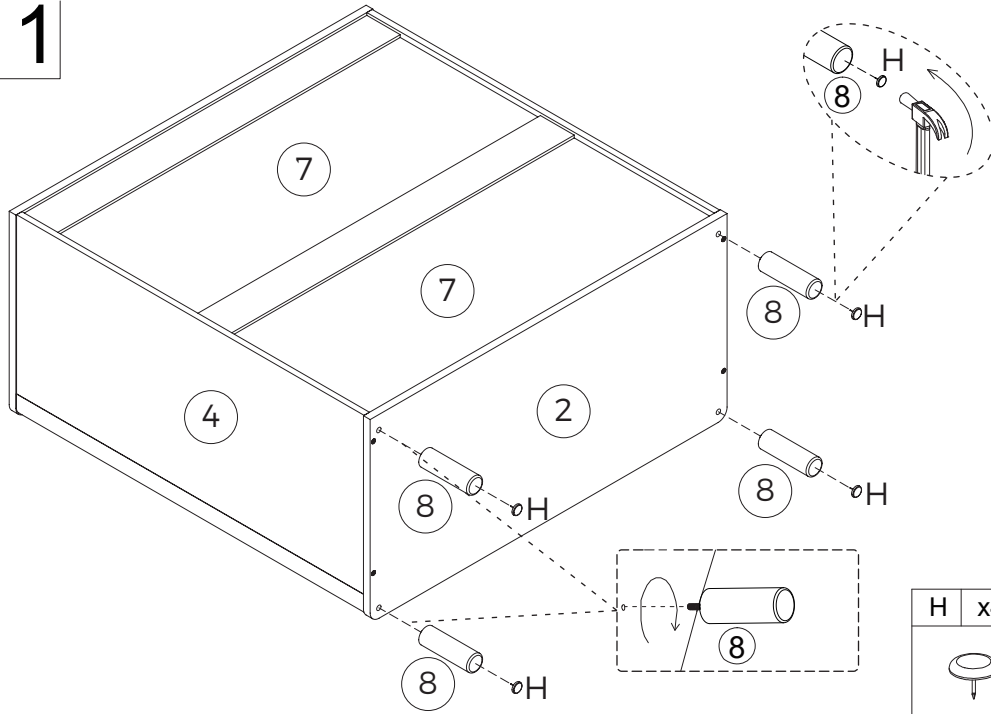
10



B x6

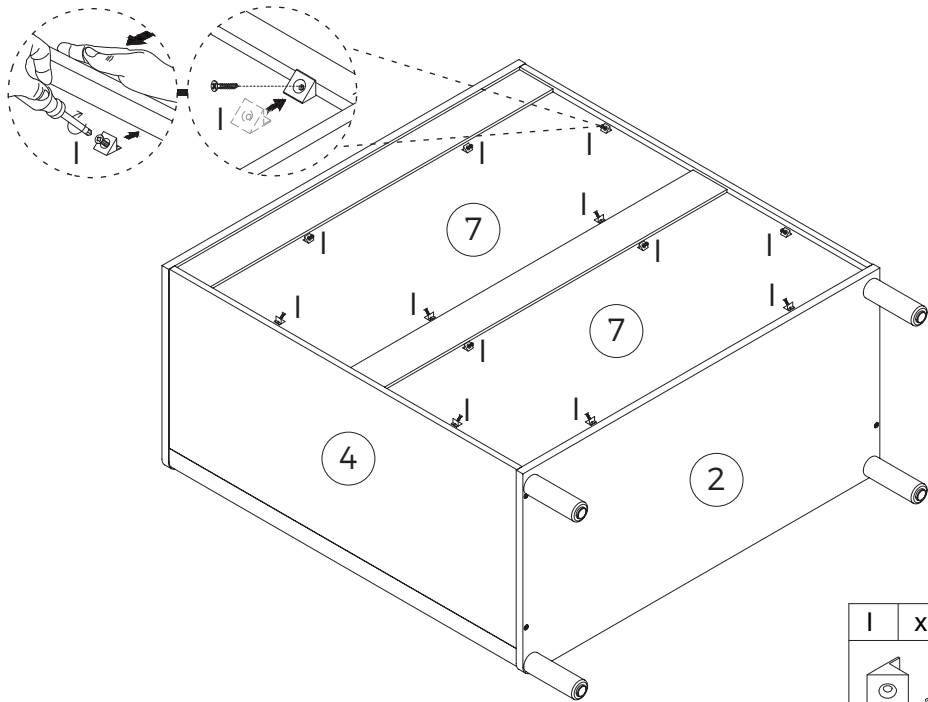


11



H	x4
---	----

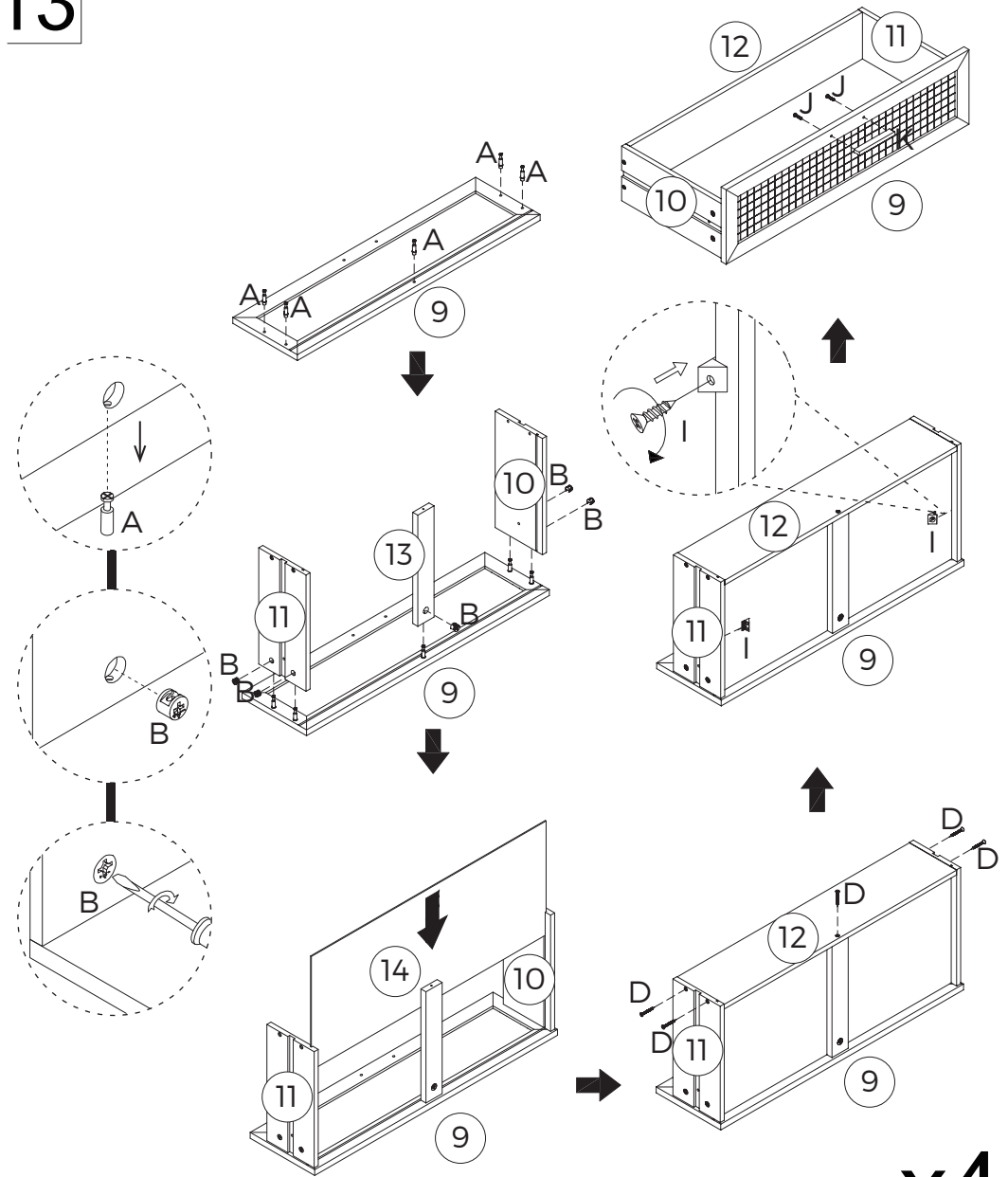
12



I	x12
---	-----

3x14mm

13

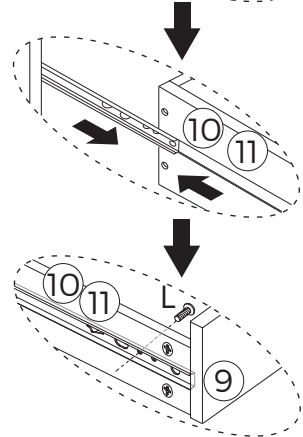
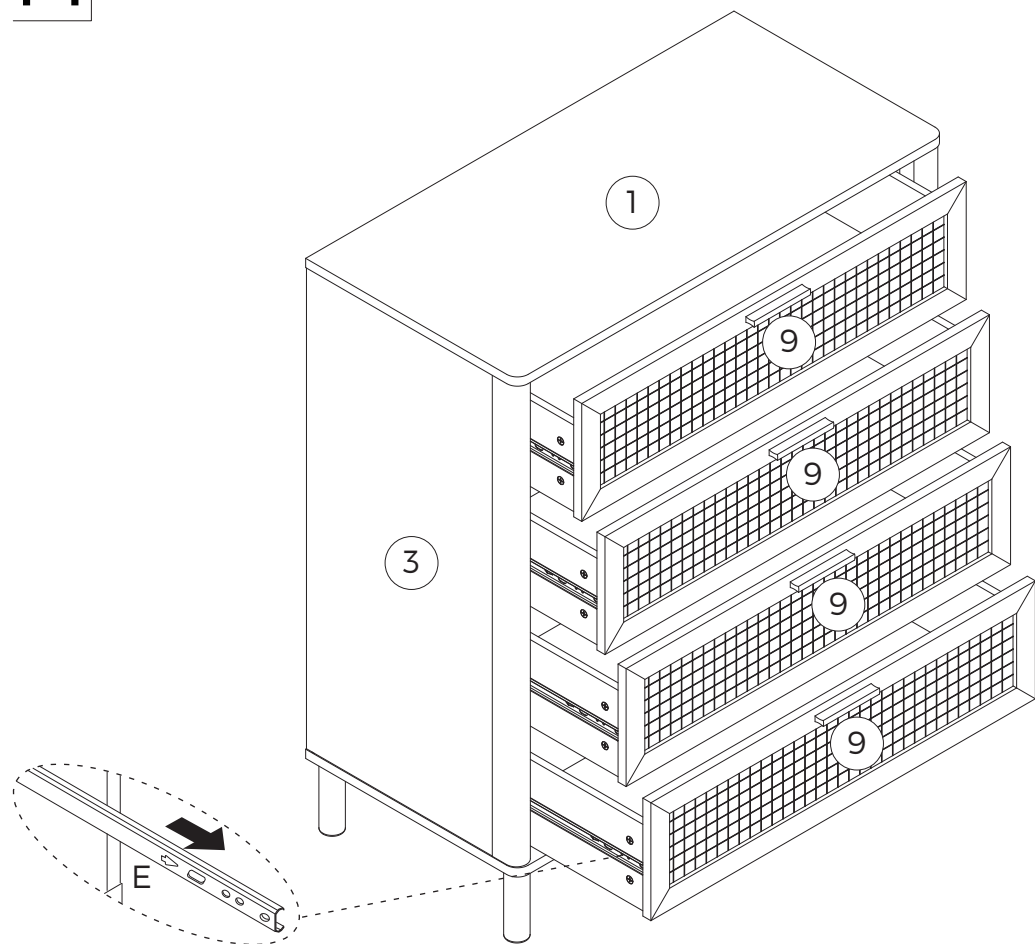



A	x20	B	x20	D	x20	I	x8	J	x8	K	x4
---	-----	---	-----	---	-----	---	----	---	----	---	----



x4

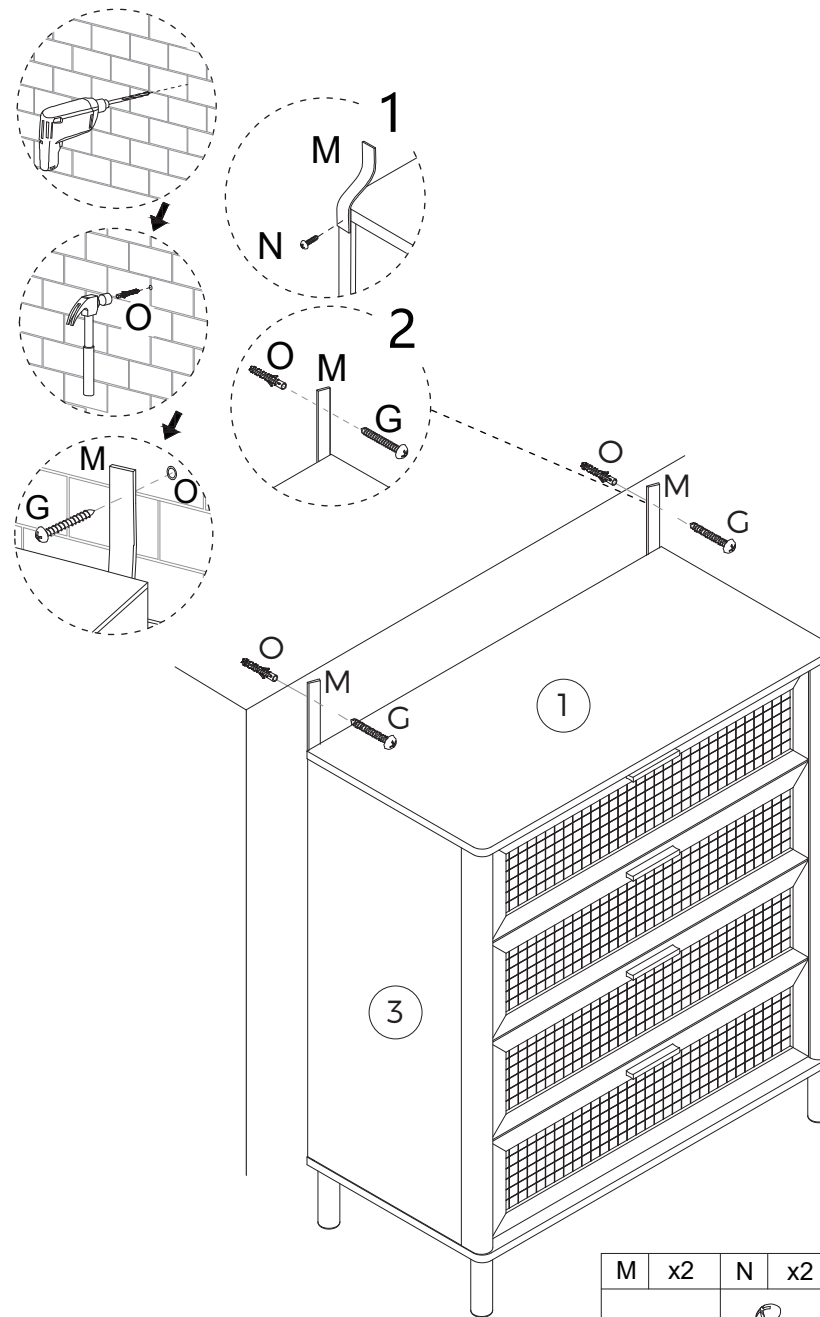
14







L	x8
	
4x11mm	

15

Pre-drill hole in wall



M	x2	N	x2	O	x2	G	x2
							
		4x14mm				4x30mm	