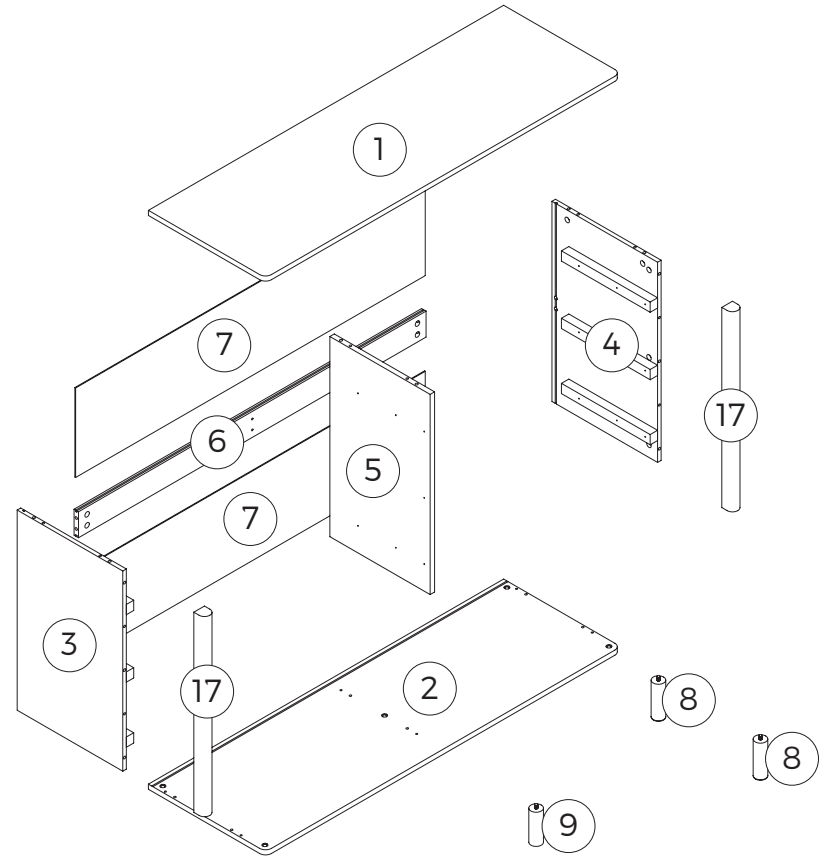
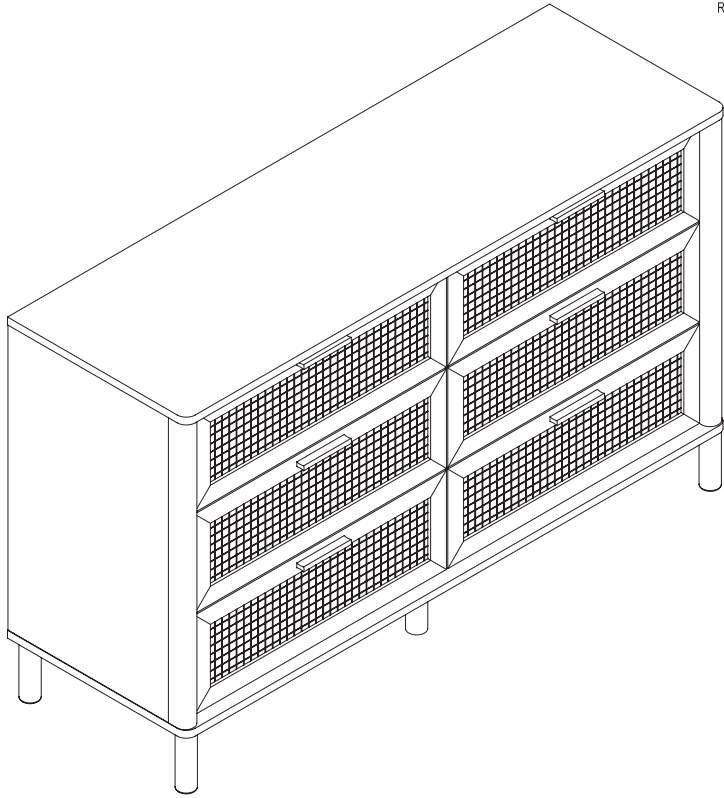
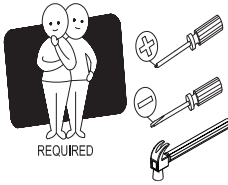
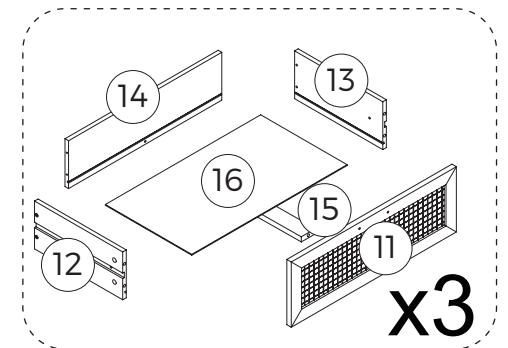
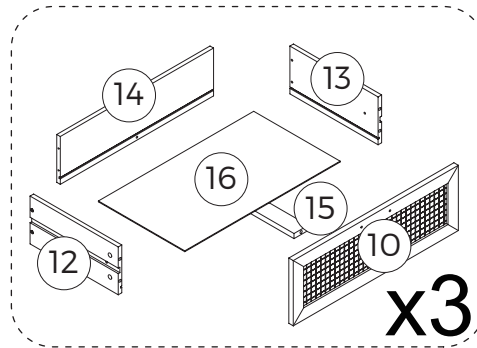


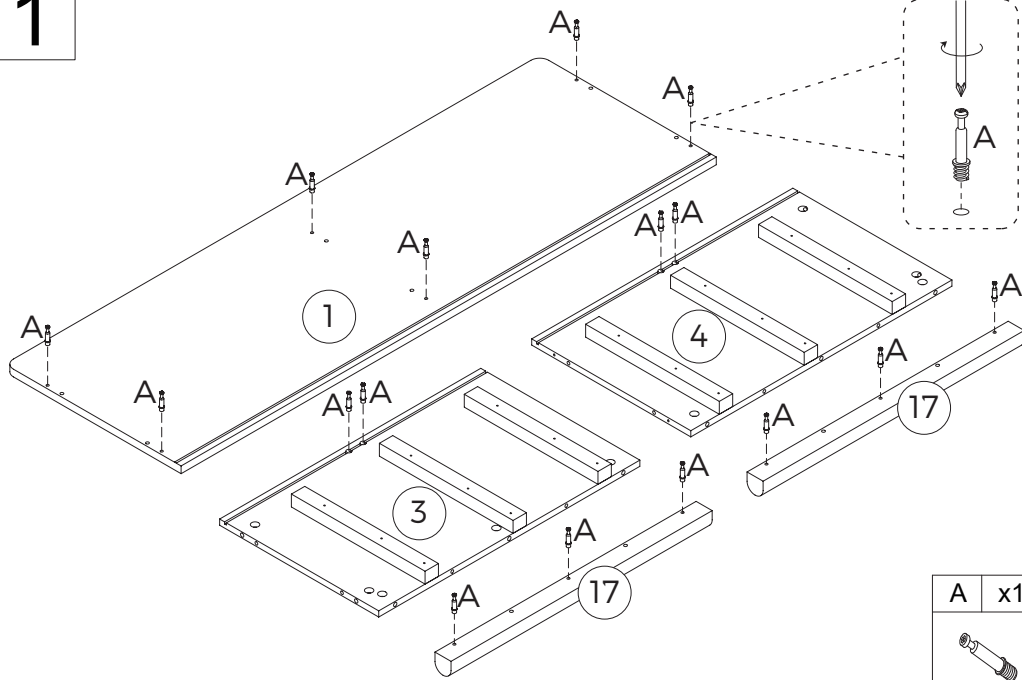
TWO PEOPLE



A	x46	B	x46	C	x16	D	x38	E	x12	F	x36	G	x1
7x35mm	15x9.3mm	Ø6x30mm	M4x40mm	278mm	M3x12mm								
H	x4	I	x24	J	x12	K	x6	L	x12	M	x2	N	x2
	M3x14mm	M4x18mm		M4x11mm		M4x14mm							
O	x2	P	x2										
	M4x30mm												



1

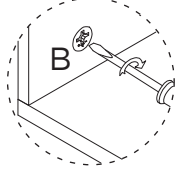
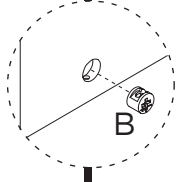
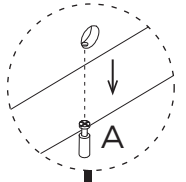
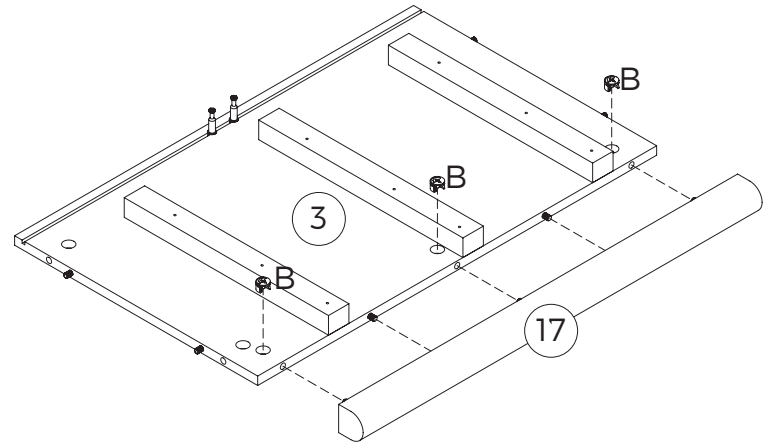


A x16

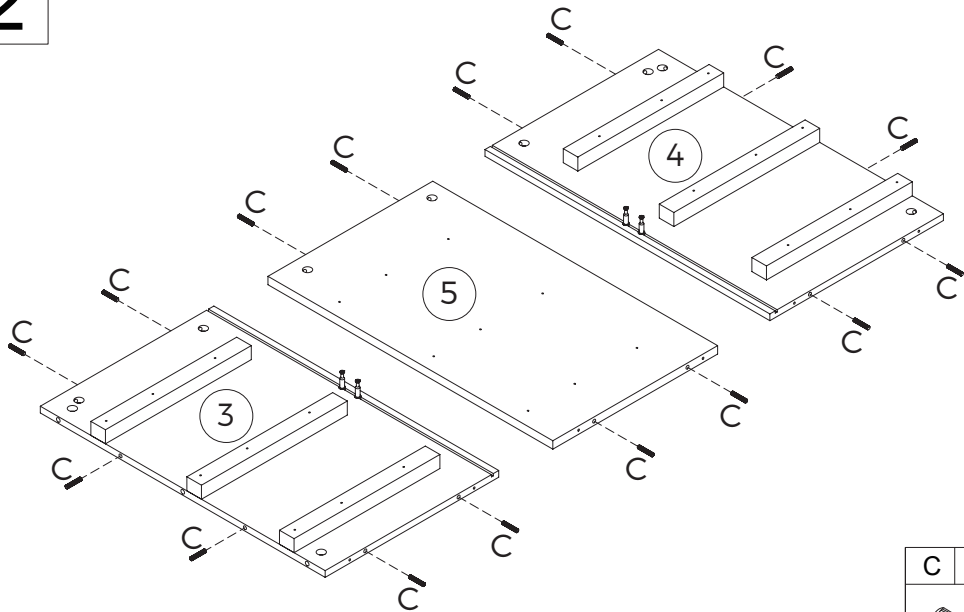


7x35mm

3



2



C x16



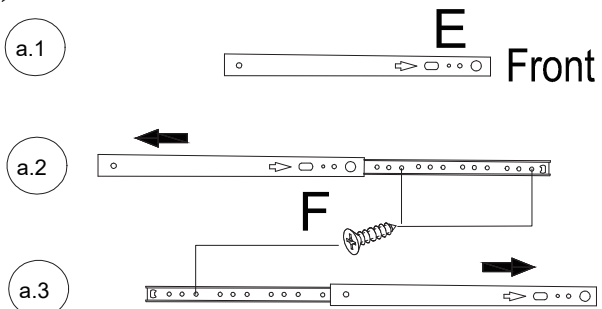
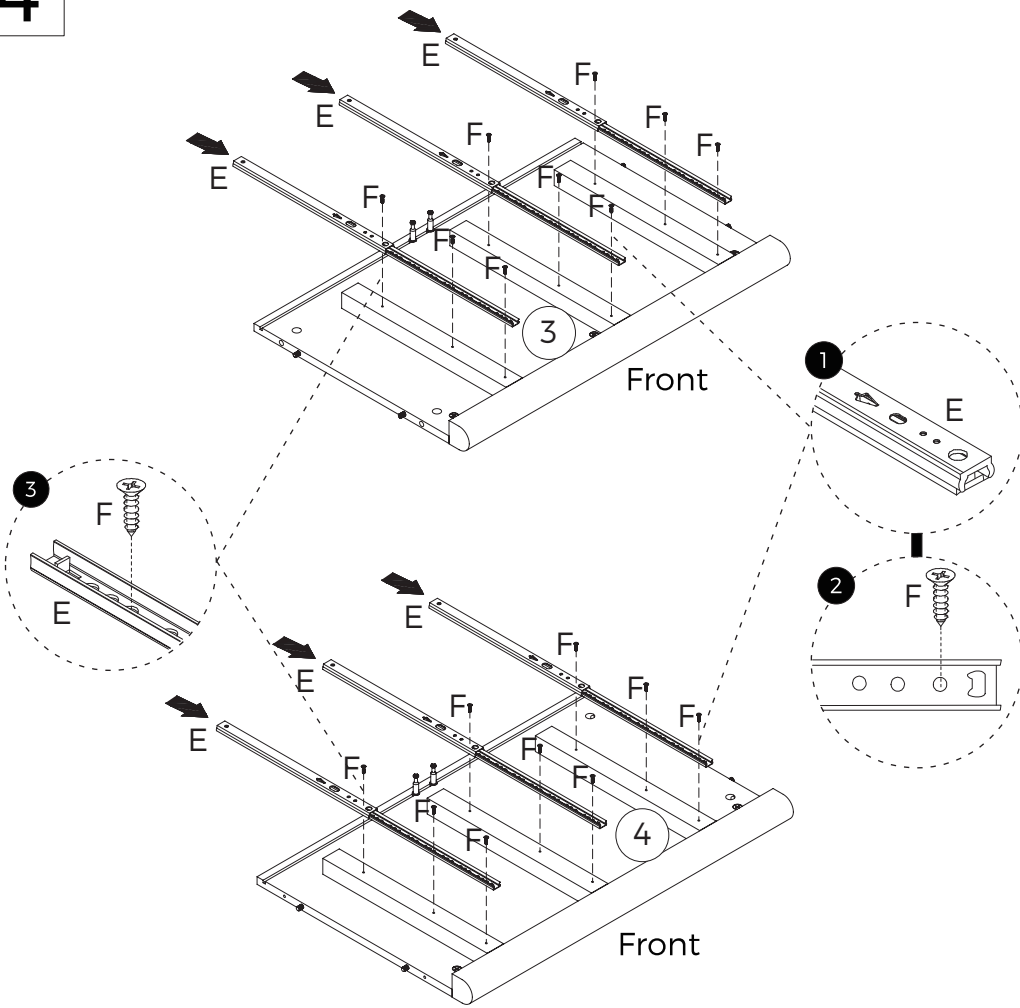
Ø6x30mm

B x6



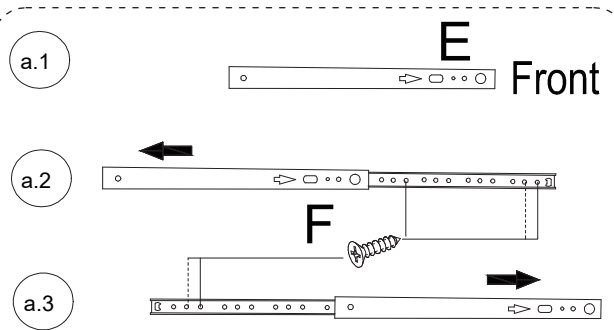
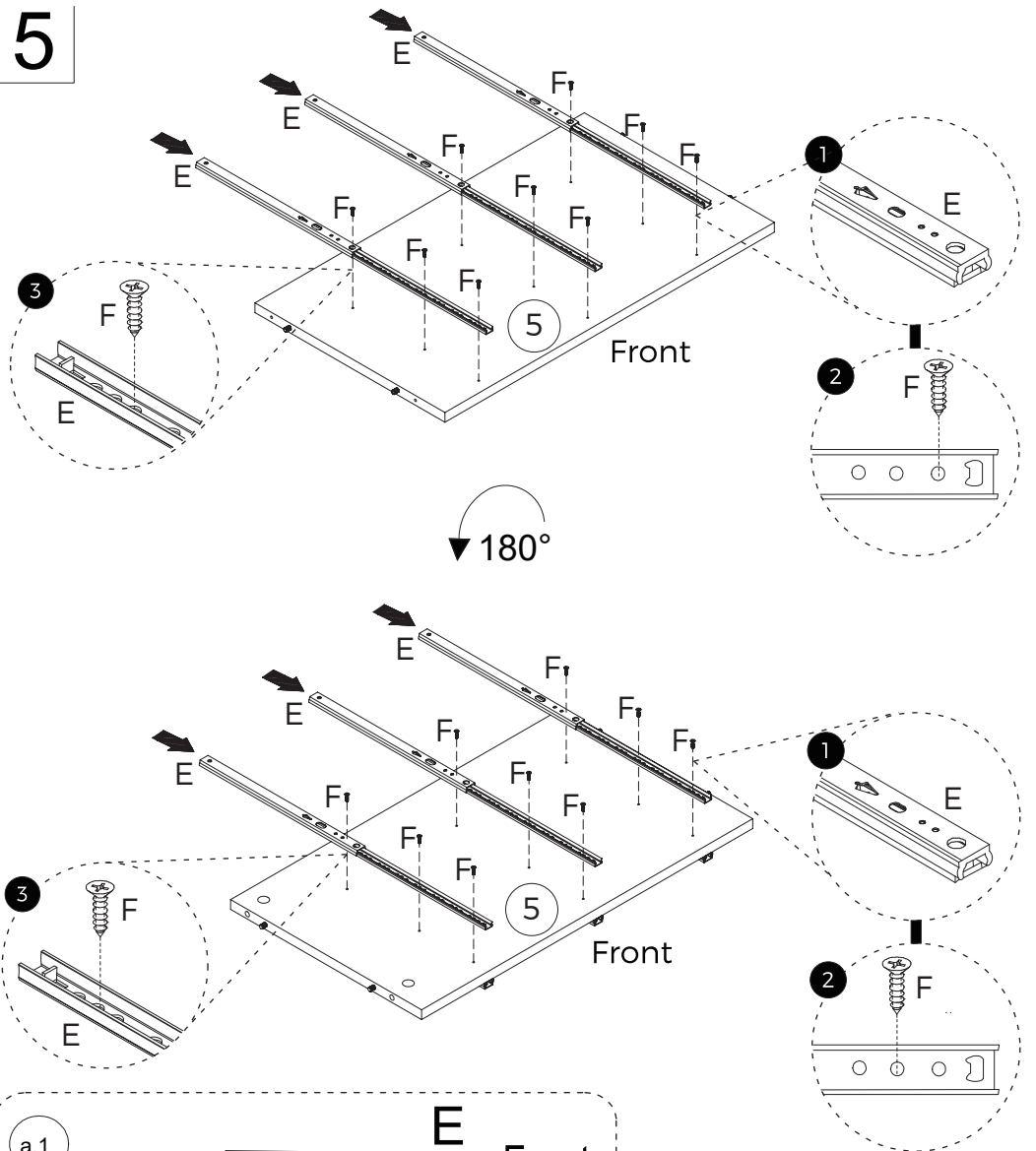
15x9.3mm

4



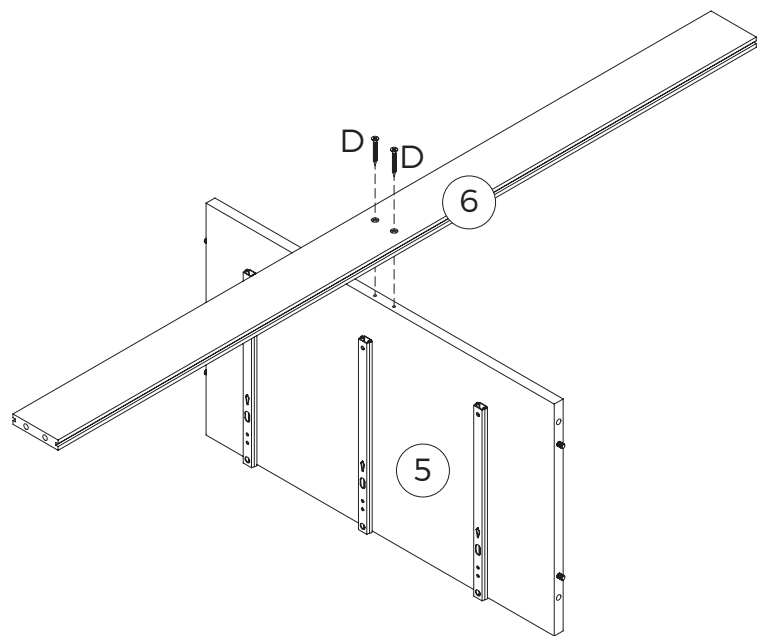
E	x6	F	x18
278mm		M3x12mm	

5



E	x6	F	x18
278mm		M3x12mm	

6

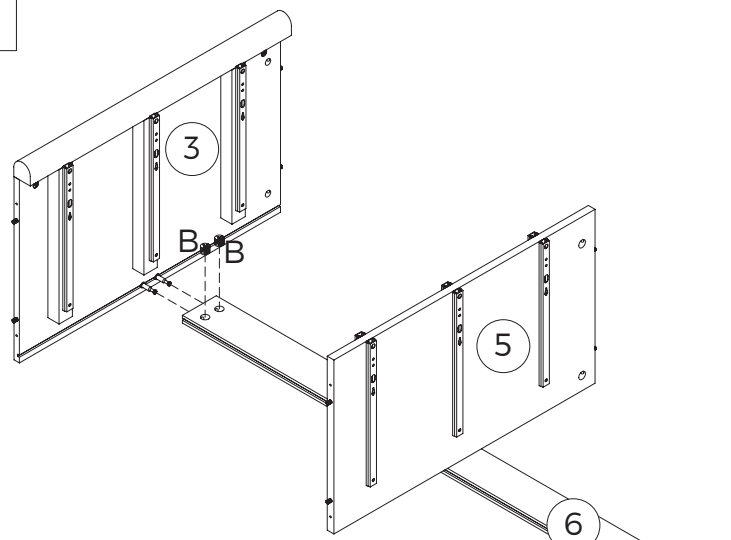


D x2



M4x40mm

7

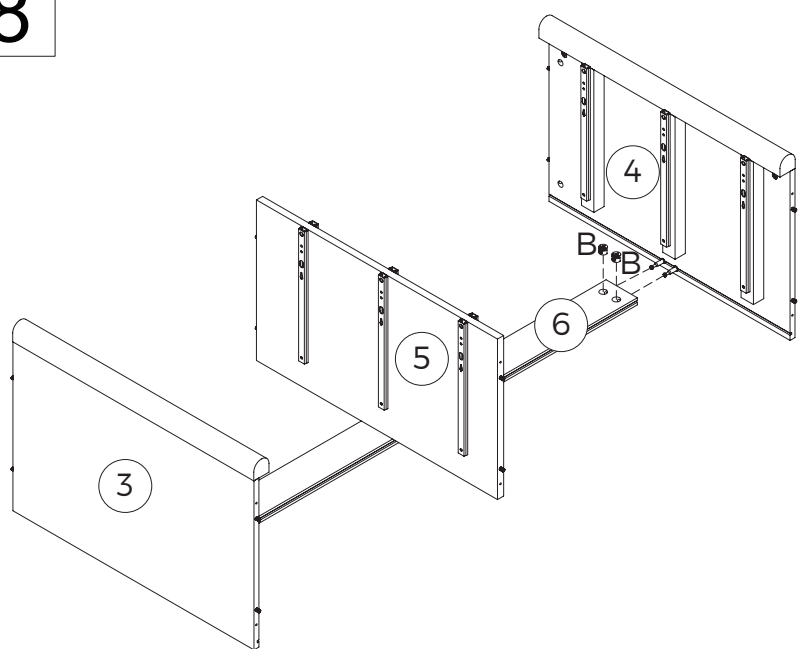


B x2



15x9.3mm

8

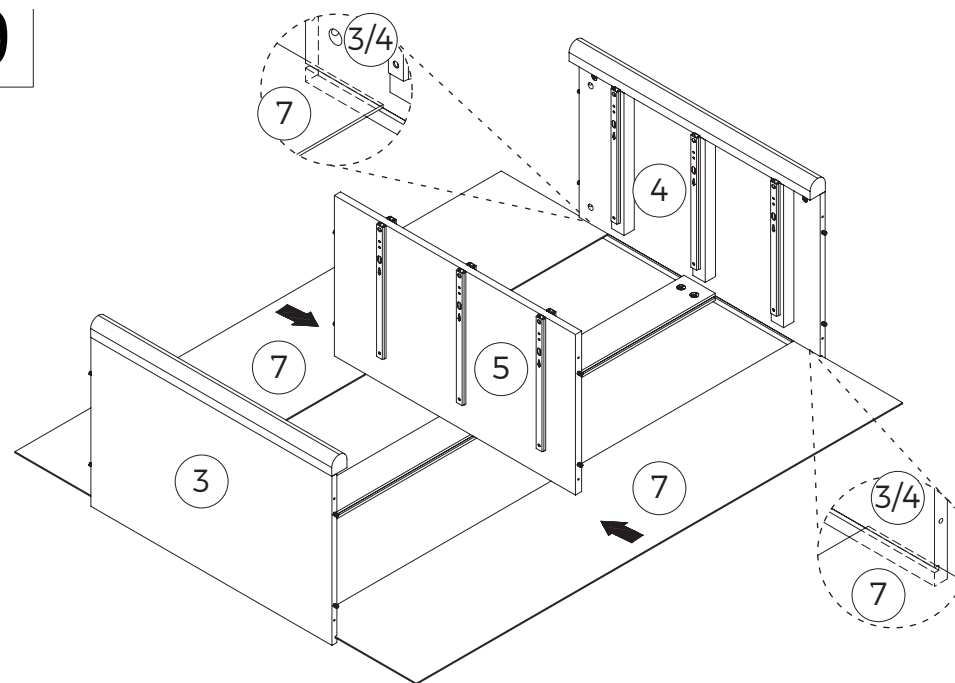


B x2



15x9.3mm

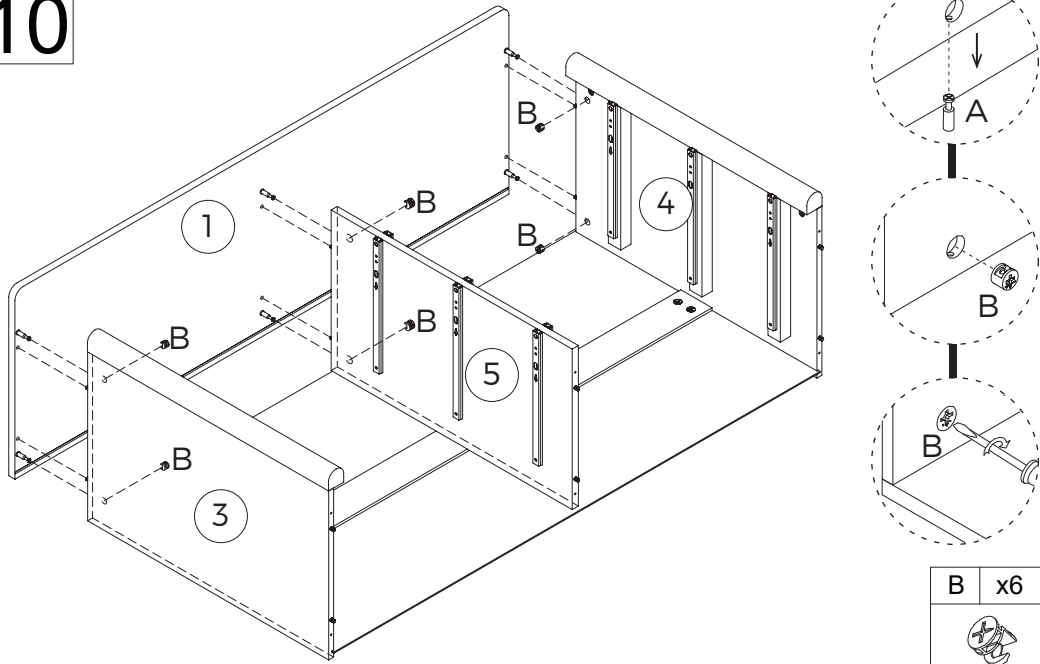
9



3/4

7

# 10

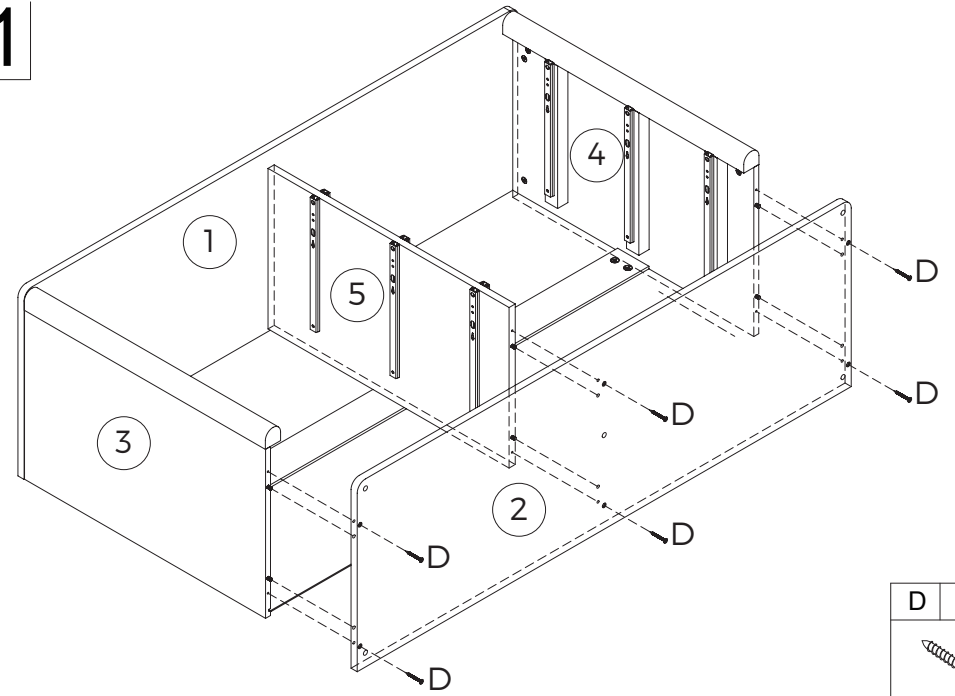


B x6



15x9.3mm

# 11

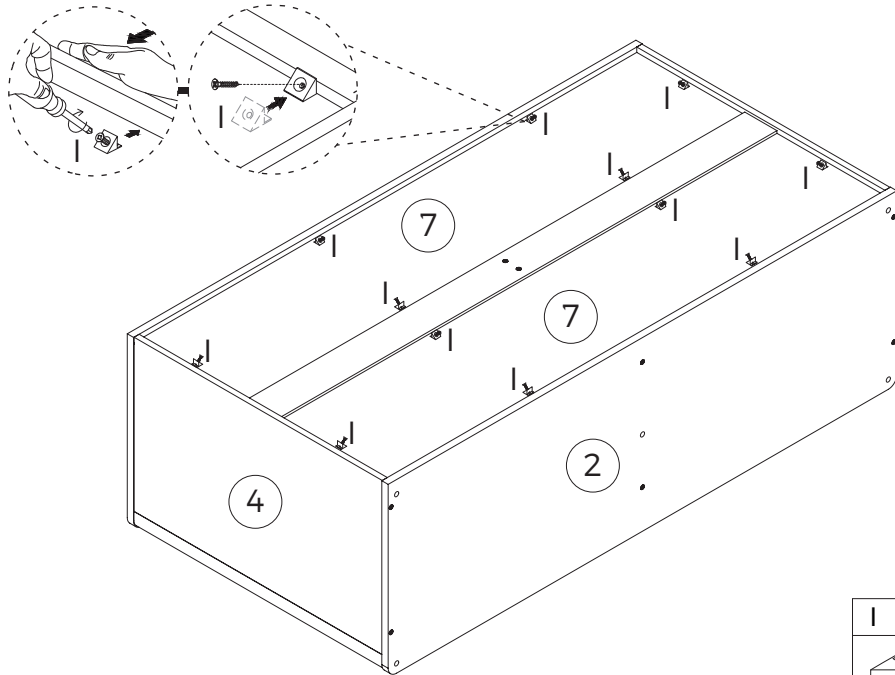


D x6

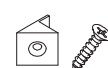


M4x40mm

# 12

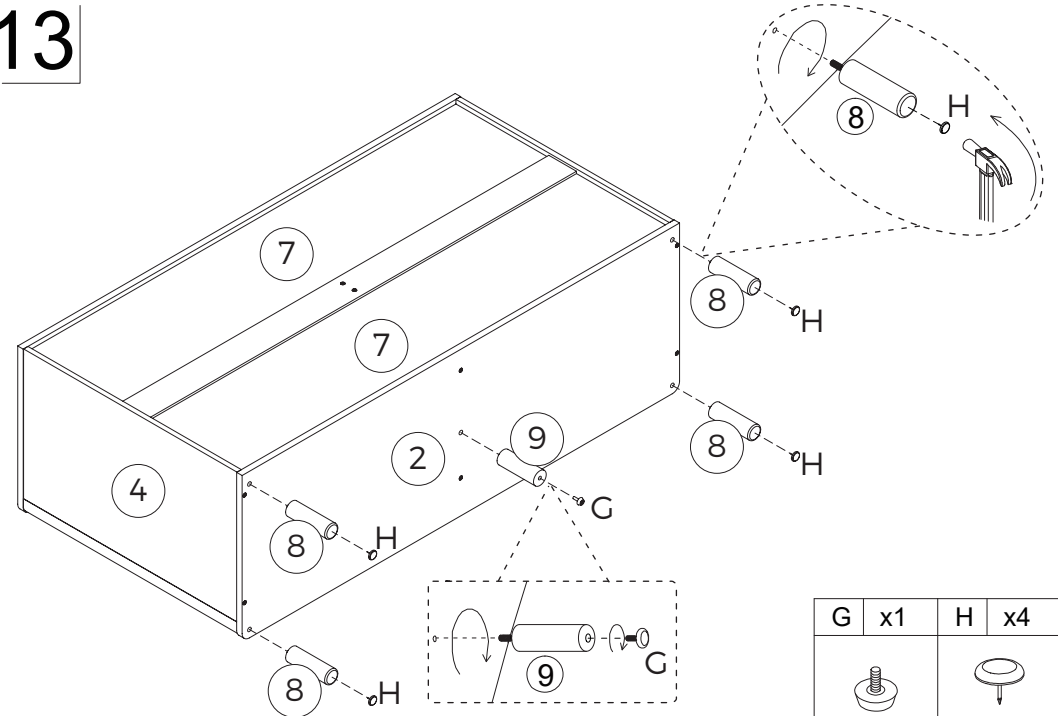


I x12

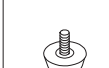


M3x14mm

# 13



G x1



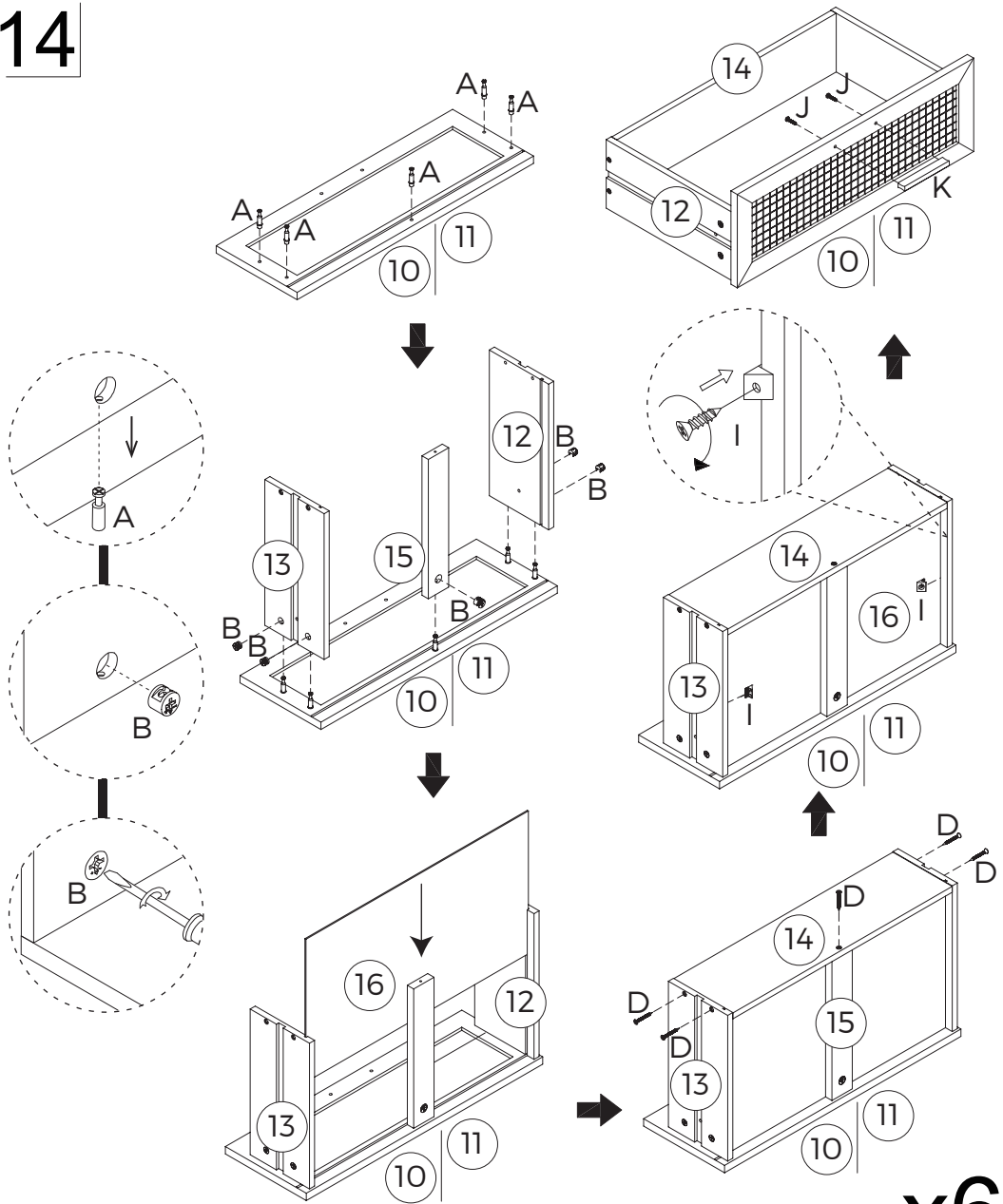
M3x14mm

H x4



M3x14mm

# 14

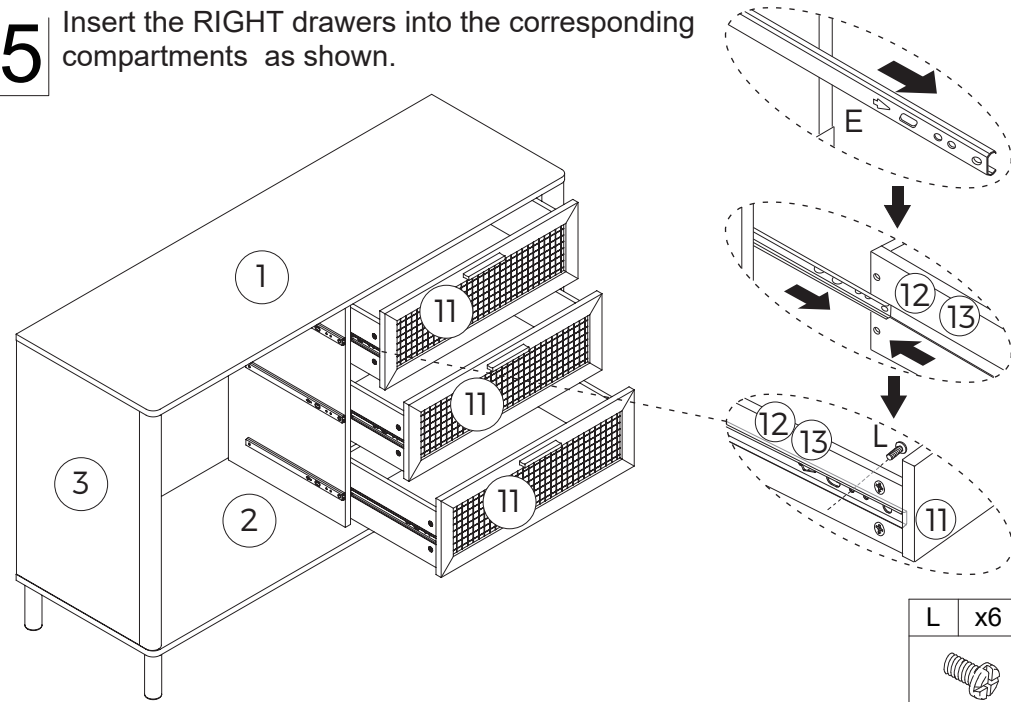


**x6**

A	x30	B	x30	D	x30	I	x12	J	x12	K	x6
7x35mm		15x9.3mm		M4x40mm		M3x14mm		M4x18mm			

# 15

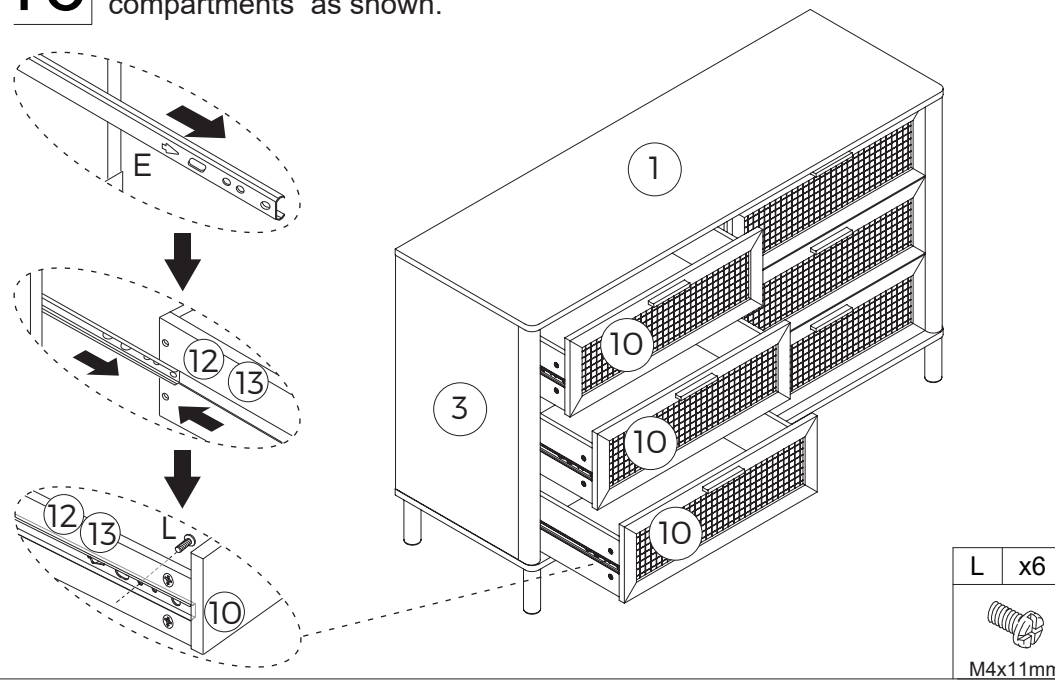
Insert the RIGHT drawers into the corresponding compartments as shown.



L	x6
M4x11mm	

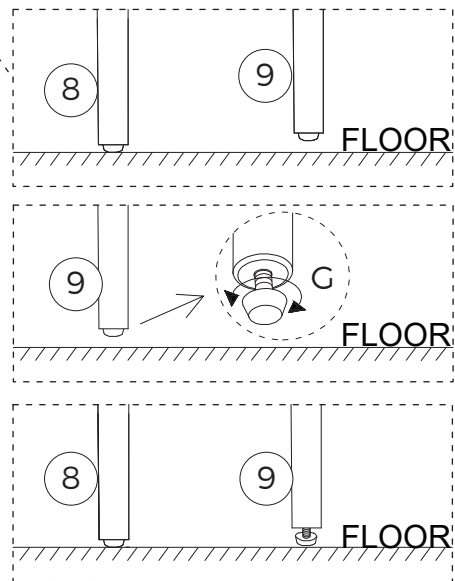
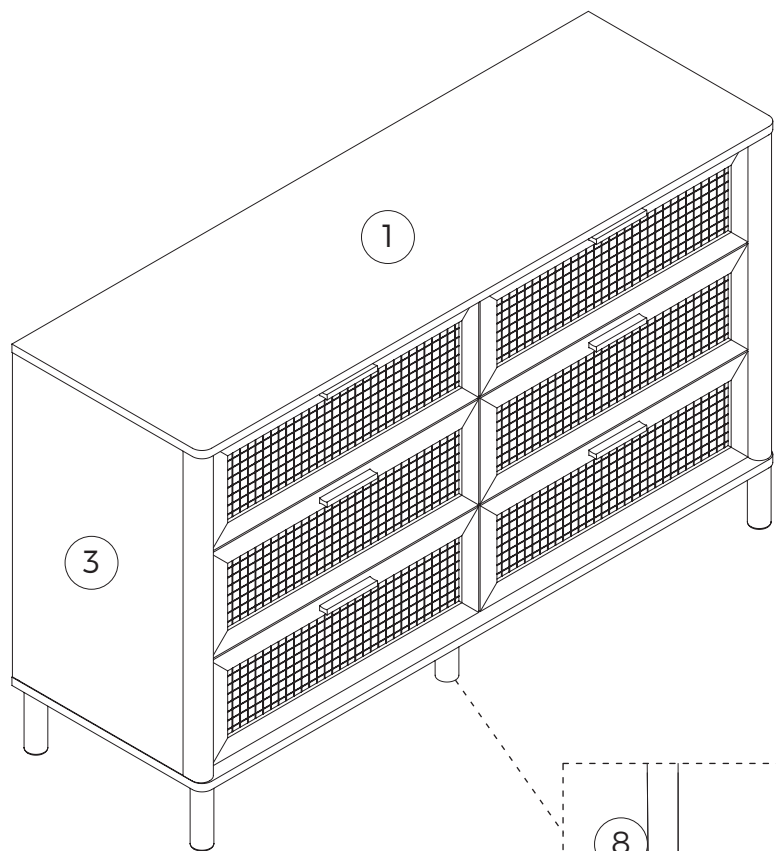
# 16

Insert the LEFT drawers into the corresponding compartments as shown.



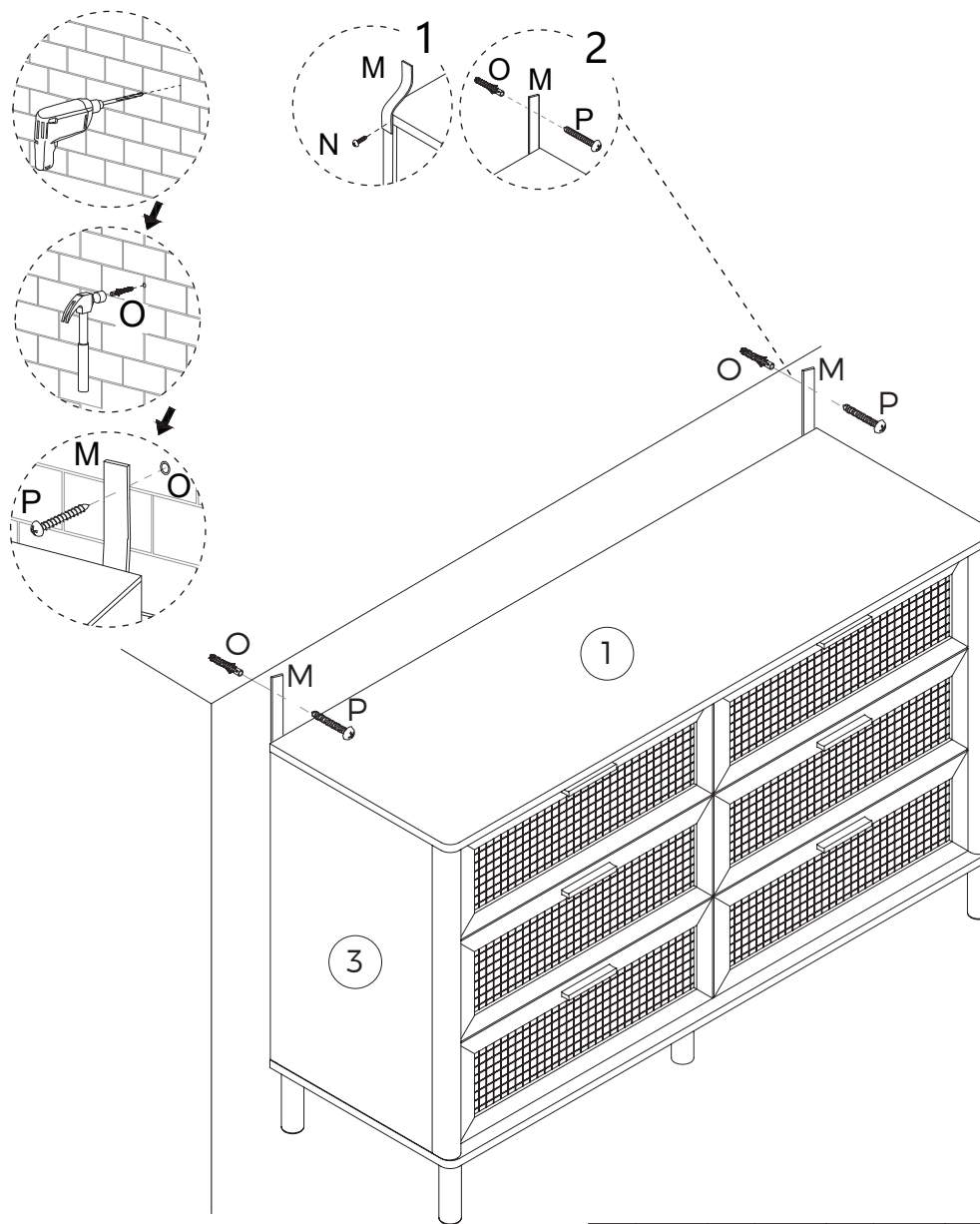
L	x6
M4x11mm	





# 17



# 18

Pre-drill hole in wall



M	x2	N	x2	O	x2	P	x2
							
		M4x14mm				M4x30mm	