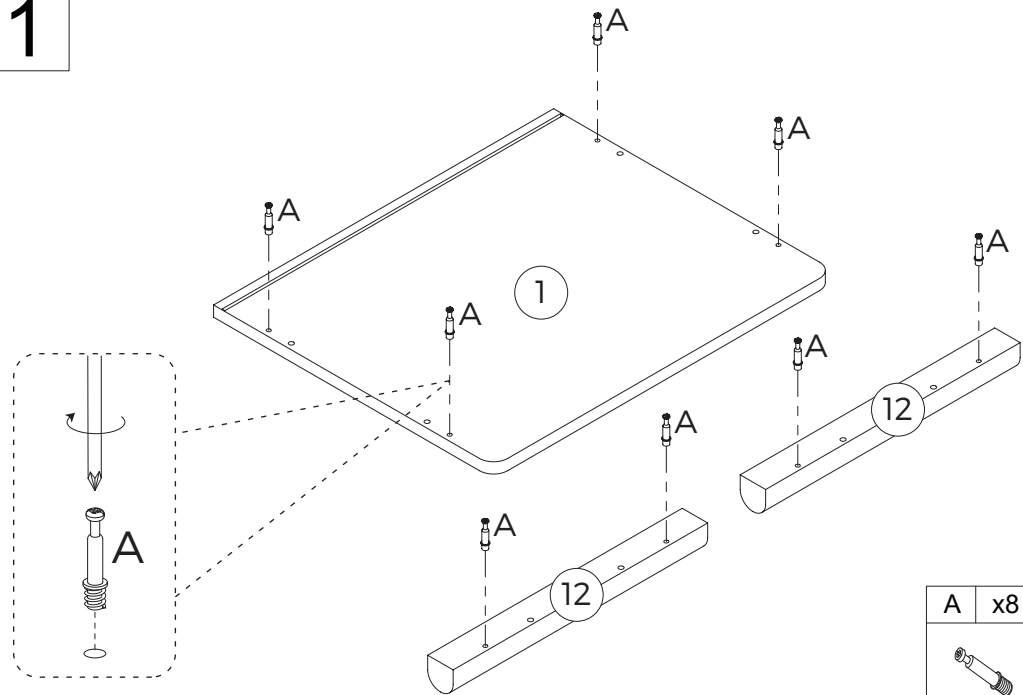



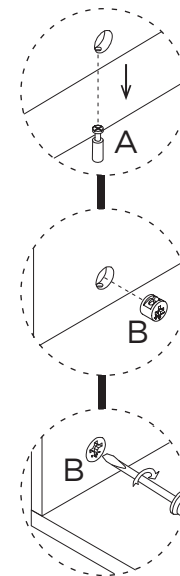
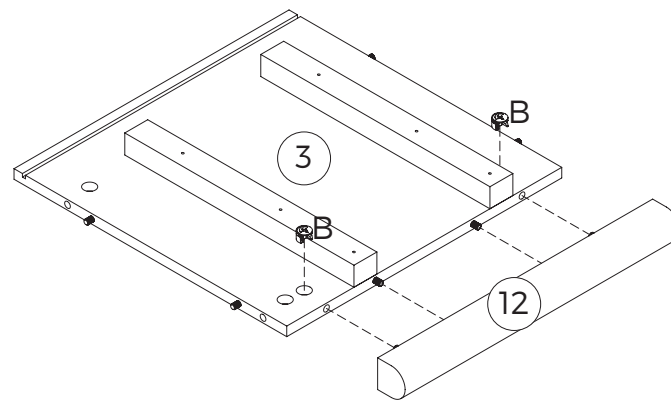
A	x16	B	x16	C	x12	D	x12	E	x4	F	x12	G	x12
						4x40mm		278mm		3x12mm		3x14mm	
H	x4	I	x4	J	x2	K	x4						
		4x18mm				4x11mm							


1



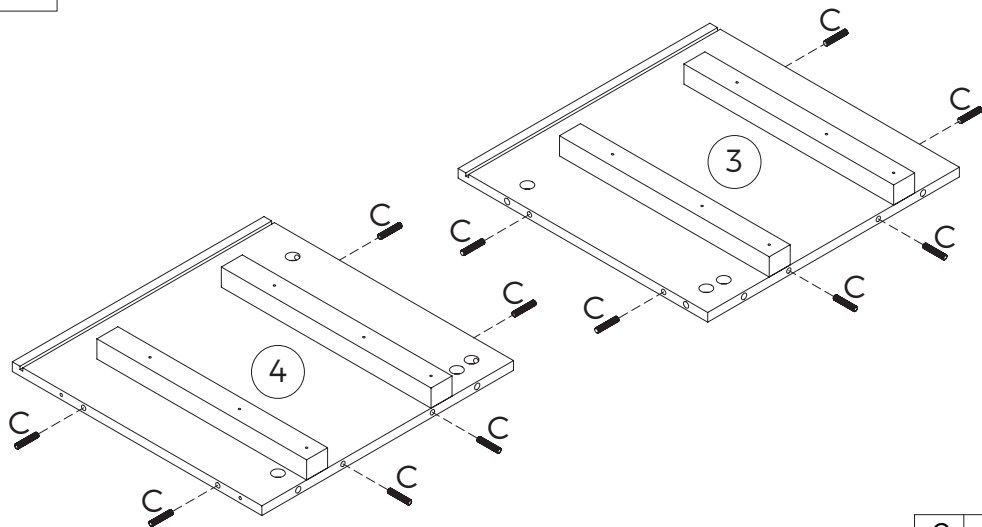
A	x8
	

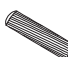
3



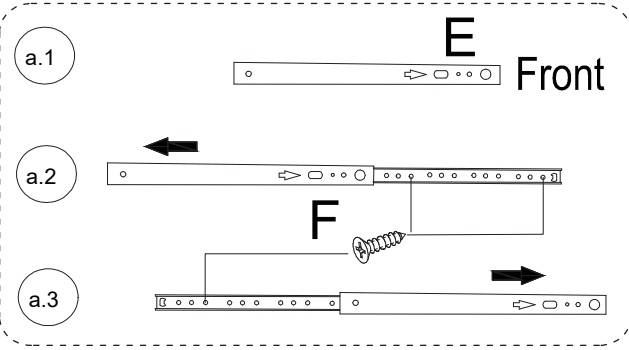
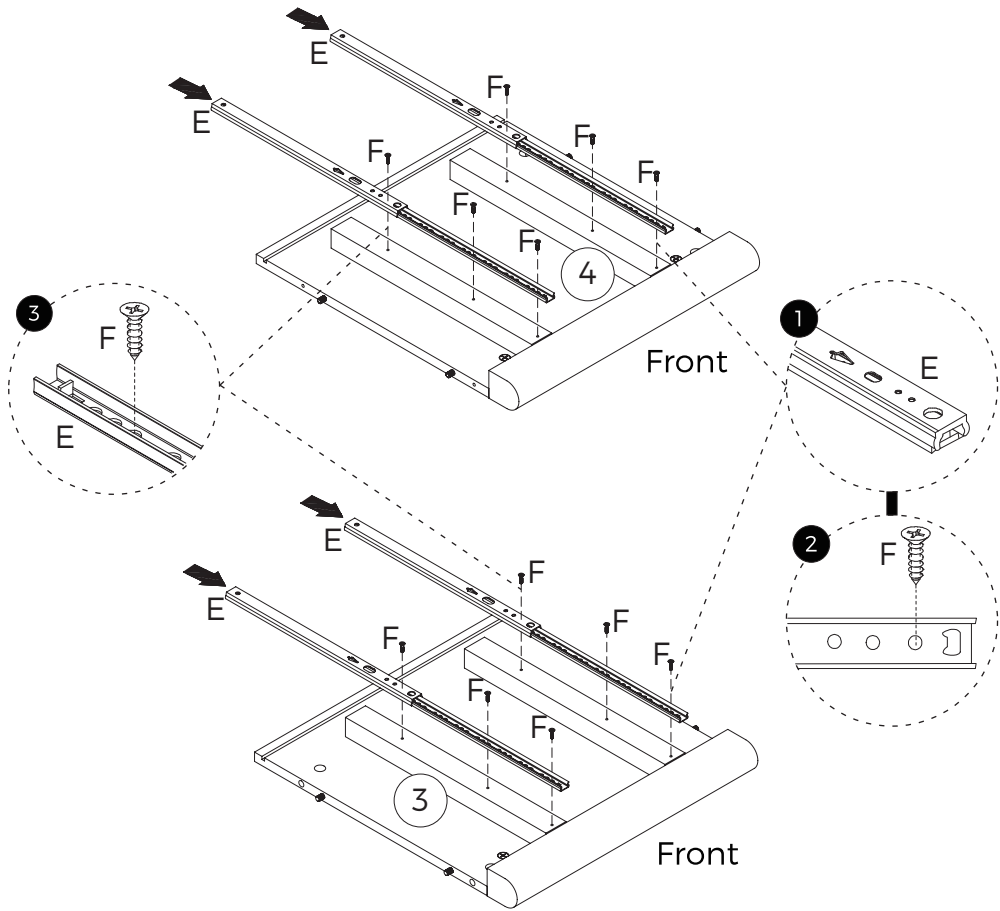
B	x4
	

2



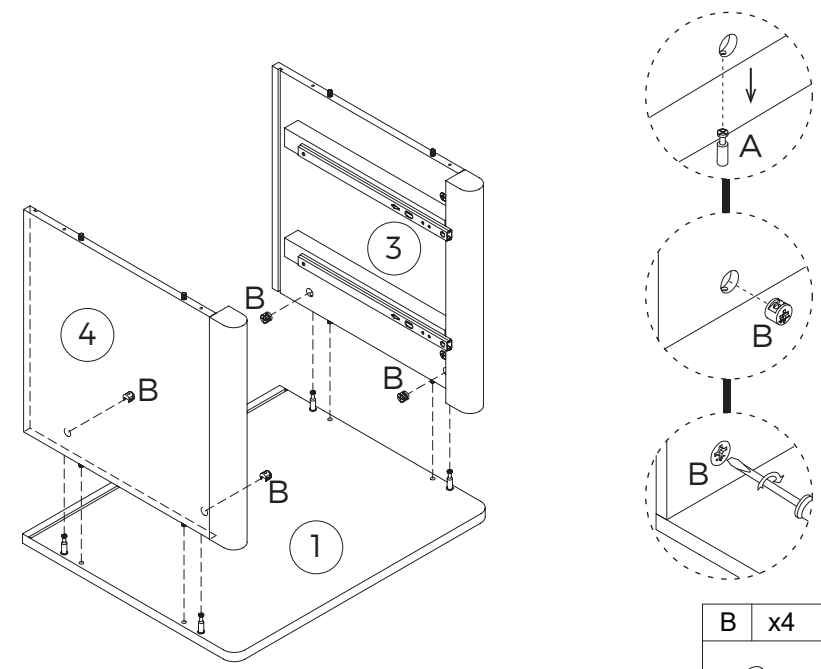
C	x12
	

4



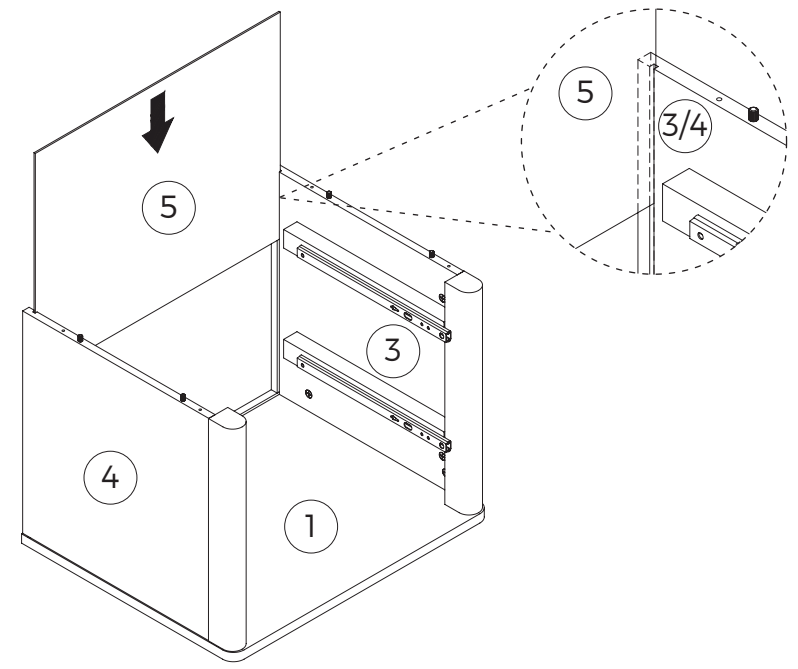
E	x4	F	x12
278mm		3x12mm	

5

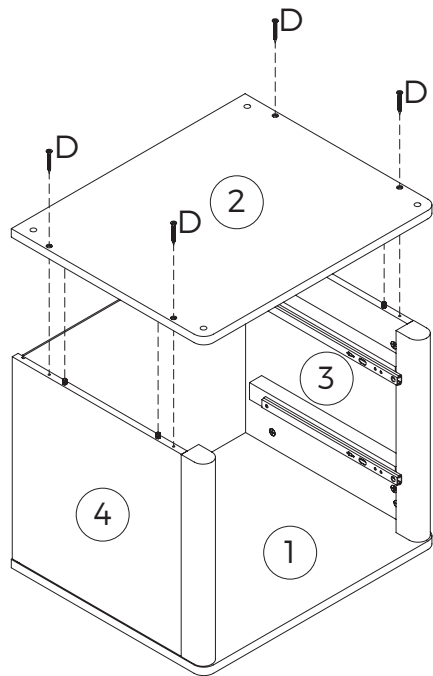


B	x4

6

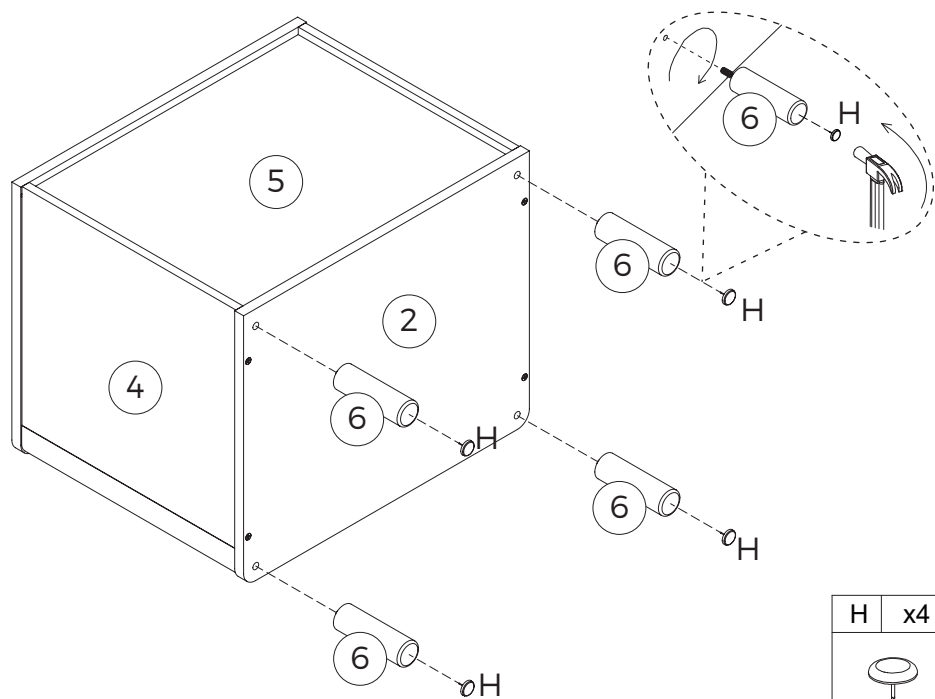


7



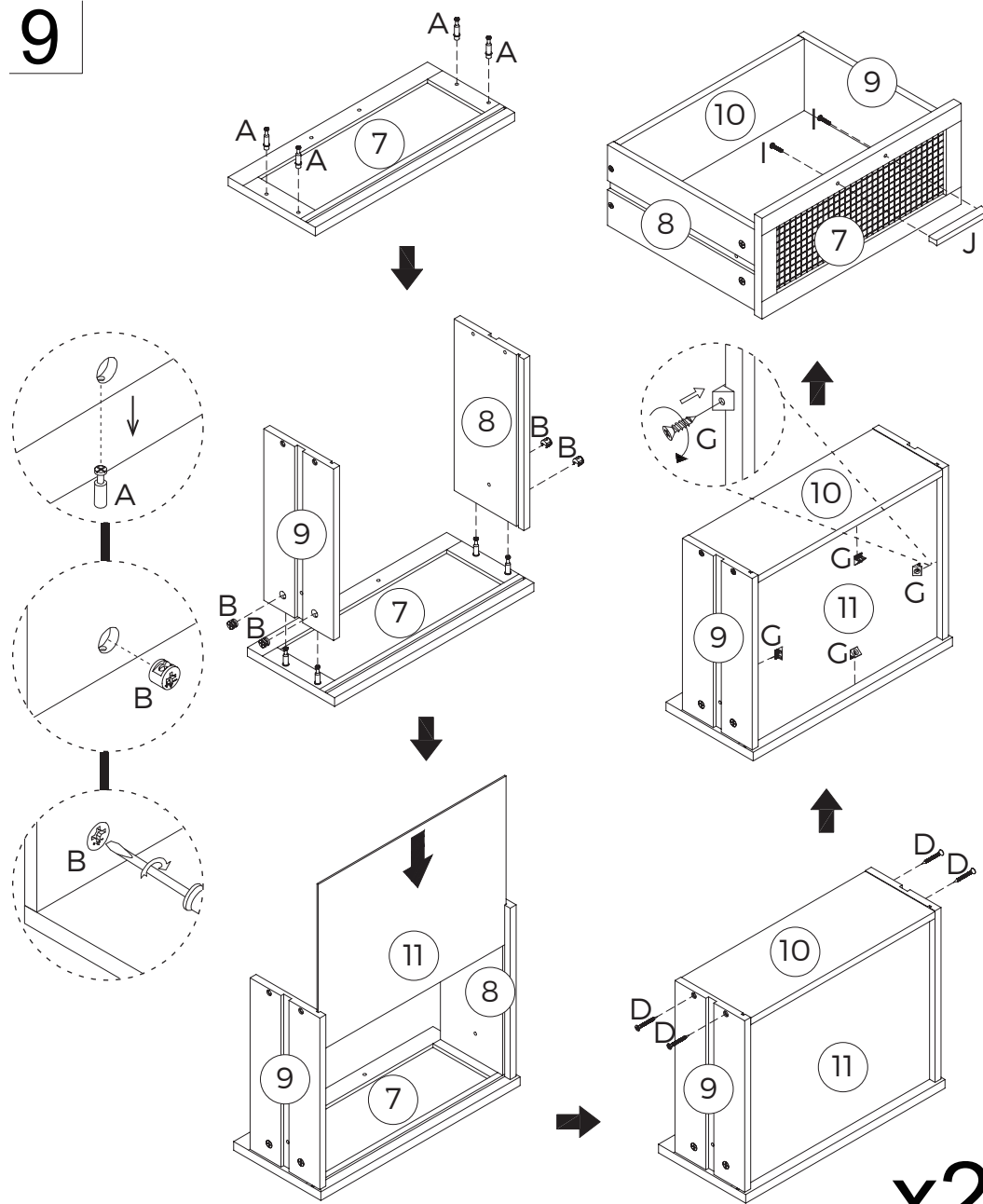
D	x4
	4x40mm

8



H	x4

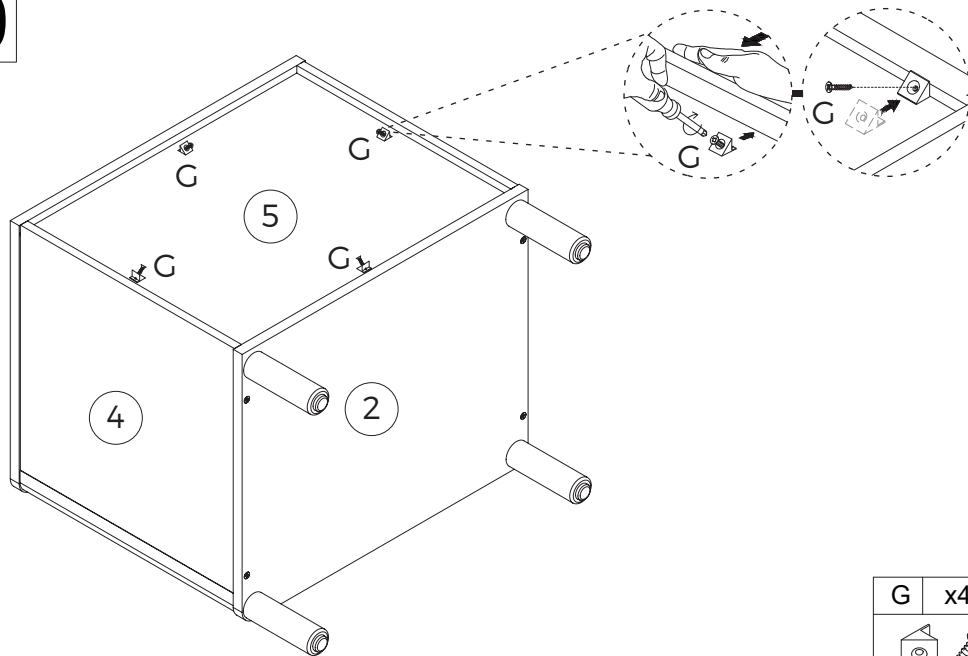
9



A	x8	B	x8	D	x8	G	x8	I	x4	J	x2
					4x40mm		3x14mm		4x18mm		

x2

10

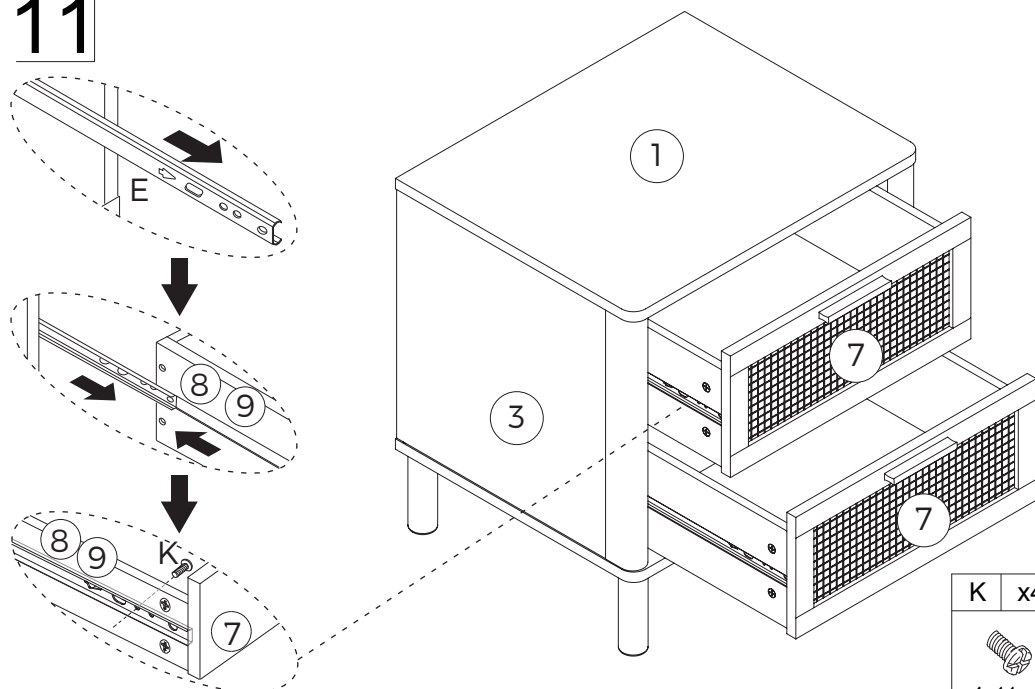


G x4



3x14mm

11



K x4



4x11mm

