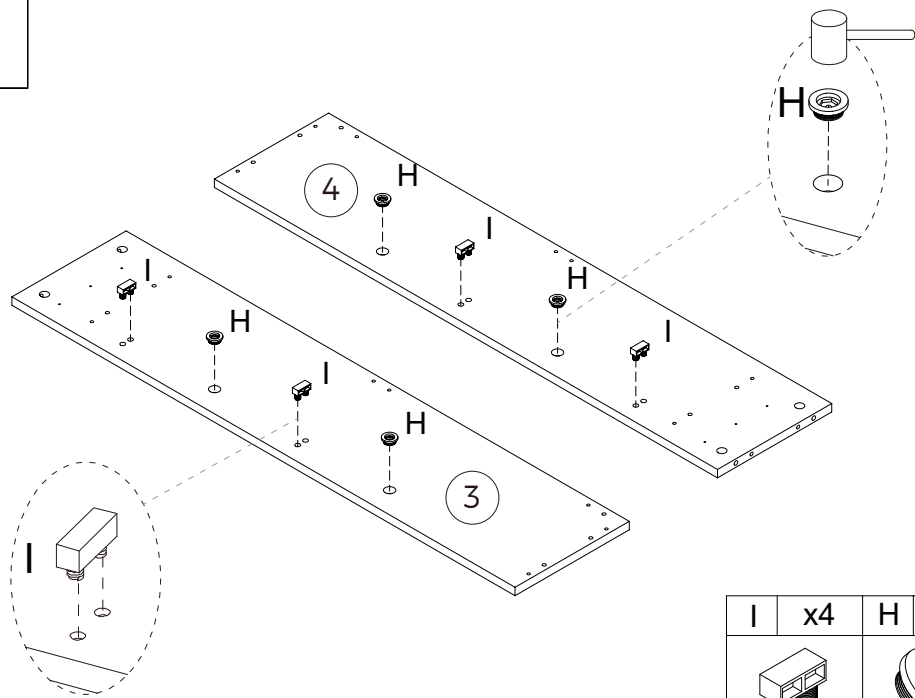
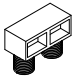



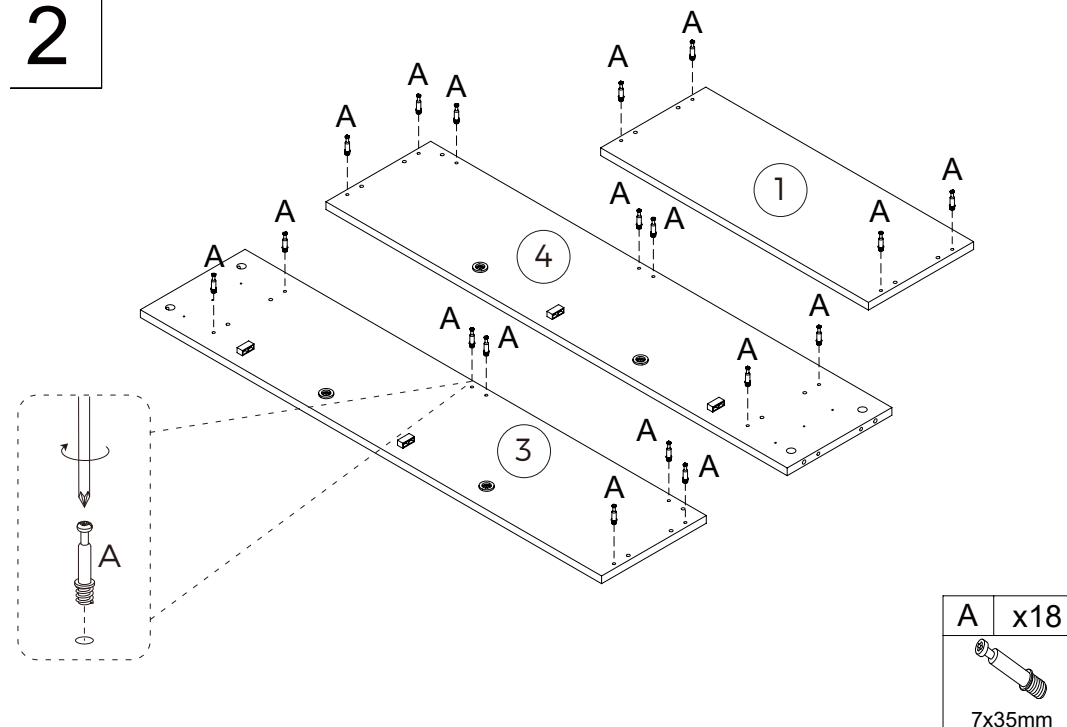
A	x21	B	x21	C	x18	D	x7	E	x2	F	x12	G	x2
7x35mm	15x9.3mm	Ø6x30mm	M4x40mm	182mm	M3x12mm	M3x14mm							
H	x4	I	x4	J	x4	K	x2	L	x2	M	x4	N	x24
										M4x12mm	M3.5x14mm		
O	x6	P	x4	Q	x3	R	x2	S	x2	T	x2	U	x2
										M4x11mm	M4x14mm		
V	x2												
M4x30mm													

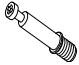
1



I	x4	H	x4
			

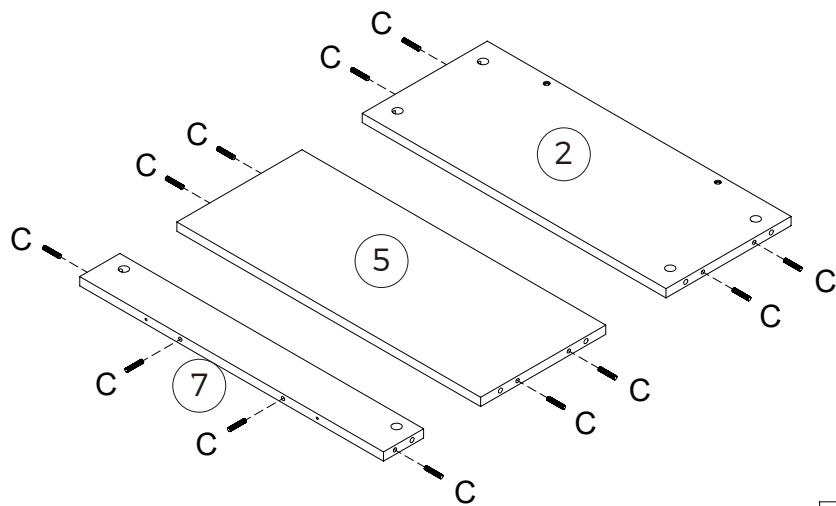
2

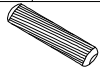


A	x18
	

7x35mm

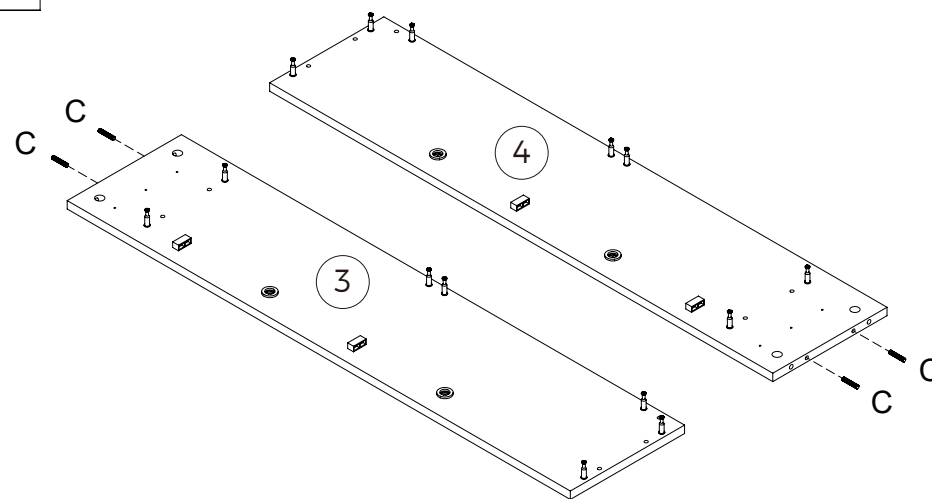
3

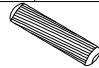


C	x12
	

Ø6x30mm

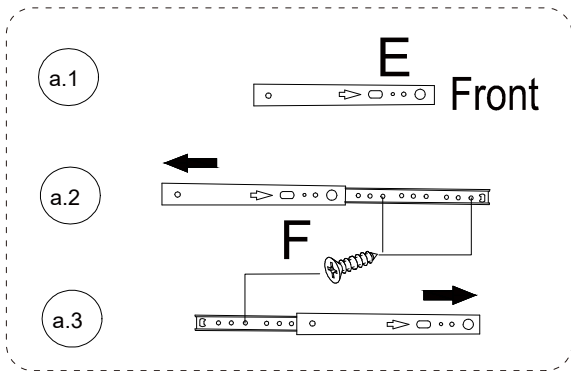
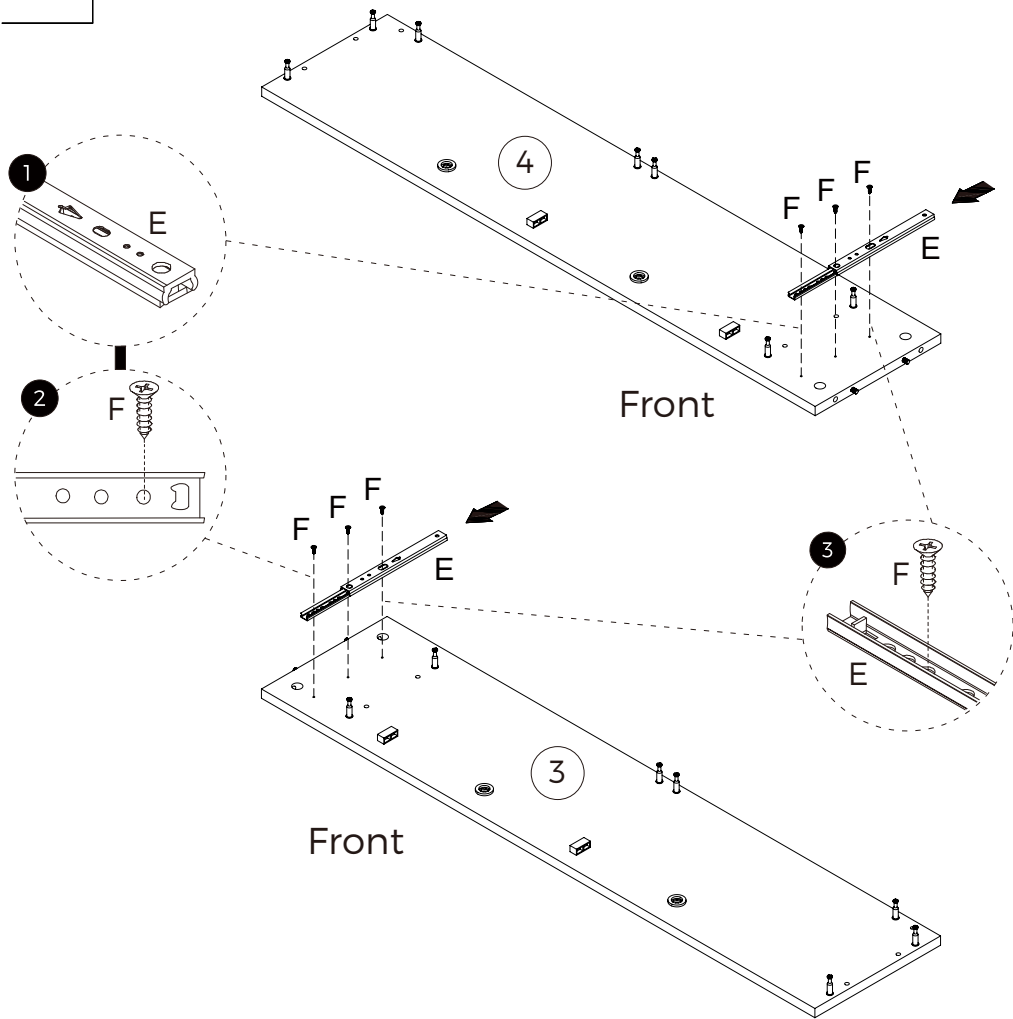
4

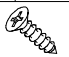



C	x4
	

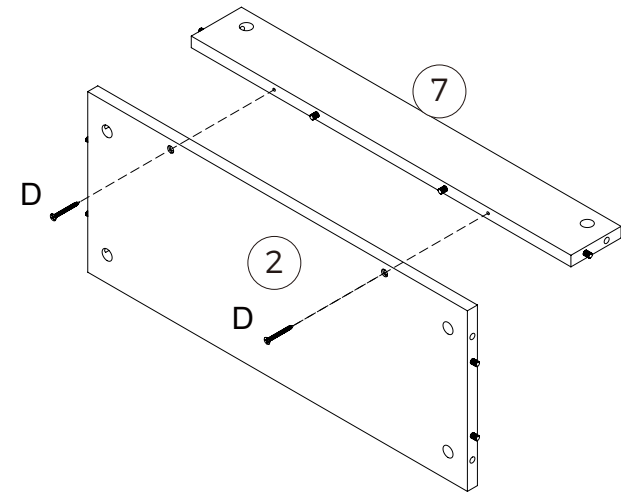
Ø6x30mm

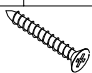
5



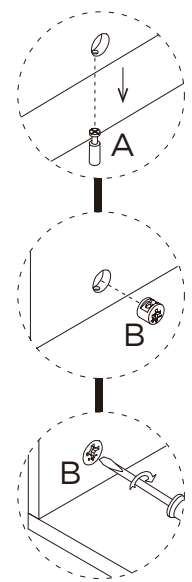
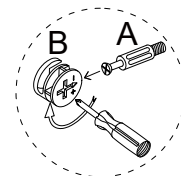
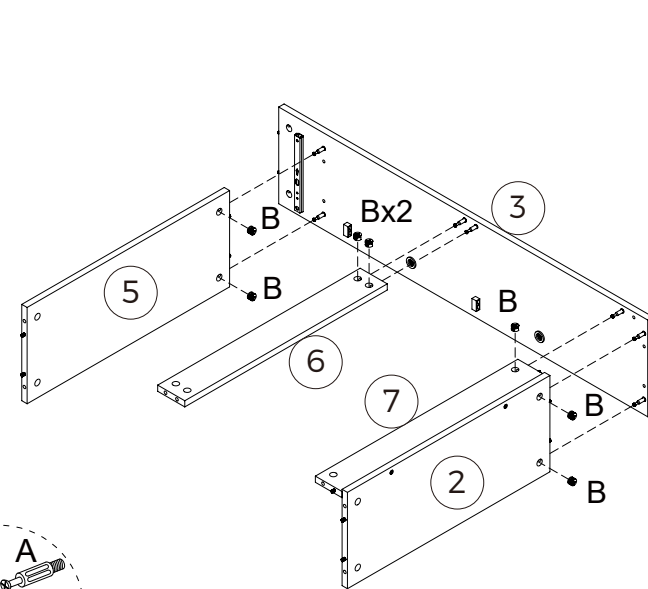
F	x6	E	x2
			
M3x12mm		182mm	


6



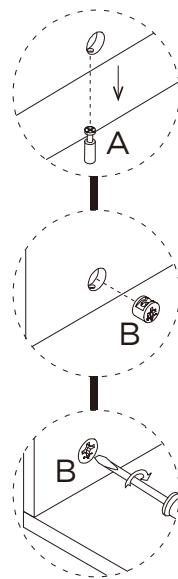
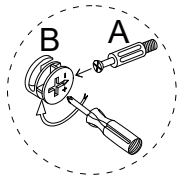
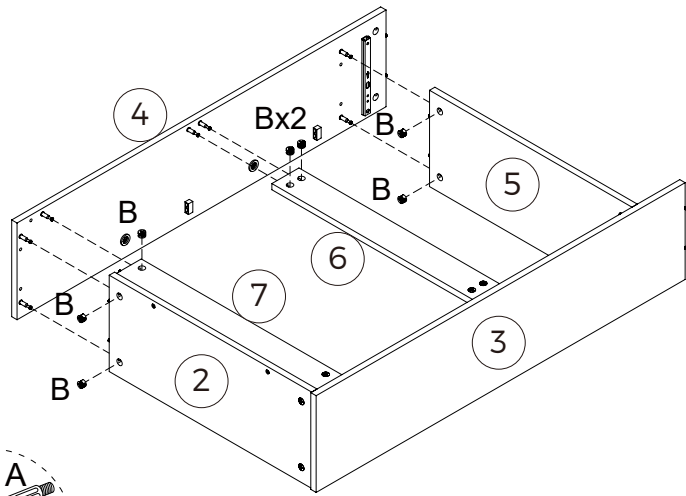
D	x2
	
M4x40mm	


7



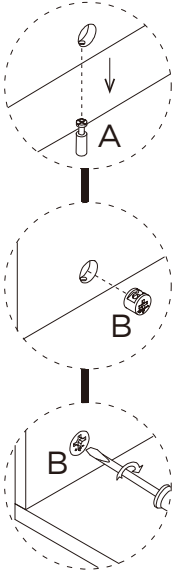
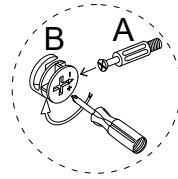
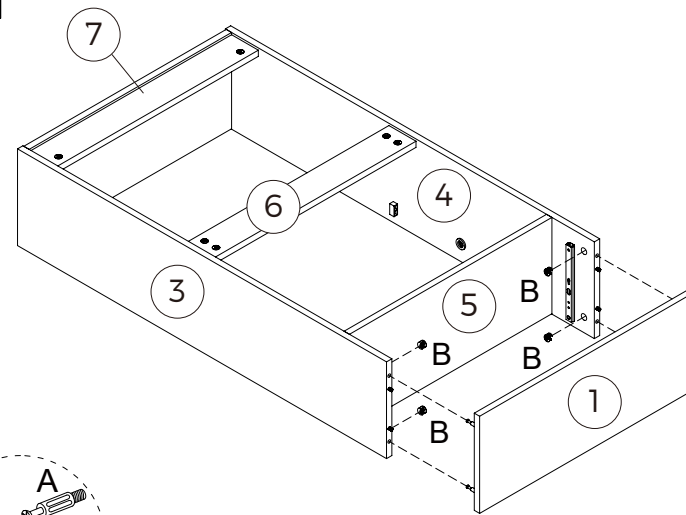
B	x7
	
15x9.3mm	


8



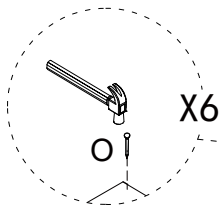
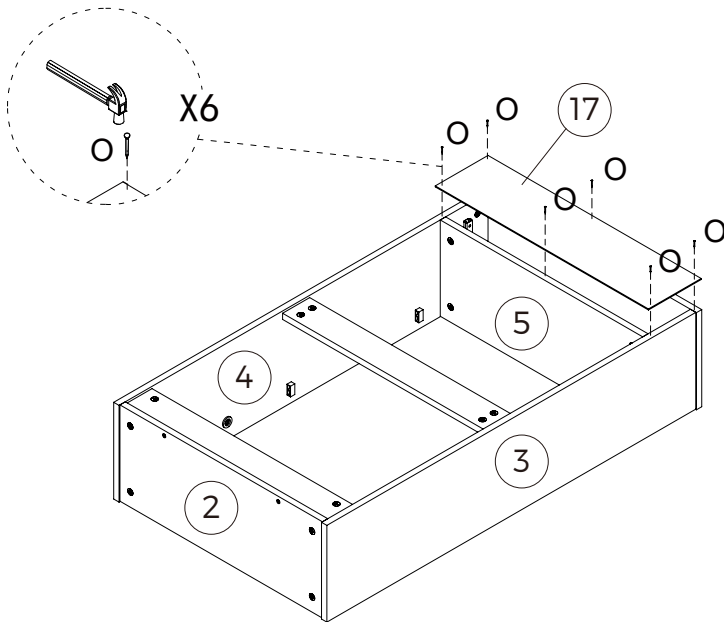
B	x7
	
15x9.3mm	


9



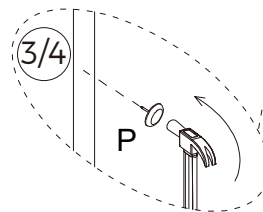
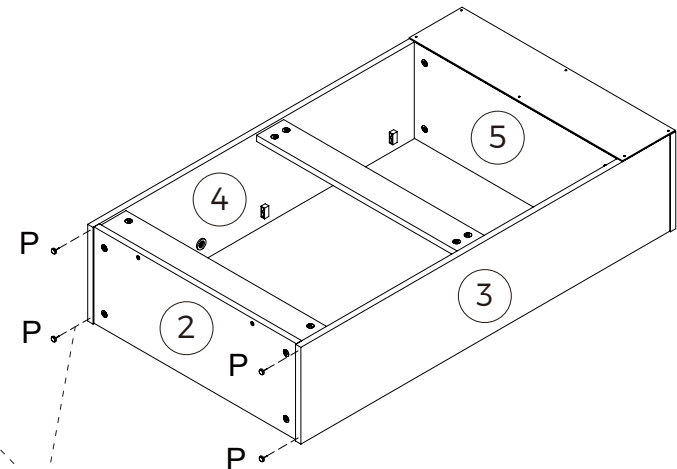
B	x4
	
15x9.3mm	


10



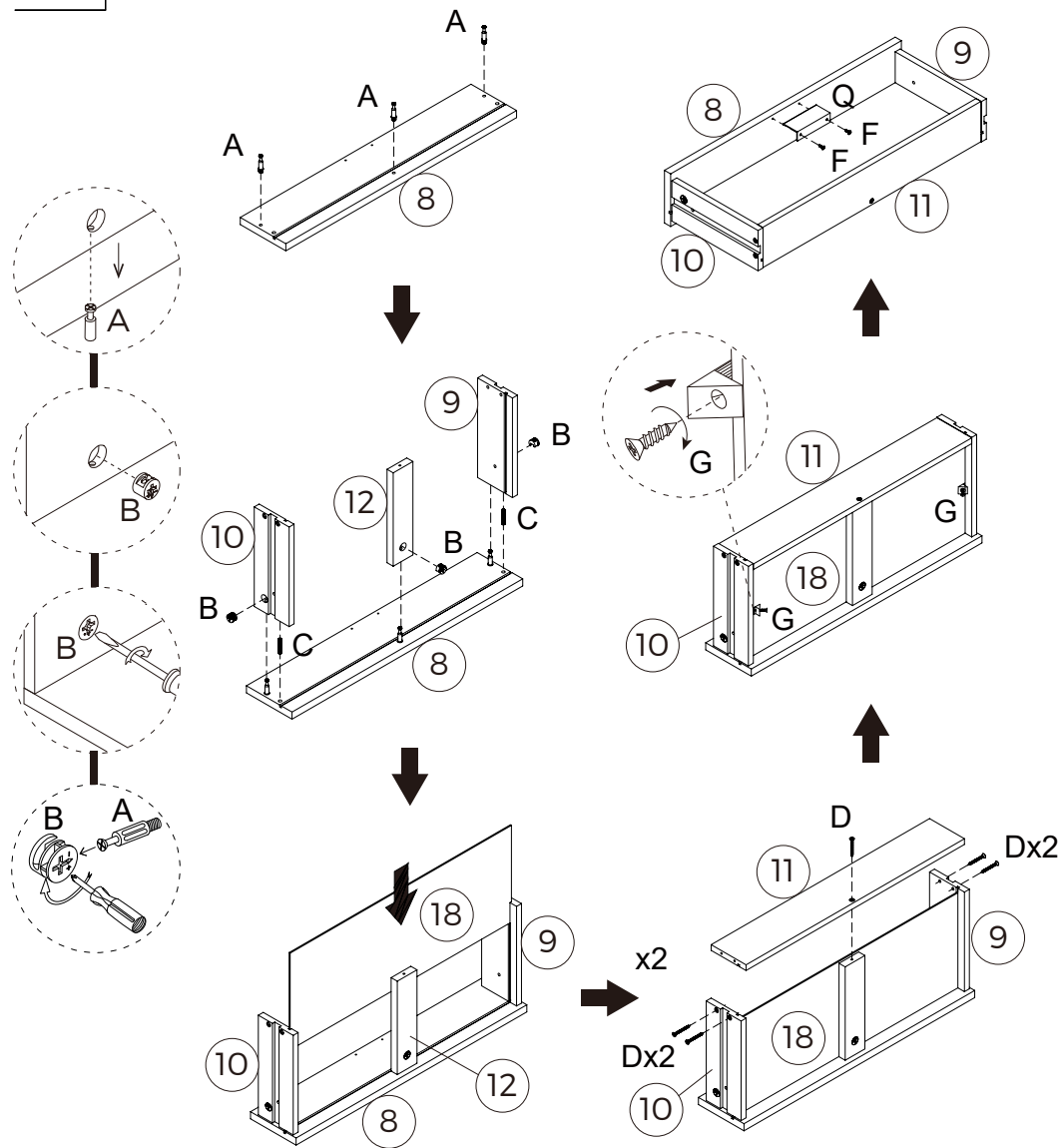
O	x6
	

11



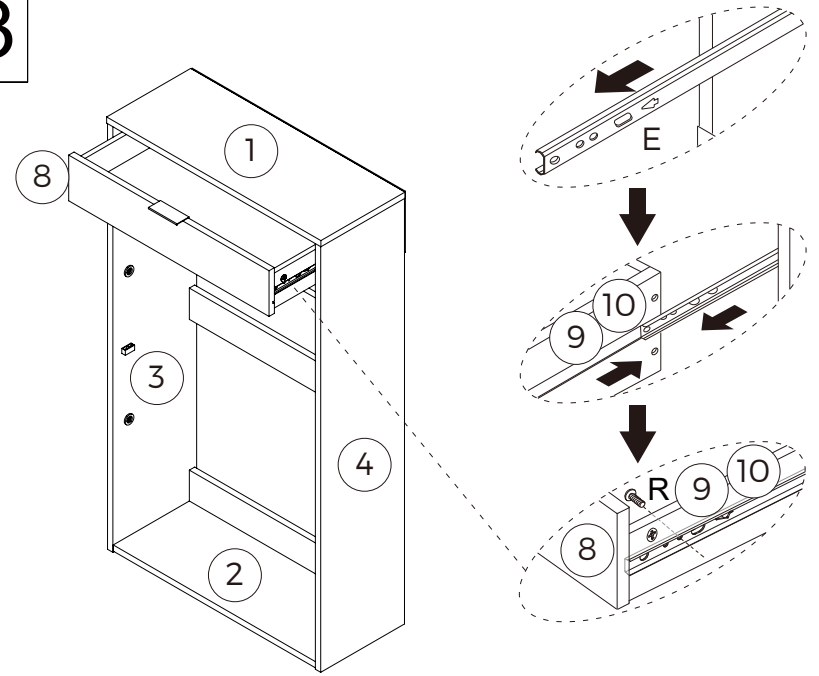
P	x4
	

12



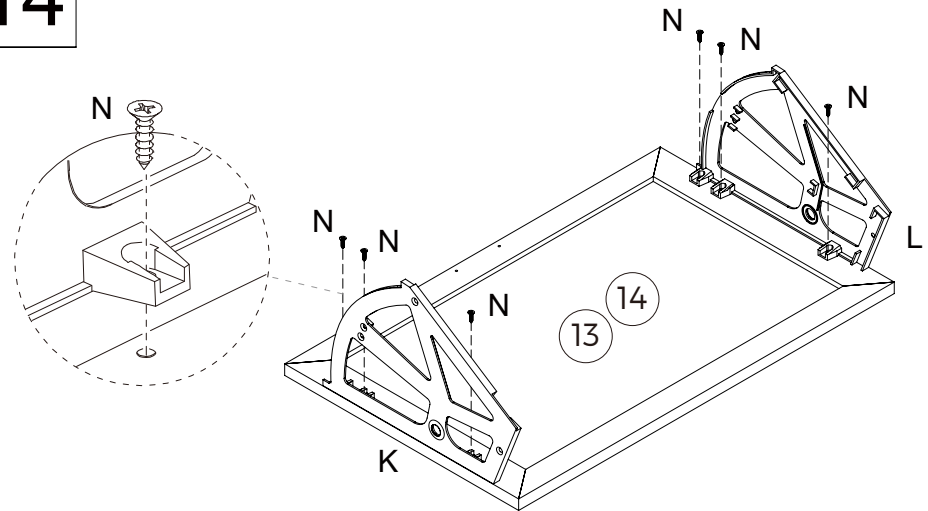
Q	x1	G	x2	F	x2	D	x5	C	x2	B	x3	A	x3
		M3x14mm		M3x12mm		M4x40mm		Ø6x30mm		15x9.3mm		7x35mm	

13



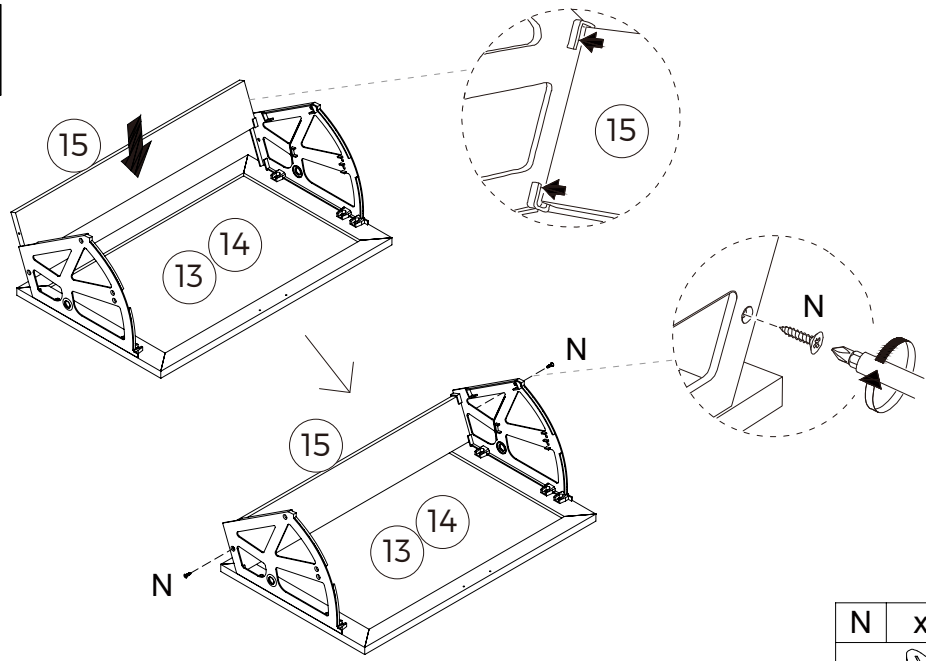
R	x2
M4x11mm	


14



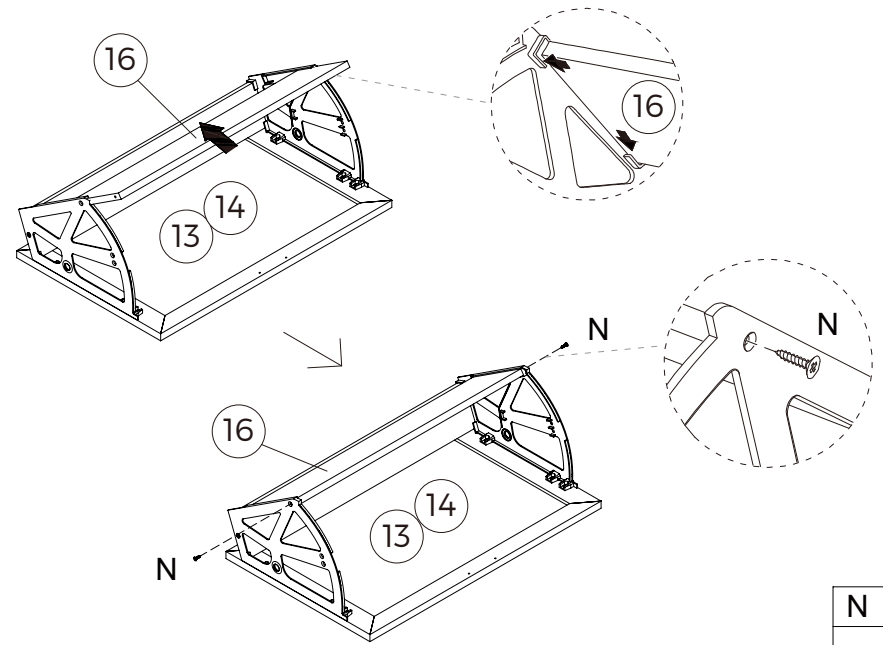
N	x12	L	x2	K	x2
M3.5x14mm					


15



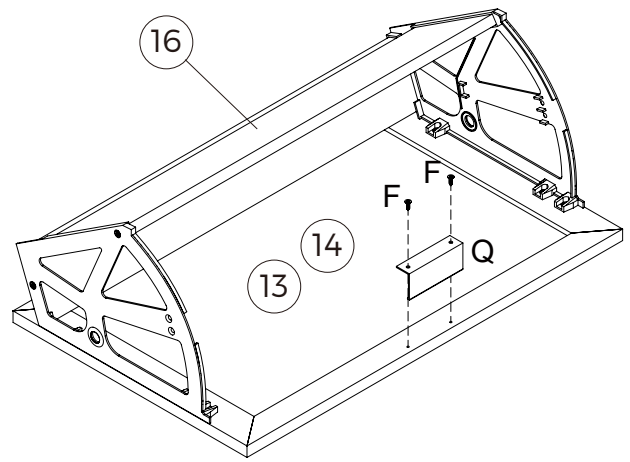
N	x4
	
M3.5x14mm	

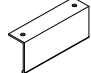
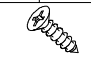
16



N	x4
	
M3.5x14mm	

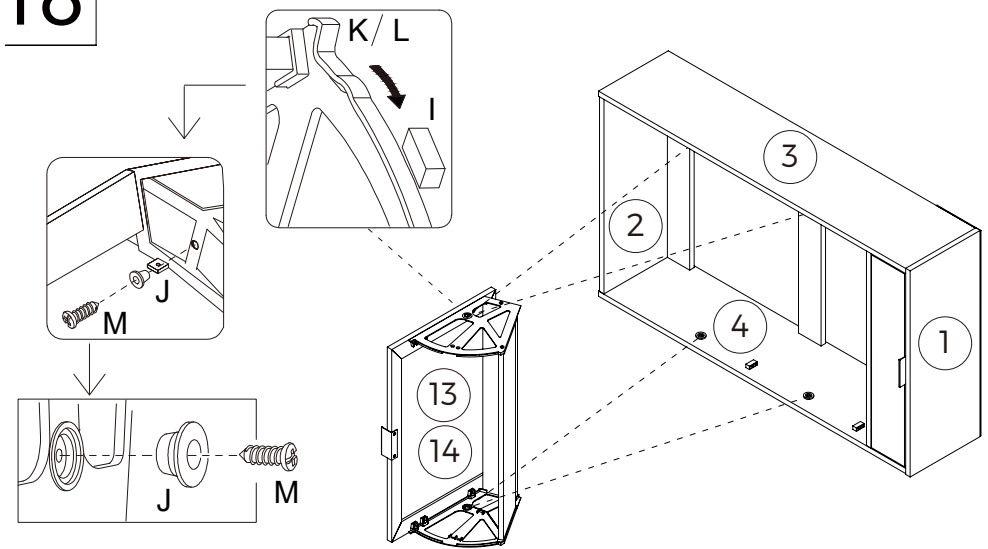
17

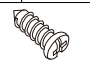



Q	x2	F	x4
			
		M3x12mm	

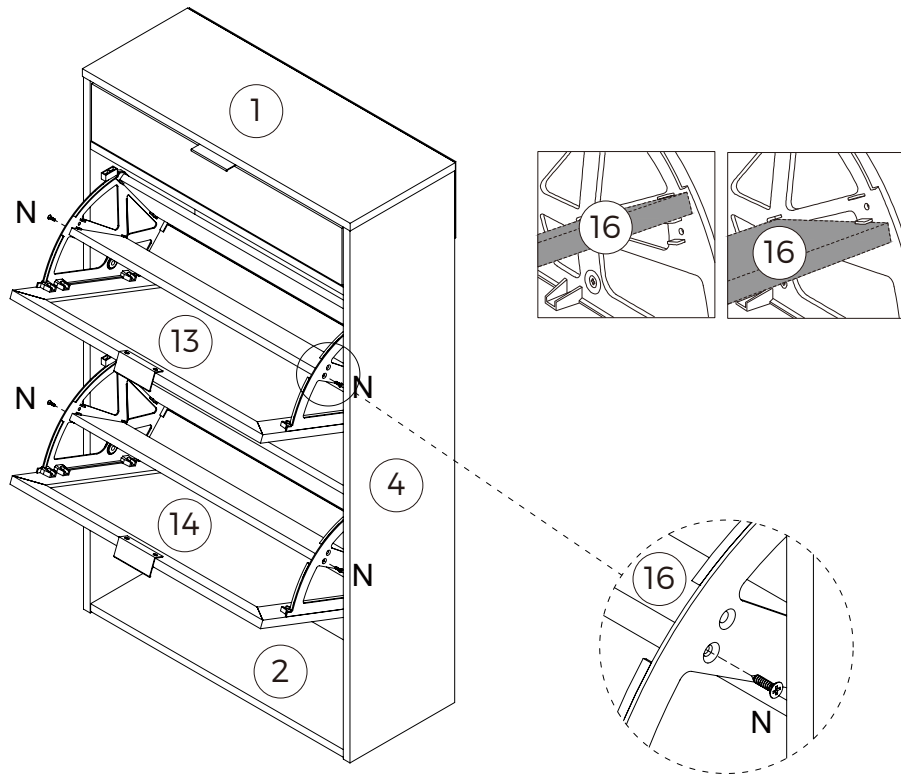
18

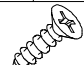
Use a screwdriver to tighten the shoe racks NOT the electric drill



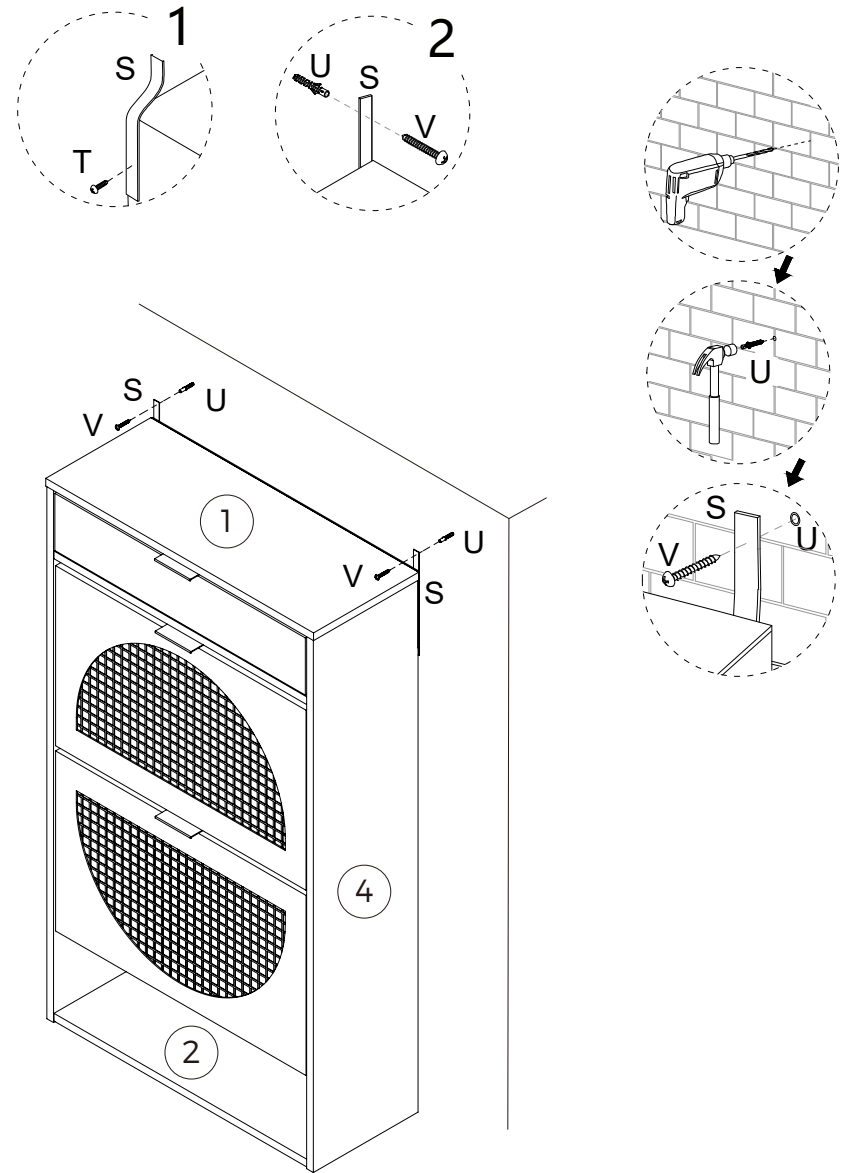
M	x4	J	x4
			
M4x12mm			

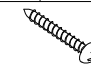



19



N	x4
	
M3.5x14mm	

20



V	x2	U	x2	T	x2	S	x2
							
M4x30mm				M4x14mm			