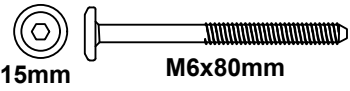


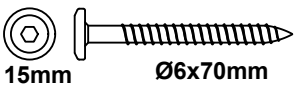


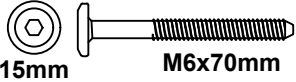
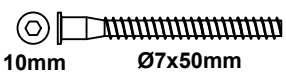
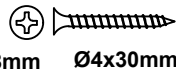
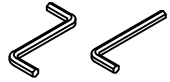
Assembly Instructions

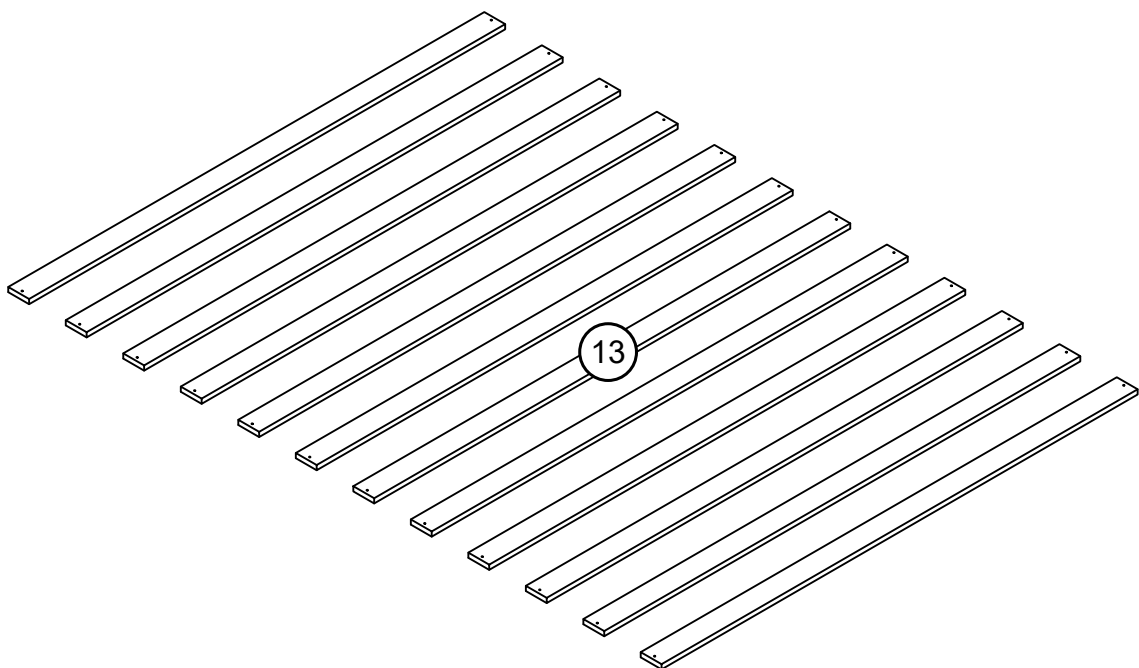
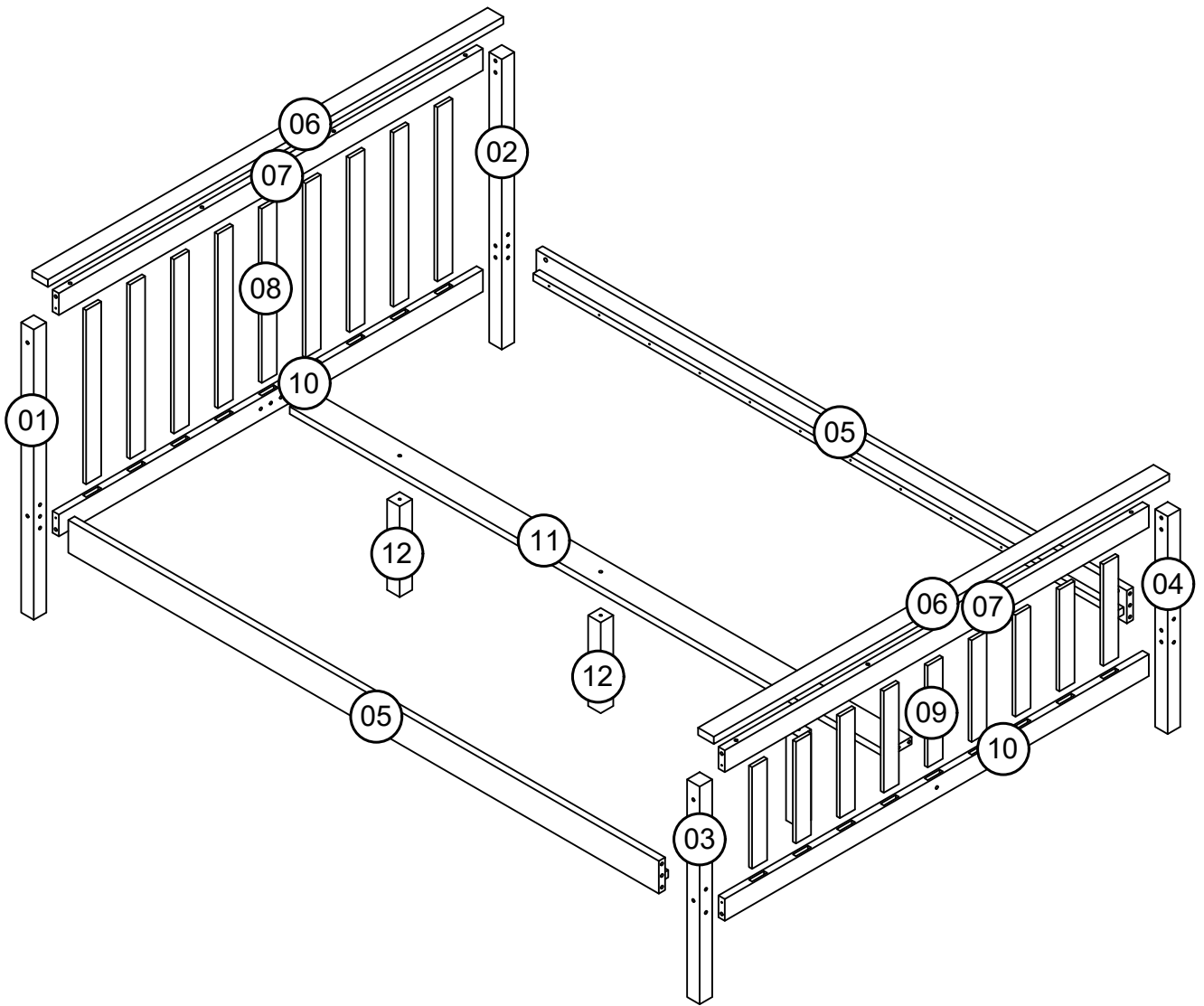
Inner size :1900*1370mm



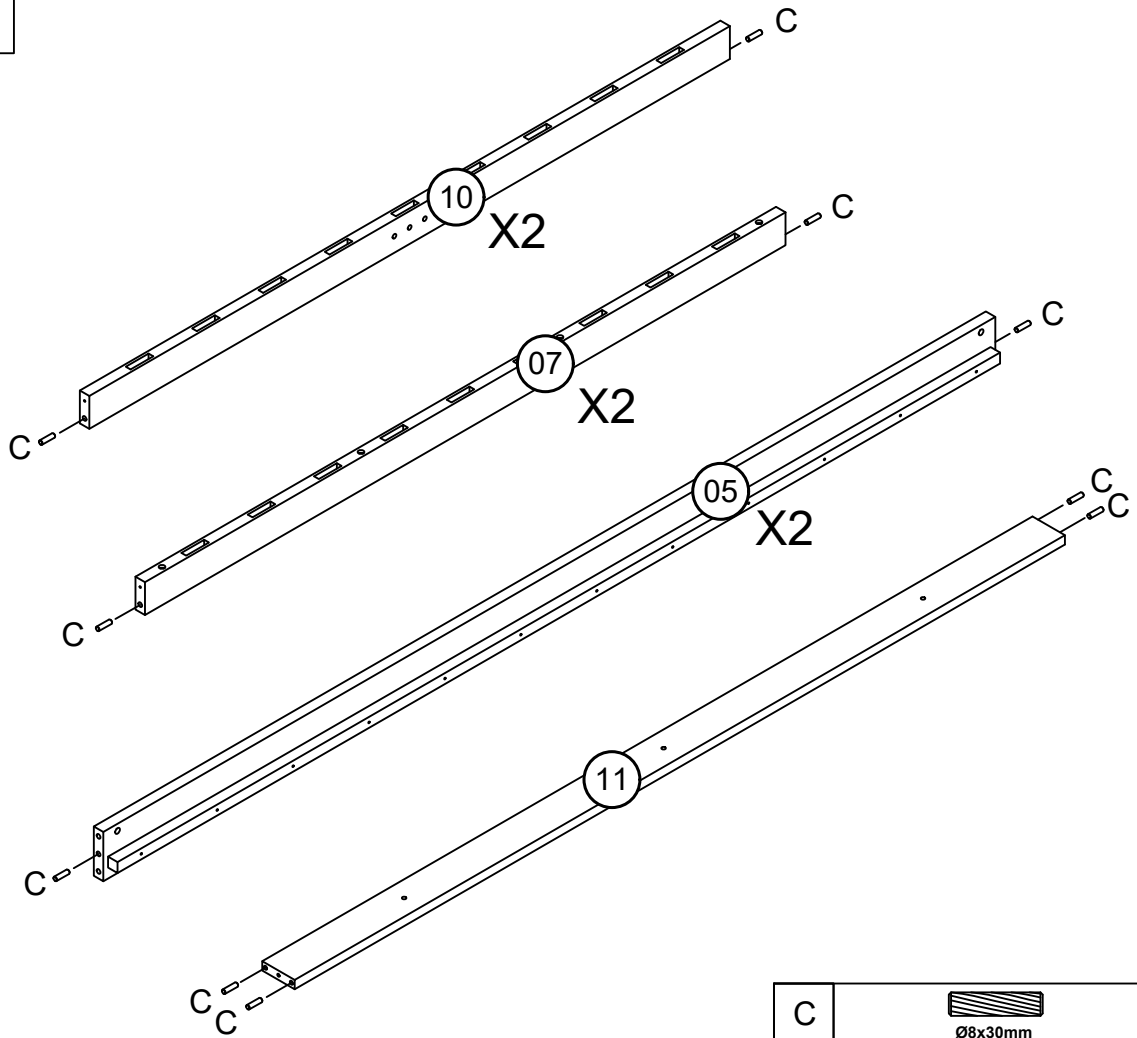
HARDWARE

A	 15mm M6x80mm	08
B		08
C	 Ø8x30mm	16
D	 15mm Ø6x70mm	08

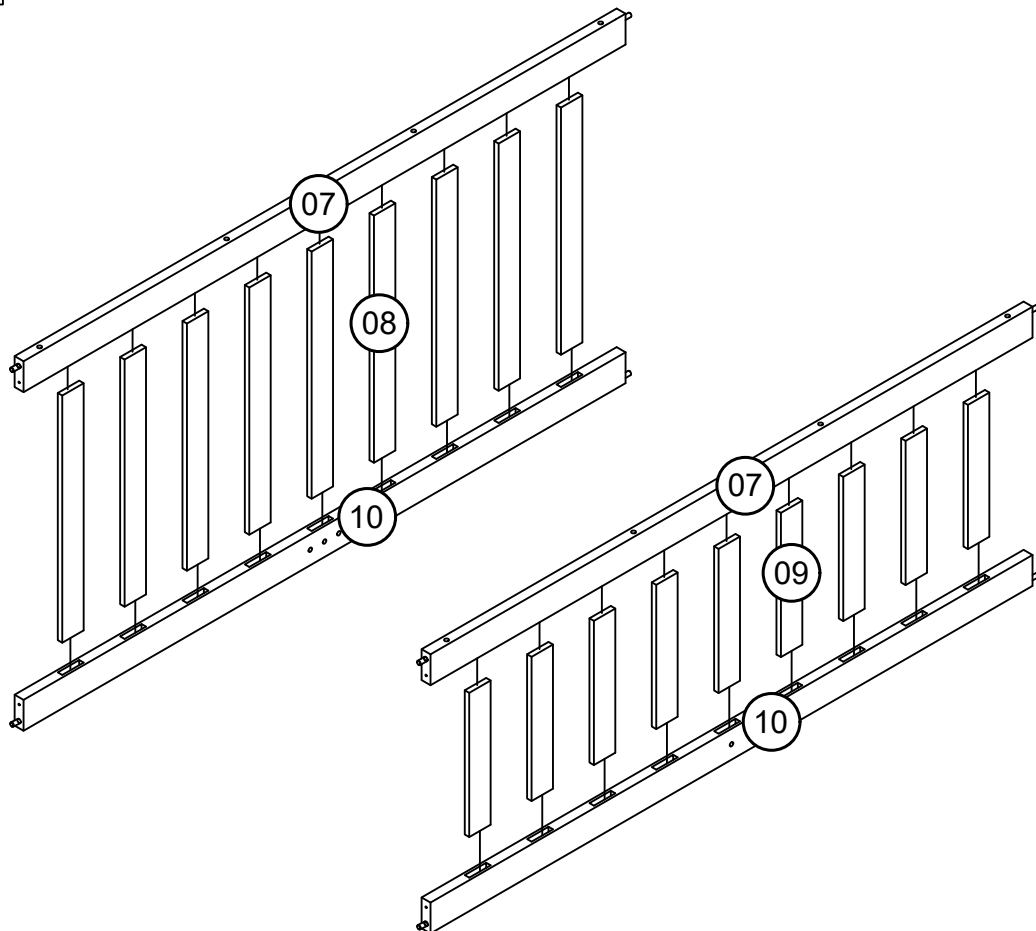
E	 15mm M6x70mm	08
F	 10mm Ø7x50mm	05
G	 8mm Ø4x30mm	24
H		02



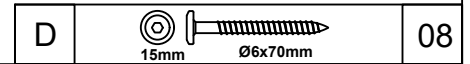
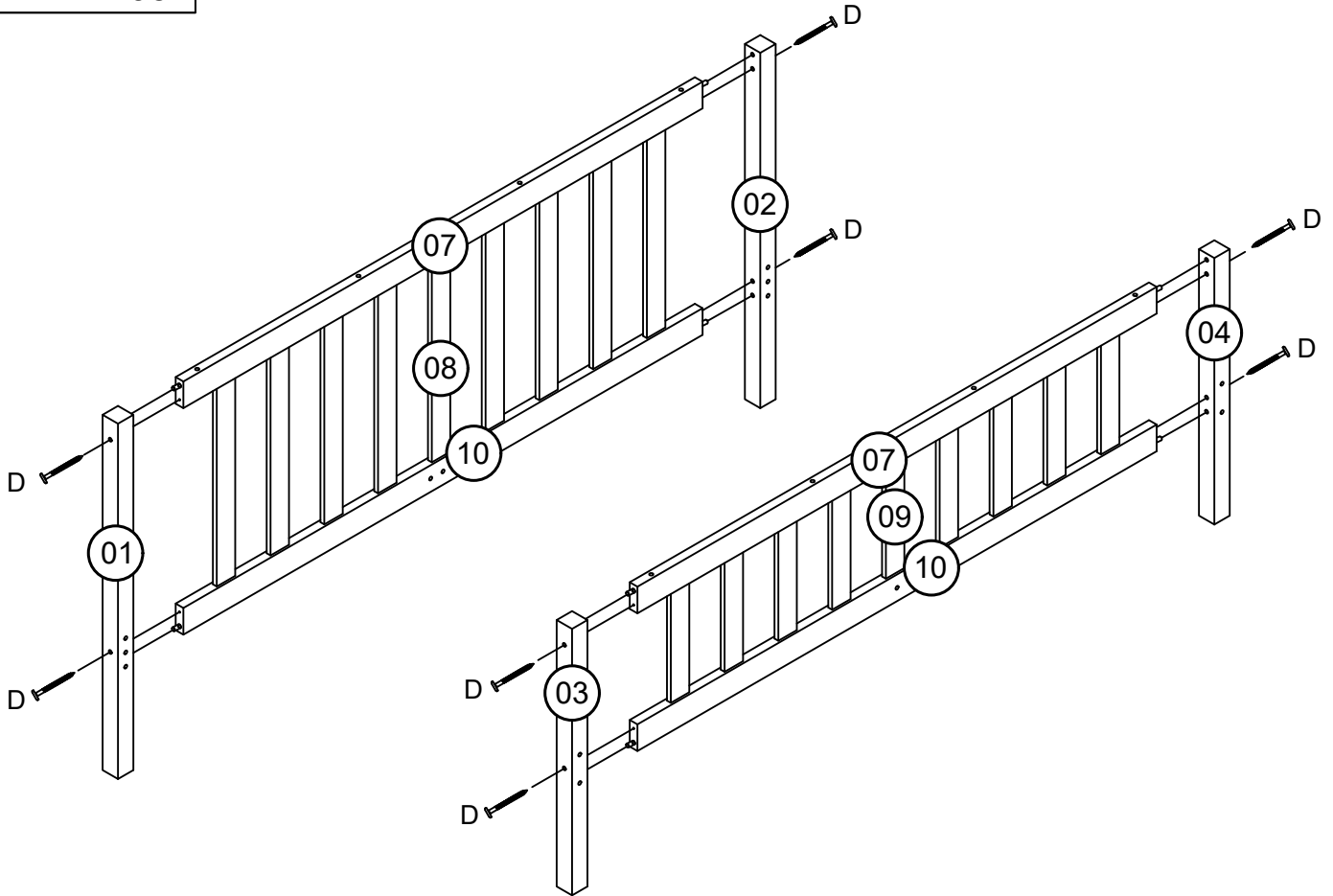
STEP 01



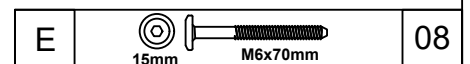
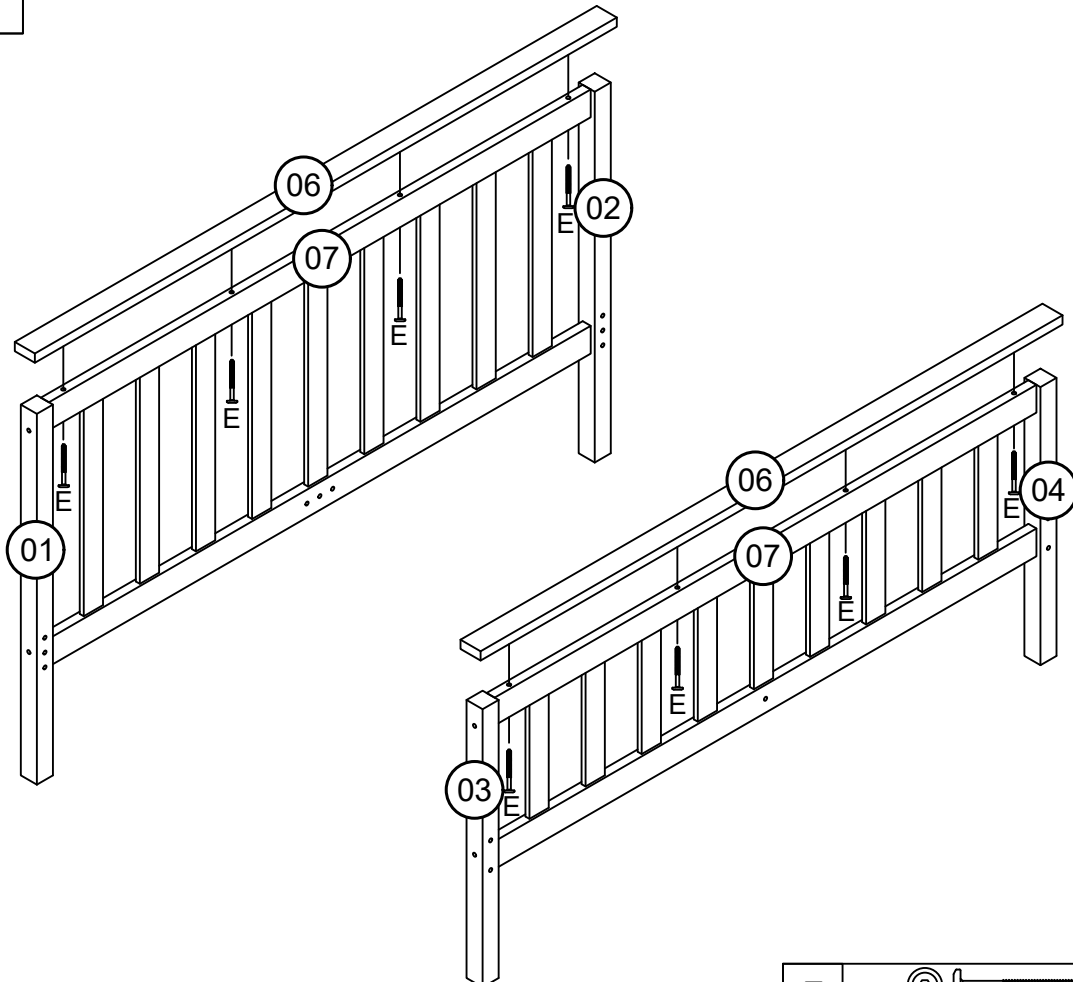
STEP 02



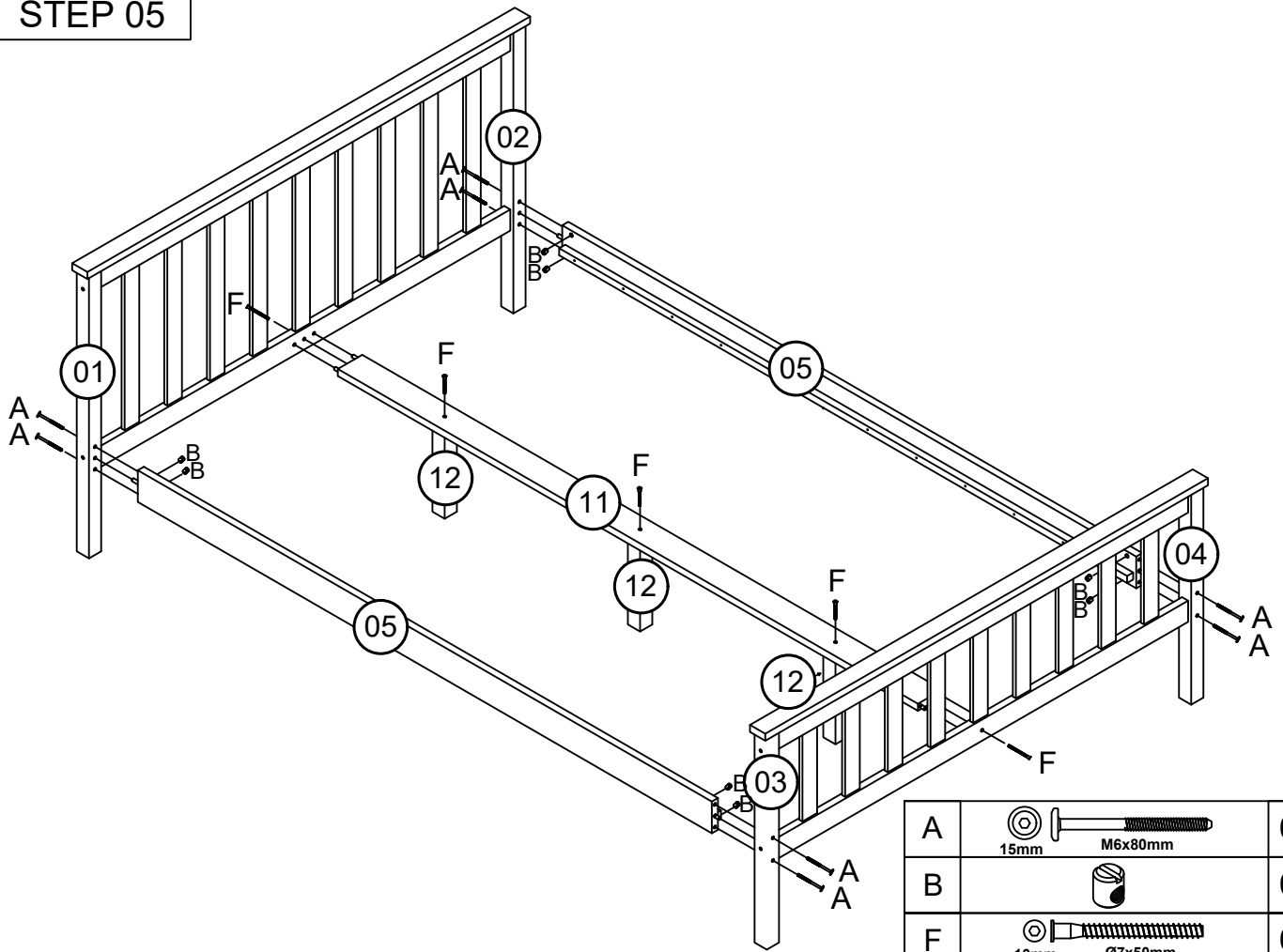
STEP 03






STEP 04

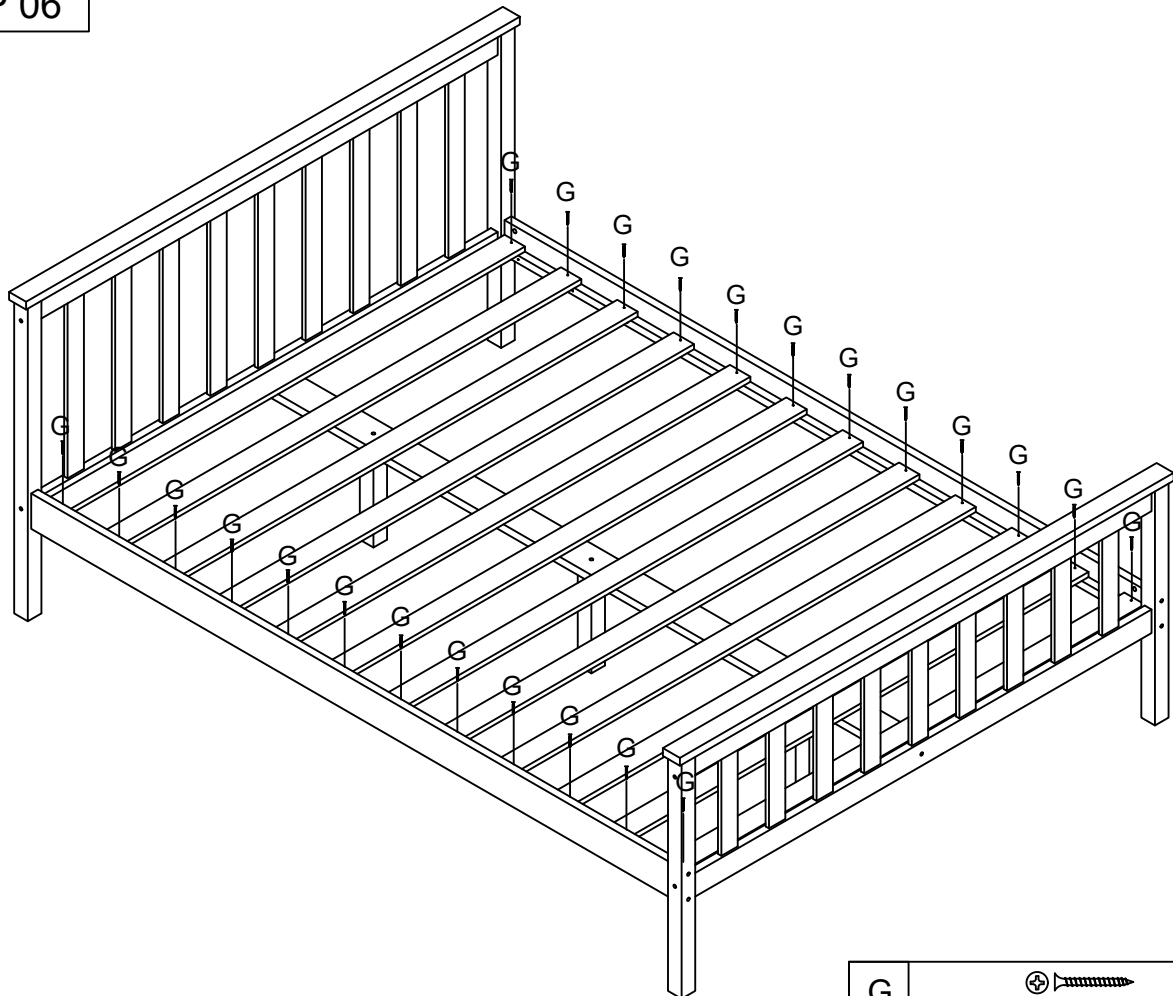



STEP 05



A	 15mm M6x80mm	08
B		08
F	 10mm Ø7x50mm	05

STEP 06



G	 8mm Ø4x30mm	24
---	---	----

RETURN / DAMAGE CLAIM INSTRUCTIONS

1. **DO NOT** discard of the box / original packaging.

In case a return is required, the item must be returned in original box. Without this your return will not be accepted.

2. Take a photo of the box markings.

A photo of the markings (text) on the box is required in case a part is needed for replacement. This helps our staff identify your product number to ensure you receive the correct parts.

3. Take a photo / Video of Damage (if applicable).

A photo /Video of the damage is always required to file a claim and get your replacement or refund processed quickly. Please make sure you have the box even if it is damaged.

4. Send us an email with the images requested.

Email us directly with the attached images, order number (SOXXXX) and a description of your claim.

Auckland / Waikato / BOP Branch:	sales@tsbliving.co.nz
Christchurch Branch:	customersupport@tsbliving.co.nz
Wellington Branch:	wellington@tsbliving.co.nz