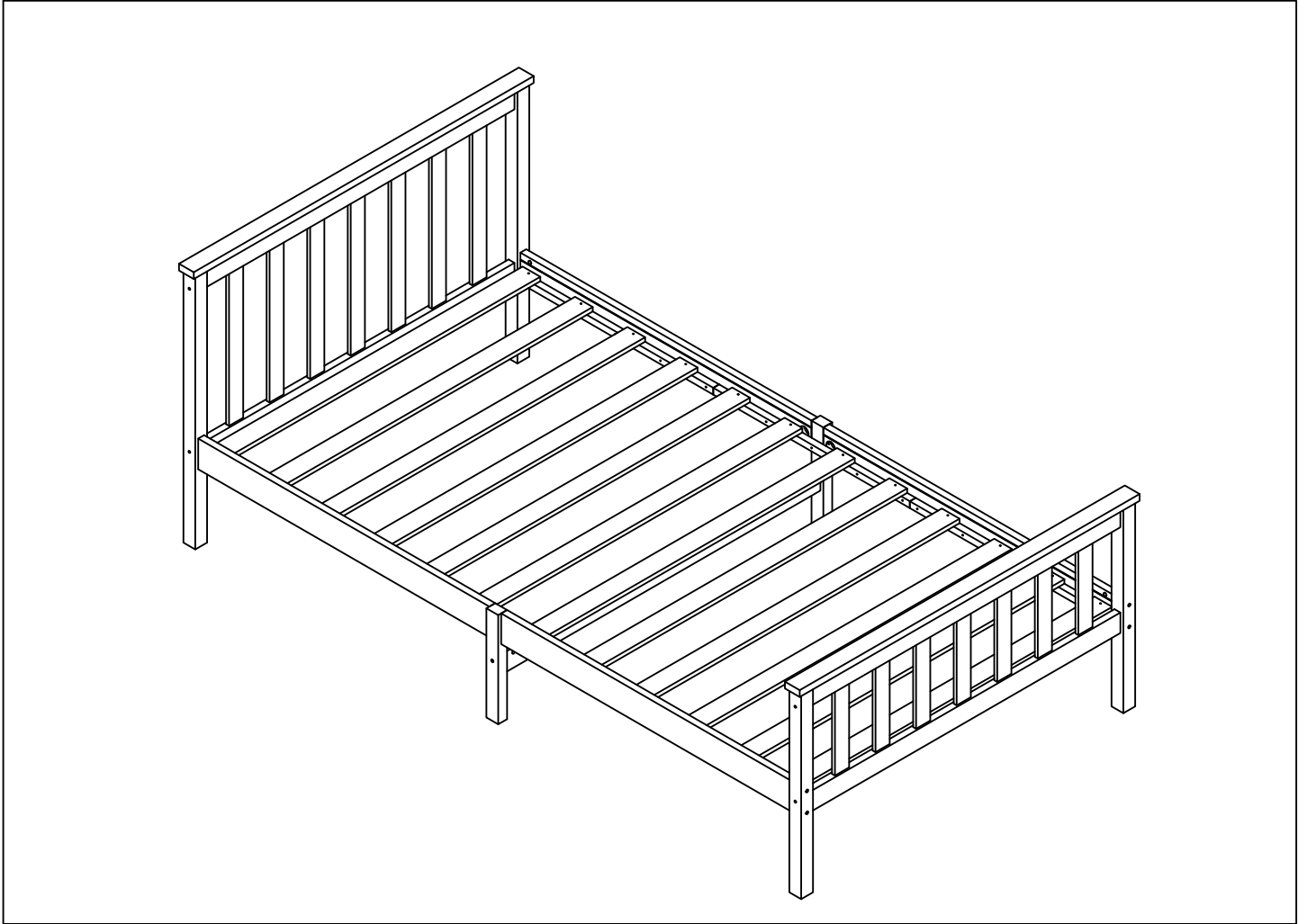
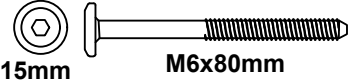


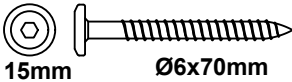
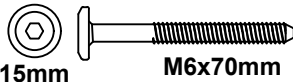
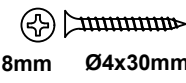



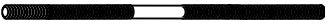
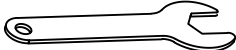
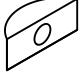


# Assembly Instructions

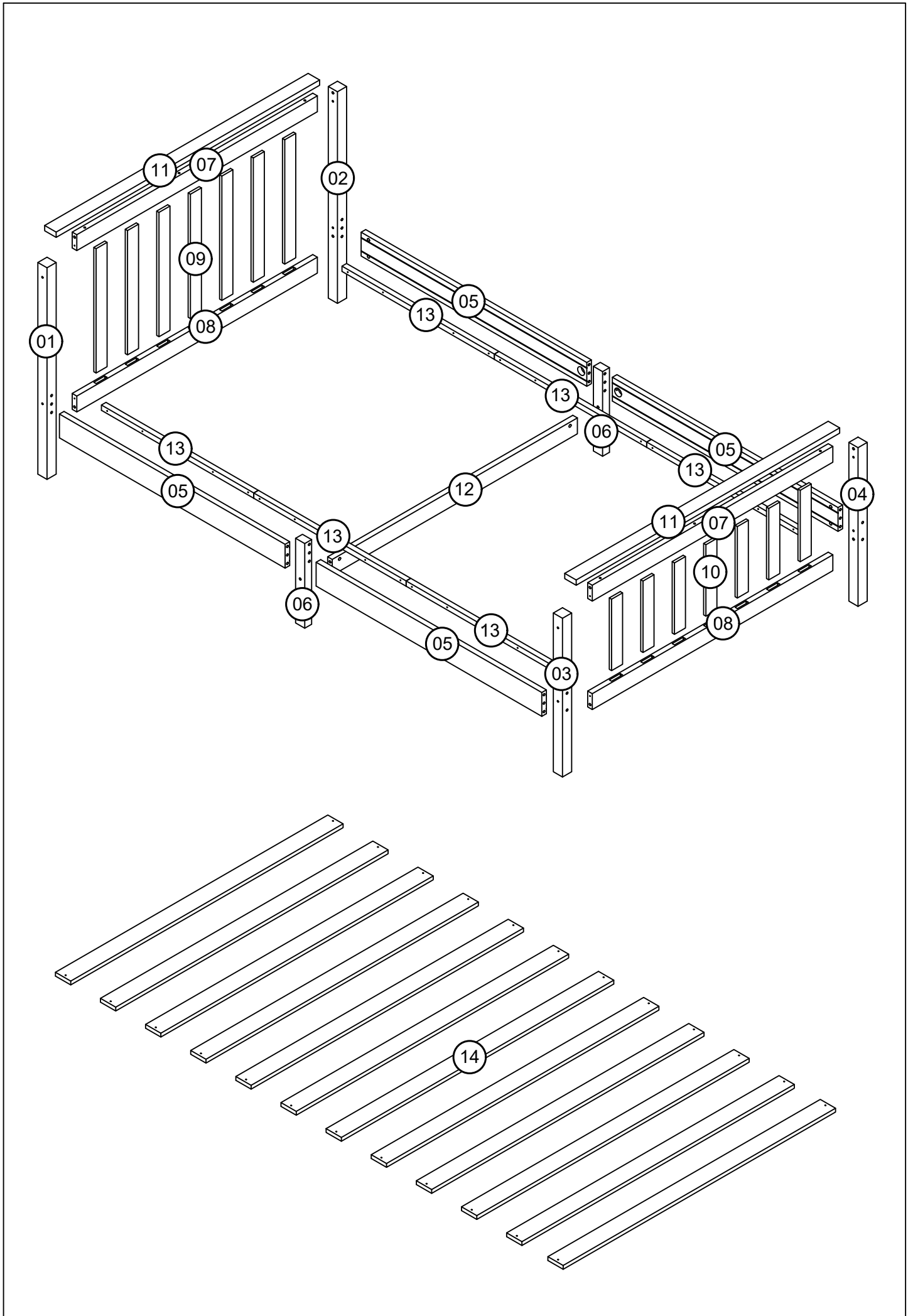
Inner size:2030\*1070mm



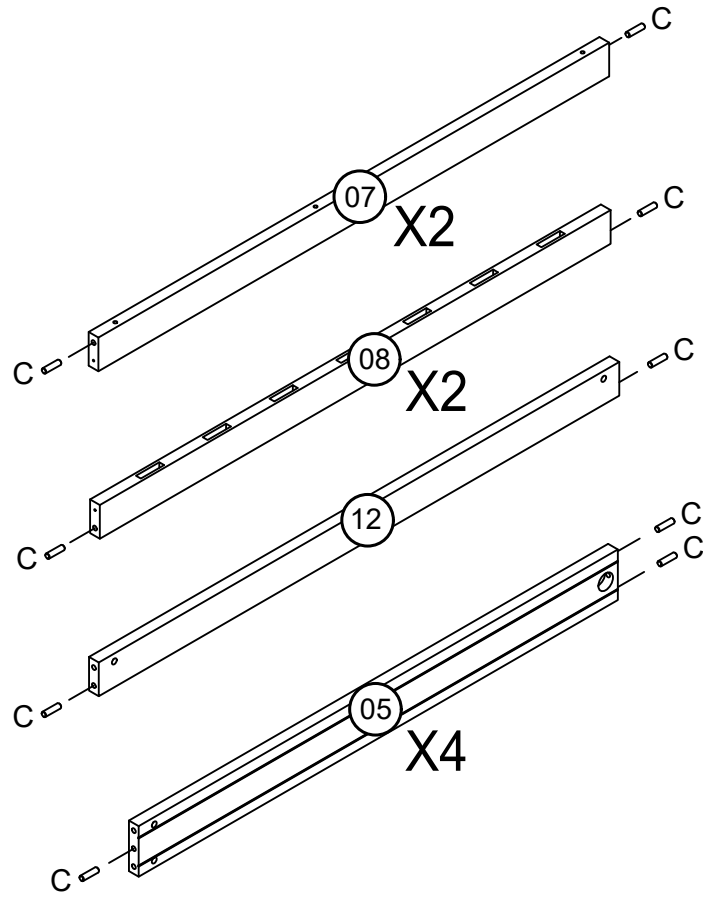
## HARDWARE

<b>A</b>	 15mm M6x80mm	<b>08</b>
<b>B</b>		<b>10</b>
<b>C</b>	 Ø8x30mm	<b>22</b>
<b>D</b>	 15mm Ø6x70mm	<b>08</b>
<b>E</b>	 15mm M6x70mm	<b>08</b>
<b>F</b>	 8mm Ø4x30mm	<b>54</b>

<b>G</b>		<b>02</b>
<b>H</b>	 M6x140mm	<b>02</b>
<b>I</b>		<b>02</b>
<b>J</b>		<b>04</b>
<b>K</b>		<b>04</b>
<b>L</b>		<b>04</b>

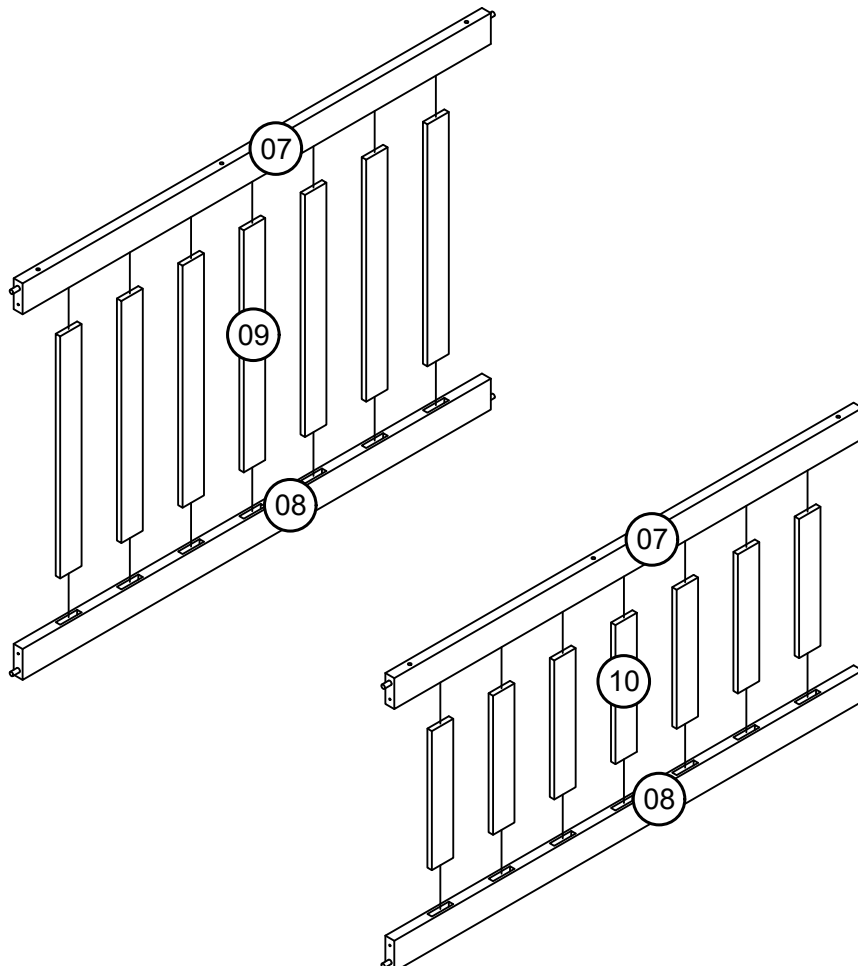


STEP 01

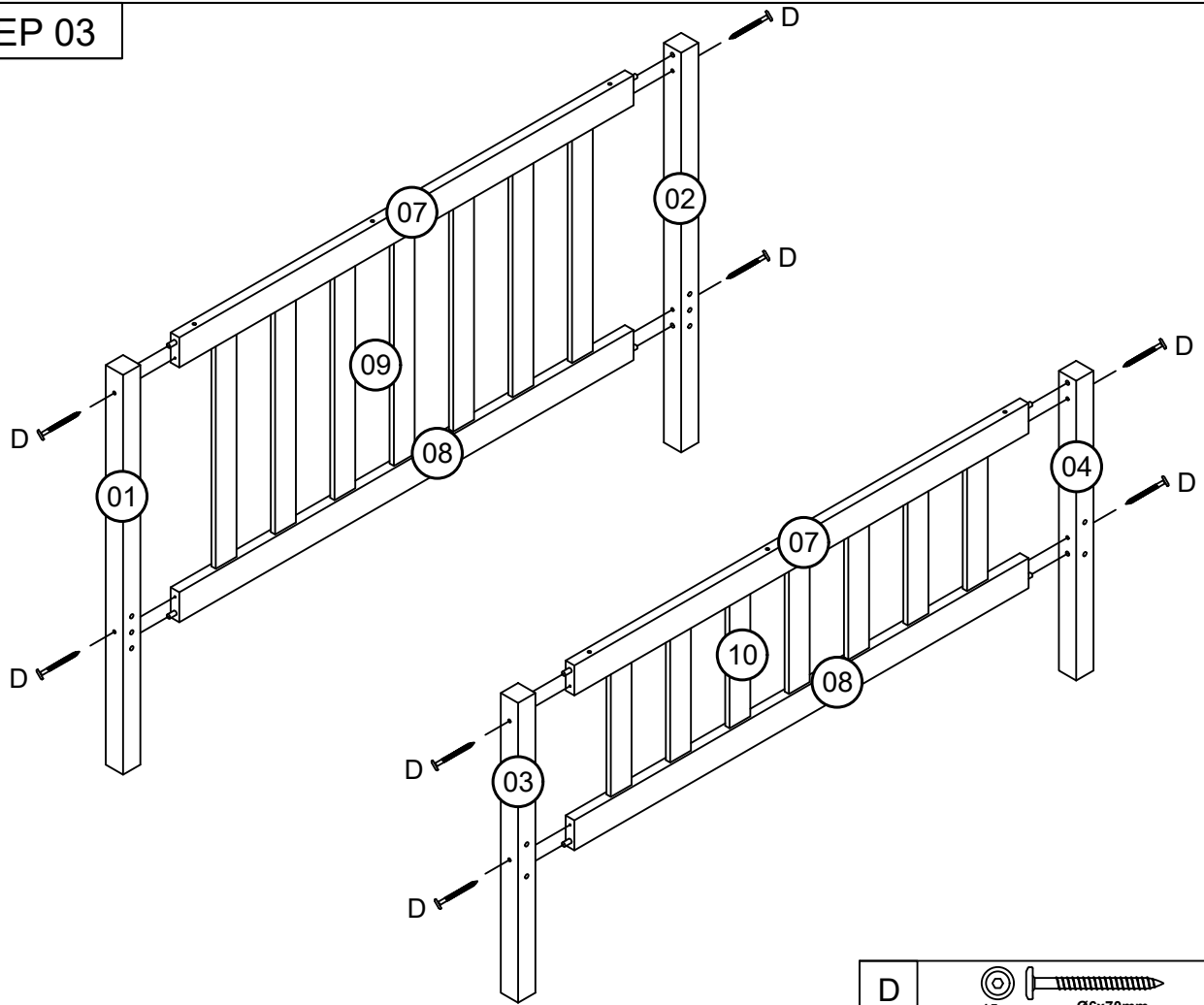



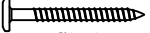
C	 Ø8x30mm	22
---	--	----

STEP 02

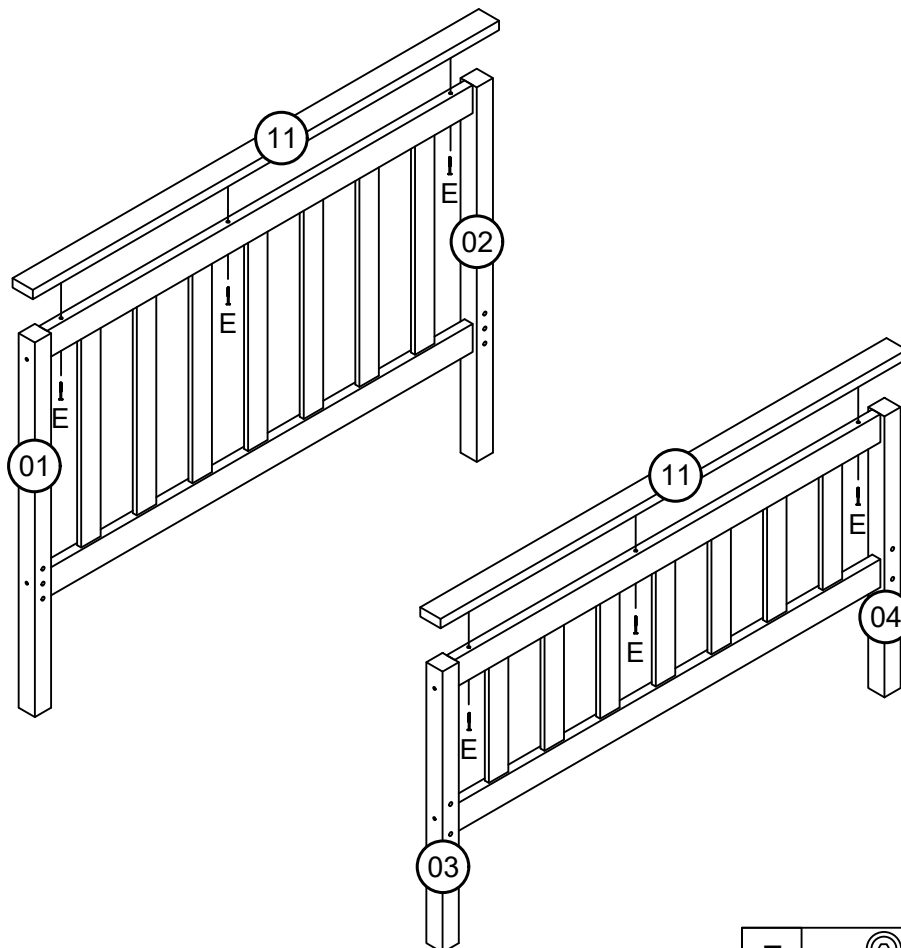




STEP 03



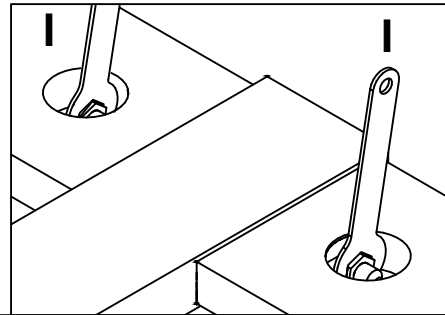
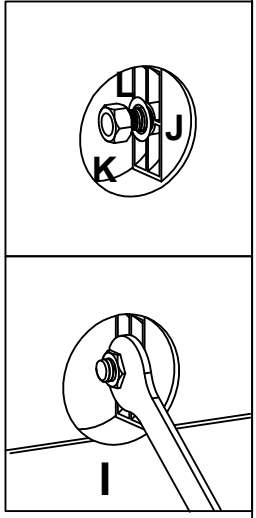
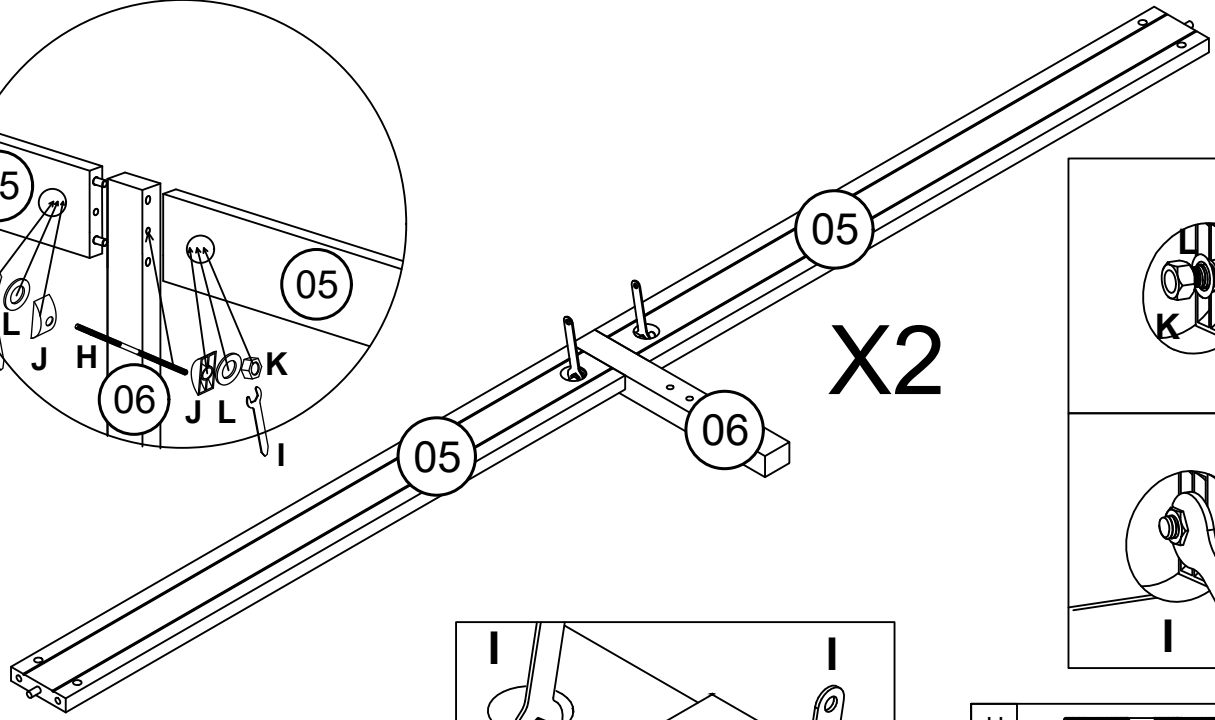
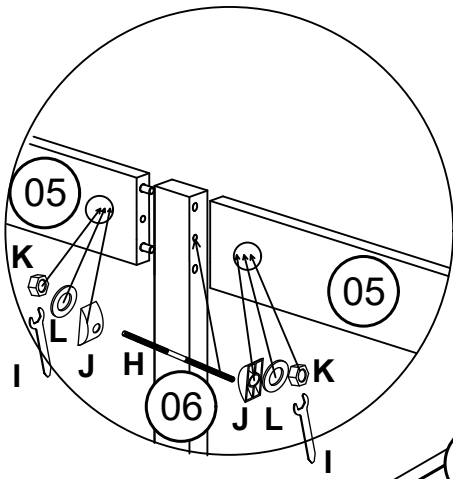
D	 15mm	 Ø6x70mm	08
---	--	---	----

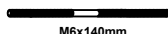
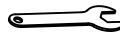



STEP 04



E	 15mm	 M6x70mm	06
---	--	---	----

STEP 05

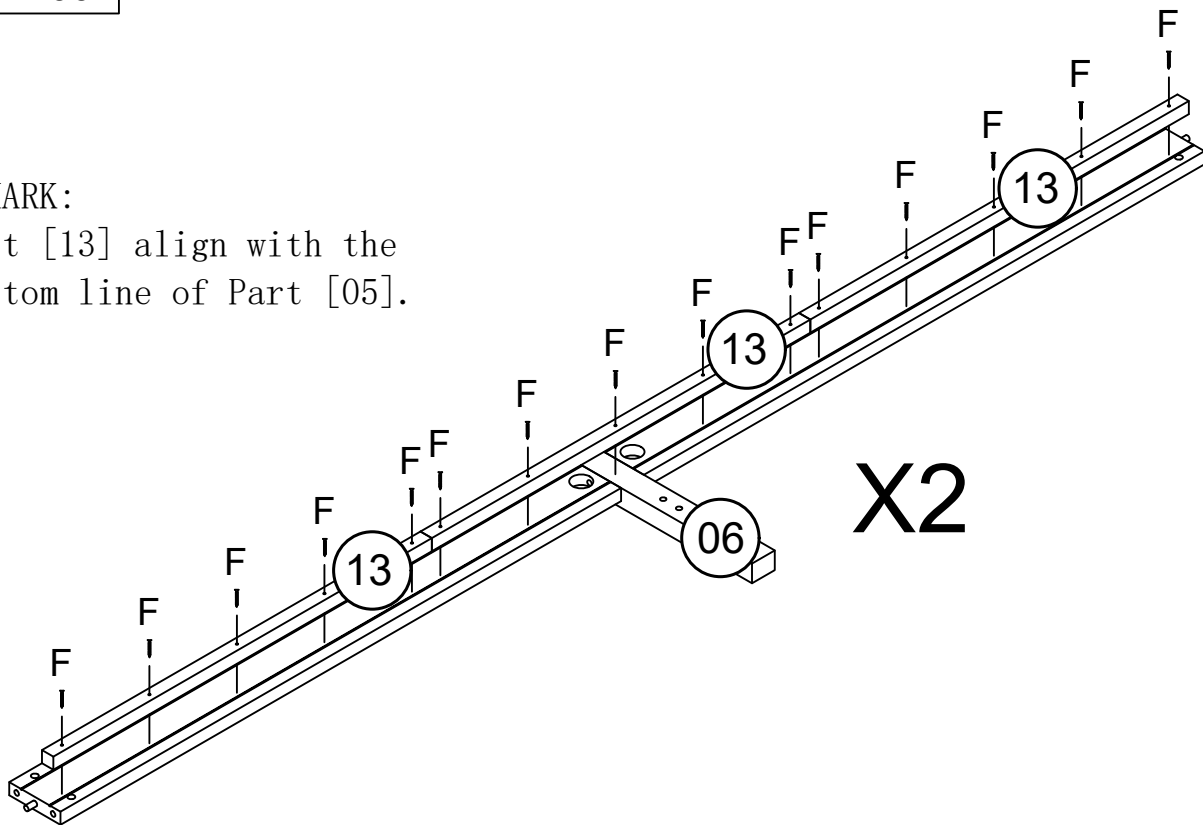


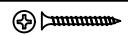
H	 M6x140mm	02
I		02
J		04
K		04
L		04

STEP 06

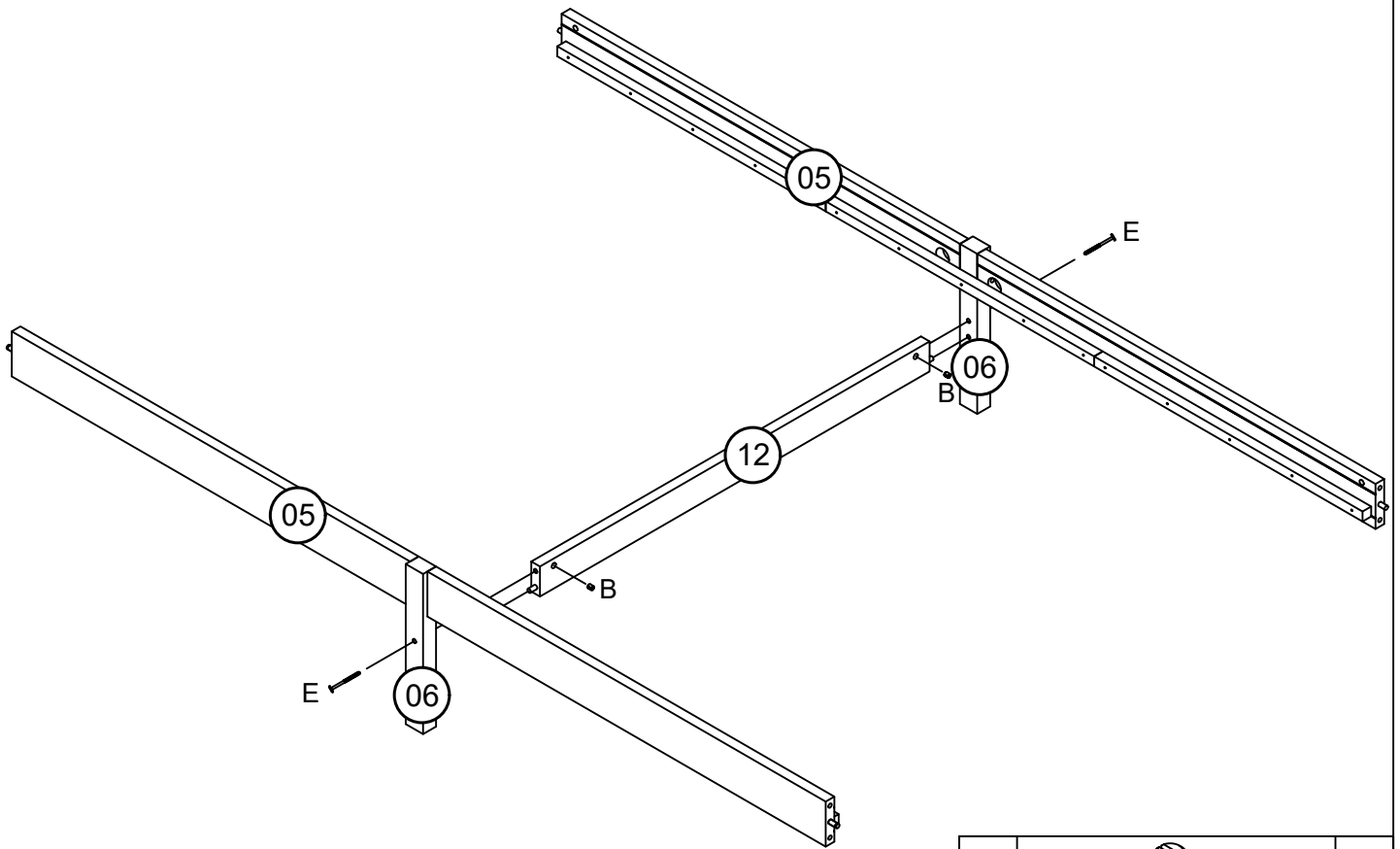
REMARK:



Part [13] align with the bottom line of Part [05].



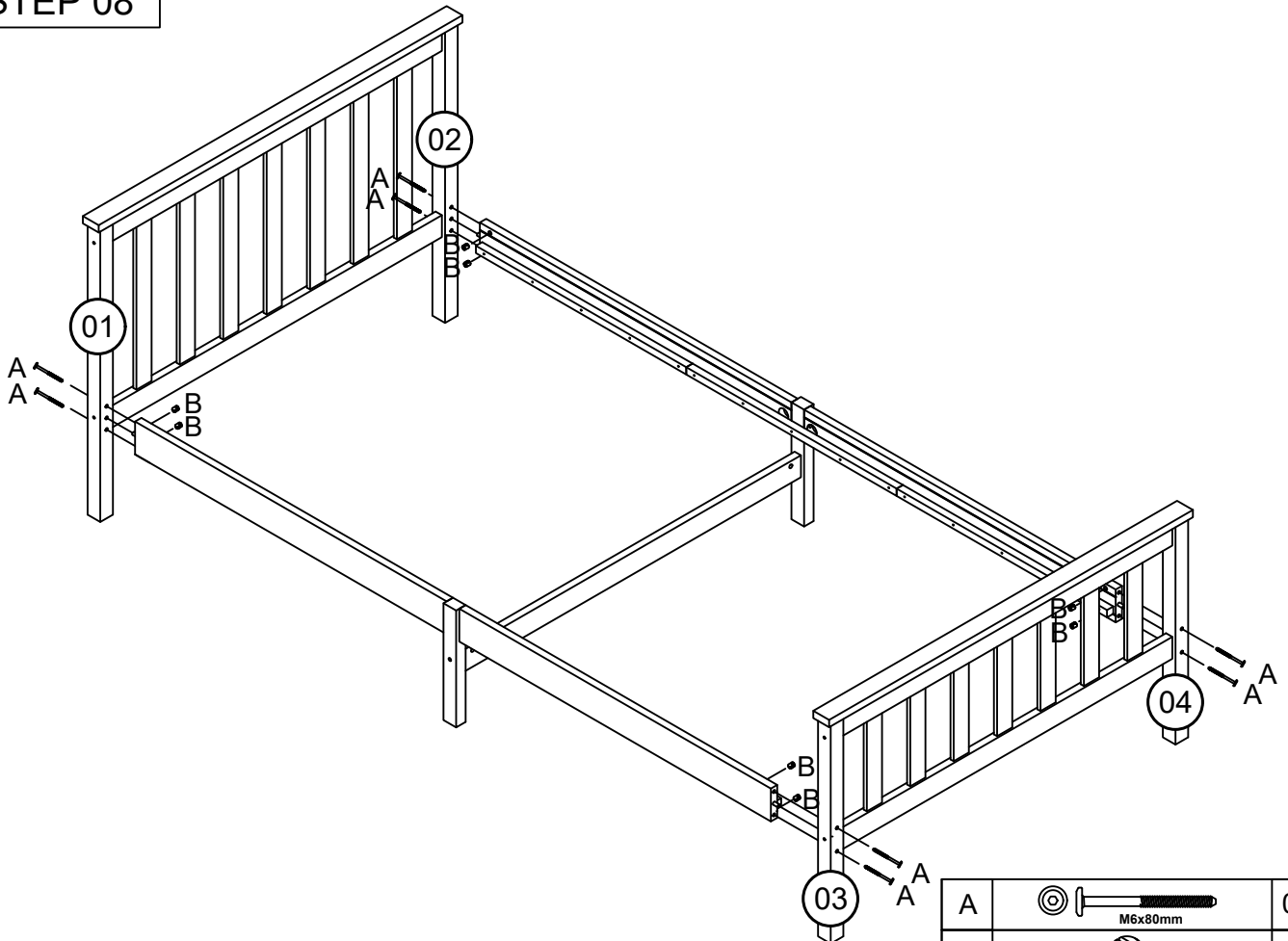
F	 8mm Ø4x30mm	30
---	---	----

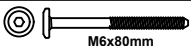

STEP 07



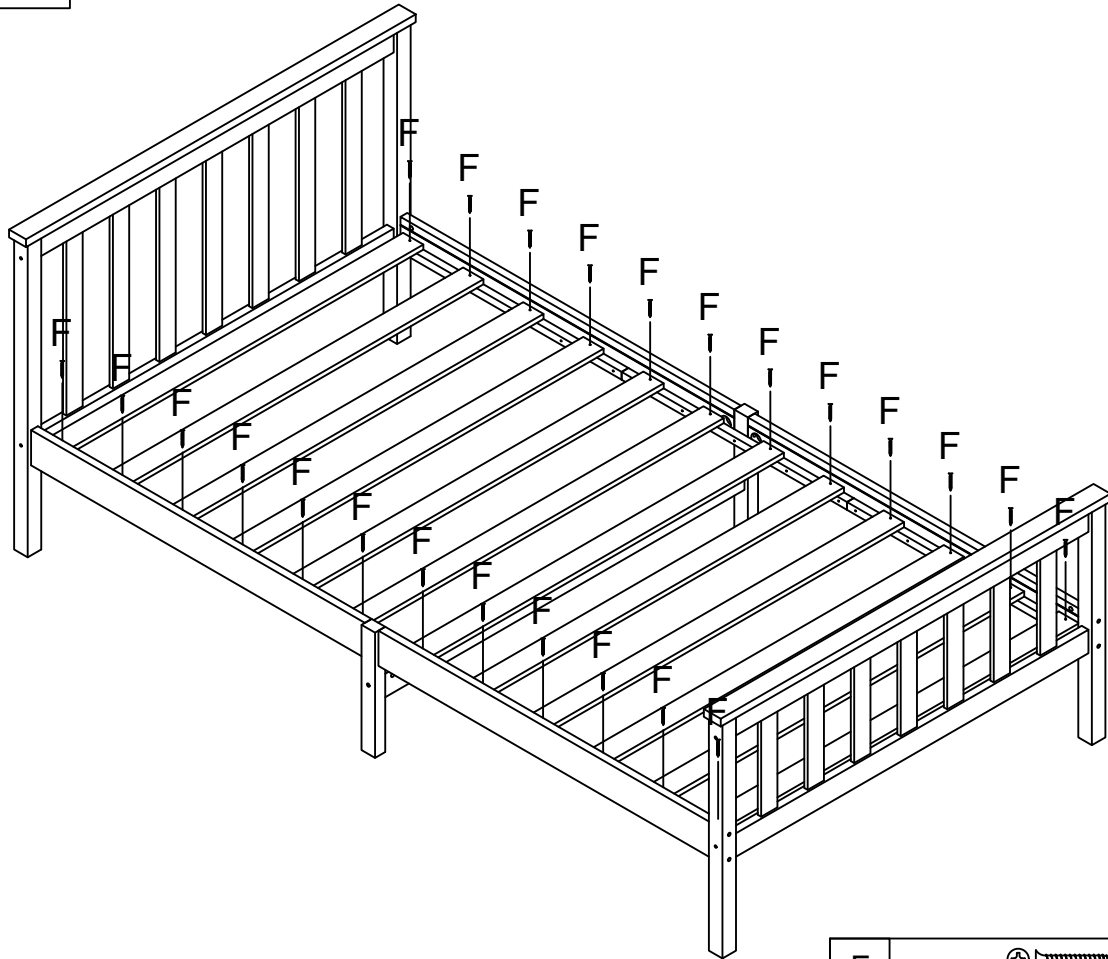
B		02
E	 15mm M6x70mm	02

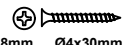
STEP 08



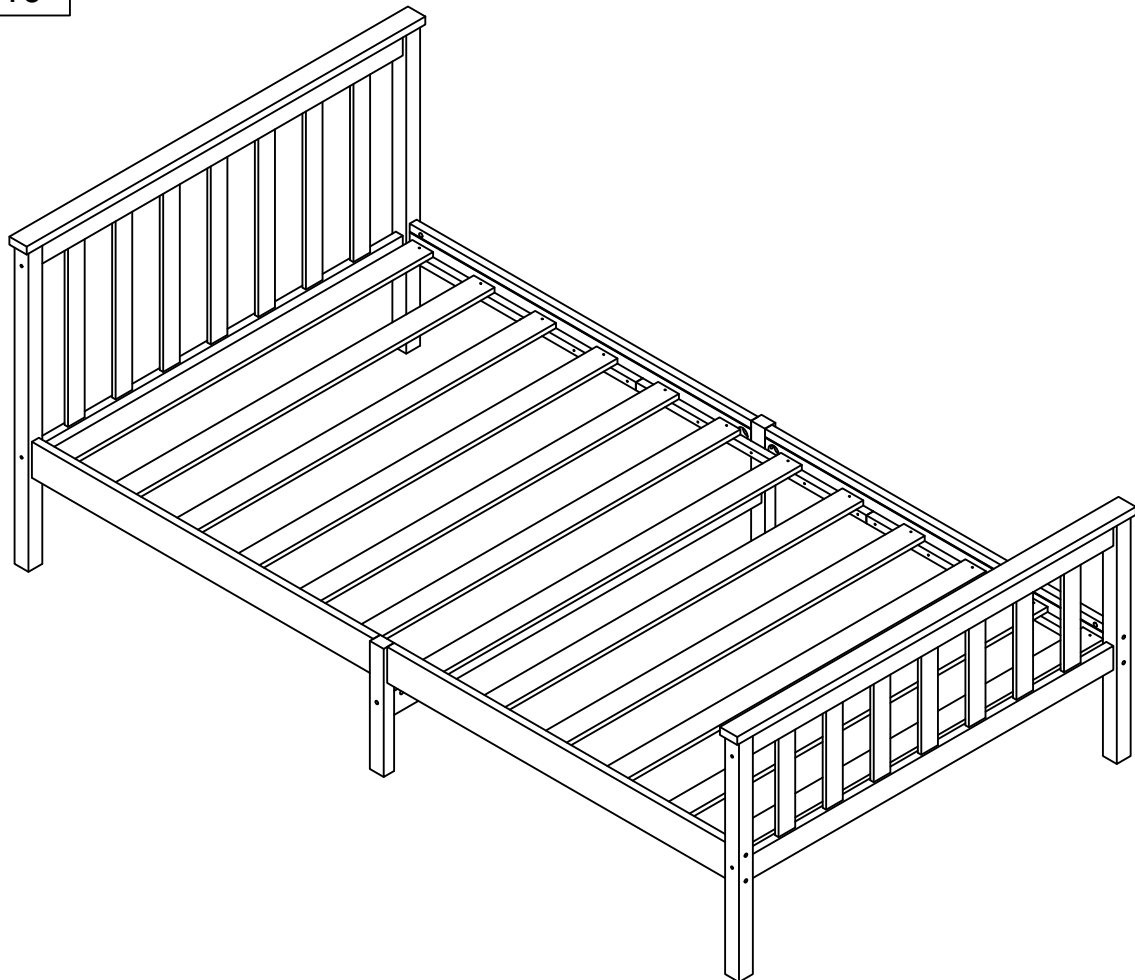
A	 M6x80mm	08
B		08

STEP 09



F	 8mm Ø4x30mm	24
---	--	----

STEP 10



# **RETURN / DAMAGE CLAIM INSTRUCTIONS**

## 1. **DO NOT** discard of the box / original packaging.

In case a return is required, the item must be returned in original box. Without this your return will not be accepted.

## 2. Take a photo of the box markings.

A photo of the markings (text) on the box is required in case a part is needed for replacement. This helps our staff identify your product number to ensure you receive the correct parts.

## 3. Take a photo / Video of Damage (if applicable).

A photo /Video of the damage is always required to file a claim and get your replacement or refund processed quickly. Please make sure you have the box even if it is damaged.

## 4. Send us an email with the images requested.

Email us directly with the attached images, order number (SOXXXX) and a description of your claim.

Auckland / Waikato / BOP Branch:	<a href="mailto:sales@tsbliving.co.nz">sales@tsbliving.co.nz</a>
Christchurch Branch:	<a href="mailto:customersupport@tsbliving.co.nz">customersupport@tsbliving.co.nz</a>
Wellington Branch:	<a href="mailto:wellington@tsbliving.co.nz">wellington@tsbliving.co.nz</a>