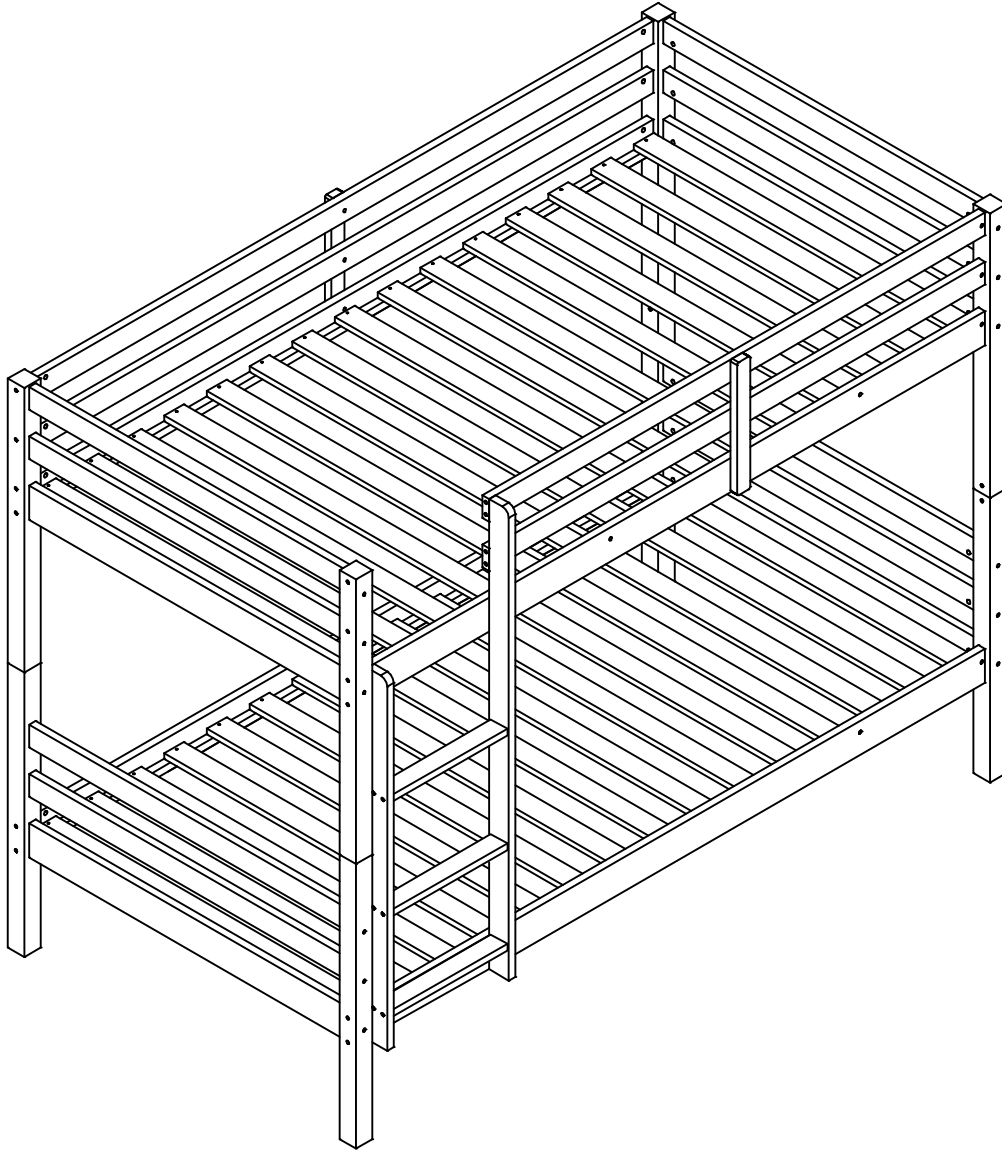
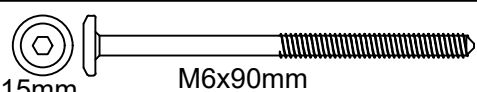


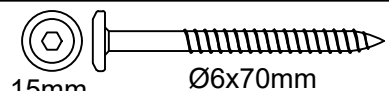
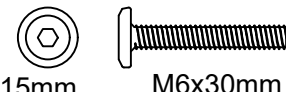
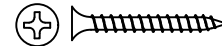




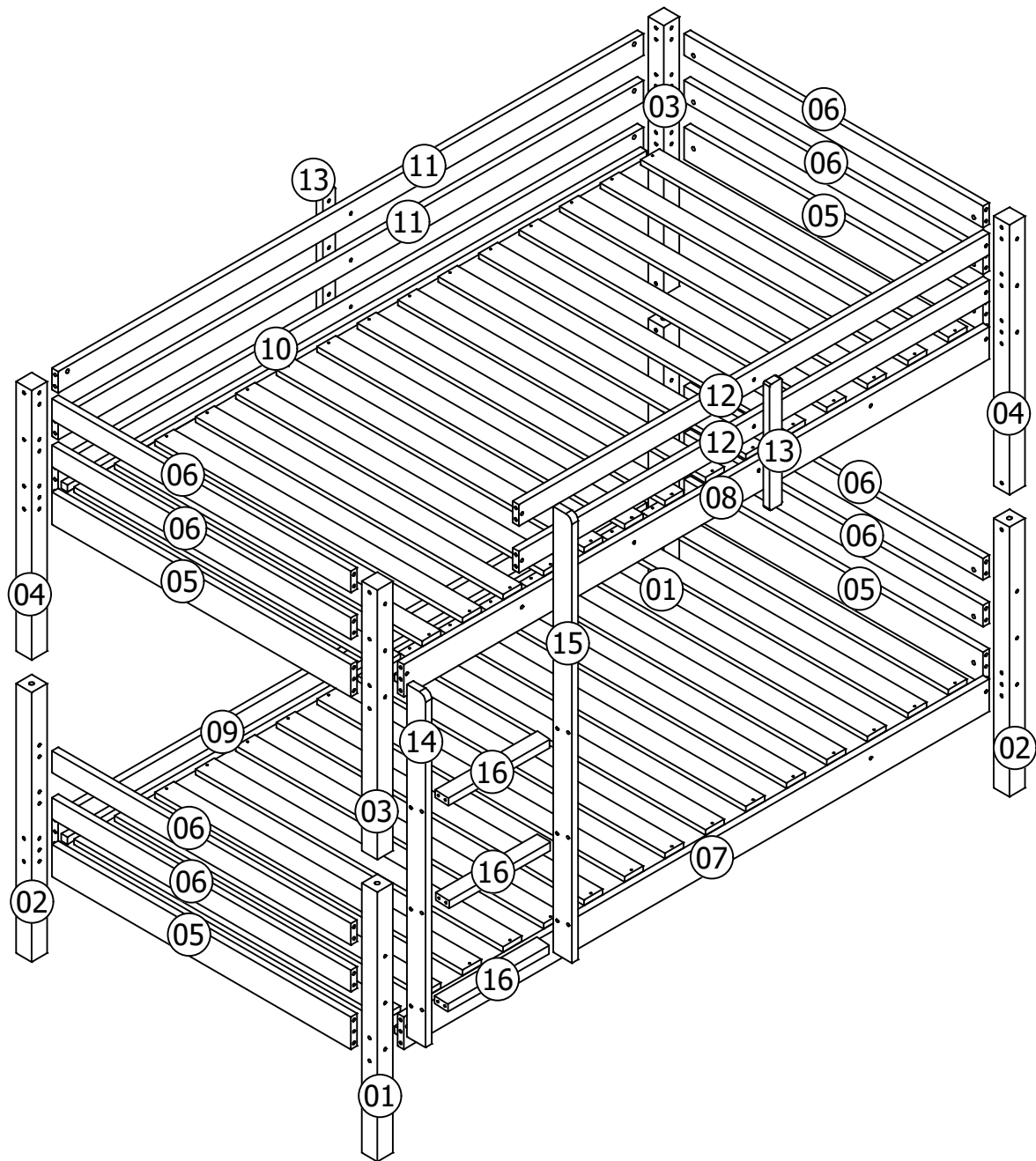
Assembly Instructions



HARDWARE

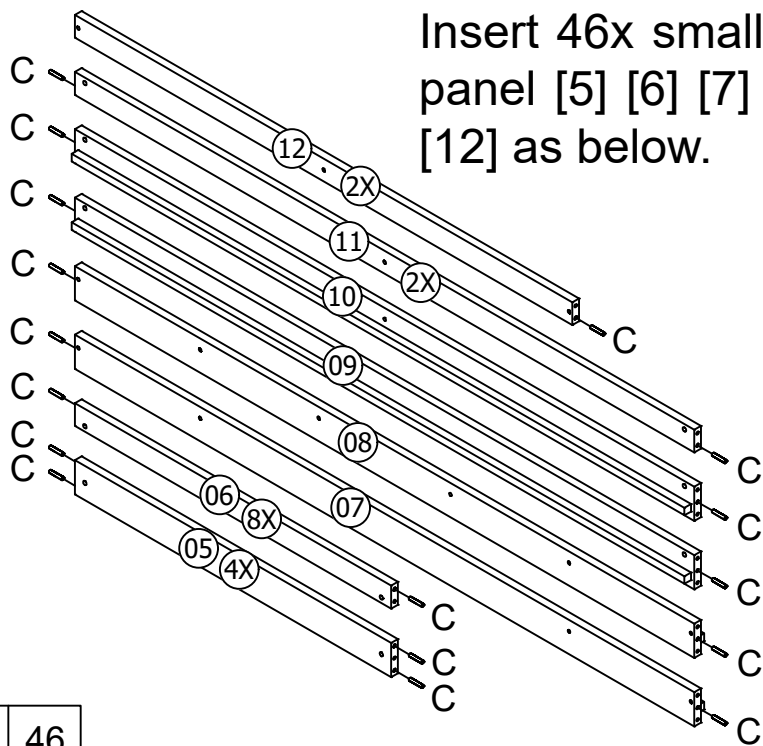
A	 15mm M6x90mm	46
B		46
C	 Ø8x30mm	46
D	 15mm Ø6x70mm	18


E	 15mm M6x30mm	06
F	 8mm Ø4x30mm	68
G	 Ø12x80mm	04
H		02



01

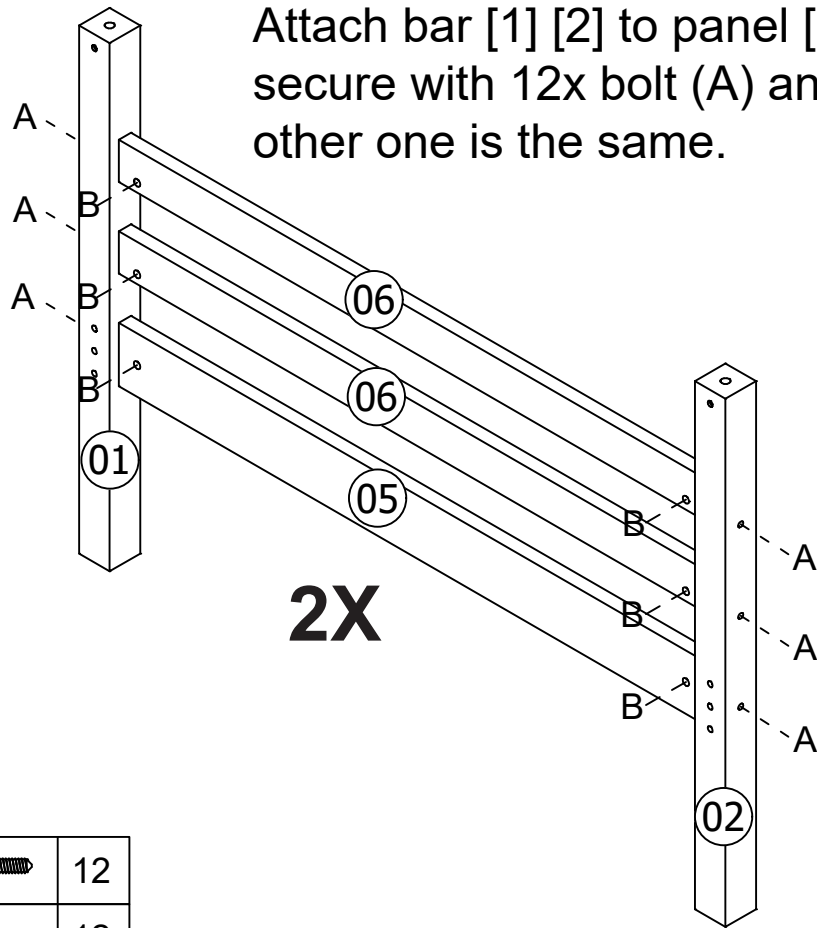
Insert 46x small dowel (C) into panel [5] [6] [7] [8] [9] [10] [11] [12] as below.





C		46
---	---	----

02

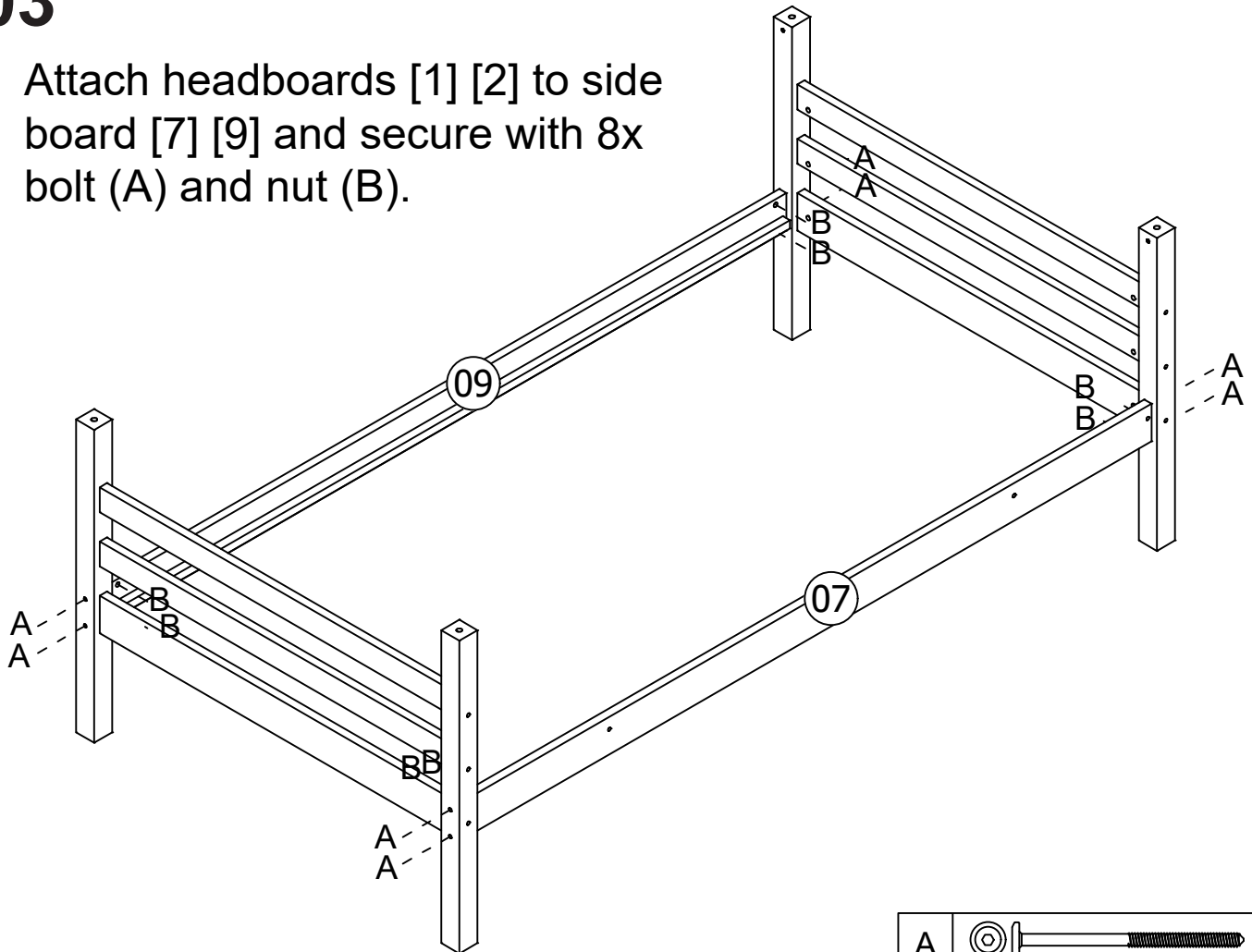
Attach bar [1] [2] to panel [5] [6] [6] and secure with 12x bolt (A) and nut (B). The other one is the same.





A	 15mm M6x90mm	12
B		12

03

Attach headboards [1] [2] to side board [7] [9] and secure with 8x bolt (A) and nut (B).

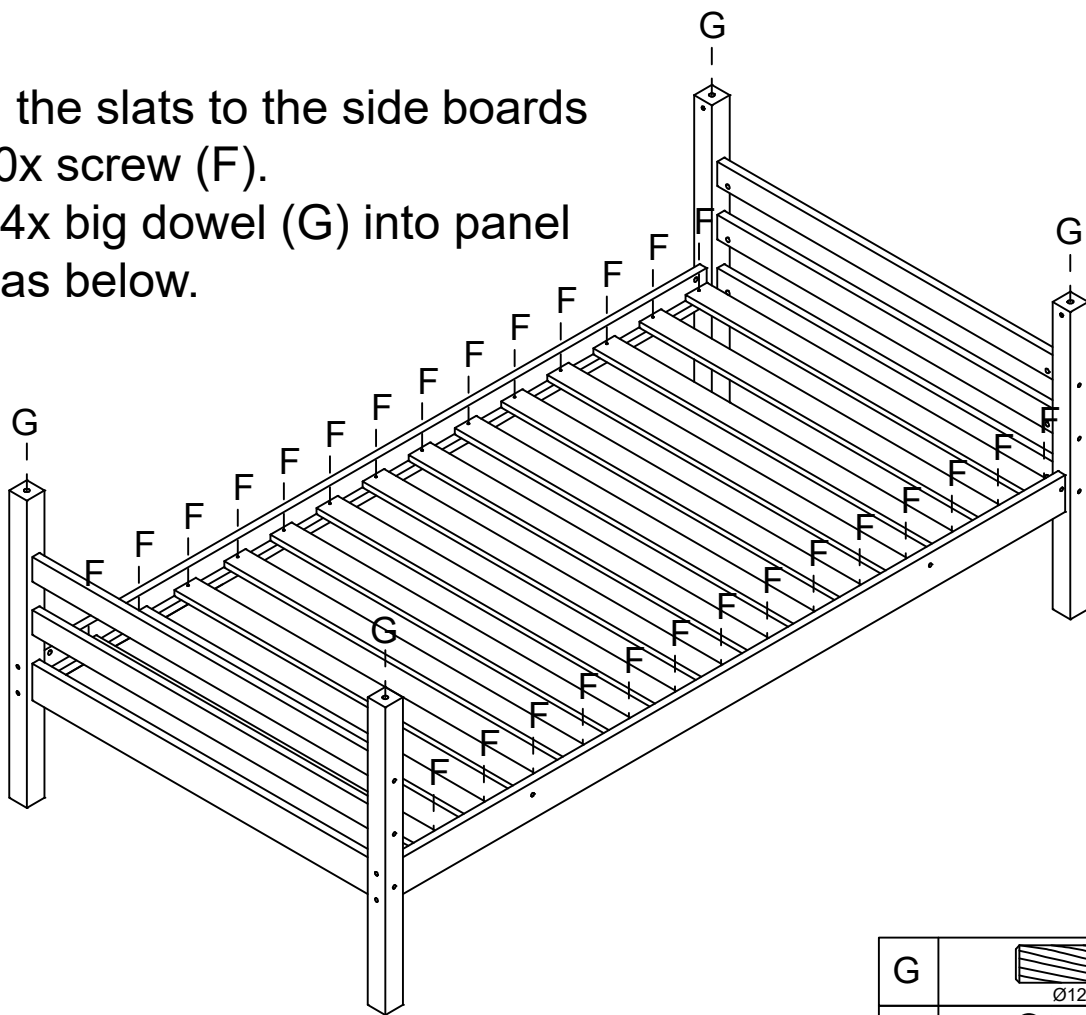



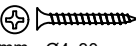
A	 15mm M6x90mm	08
B		08

04

Attach the slats to the side boards with 30x screw (F).

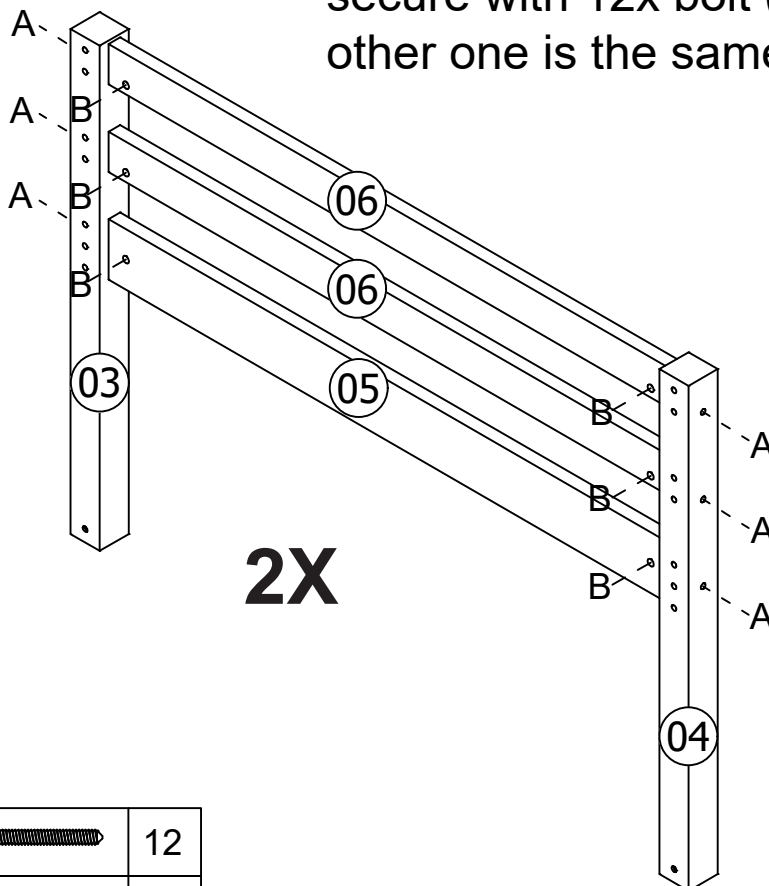
Insert 4x big dowel (G) into panel [1] [2] as below.

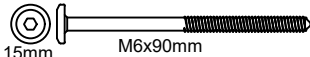



G	 Ø12x60mm	04
F	 8mm Ø4x30mm	30

05

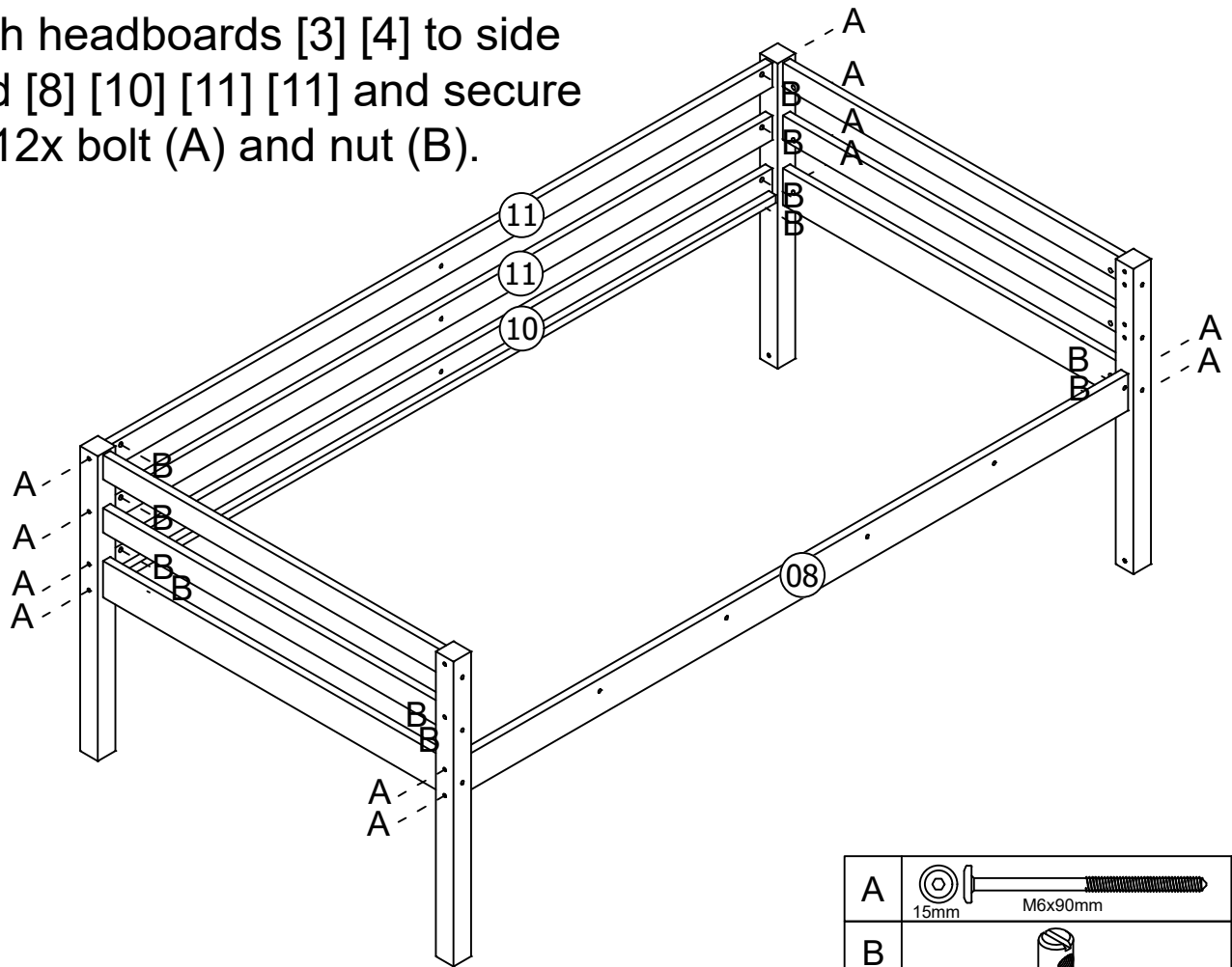
Attach bar [3] [4] to panel [5] [6] [6] and secure with 12x bolt (A) and nut (B). The other one is the same.



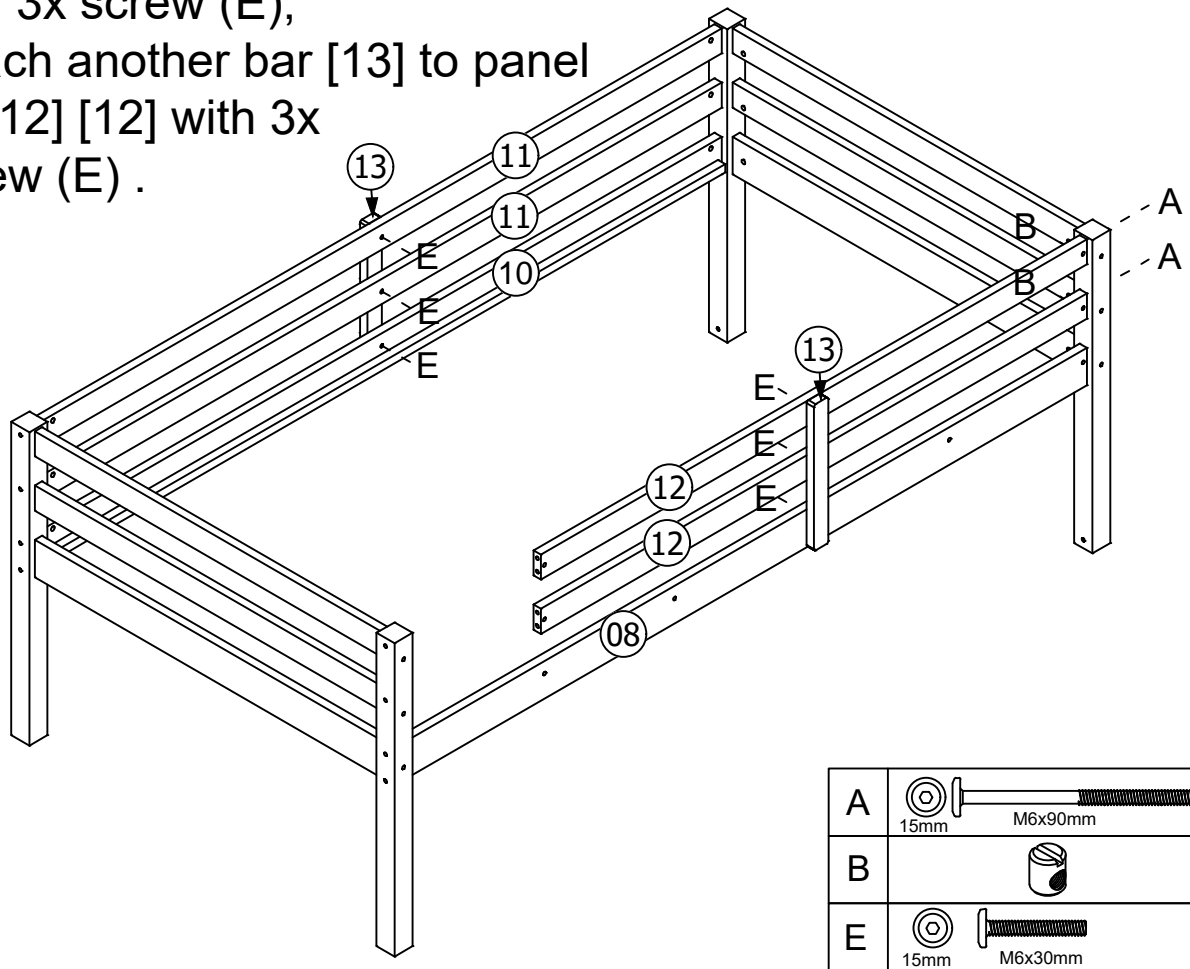
A	 15mm M6x90mm	12
B		12

06

Attach headboards [3] [4] to side board [8] [10] [11] [11] and secure with 12x bolt (A) and nut (B).

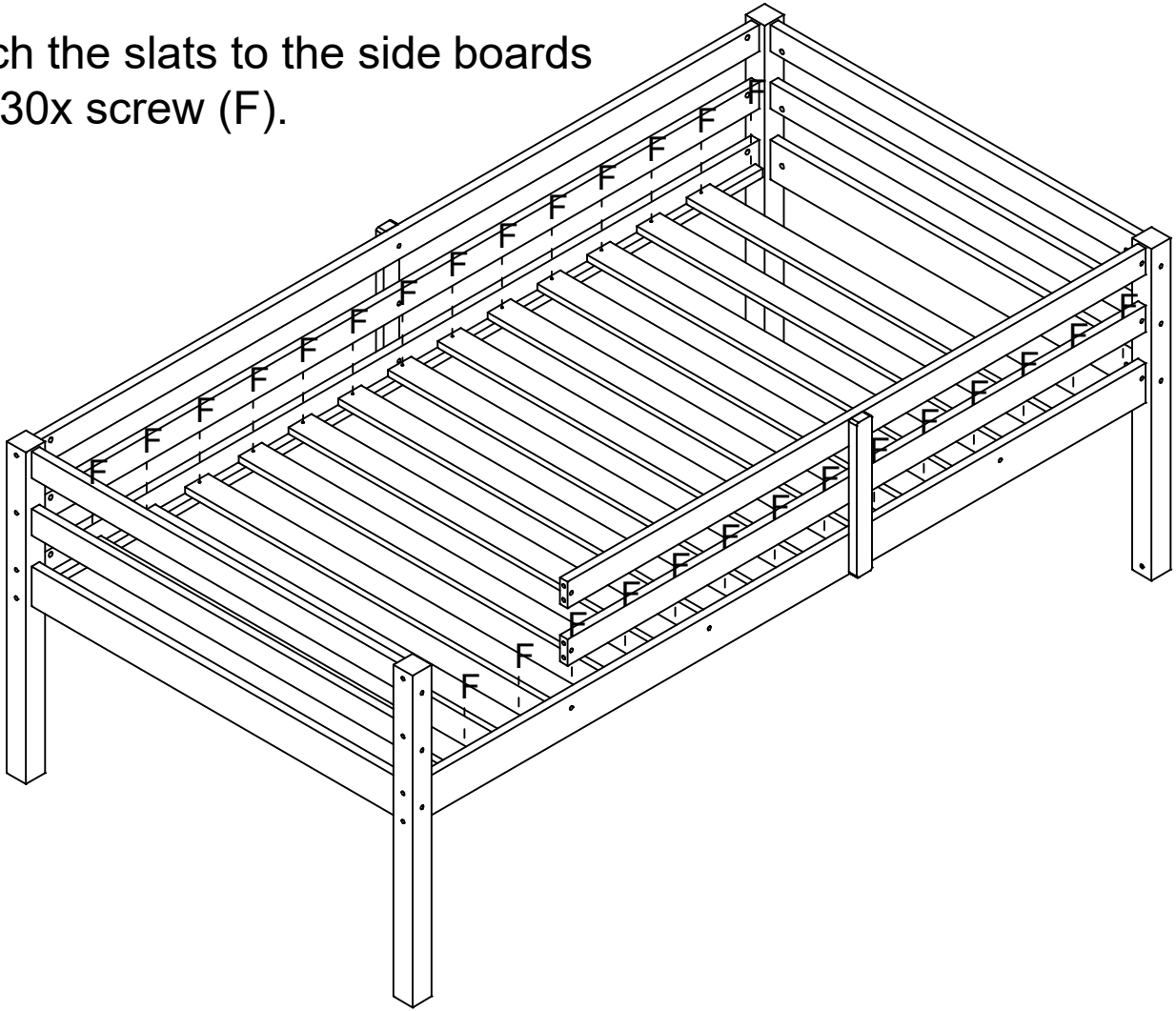


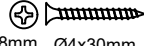
07 Attach bar [13] to panel [10] [11] [11] with 3x screw (E);
Attach another bar [13] to panel [8] [12] [12] with 3x screw (E) .



08

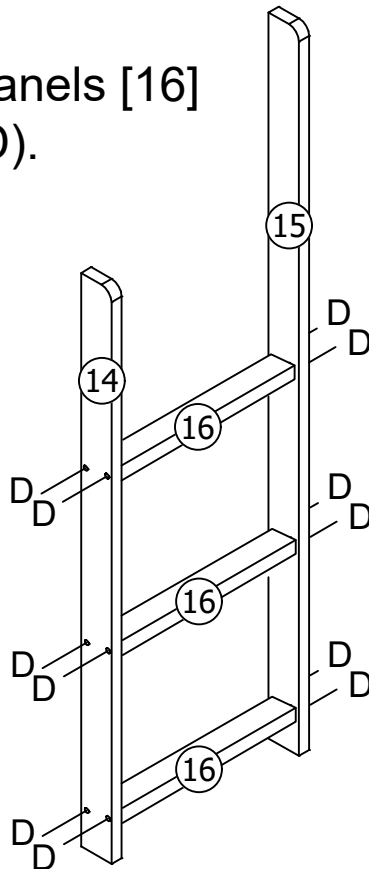
Attach the slats to the side boards with 30x screw (F).

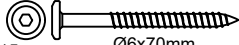


F	 8mm Ø4x30mm	30
---	--	----

09

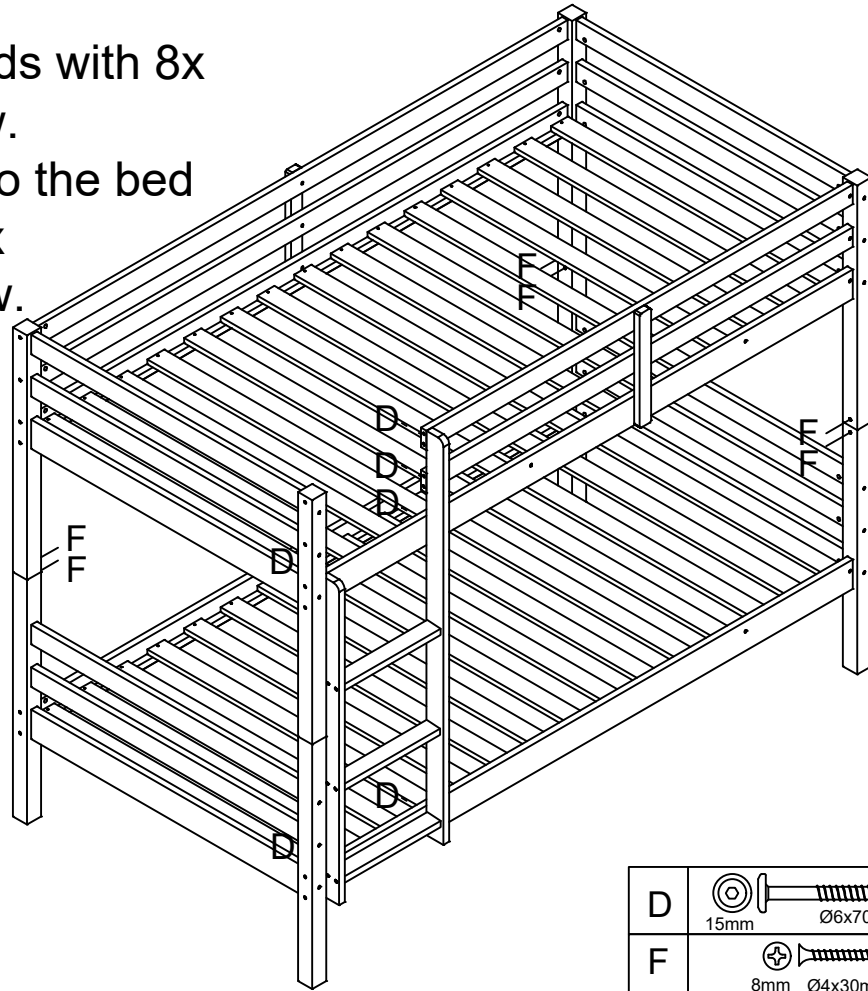
Attach panel [14] [15] to 3x panels [16] and secure with 12x screw (D).


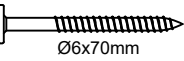

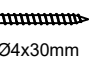


D	 15mm Ø6x70mm	12
---	---	----

10

Secure the two beds with 8x screw (F) as below.
Attach the ladder to the bed and secure with 6x screw (D) as below.



D	 15mm	 Ø6x70mm	06
F	 8mm	 Ø4x30mm	08

11

This bunk bed could be split into two single beds.

