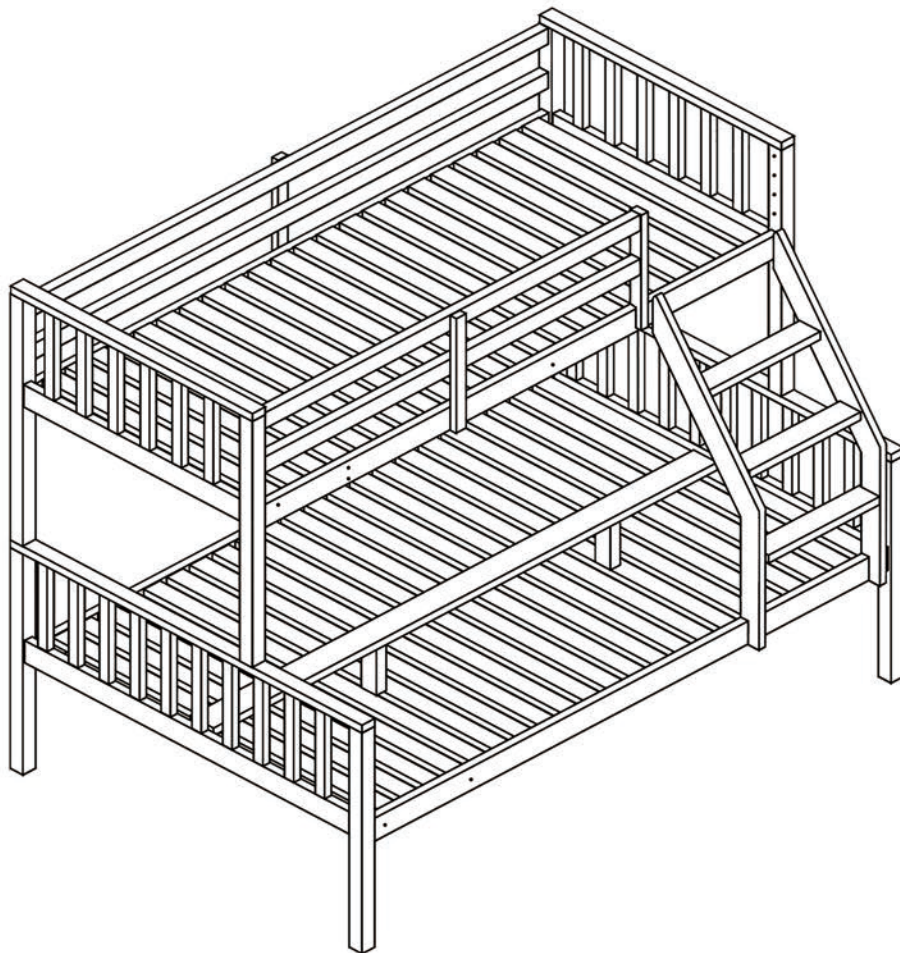

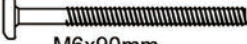




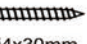



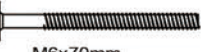

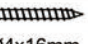



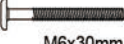


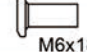


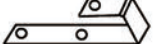


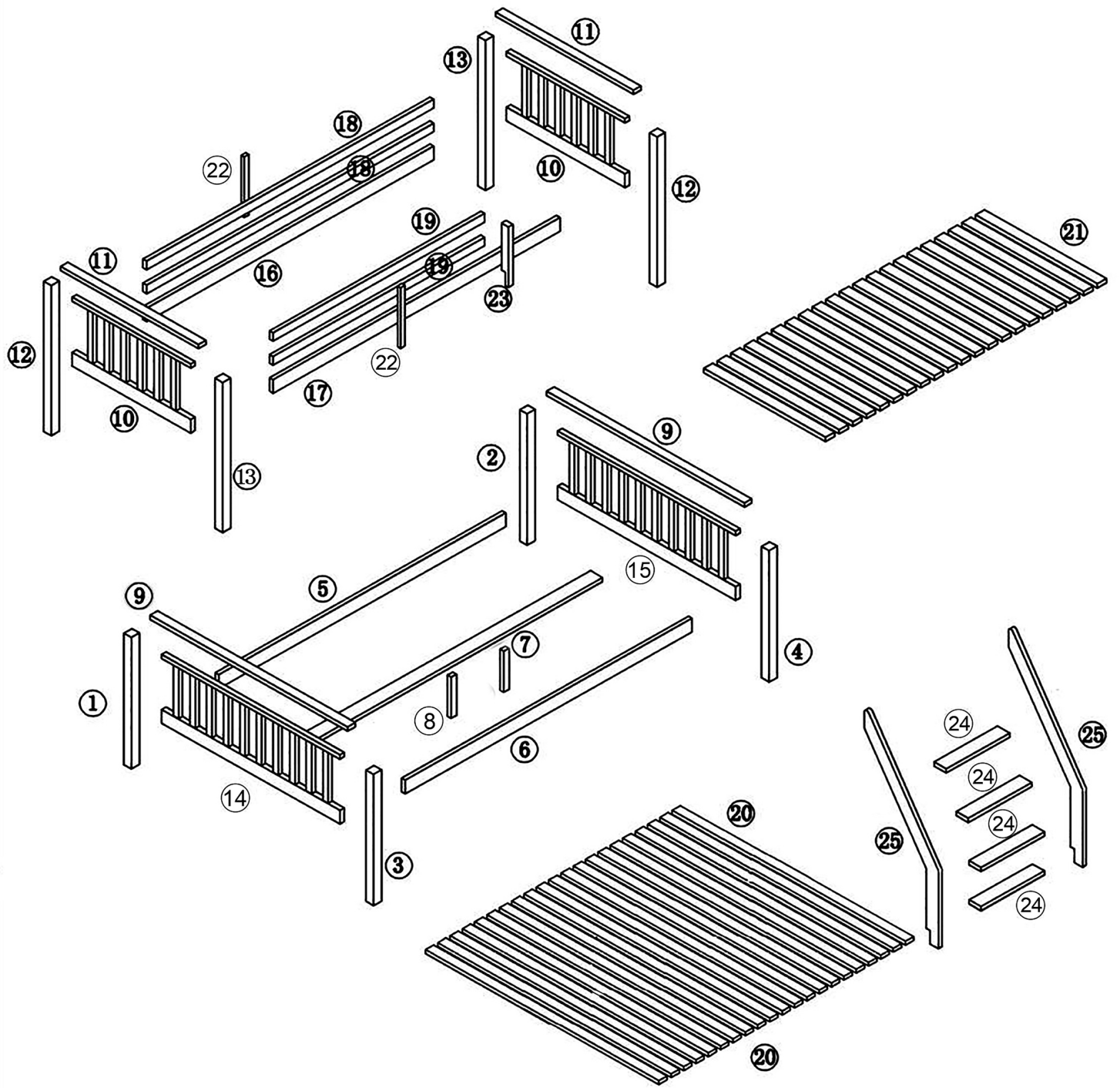
# Assembly Instructions

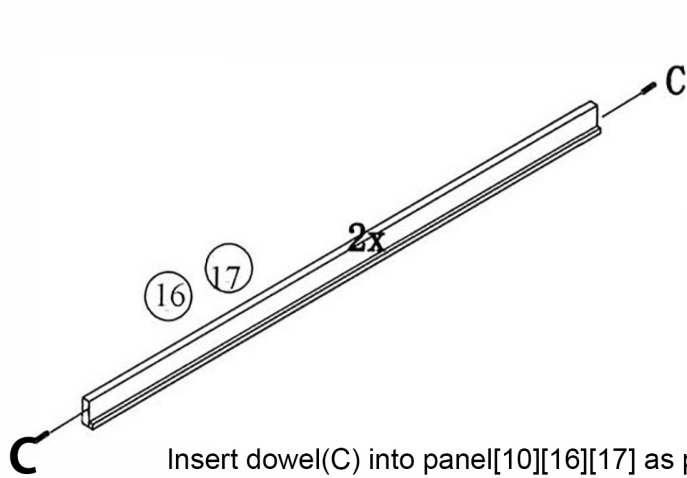
1900\*910mm/1900\*1370mm



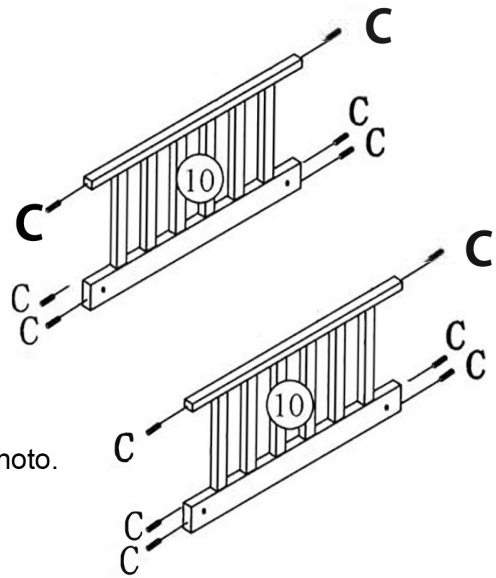
A	  M6x90mm	38
B		40
C	 Ø8x30mm	44
D		2
E	  Ø4x30mm	66
F	  φ6 x50mm	20
G	  M6x70mm	14
H	  Ø4x16mm	8

I	  M6x60mm	4
J	  M6x30mm	6
K	 Ø12x80mm	4
L	  M6x18mm	10
M	  M6x50mm	2
N		2

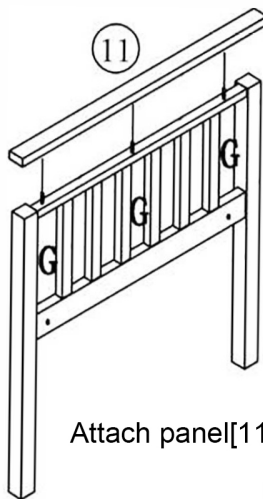
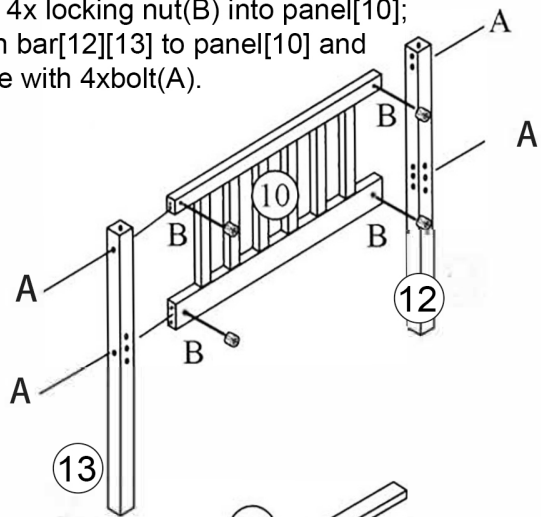
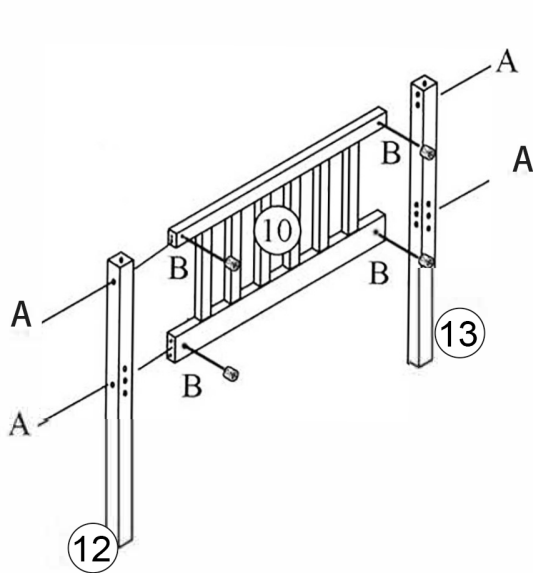




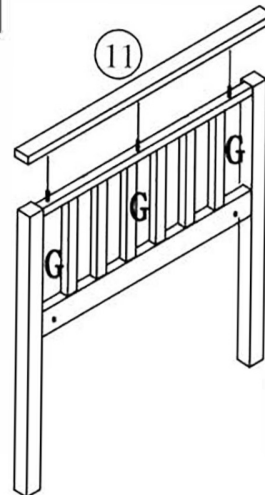
Insert dowel(C) into panel[10][16][17] as photo.




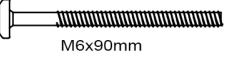




Insert 4x locking nut(B) into panel[10];  
Attach bar[12][13] to panel[10] and  
secure with 4xbolt(A).



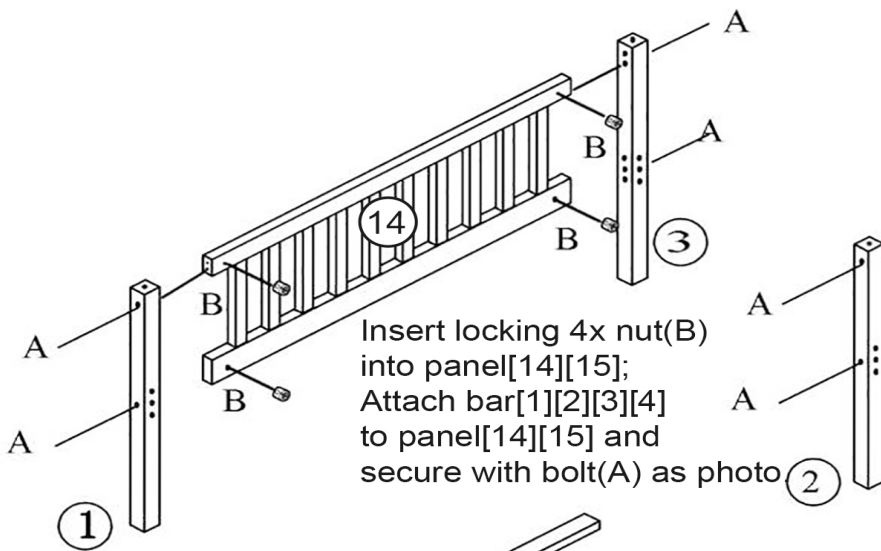
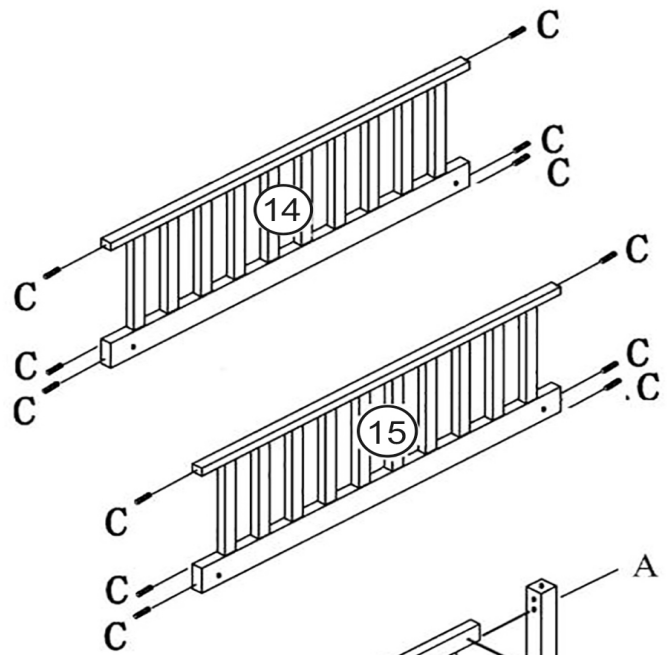
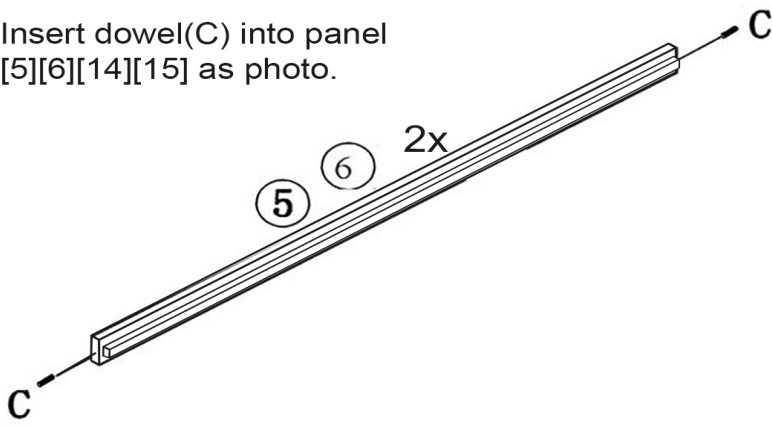
Attach panel[11] to the unit[10] and secure with 3x bolt(G).



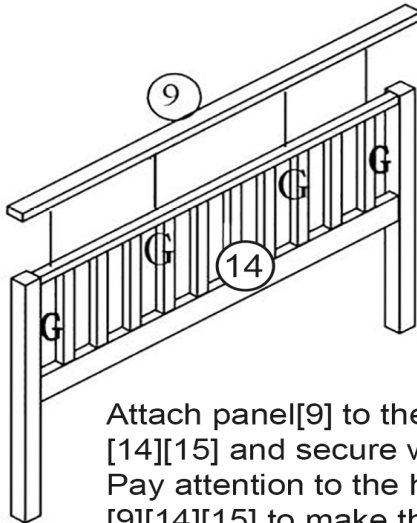
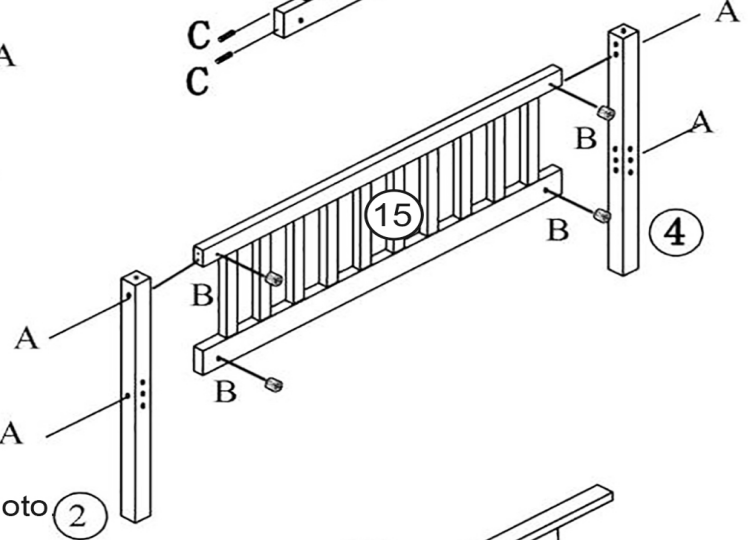
P 3/8

A	  M6x90mm	8
B		8
C		16
G	  M6x70mm	6

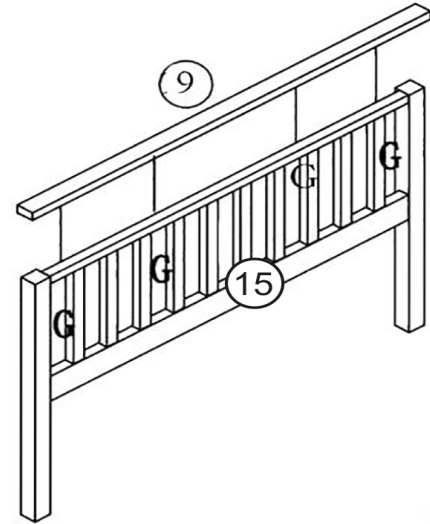
Insert dowel(C) into panel [5][6][14][15] as photo.




Insert locking 4x nut(B) into panel[14][15]; Attach bar[1][2][3][4] to panel[14][15] and secure with bolt(A) as photo


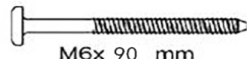





Attach panel[9] to the unit [14][15] and secure with 4x bolt(G). Pay attention to the holes on [9][14][15], to make them in the same position.

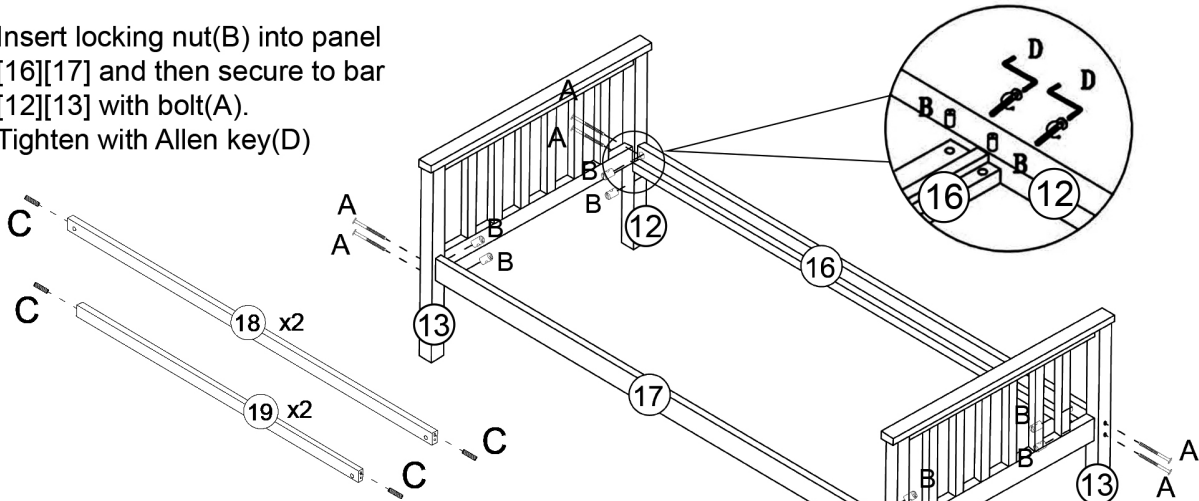


**P 4/8**

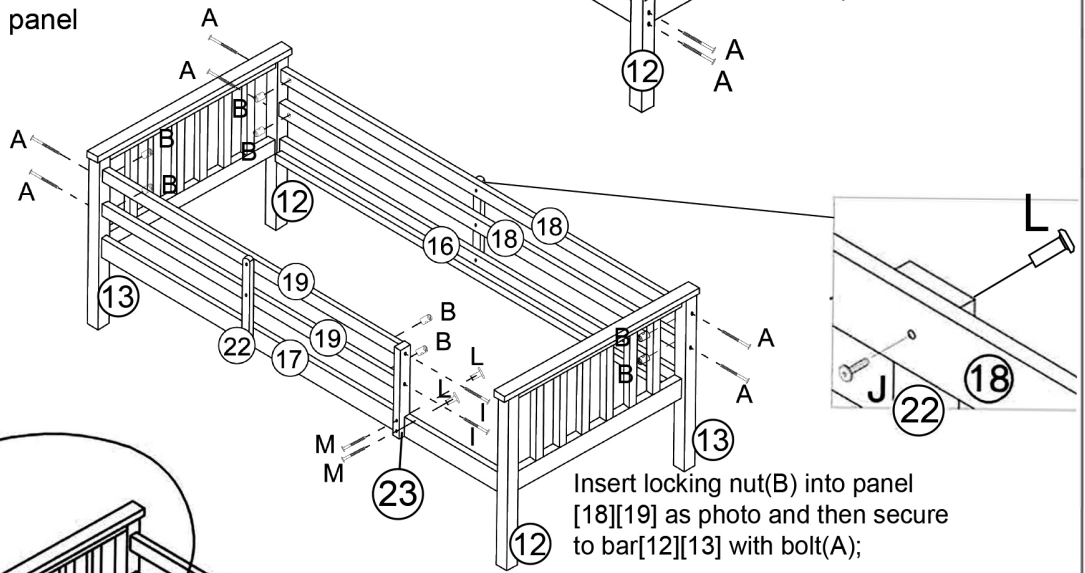
<b>C</b>	 Ø8x30mm	<b>16</b>
----------	--	-----------

<b>A</b>	 13mm	 M6x 90 mm	<b>08</b>
<b>B</b>			<b>08</b>
<b>G</b>	 13mm	 M6x 70mm	<b>08</b>

Insert locking nut(B) into panel [16][17] and then secure to bar [12][13] with bolt(A).  
Tighten with Allen key(D)



Insert dowel(C) into panel [18][19] as photo.



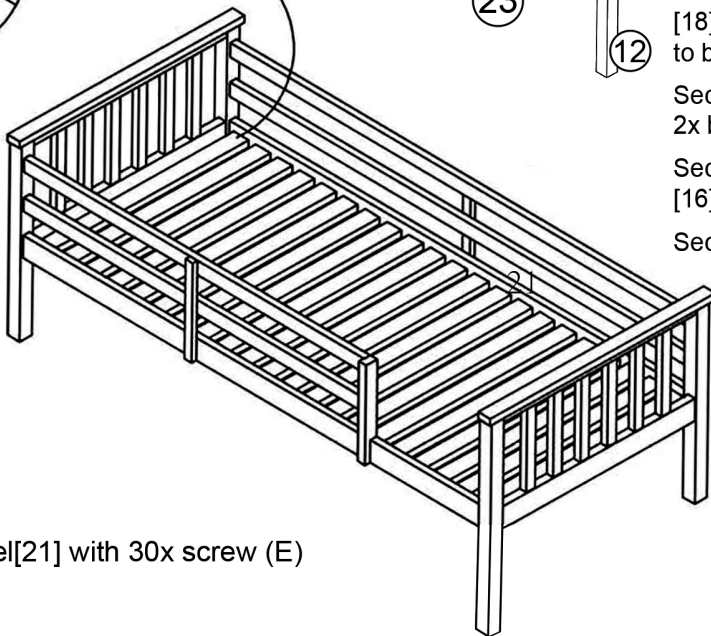
Insert locking nut(B) into panel [18][19] as photo and then secure to bar [12][13] with bolt(A);

Secure bar[23] to panel[17] with 2x bolt (M) and (L);

Secure bar[22] to panel [16][17][18][19] with 3x bolt(L)(J);

Secure bar[23] to panel[19] with 2x bolt(B)(I).

Secure panel[21] with 30x screw (E)



C		8
B		16
M		2
L		8

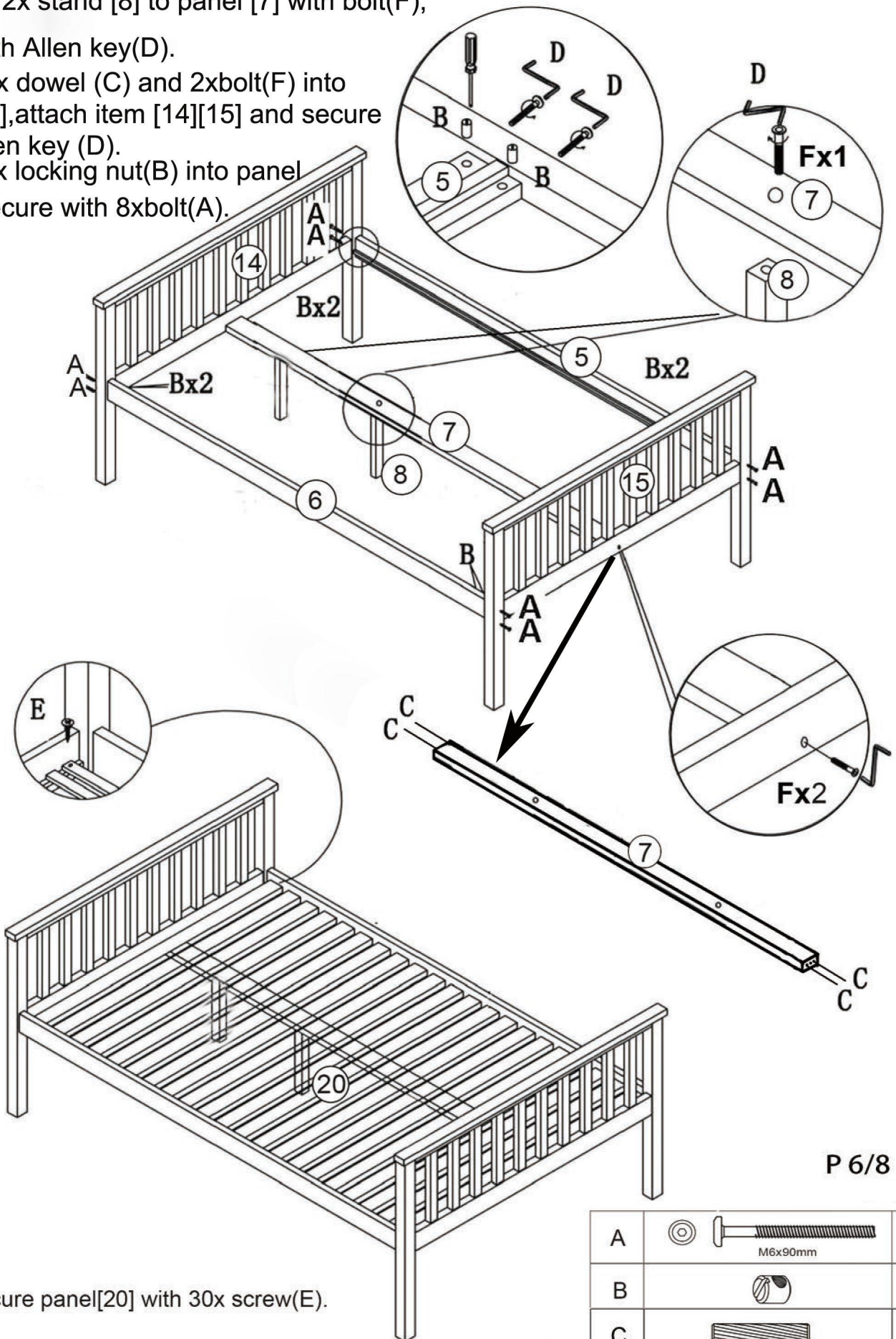
I		2
A		14
E		30
J		6

Secure 2x stand [8] to panel [7] with bolt(F),

tight with Allen key(D).






Insert 4x dowel (C) and 2xbolt(F) into panel [7],attach item [14][15] and secure with Allen key (D).

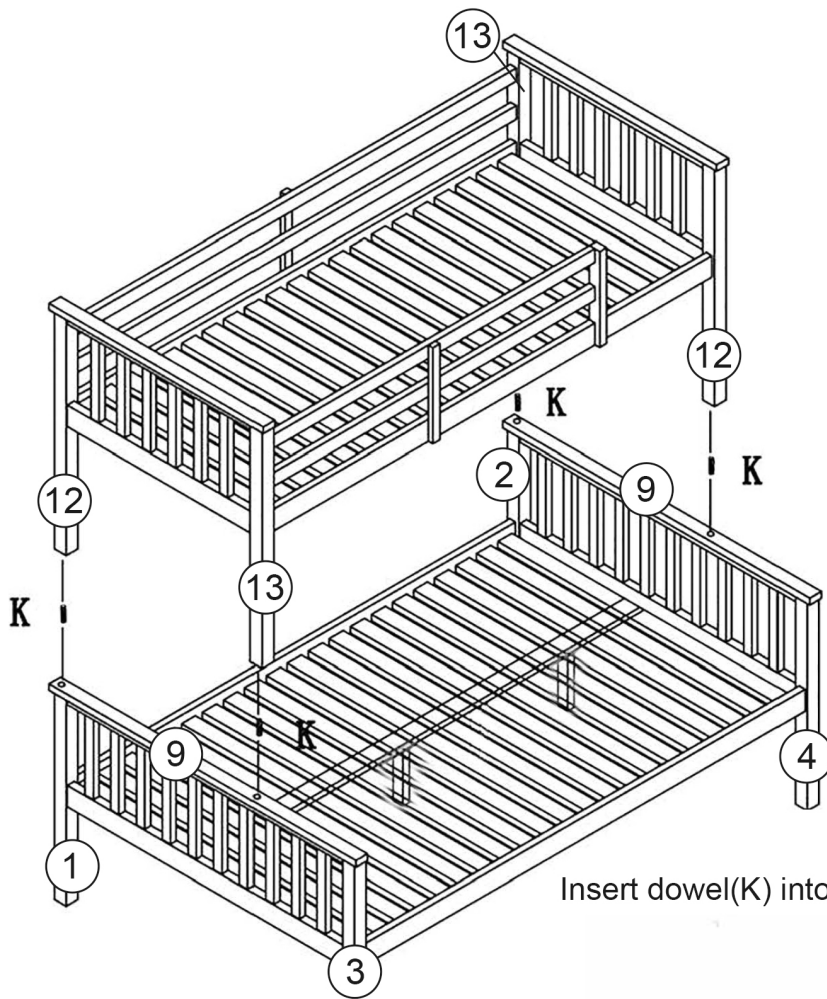
Insert 8x locking nut(B) into panel [5][6],secure with 8xbolt(A).



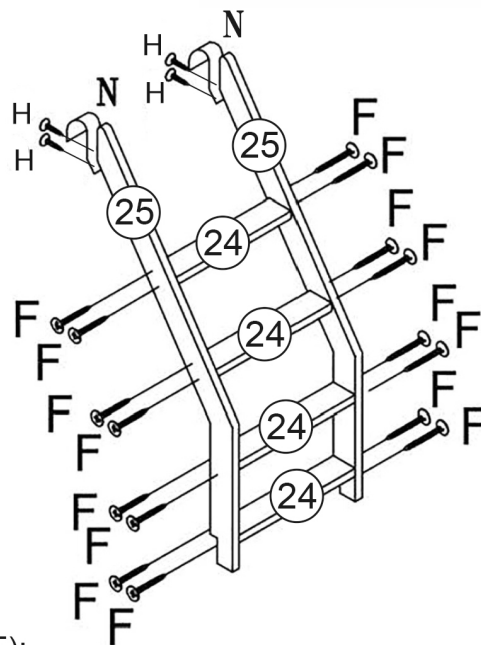
Secure panel[20] with 30x screw(E).

P 6/8

A		M6x90mm	8
B			8
C			4
E		Ø4x30mm	30
F		φ6x50mm	4



Insert dowel(K) into panel [9], connect two beds.

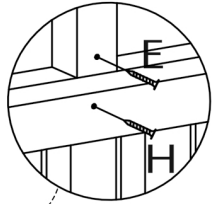
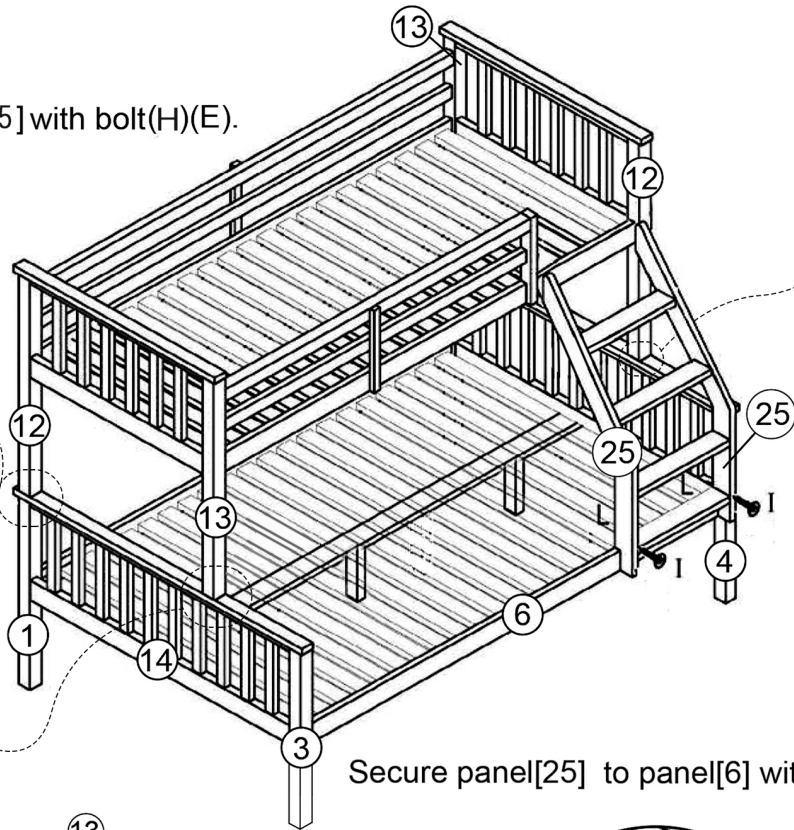
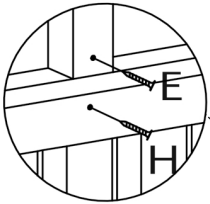
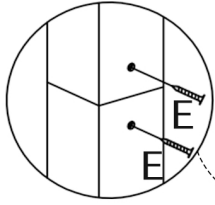


Secure panel [25] to panel [24] with bolt (F);  
Attach hinge (N) to panel [25] and secure with 4x part(H).

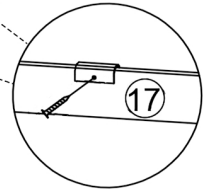
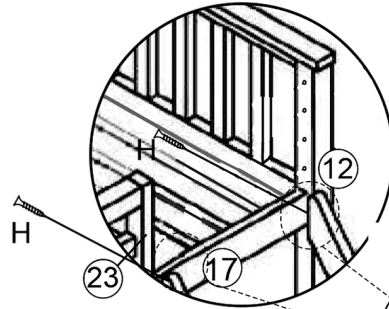
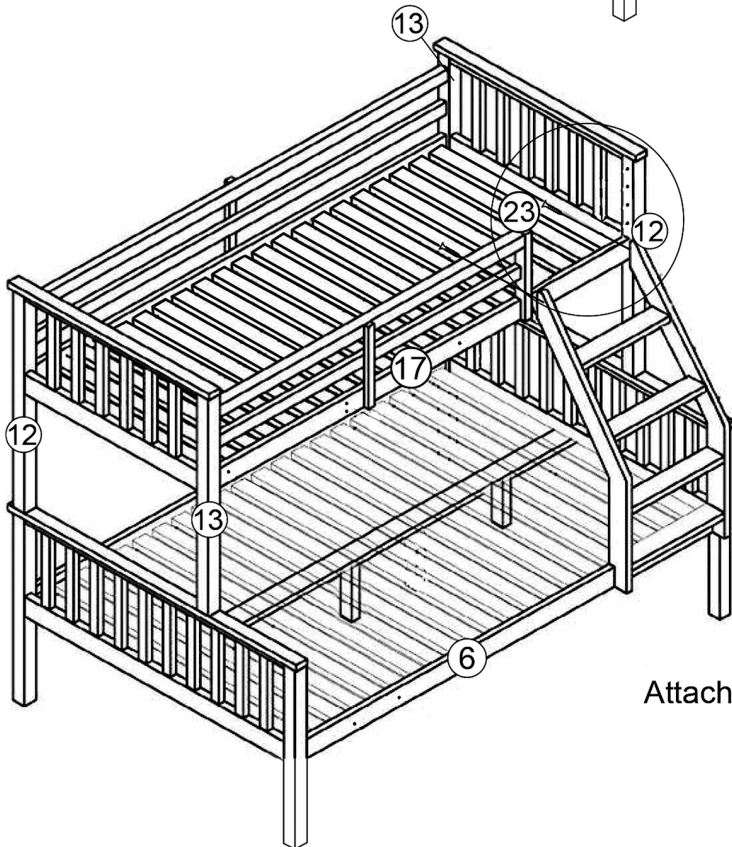
P 7/8

K	$\varnothing 12 \times 80 \text{mm}$	4
N		2
H	$\varnothing 4 \times 16 \text{mm}$	4
F	$\varphi 6 \times 50 \text{MM}$	16

Secure bar [1][2][12][13][14][15] with bolt(H)(E).







Secure panel[25] to panel[6] with bolt (L)(I).



Attach hinge(N) to panel[17] and secure with part(H).

P 8/8

H	 $\varnothing 4 \times 16 \text{mm}$	4
E	 $\varnothing 4 \times 30 \text{mm}$	6
I	 M6x60mm	2
L		2

# **RETURN / DAMAGE CLAIM INSTRUCTIONS**

## 1. **DO NOT** discard of the box / original packaging.

In case a return is required, the item must be returned in original box. Without this your return will not be accepted.

## 2. Take a photo of the box markings.

A photo of the markings (text) on the box is required in case a part is needed for replacement. This helps our staff identify your product number to ensure you receive the correct parts.

## 3. Take a photo / Video of Damage (if applicable).

A photo /Video of the damage is always required to file a claim and get your replacement or refund processed quickly. Please make sure you have the box even if it is damaged.

## 4. Send us an email with the images requested.

Email us directly with the attached images, order number (SOXXXX) and a description of your claim.

Auckland / Waikato / BOP Branch: [sales@tsbliving.co.nz](mailto:sales@tsbliving.co.nz)  
Christchurch Branch: [customersupport@tsbliving.co.nz](mailto:customersupport@tsbliving.co.nz)  
Wellington Branch: [wellington@tsbliving.co.nz](mailto:wellington@tsbliving.co.nz)