

RETURN / DAMAGE CLAIM INSTRUCTIONS

1. **DO NOT** discard of the box / original packaging.

In case a return is required, the item must be returned in original box. Without this your return will not be accepted.

2. Take a photo of the box markings.

A photo of the markings (text) on the box is required in case a part is needed for replacement. This helps our staff identify your product number to ensure you receive the correct parts.

3. Take a photo / Video of Damage (if applicable).

A photo /Video of the damage is always required to file a claim and get your replacement or refund processed quickly. Please make sure you have the box even if it is damaged.

4. Send us an email with the images requested.

Email us directly with the attached images, order number (SOXXXX) and a description of your claim.






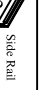




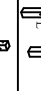

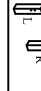








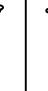


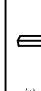
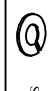






Auckland / Waikato / BOP Branch: sales@tsbliving.co.nz

Christchurch Branch: customersupport@tsbliving.co.nz

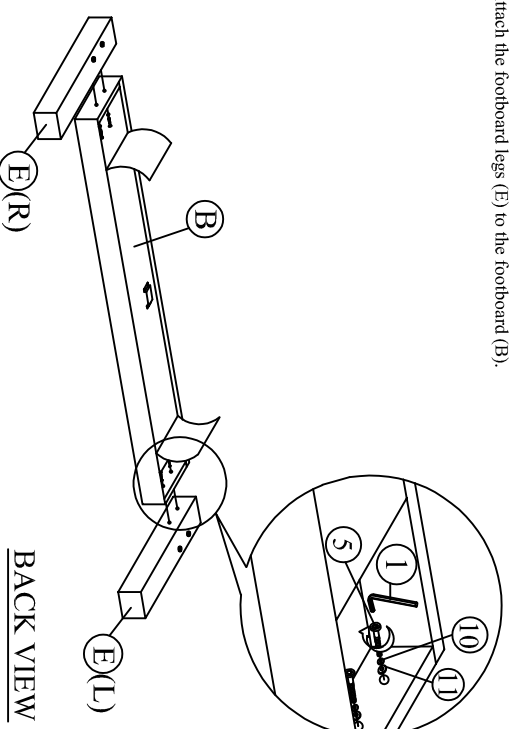
Wellington Branch: wellington@tsbliving.co.nz

Model : CF 9441-D (4'6")

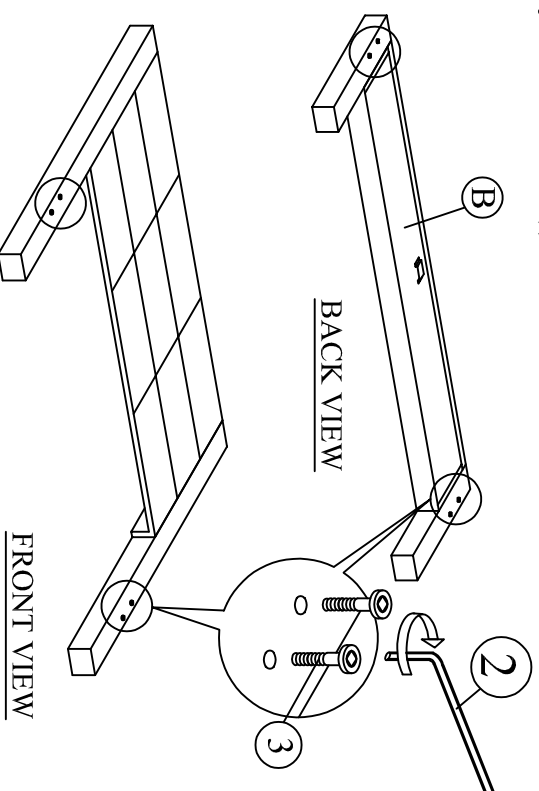
Assembly Instruction

PART LIST		HARDWARE		
A	 Headboard	1	 Allen Key 65mm	1pc
B	 Footboard	2	 Allen Key 70mm	1pc
C	 Side Rail C1  Side Rail C2	4pcs	 JCBB M8 x 20	8pcs
D	 Headboard Legs  Footboard Legs	2pcs	 JCRC M6 x 30	8pcs
E	 Footboard Legs	2pcs	 JCBC M6 x 50	8pcs
F	 Side Rail Legs 285 x 80 x 30mm	2pcs	 JCBC M6 x 60	3pcs
G	 Center Rail 87mm	1pc	 CSK Screw 16mm	16pcs
H	 Center Rail 960mm	1pc	 CSK Screw 32mm	36pcs
I	 12 Slot 1477mm	2pcs	 CSK Screw 30mm	8pcs
J	 Support Legs 30 x 30 x 305mm	3pcs	 Spring Washers	8pcs
K	 Footboard Front Panel	1pc	 Flat Washers	16pcs
L	 Footboard Back Panel	1pc	 CSK Screw 25mm	1pc
M	 Footboard Bottom Panel	1pc	 Roller	4pcs
N	 Drawer Side Panel (8)	2pcs	 Power Nail 68	24pcs
O	 Bottom Panel Big Support Wood	2pcs		
P	 Bottom Panel Small Support Wood	2pcs		

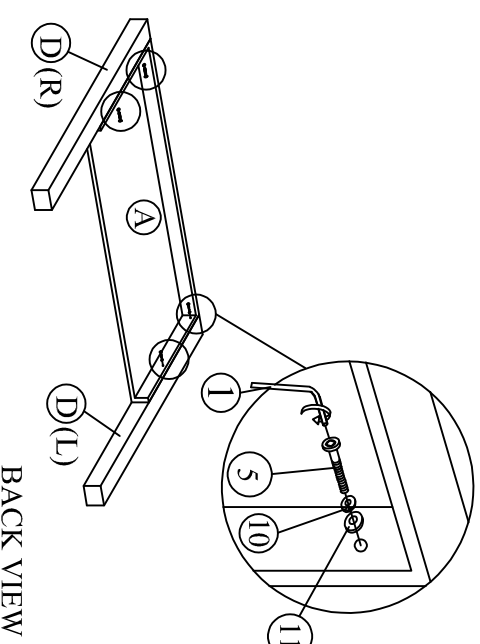
Step 1 : Attach the footboard legs (E) to the footboard (B).



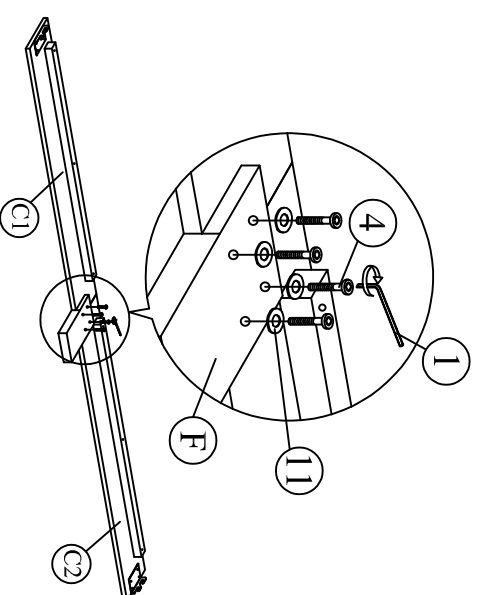
Step 3 : Attach the JCBB Bolt (3) to the headboard bracket and footboard bracket.



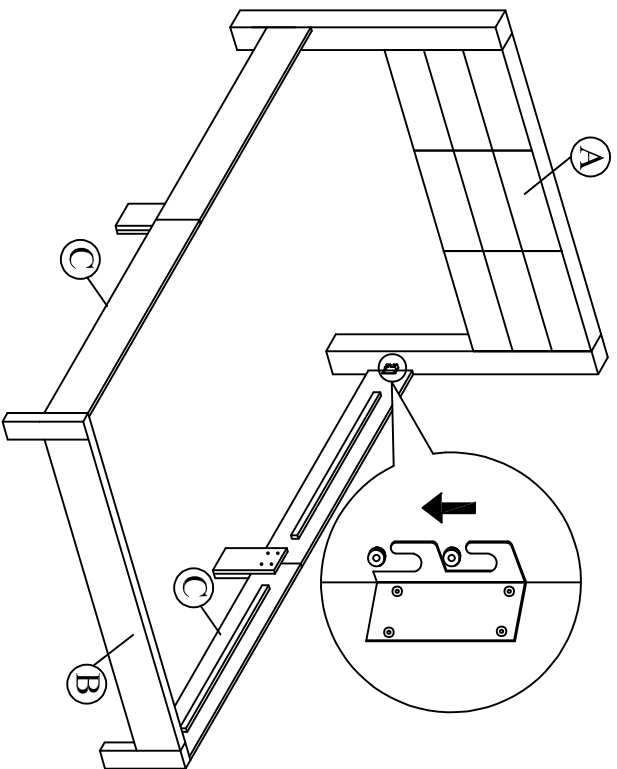
Step 2 : Attach the headboard legs (D) to the headboard (A).



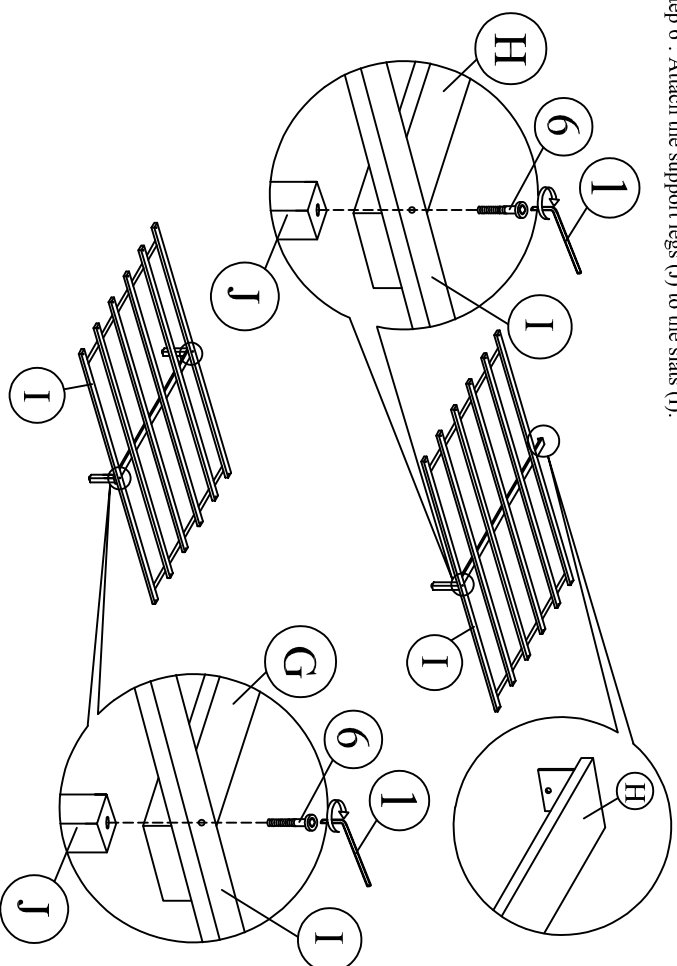
Step 4 : Attach the side rail leg (F) to the side rail (C).



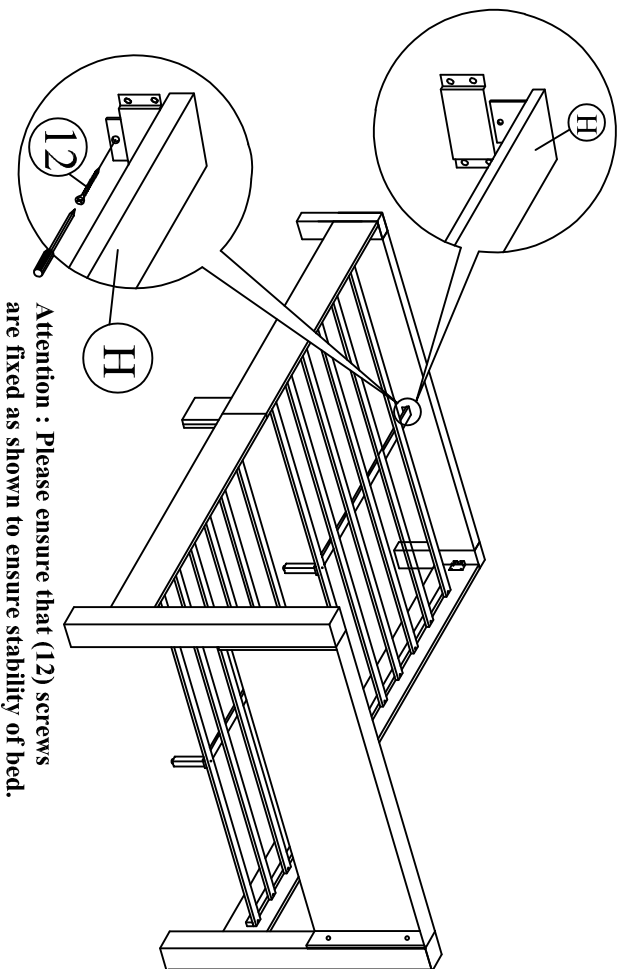
Step 5 : Attach side rail (C) to headboard (A) and footboard (B) by pushing the bracket down to fit it.



Step 6 : Attach the support legs (J) to the slats (I).

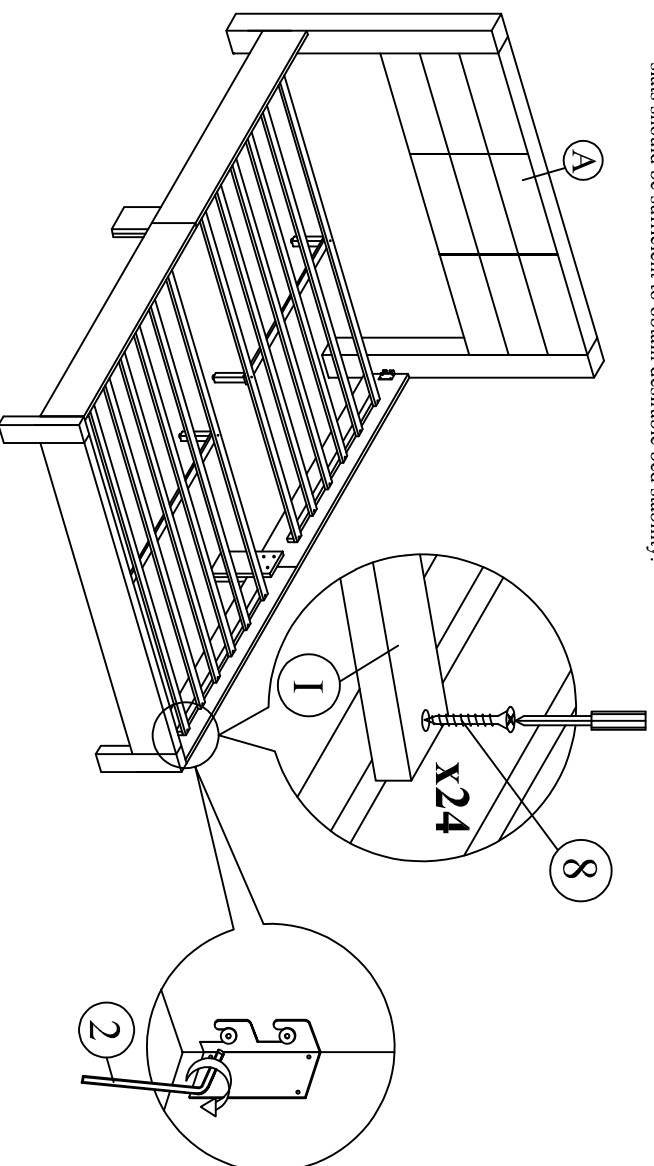


Step 7 : Slide the center rail (H) to the footboard (B). Tighten screws (12) using screw driver (not included) to the footboard (B).

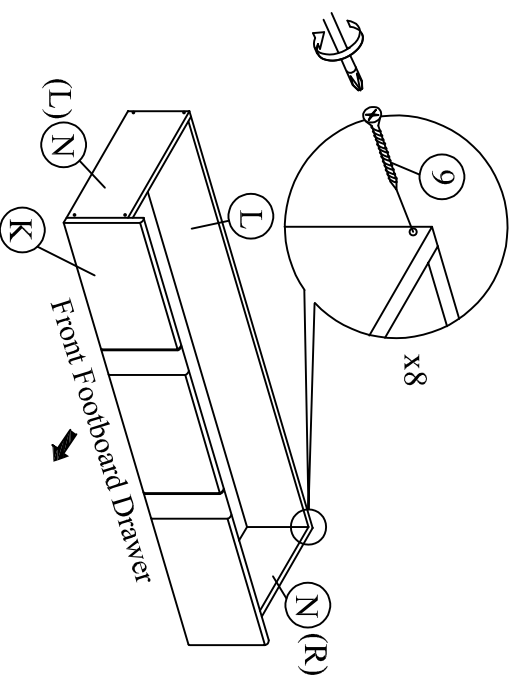


Attention : Please ensure that (12) screws are fixed as shown to ensure stability of bed.

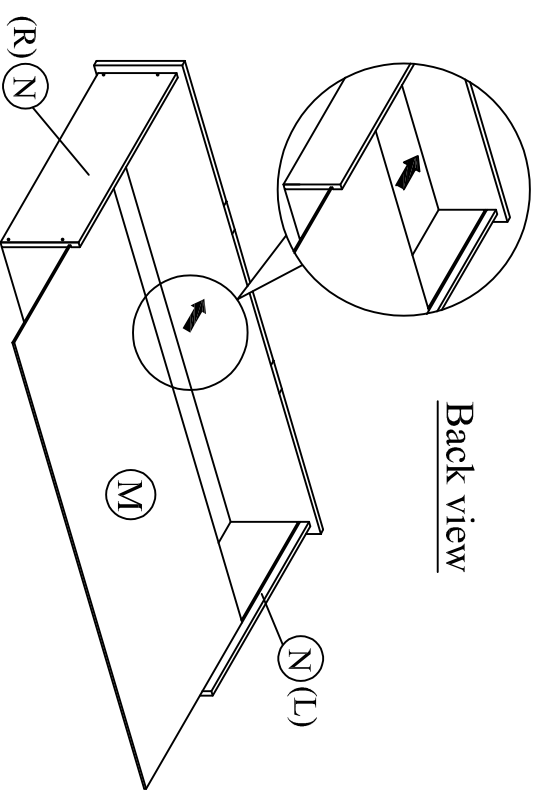
Step 8 : Tighten the 4 Corner with Allen Key (2). Install the bed slats to side rail. Tighten the slats with CSK screw. The distance of the slats should be sufficient to obtain desirable bed stability.



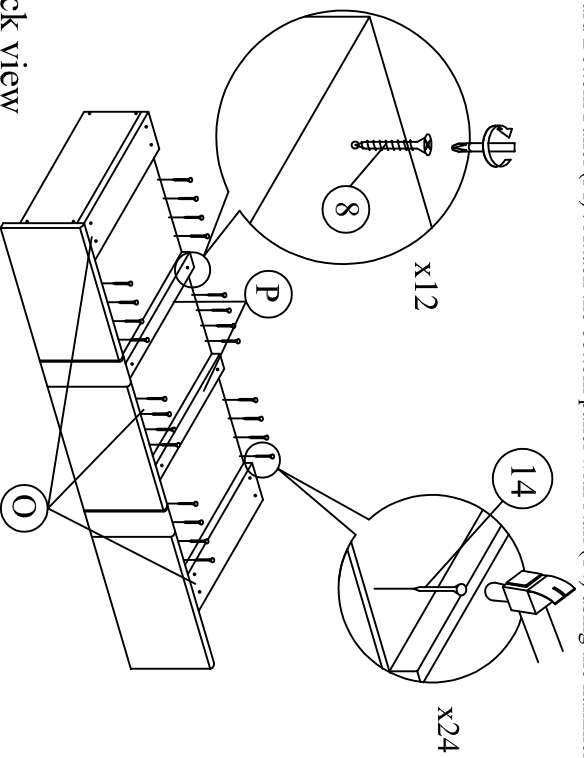
Step 9 : Attach the Drawer Side Panel (N) to the Front Footboard Panel (K) and Back Footboard Panel (L).



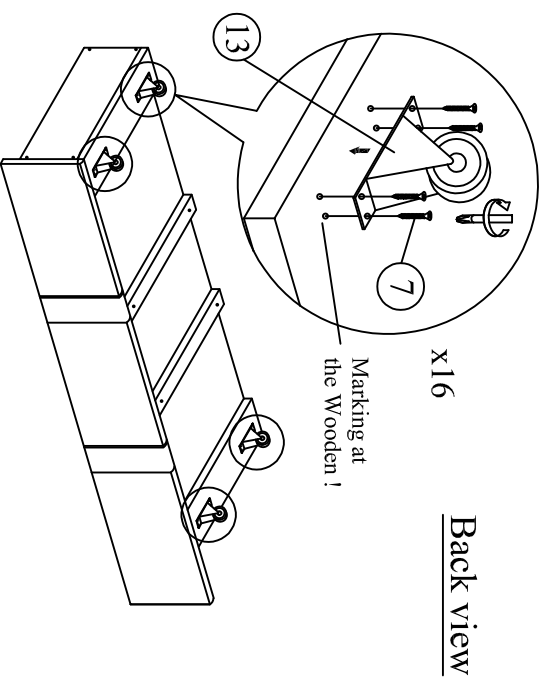
Step 10 : Attach the Footboard Bottom Panel (M) to the Drawer Side Panel (N).



Step 11 : Attach the Bottom Panel Big Support Wood (O) and Bottom Panel Small Support Wood (P) to the Footboard Bottom Panel (M). Attach the bottom panel with Nail (14) using the hammer (not included).



Step 12 : Attach the Roller (13) to the Bottom Panel Big Support Wood (O).



Back view

Back view

Back view

Step 13 : Attach Drawer to Footboard (B).

