

ASSEMBLY INSTRUCTIONS

PART LIST

[H1] M6*16mm



x 8

[H2] M6*25mm



x 20

[H3] M6*35mm



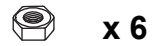
x 6

[H4] M6 *18



x 36

[H5] M6 Hex Nuts



x 6

[H6]



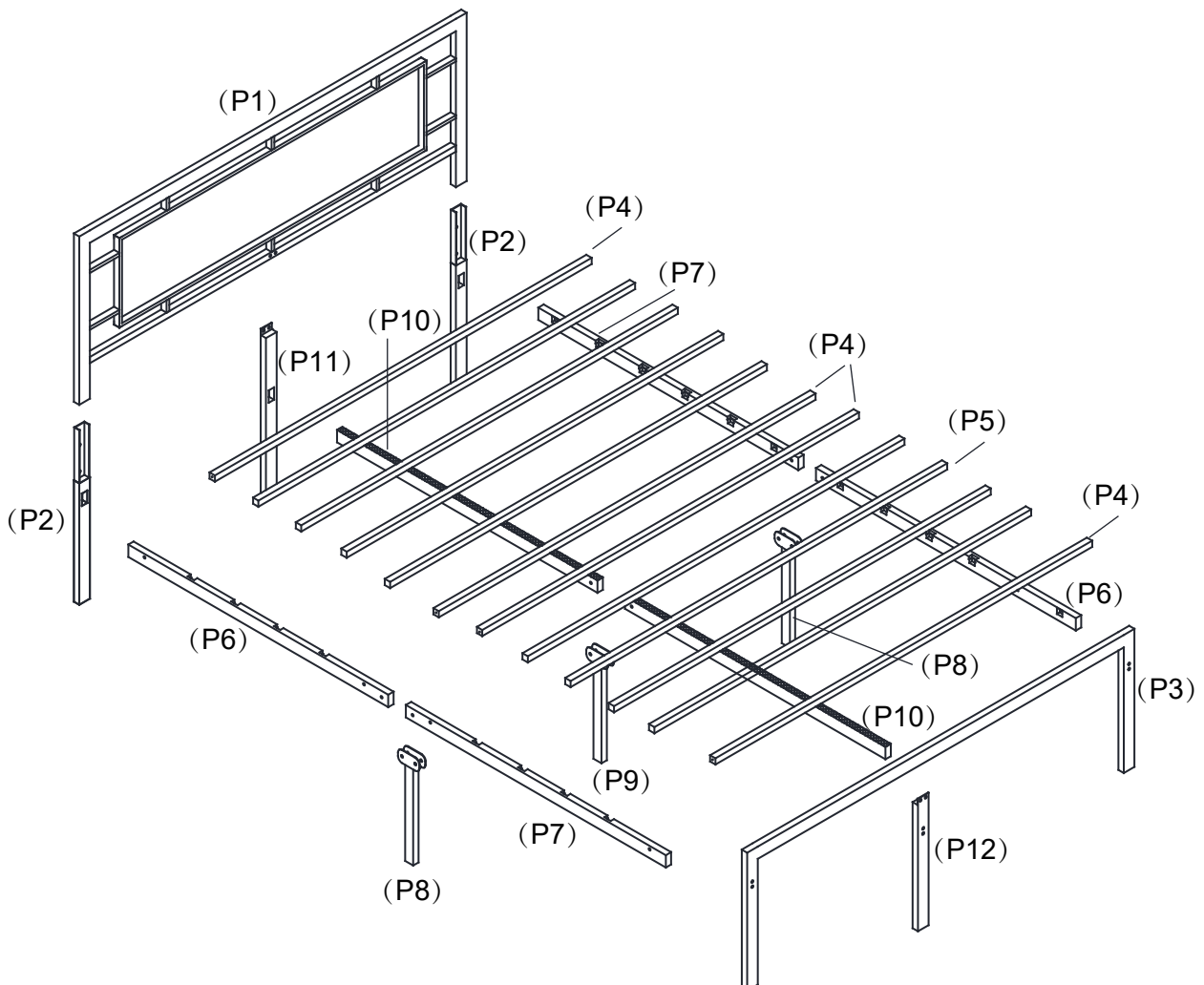
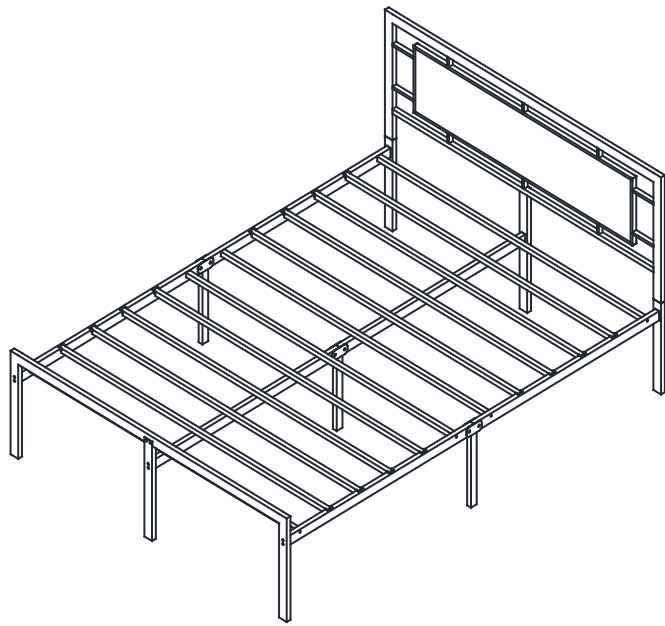
x 1

[H7]

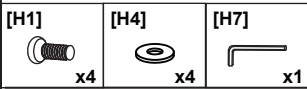
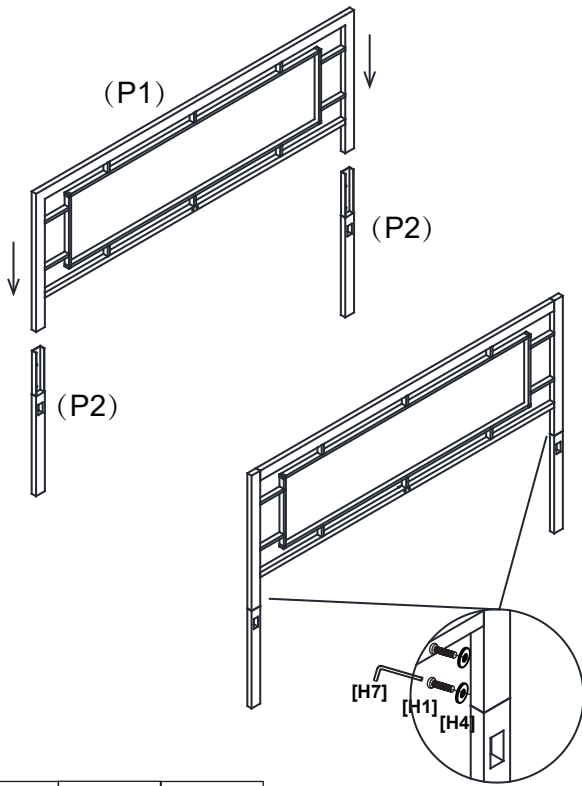


x 1

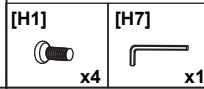
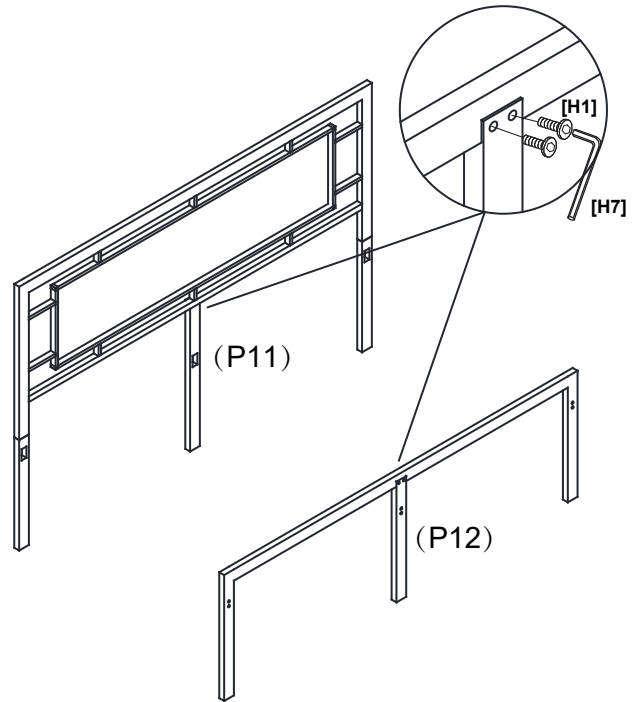
[H8]  x 16



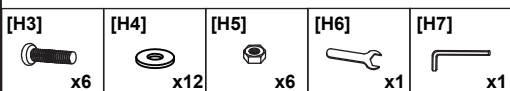
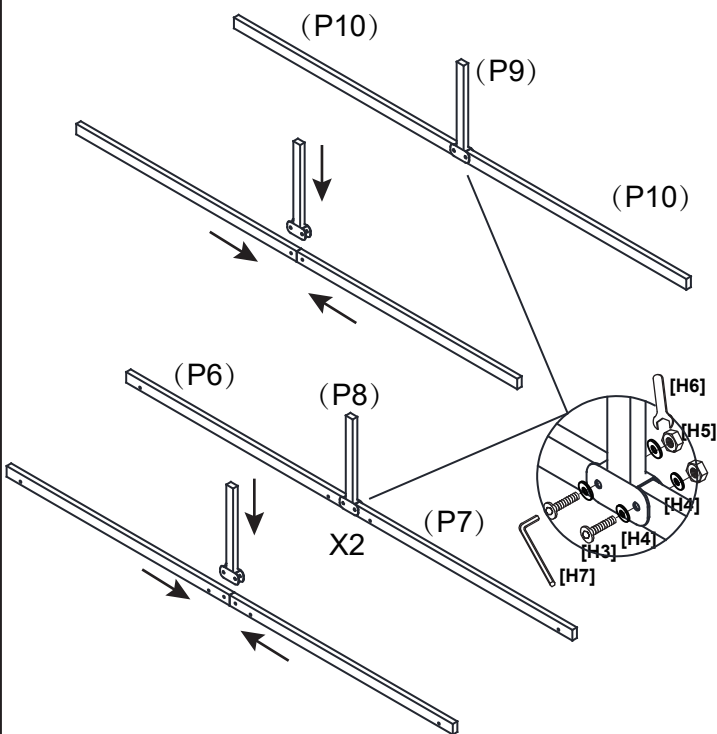
STEP 1



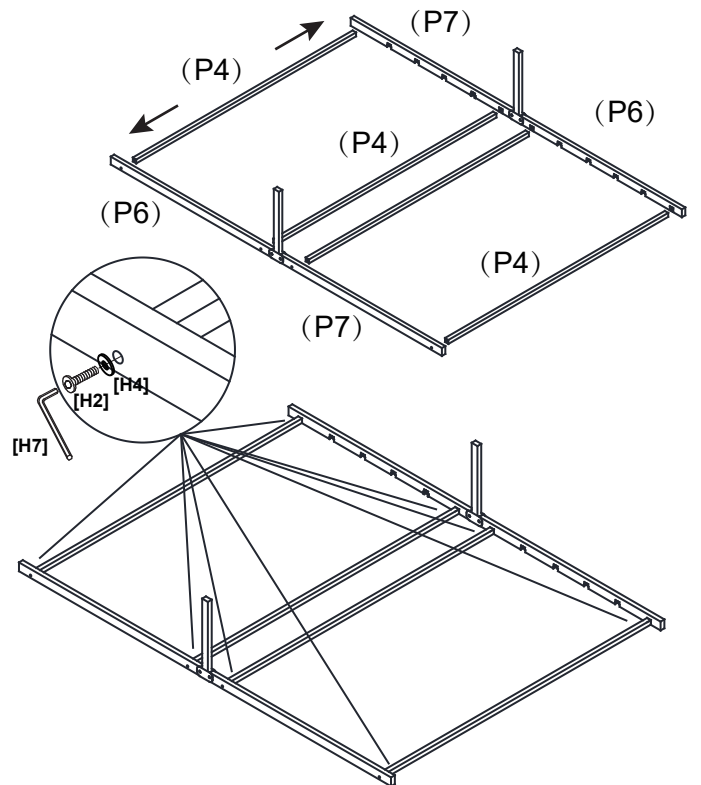
STEP 2



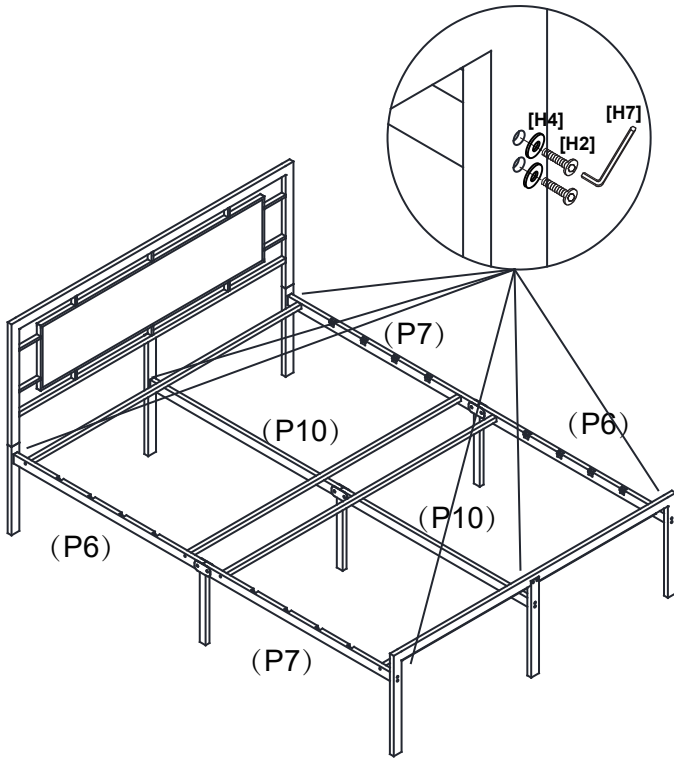
STEP 3



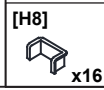
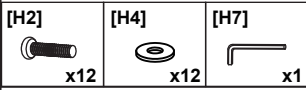
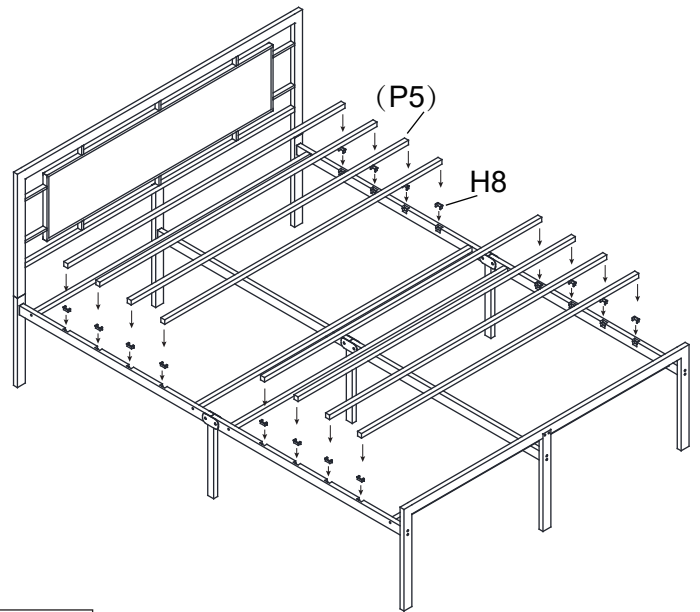
STEP 4



STEP 5



STEP 6



STEP 7

