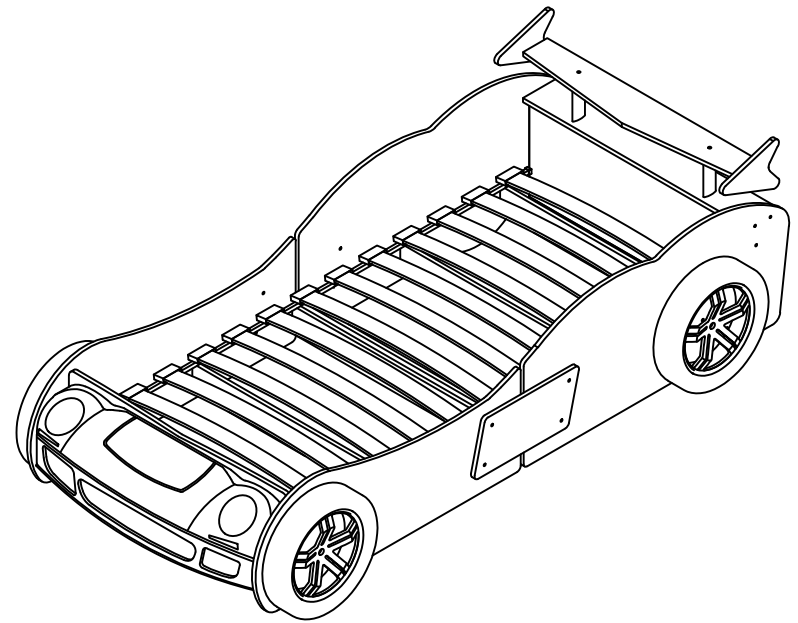
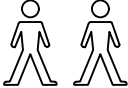
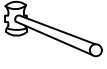
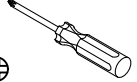
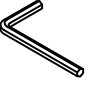


MODEL : B171W-2



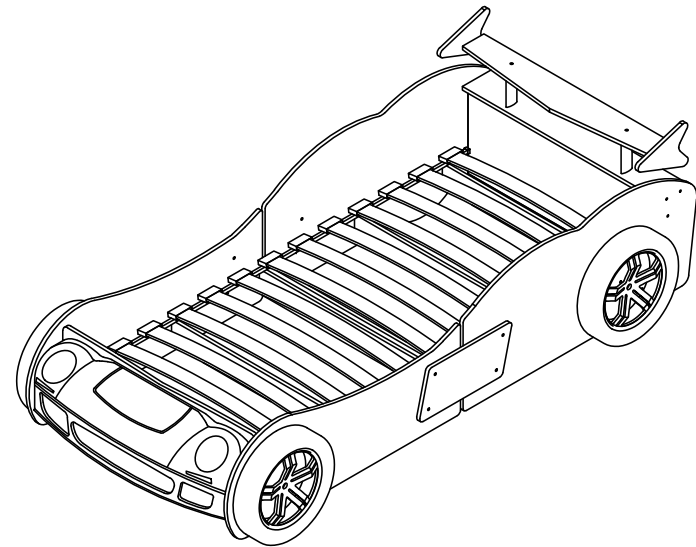
ASSEMBLE DIFFICULTY				
1 2 ③ 4 5				

- User Age: 72 Months Or Above.
- Standard Of Paint: EN1725:1998
EN1022:2005
EN71-1:2014
EN71-3:2013+A1:2014

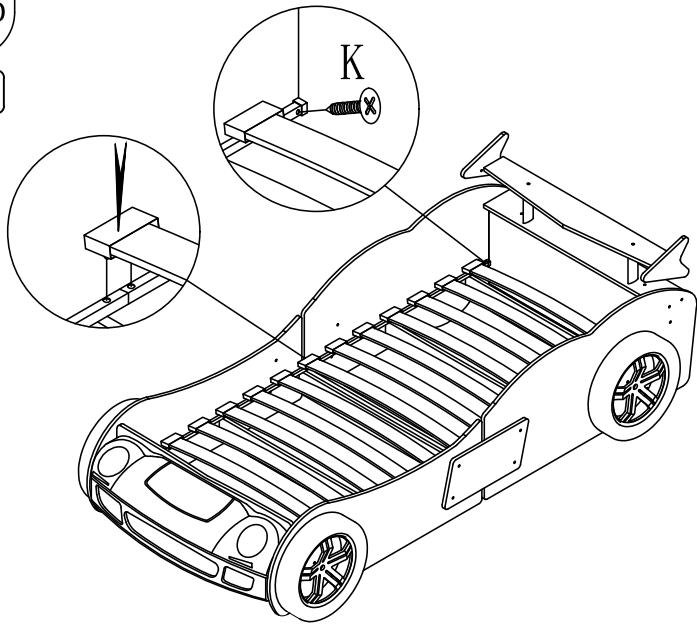
IMPORTANT, RETAIN FOR FUTURE REFERENCE: READ CAREFULLY

- Information regarding maintenance
Use dry, clean & soft cloth rub on the surface regularly; must not use any wet cloth, hardware or any hard material (such as keys, knife, sand-paper) rub on the surface. Keep away from water and any chemical substances.
- Conditions for use of the product domestic
- Installation only to be carried out by a competent person
- Article consists swallowable small parts, children ≤ 3 years should not be without parental guidance (surveillance or monitoring)
- Screw lock must be inserted before joining
- For the safety reason all of the hardware must be screwed tidely.
- This Product must be assembled by adult
- To avoid surface damage, tight all serew must not use over 5Nm power.

19



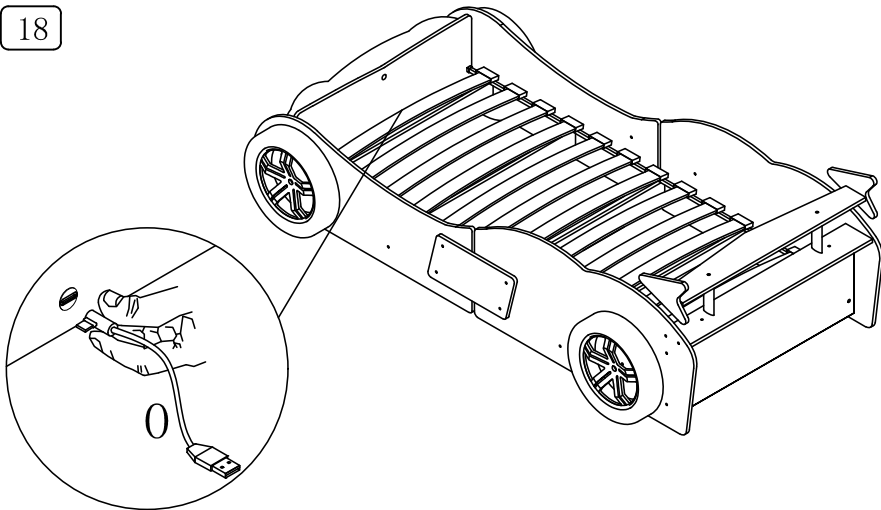
17



K

4#*30
QTY:8

18

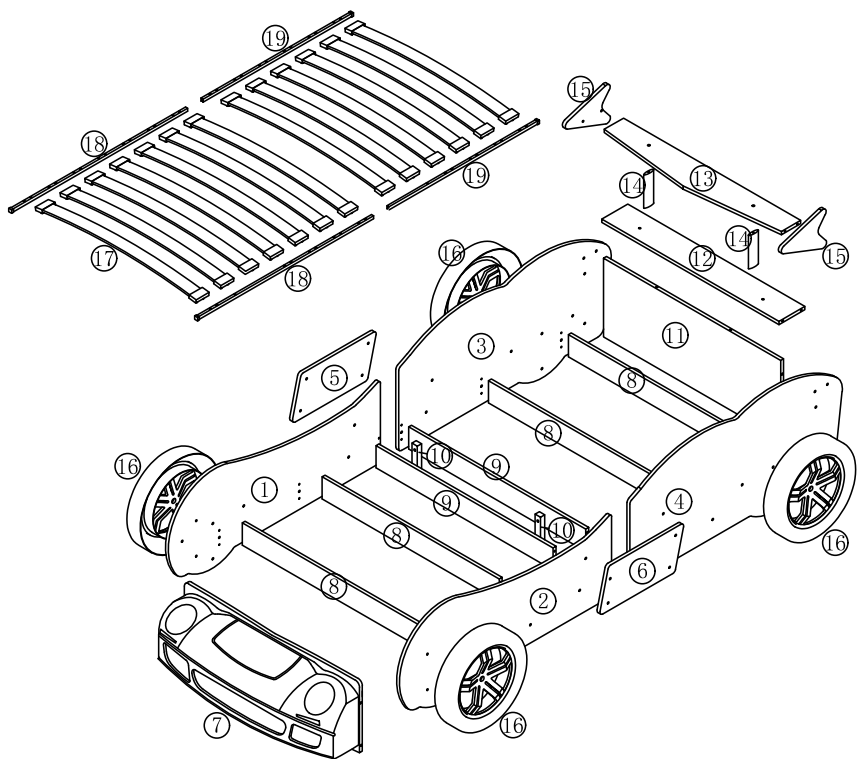


O

QTY:1

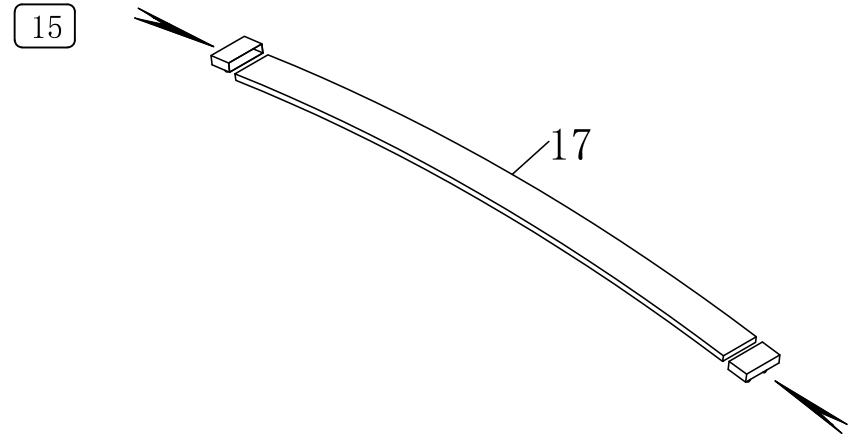
DESCRIPTION OF COMPONENT

ITEM NO	WORK PIECE DESCRIPTION	MEASUREMENT	QTY	COLOUR	SHAPE	PACK IN BOX
(1)	FRONT SIDE BOARD(L)	1102*439*15	1	WHITE		1/3
(2)	FRONT SIDE BOARD(R)	1102*439*15	1	WHITE		1/3
(3)	FRONT SIDE BOARD(L)	1102*550*15	1	WHITE		1/3
(4)	REAR SIDE BOARD(R)	1066*550*15	1	WHITE		1/3
(5)	CONNECTION PLATE(L)	435*200*15	1	WHITE		1/3
(6)	CONNECTION PLATE(R)	435*200*15	1	WHITE		1/3
(7)	FRONT PANEL (ITEM 12-14 INCLUDED IN THIS PART)	920*300*15	1	WHITE		2/3
(8)	BEAM	920*100*15	4	WHITE		1/3
(9)	MIDDLE HORIZONTAL PLATE	920*100*15	2	WHITE		1/3
(10)	ARTICLE RIBS	168*25*20	2	WHITE		1/3
(11)	BACK PANEL	920*354*15	1	WHITE		1/3
(12)	REAR UPPER MIDDLE FILTER	920*135*15	1	WHITE		2/2
(13)	REAR LOWER MIDDLE FILTER	920*135*15	1	BLACK		1/3
(14)	CONNECTED IRON	150*50*20	2	BLACK		3/3
(15)	REAR UPPER SIDE BOARD	272*162*15	2	BLACK		1/3
(16)	TYRE (ITEM 16-17 INCLUDED IN THIS PART)	380*380*62	4	BLACK		3/3
(17)	PLYWOOD SLAT	915*62*9	13	WHITE		2/3
(18)	U SHAPED IRON-1	950*15*15	2	SILVER		1/3
(19)	U SHAPED IRON-2	950*15*15	2	SILVER		1/3
(20)	HARDWARE	216*114*57	1	BROWN		3/3



A	B	C	D	E	F	G
M6*50 QTY:30	QTY:30	M6*55 QTY:4	d6*30 QTY:24	M6*30 QTY:8	QTY:8	M6*70 QTY:4

H	I	J	K	L	M	N	O
QTY:4	QTY:8	M6*40 QTY:4	4#*30 QTY:8	QTY:4	QTY:26	QTY:4	QTY:1



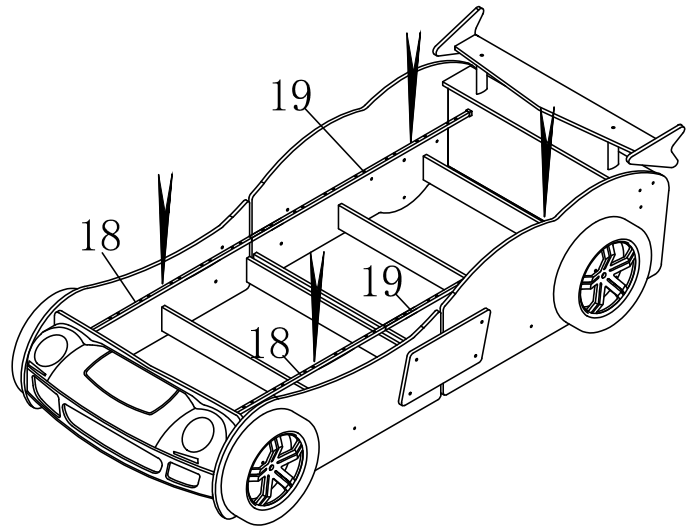
13X

M

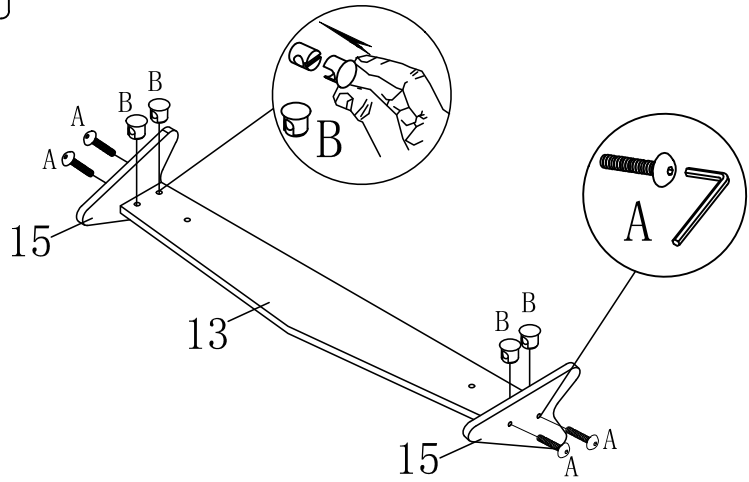



QTY:26

16



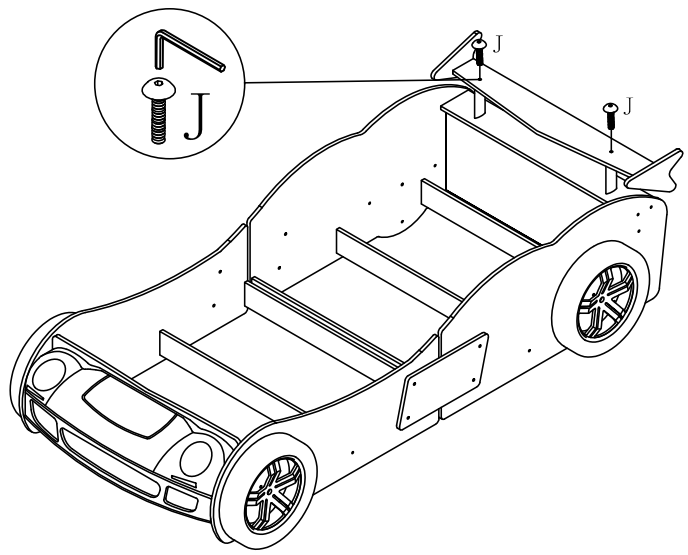
13




A  M6*50
QTY: 4

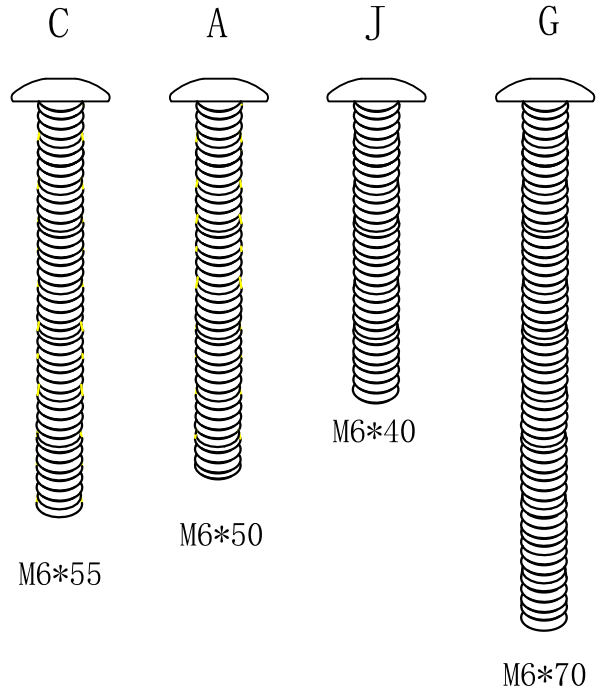
B   QTY: 4

14

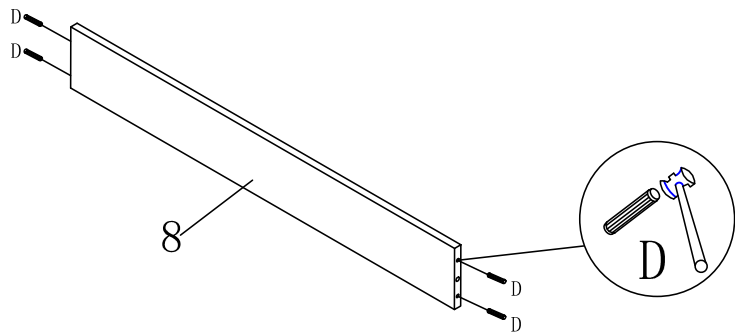


J  M6*40
QTY: 2

SCALE 1:1



1

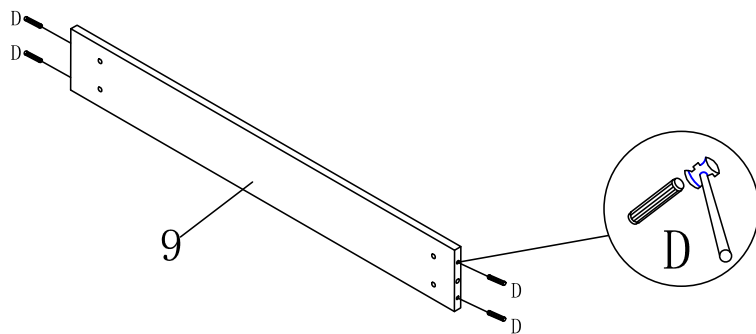


4X

D

d6*30
QTY:16

2

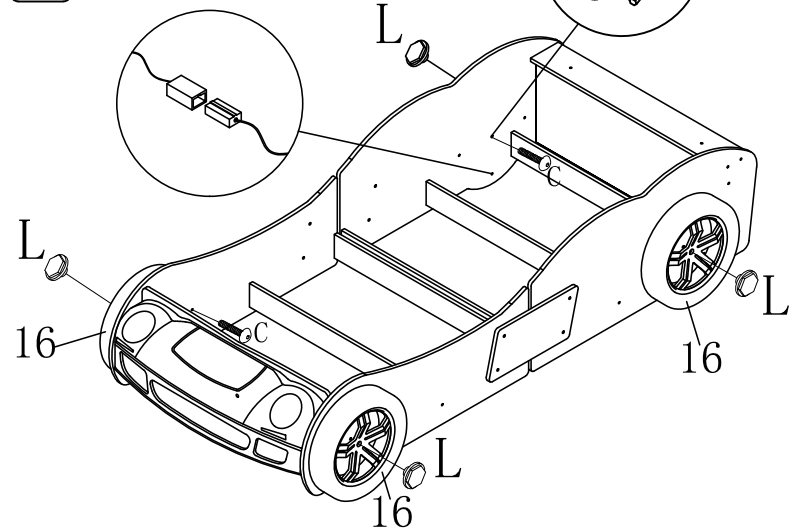


2X

D

d6*30
QTY:8

11



C

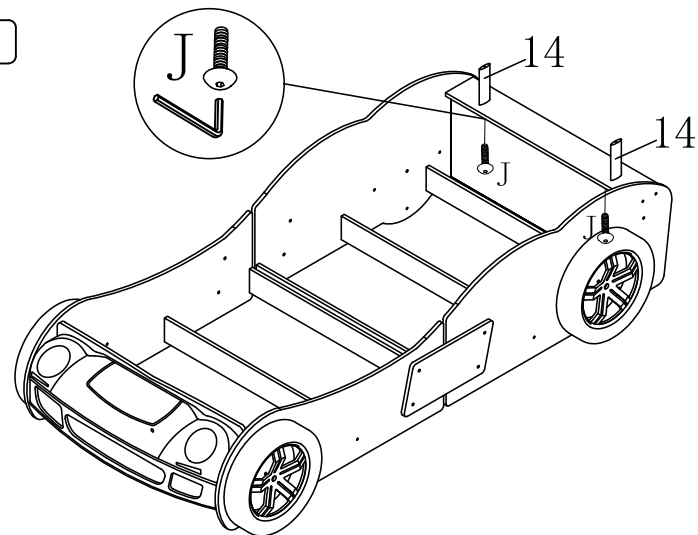
M6*55
QTY:2

L



QTY:2

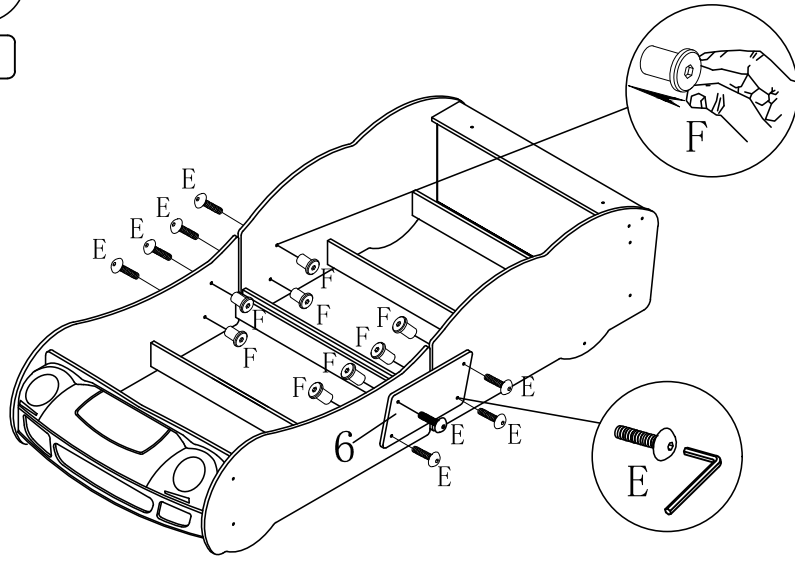
12




J

M6*40
QTY:2

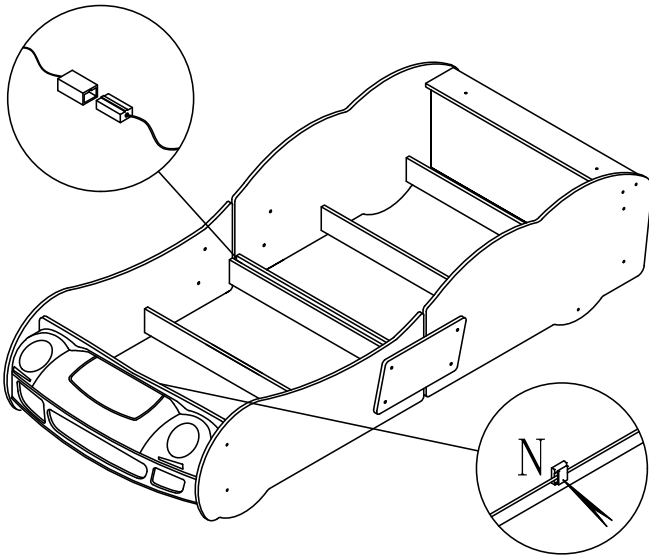
9



E  M6*30
QTY:8

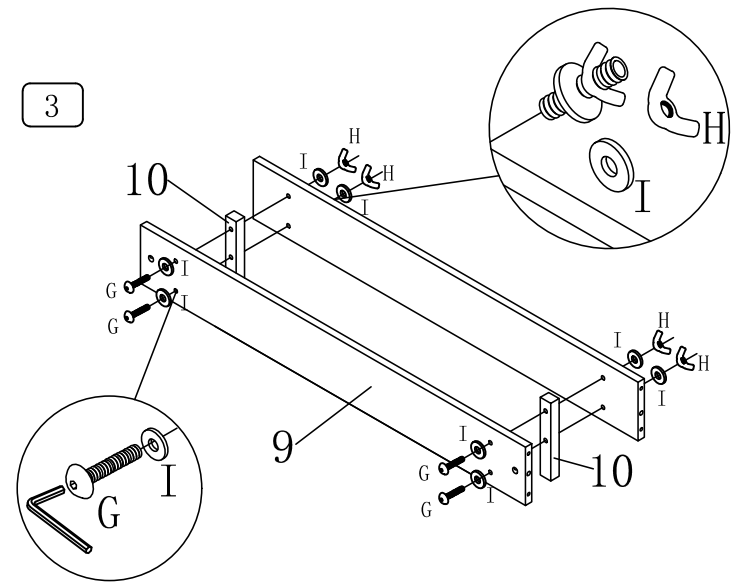
F  QTY:8


10



N  QTY:4

3

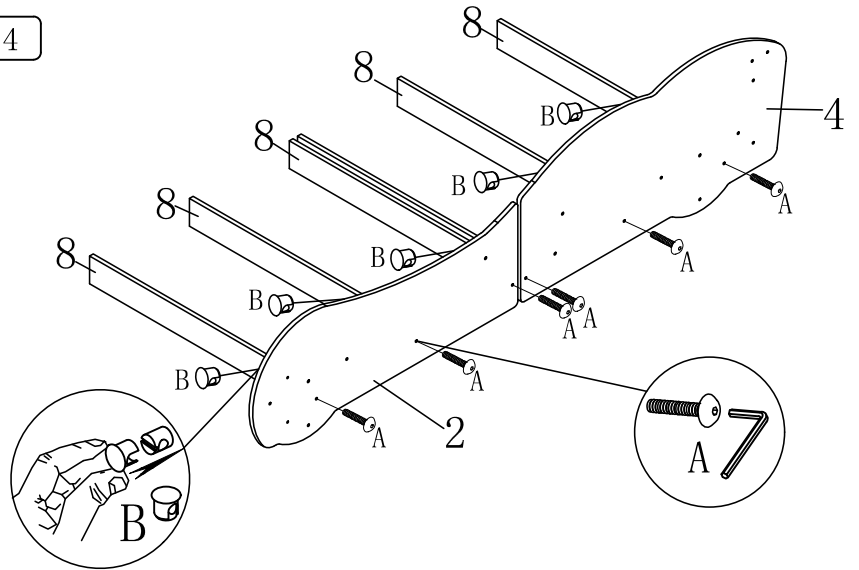



G  M6*70
QTY:4

H  QTY:4

I  QTY:4

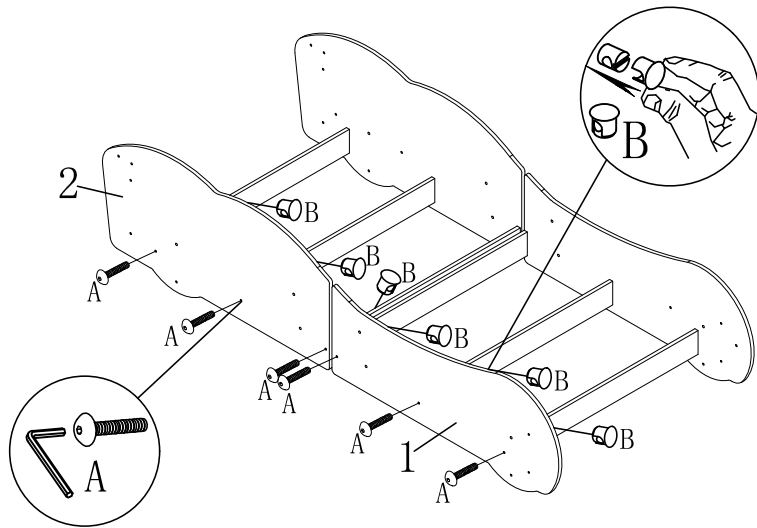
4



A  M6*50
QTY:6

B   QTY:6

5



A

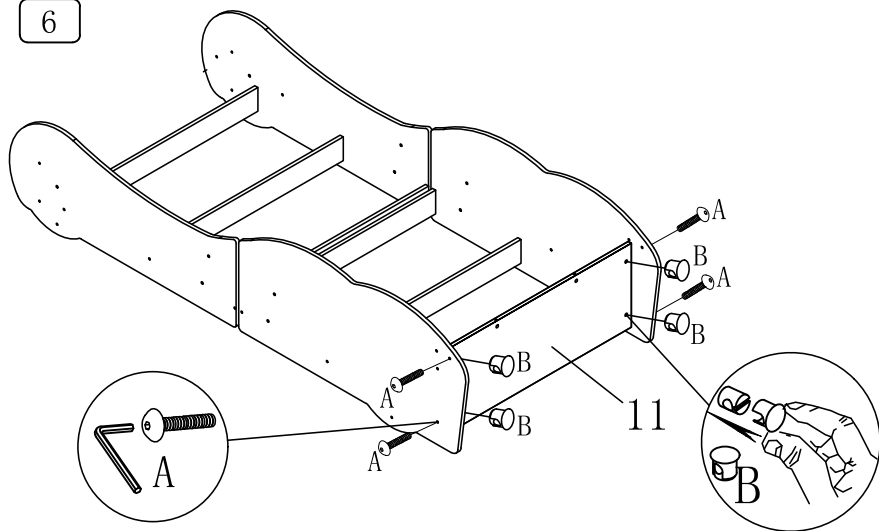
M6*50
QTY:6

B



QTY:6

6



A

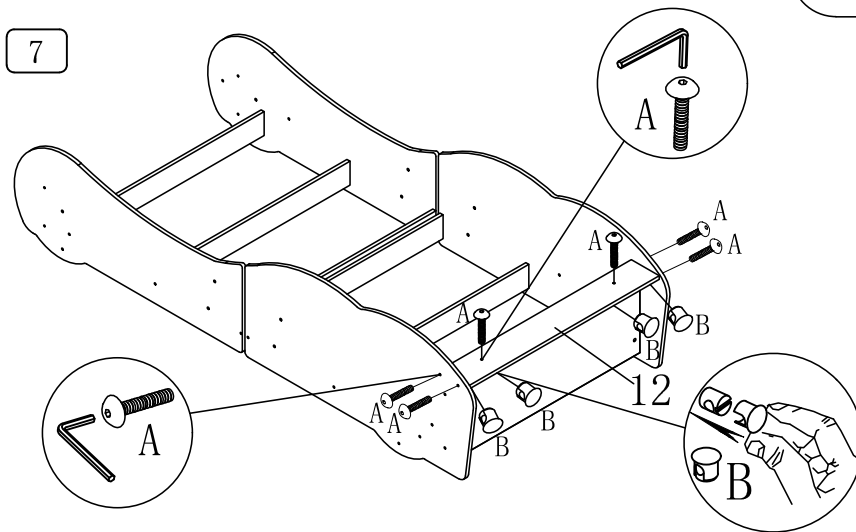
M6*50
QTY:4

B



QTY:4

7



A

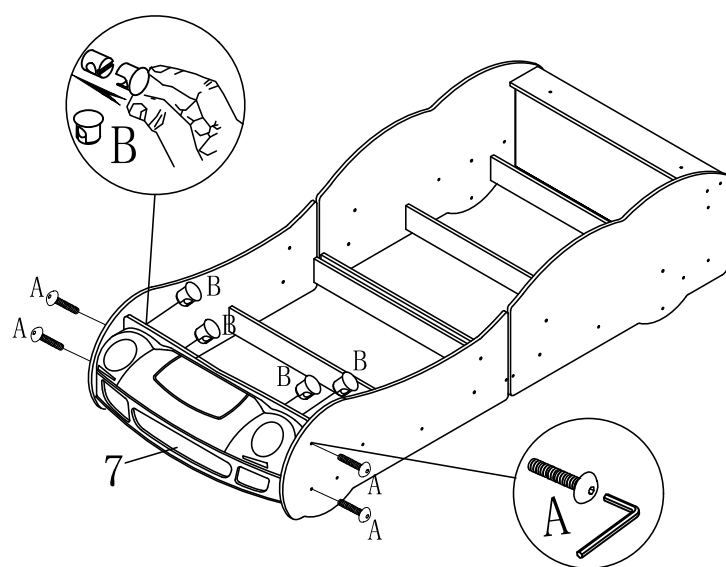
M6*50
QTY:6

B



QTY:6

8



A

M6*50
QTY:4

B



QTY:4