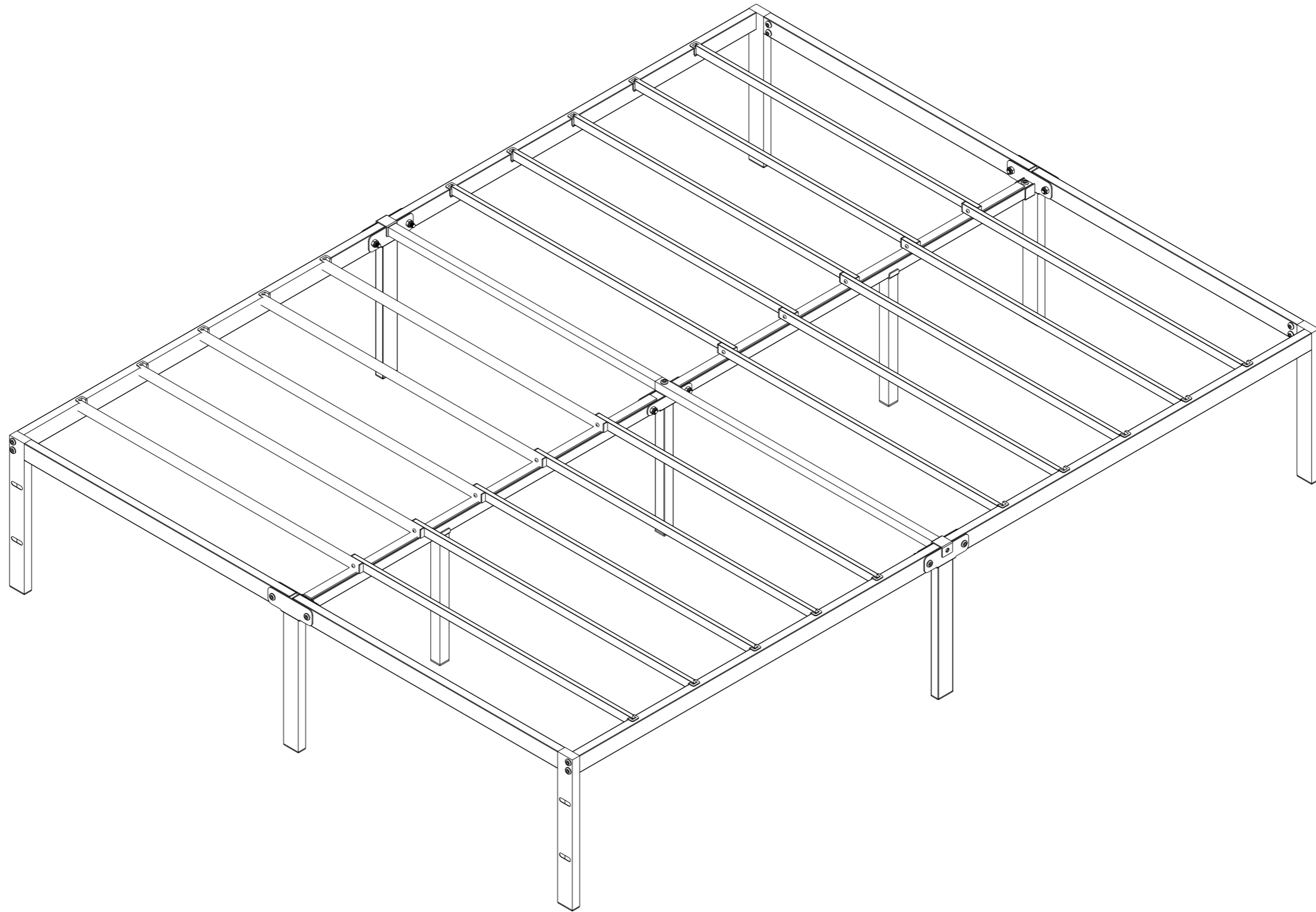
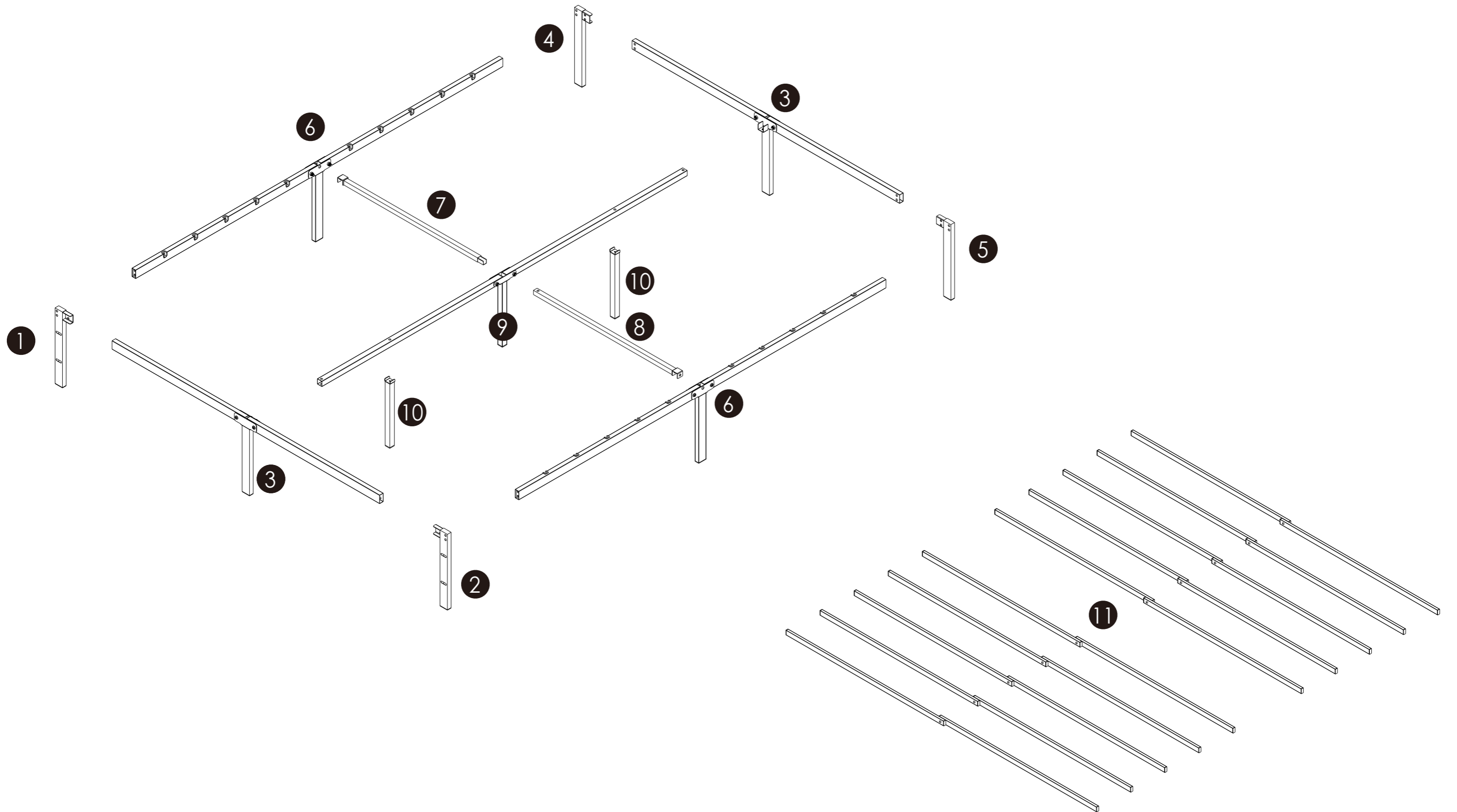


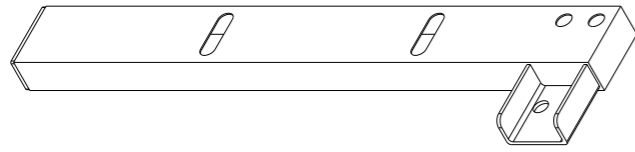
MB-D-PLAT-D / Q / NZK



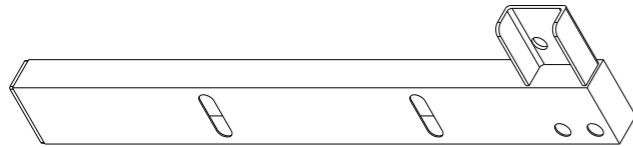
ASSEMBLY INSTRUCTIONS



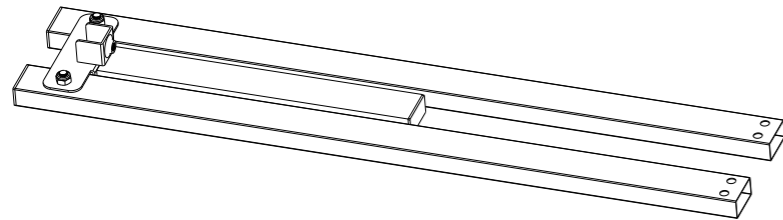
Components



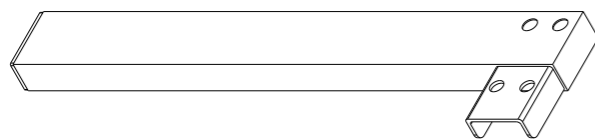
..... ① X 1 pc



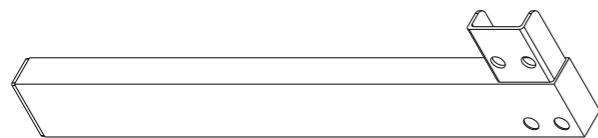
..... ② X 1 pc



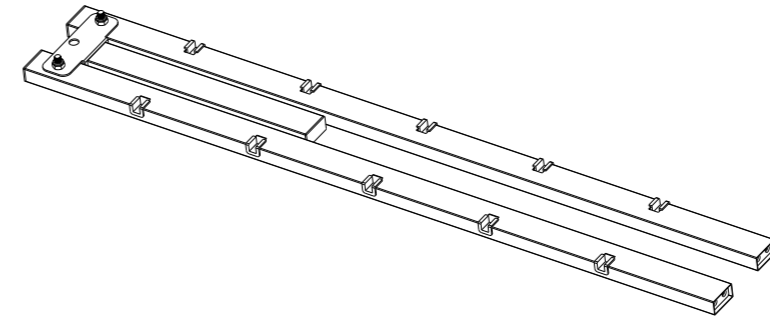
..... ③ X 2 pcs



..... ④ X 1 pc



..... ⑤ X 1 pc



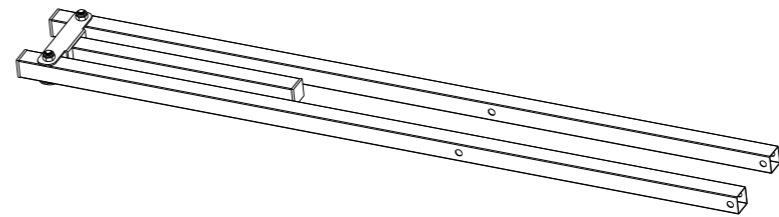
..... ⑥ X 2 pcs



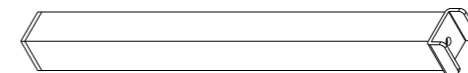
..... ⑦ X 1 pc



..... ⑧ X 1 pc



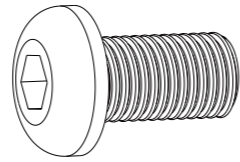
..... ⑨ X 1 pc



..... ⑩ X 2 pcs

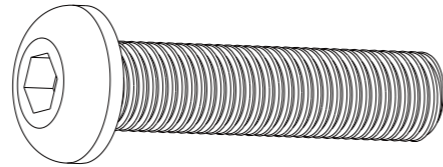


..... ⑪ X 10 pcs



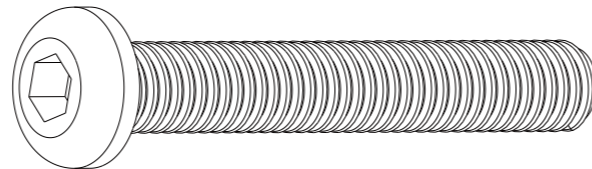
M8 X 15 mm

----- ● **A** X 8 pcs



M8 X 35 mm

----- ● **B** X 14 pcs



M8 X 55 mm

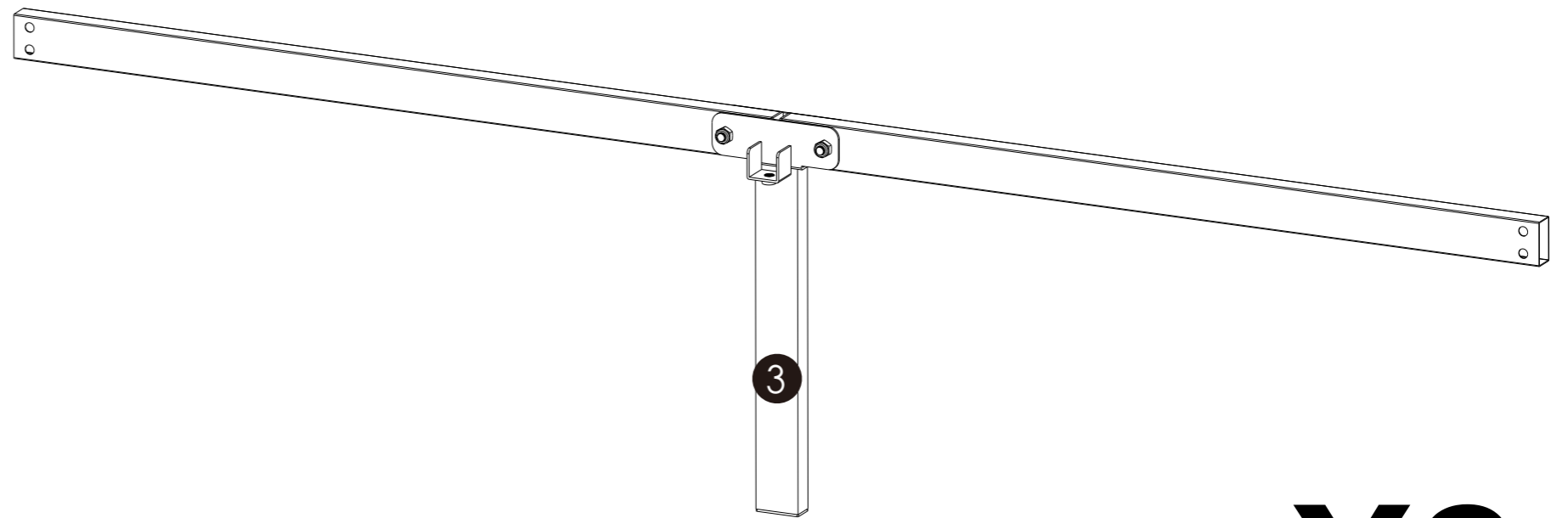
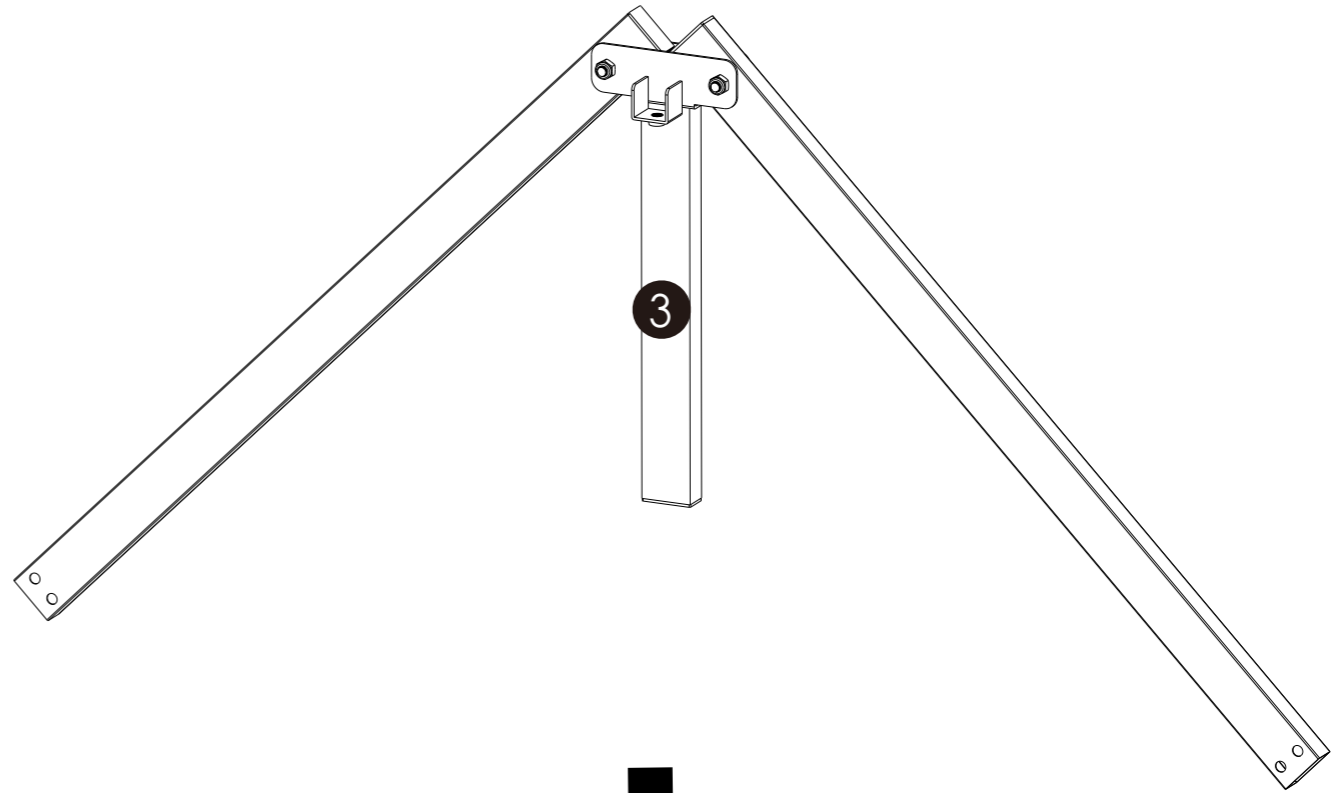
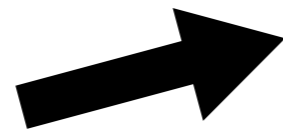
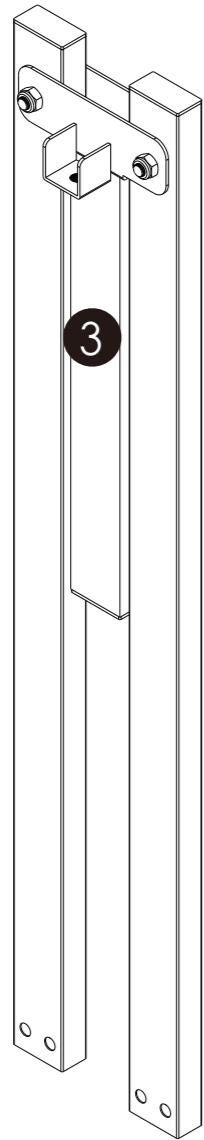
----- ● **C** X 1 pc



Wrench

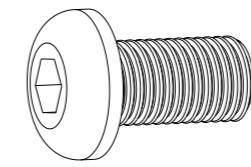
----- ● **D** X 1 pc

1



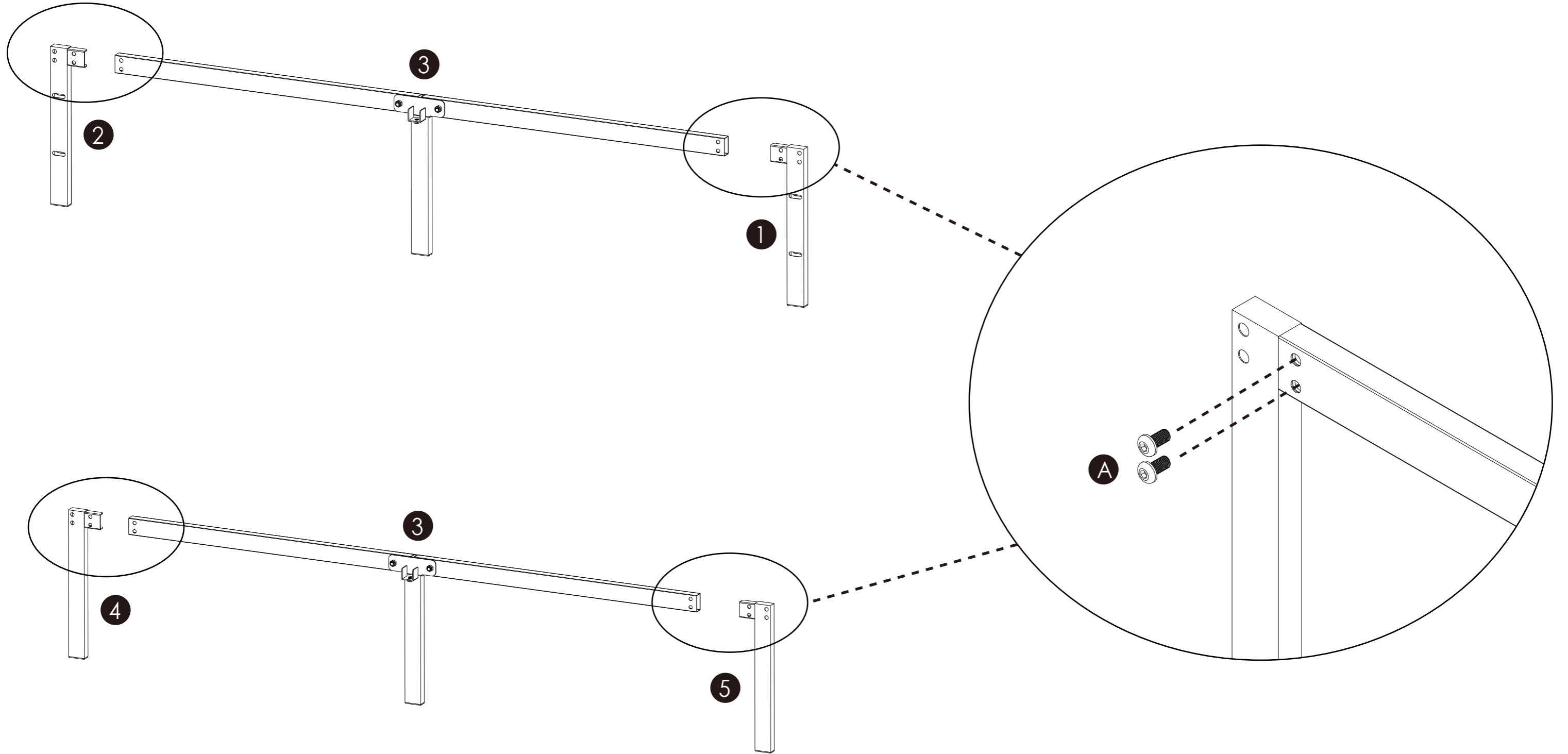
X2

2

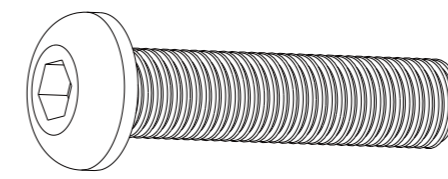


M8 X 15 mm

..... **A** X 8 pcs

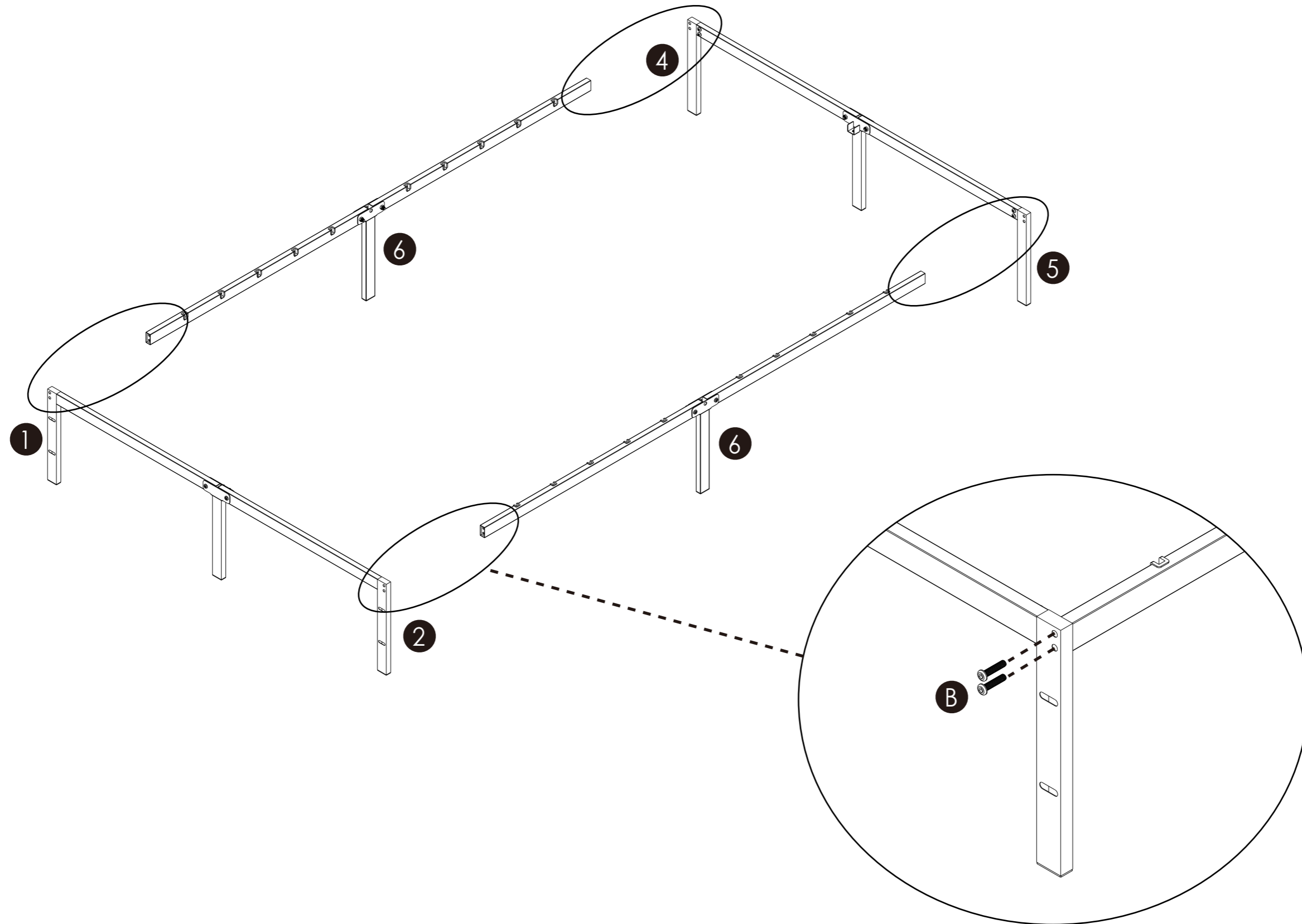


3

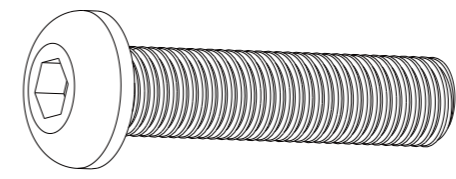


M8 X 35 mm

..... **B** X 8 pcs

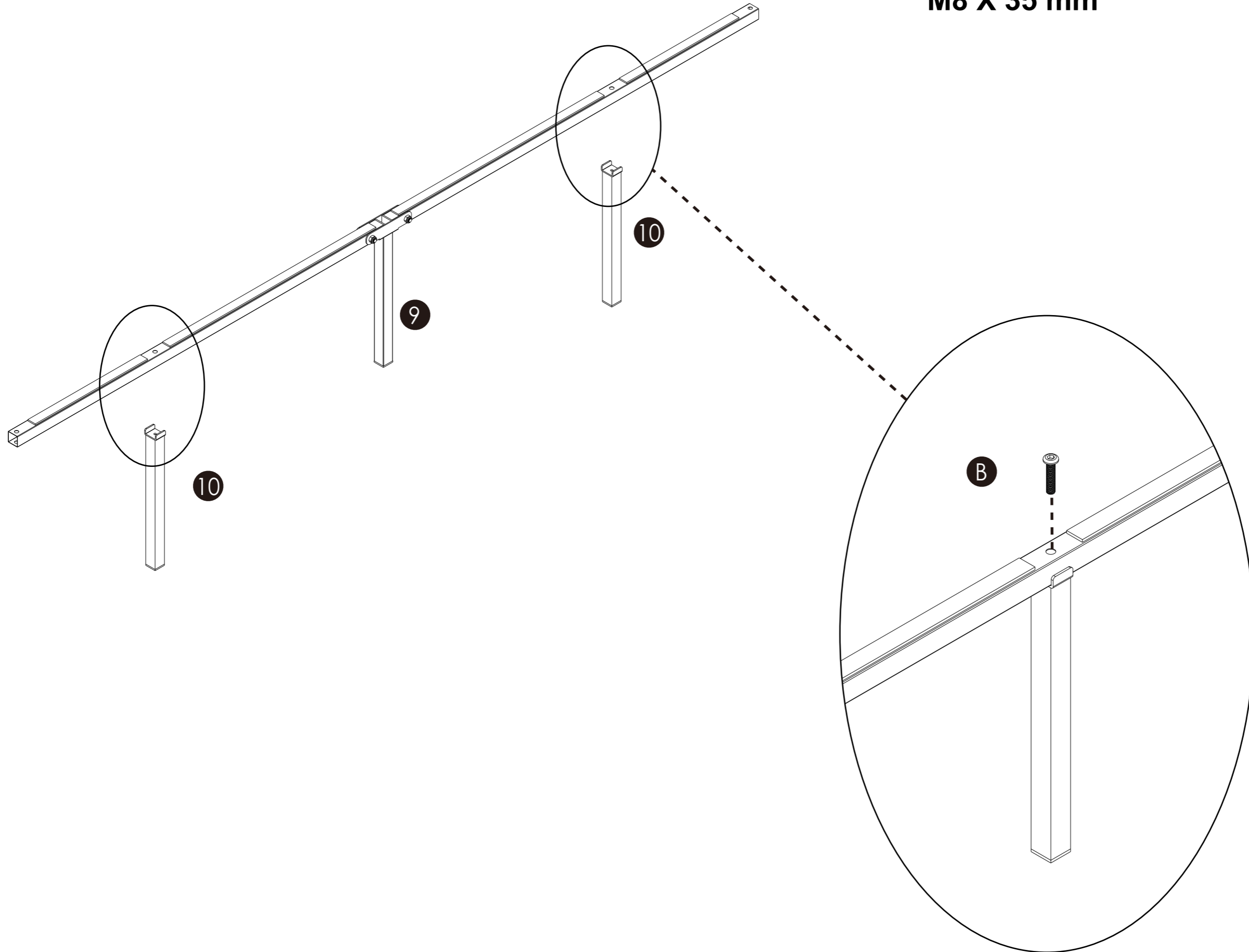


4

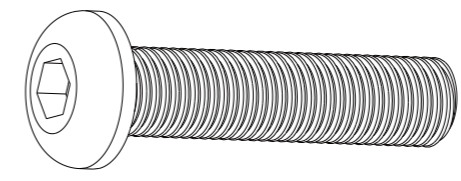


M8 X 35 mm

..... **B** X 2 pcs

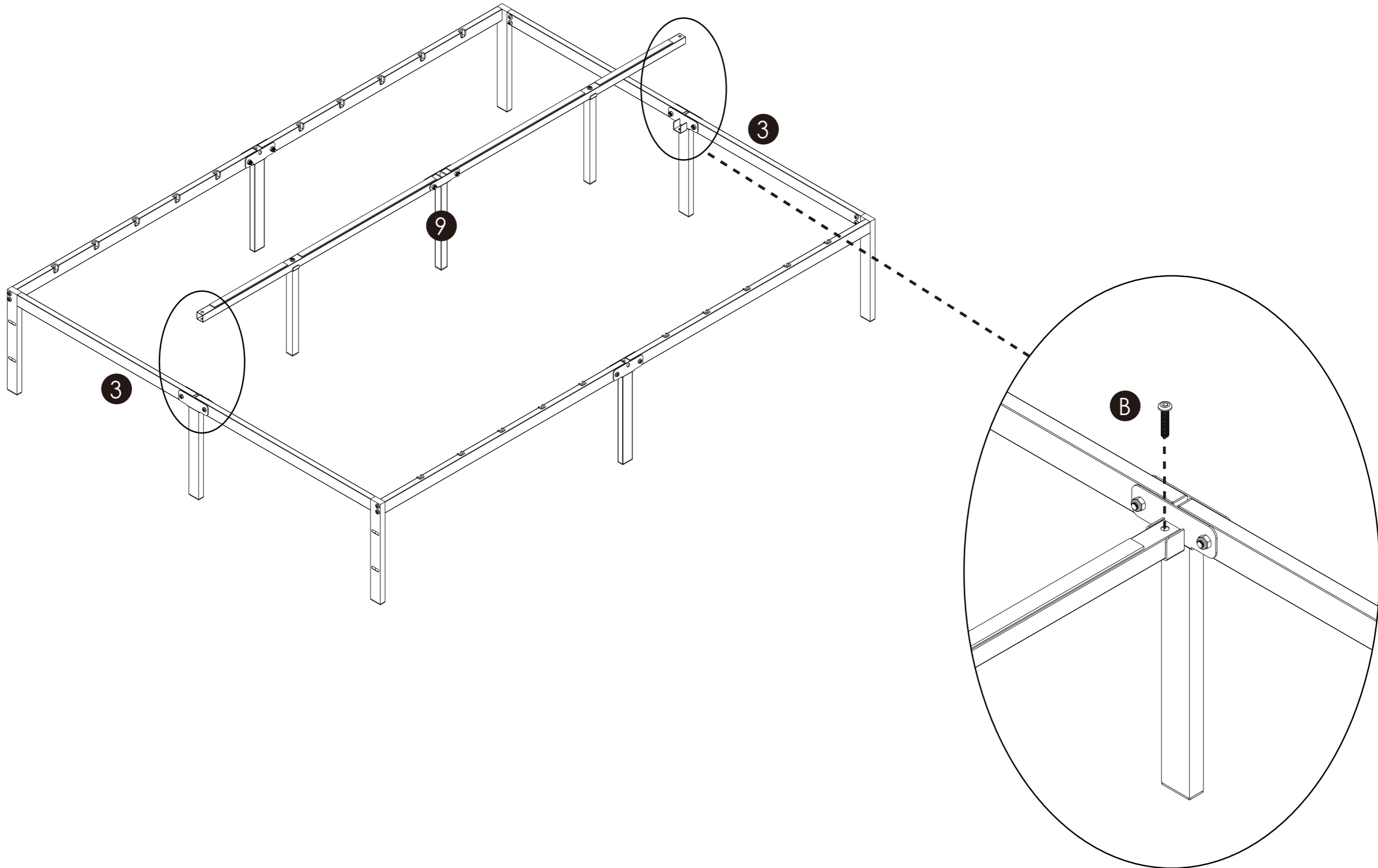


5

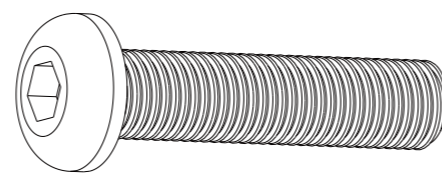


M8 X 35 mm

----- **B** X 2 pcs

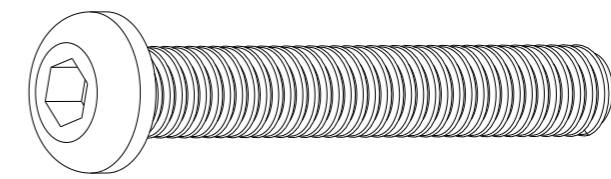


6



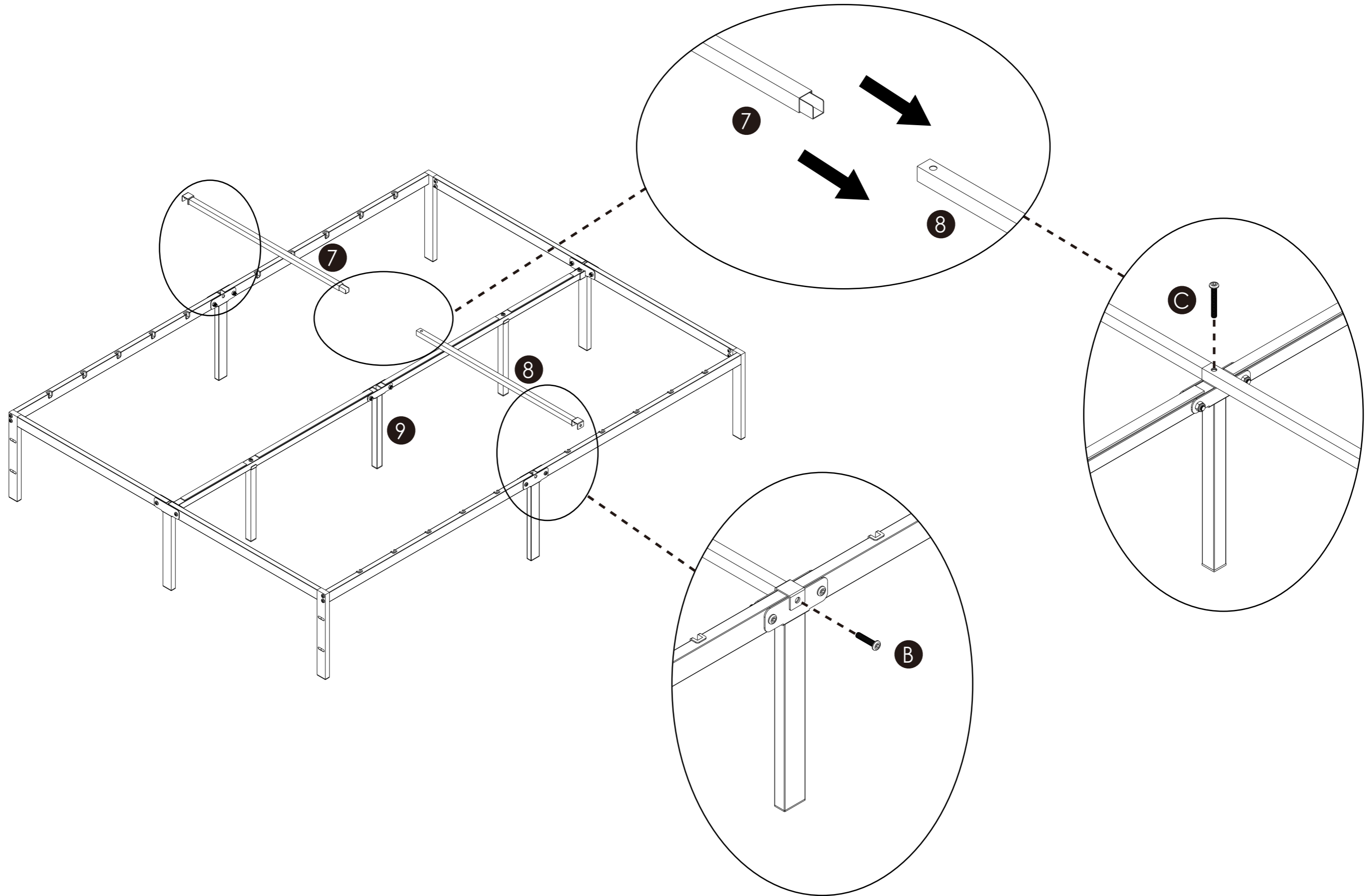
B X 2 pcs

M8 X 35 mm



C X 1 pc

M8 X 55 mm



7

