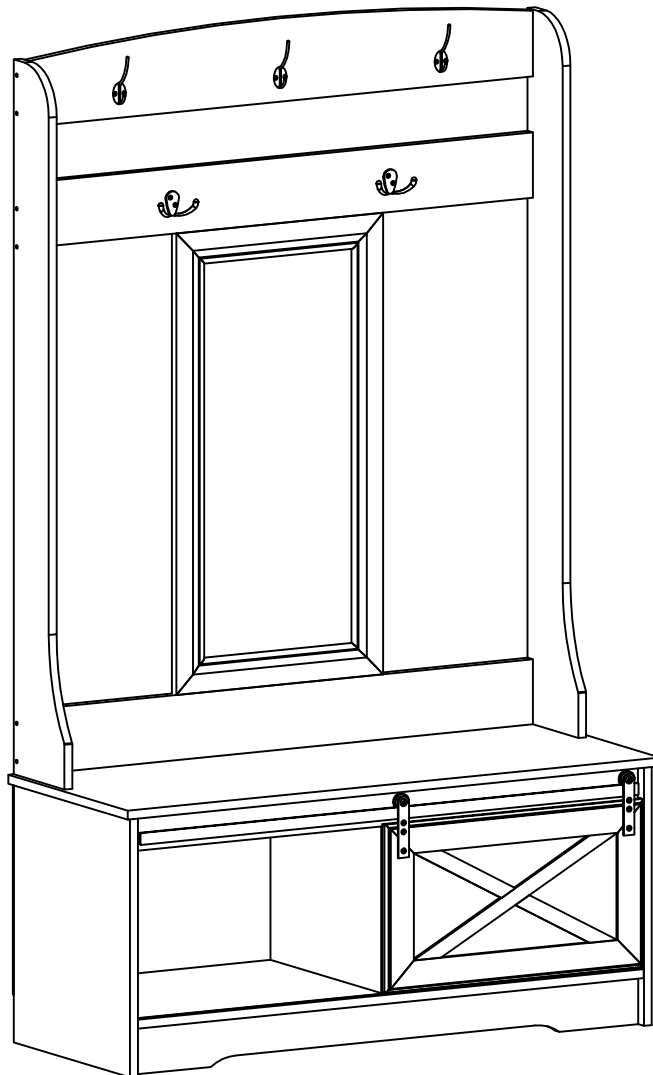


ASSEMBLY INSTRUCTIONS

ITEM#: GM8918/GM8924/GM8925/GM8993

Important Safety Instructions:

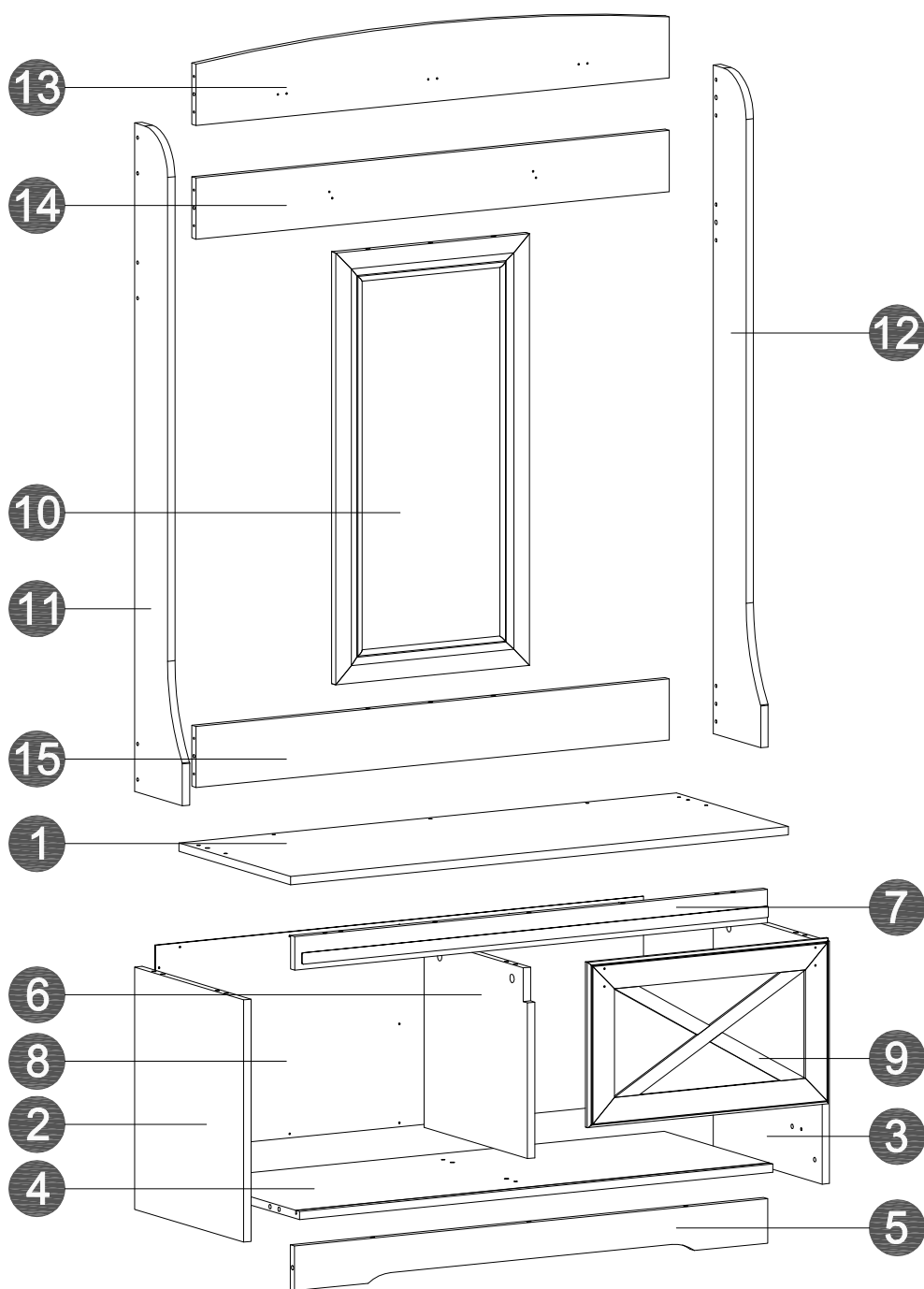
- Please read all instructions before beginning assembly
- Please make sure receive all the parcels to start the assembly
- For your safety and convenience, assembly by two people is recommended
- Use the parts and hardware lists to identify and separate each of the components included
- Save all packing materials until assembly is completed to avoid the accidental discarding of smaller parts or hardware



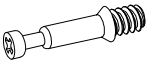



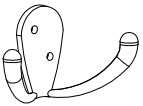

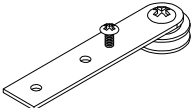
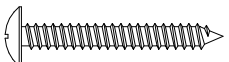
THANK YOU FOR PURCHASING

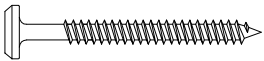

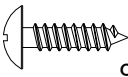


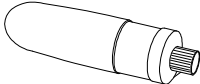
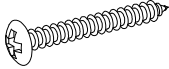
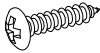
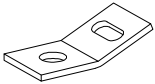
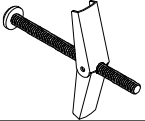

PARTS LIST

1 X1	2 X1	3 X1	4 X1	5 X1
6 X1	7 X1	8 X1	9 X1	10 X1
11 X1	12 X1	13 X1	14 X1	15 X1



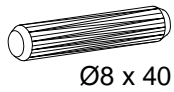
HARDWARE LIST

Name	Part	Qty.	Spare
A		13	1
B		13	1
C	 Ø8 x 30	21	1
D	 Ø8 x 40	6	1
E		2	
F		3	
G		2	
H	 2" Screw	9	1

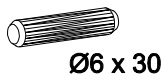
Name	Part	Qty.	Spare
I	 2" Screw	12	1
J	 5/8" Screw	10	1
K	 9/16" Screw	4	1
L	 3/4" Nail	17	1
M	 Ø6 x 30	10	1
N		1	
U1		1	
U2		1	
U3		2	
U4		1	
U5		1	

STEP 1

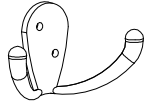
D x 6pcs



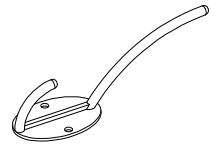
M x 10pcs



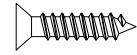
E x 2pcs



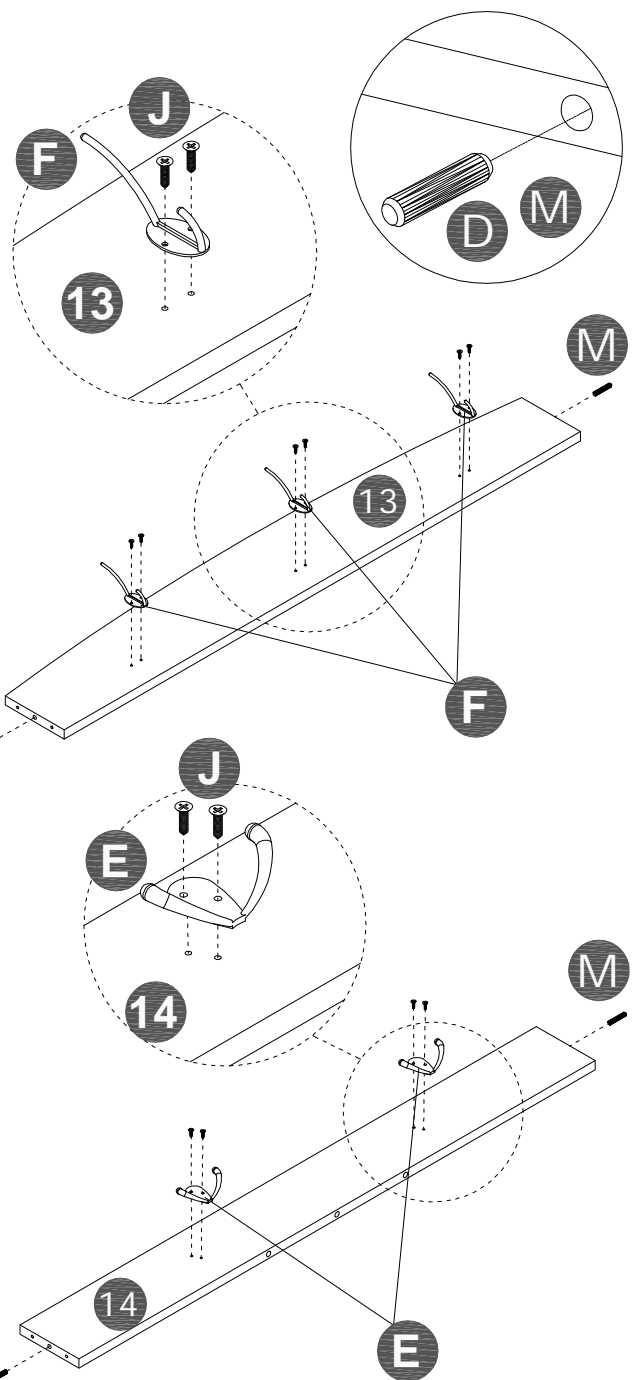
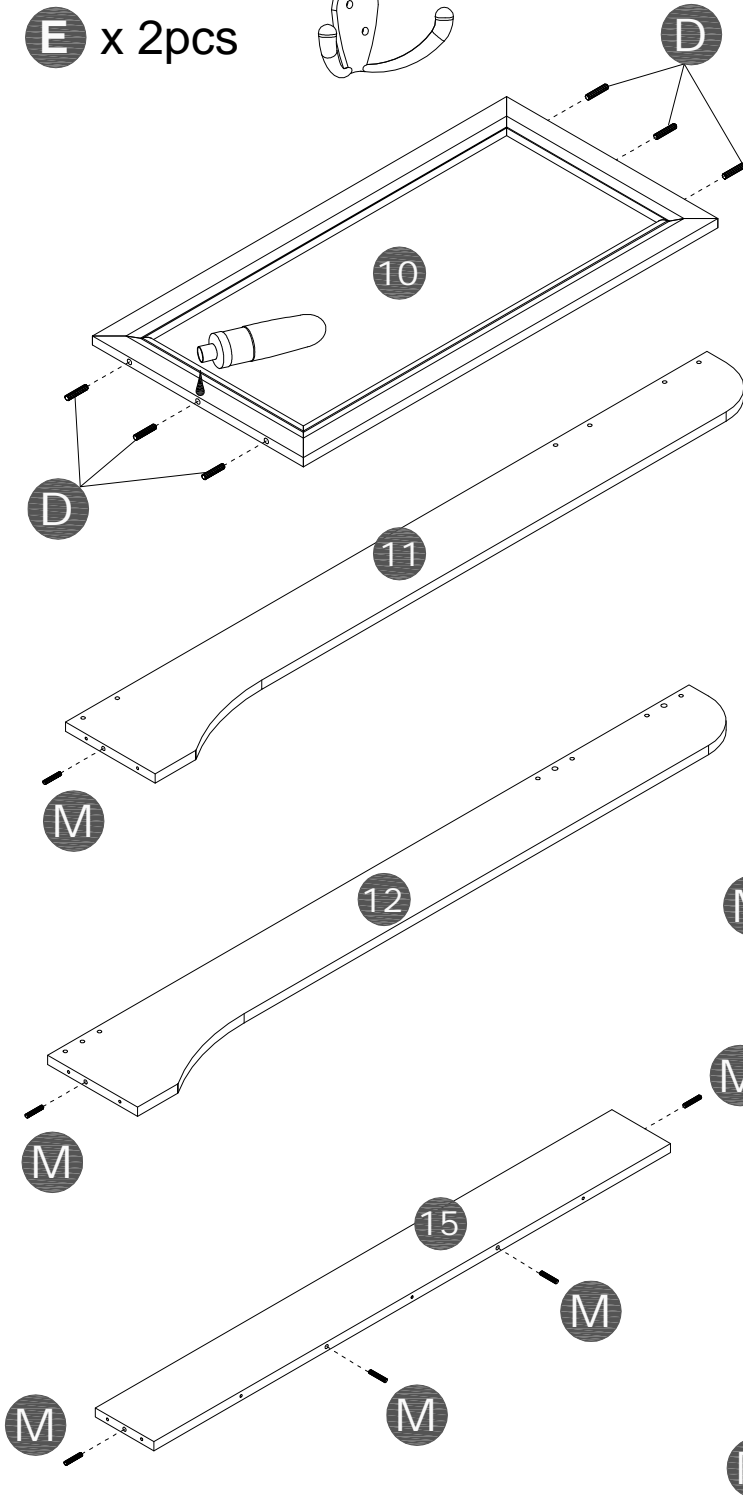
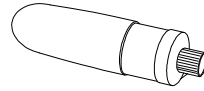
F x 3pcs



J x 10pcs

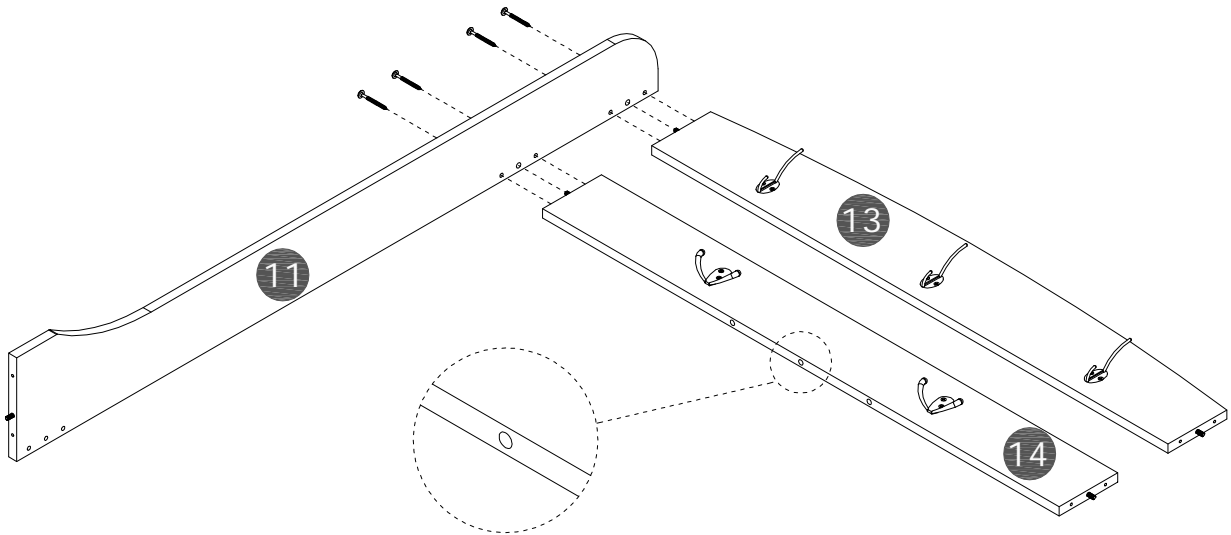
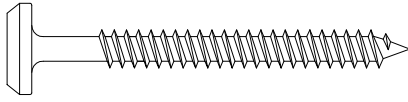


N



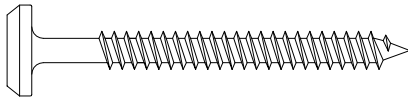
STEP 2

I x 4pcs

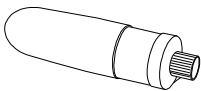


STEP 3

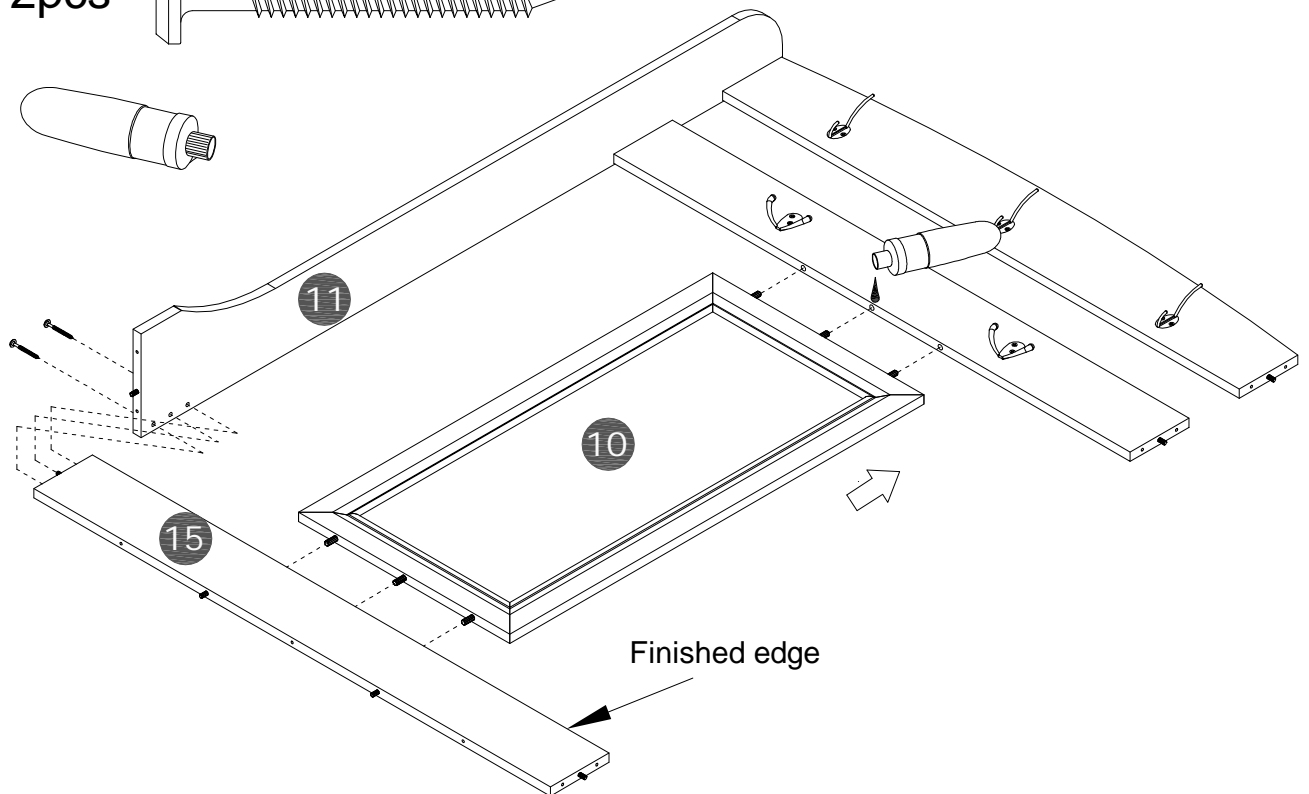
I x 2pcs



N

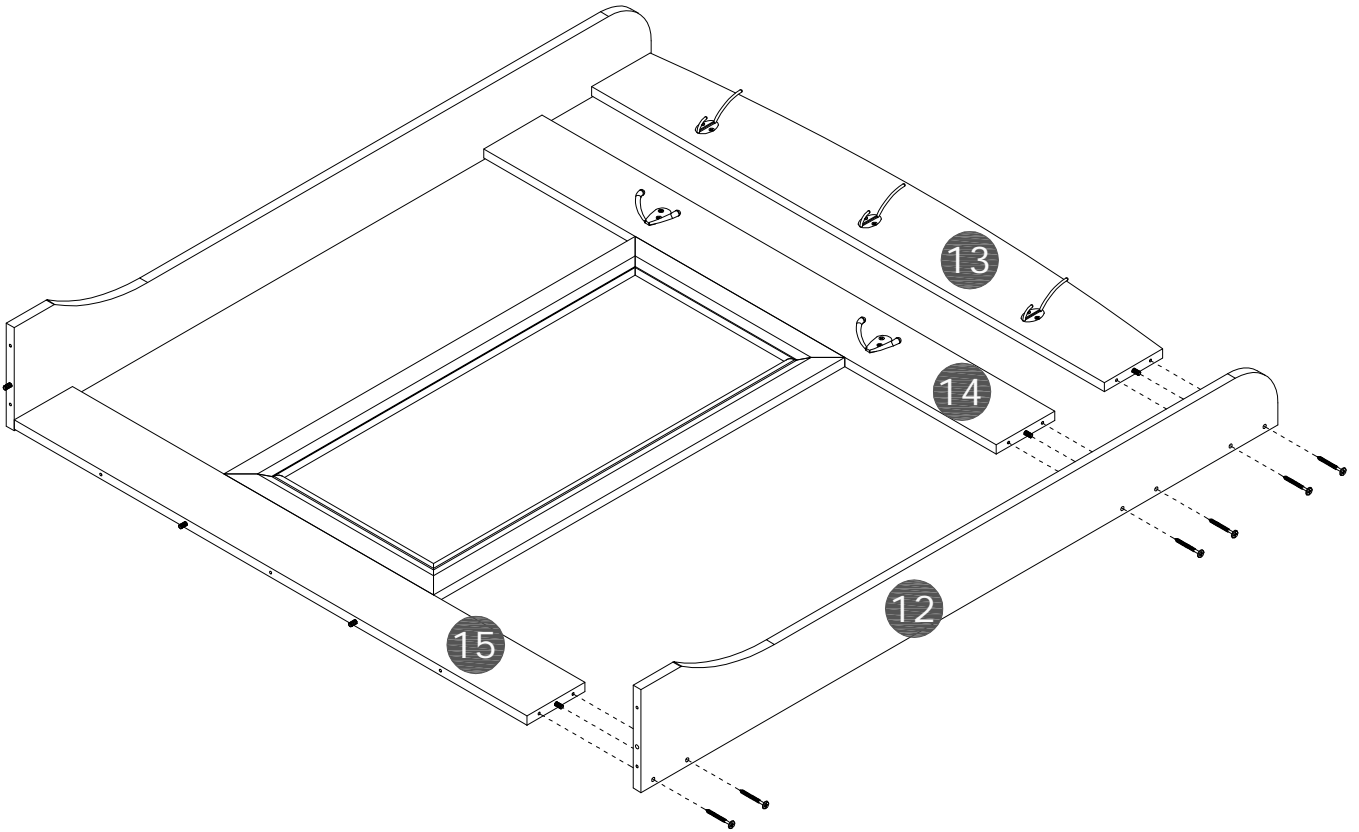
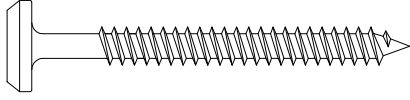


It is very important to add a small drop of glue to the connecting hole of the wooden stick!



STEP 4

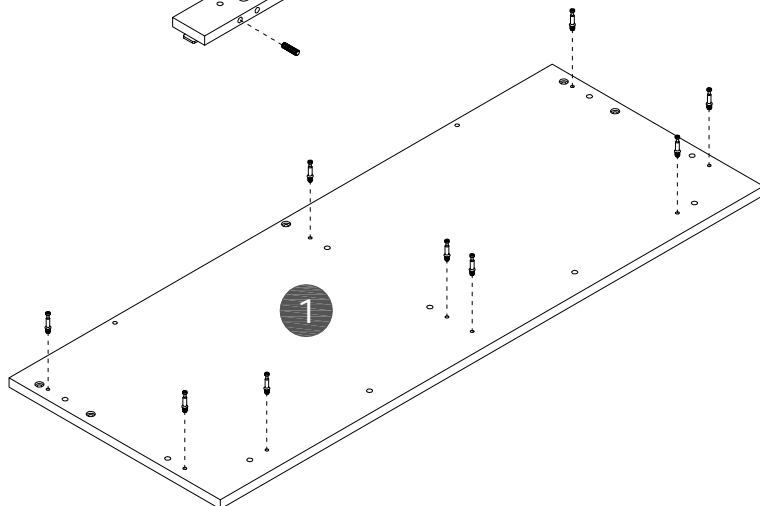
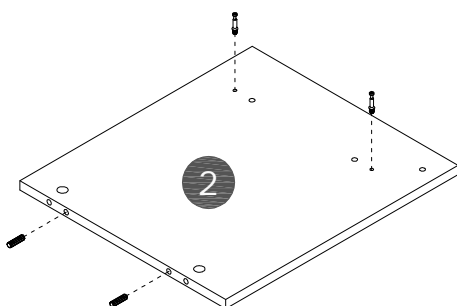
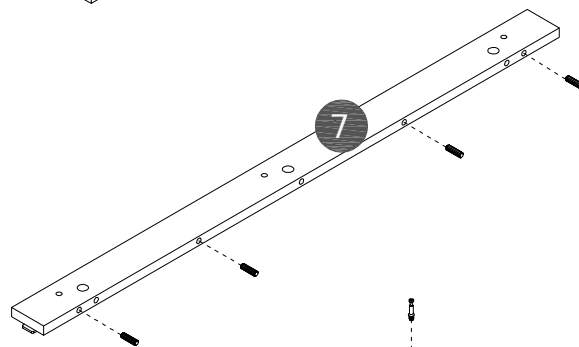
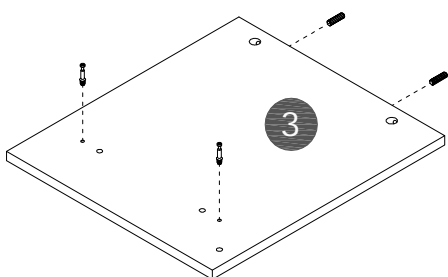
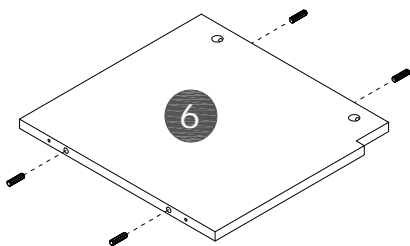
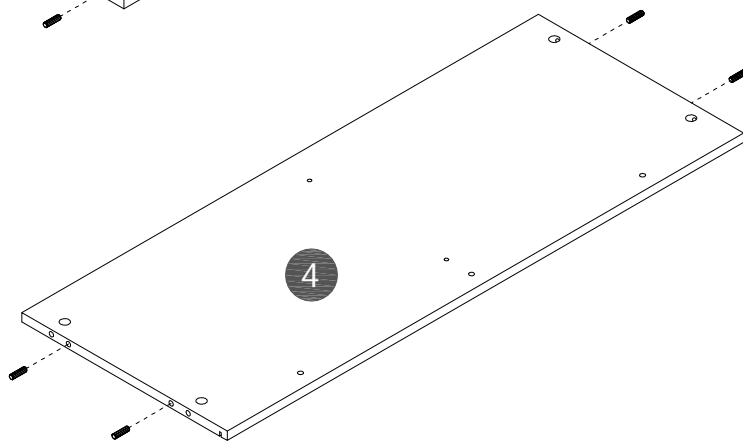
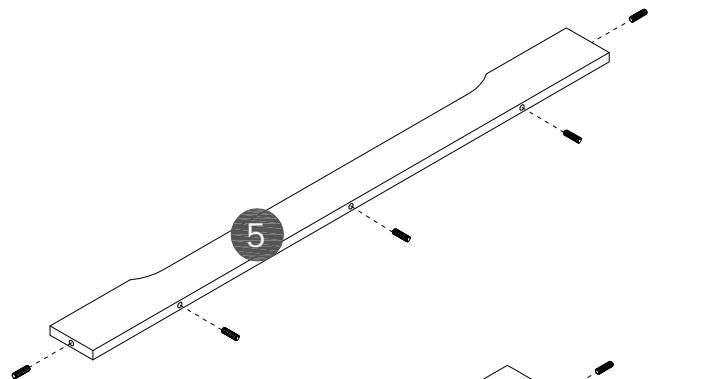
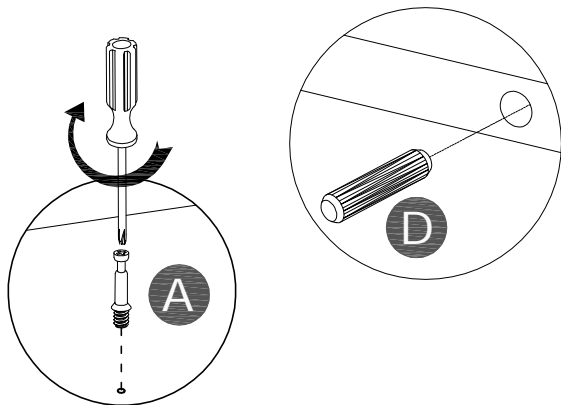
1 x 6pcs



STEP 5

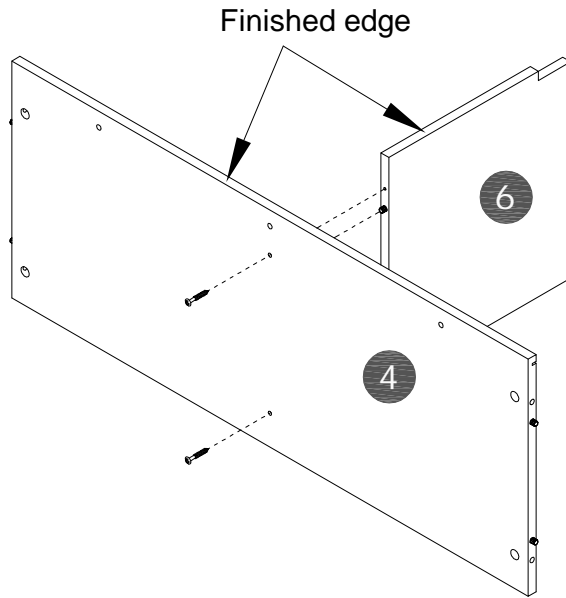
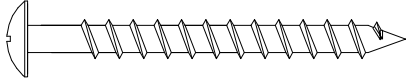
A x 13pcs 

C x 21pcs  Ø8 x 30



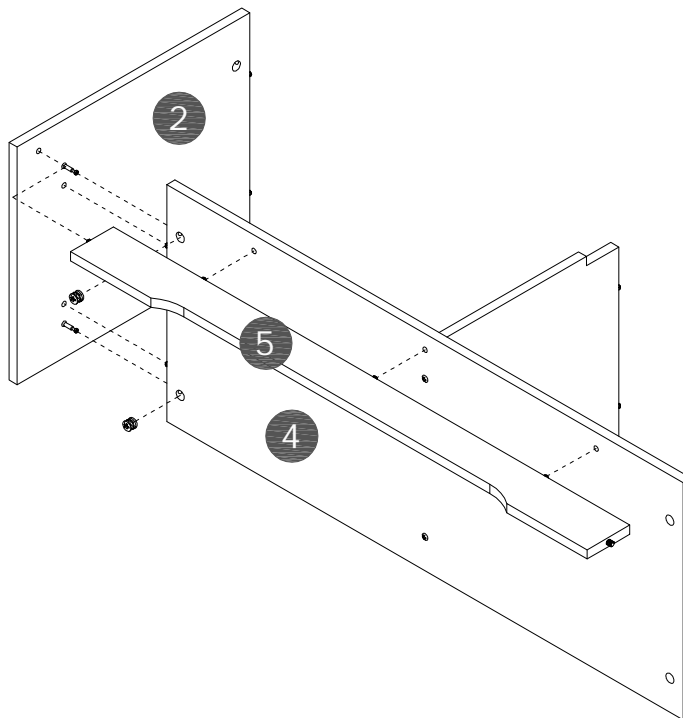
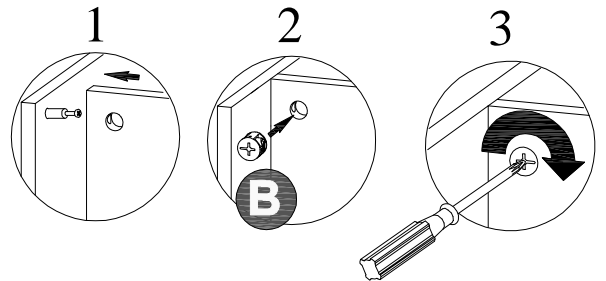
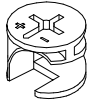
STEP 6

H x 2pcs



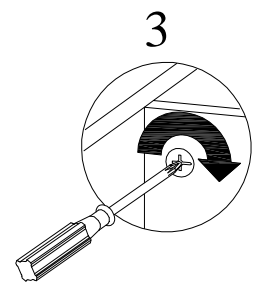
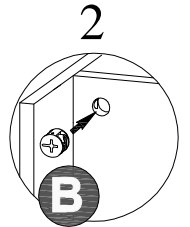
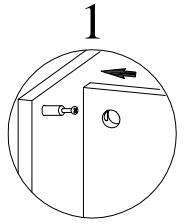
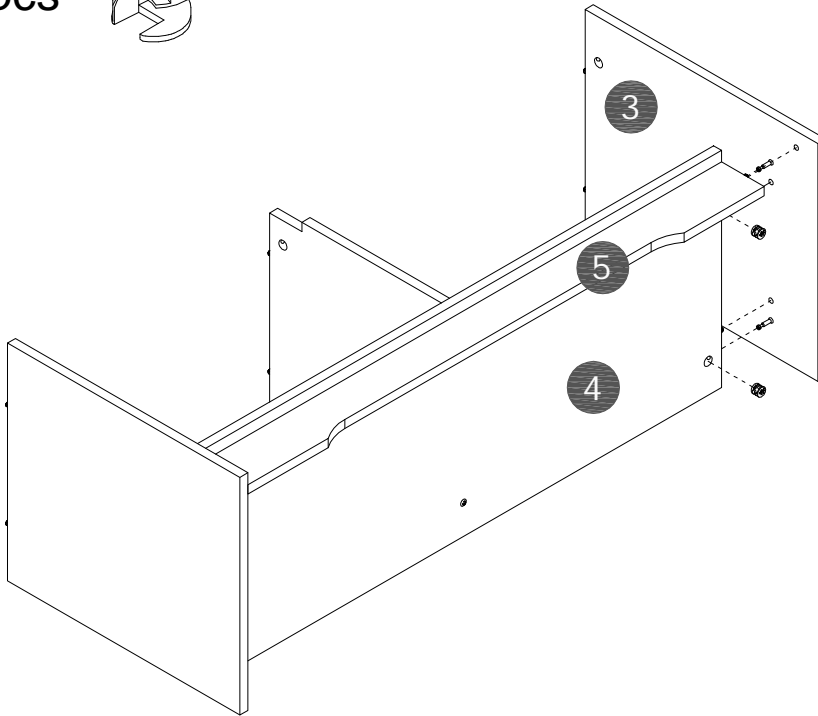
STEP 7

B x 2pcs



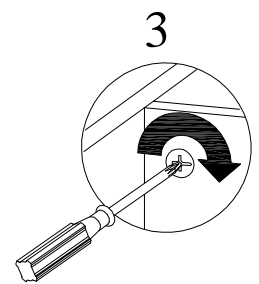
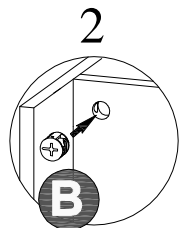
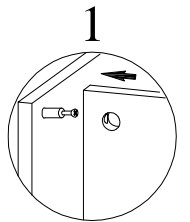
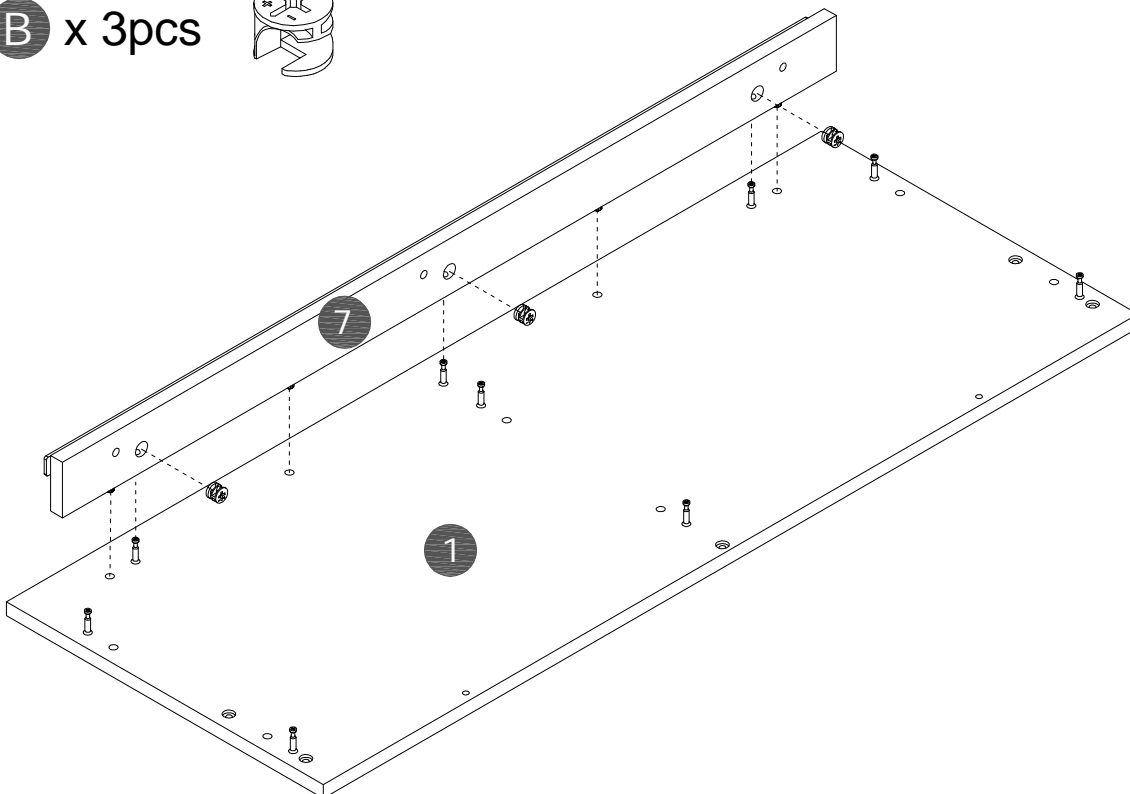
STEP 8

B x 2pcs

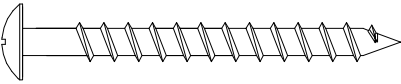


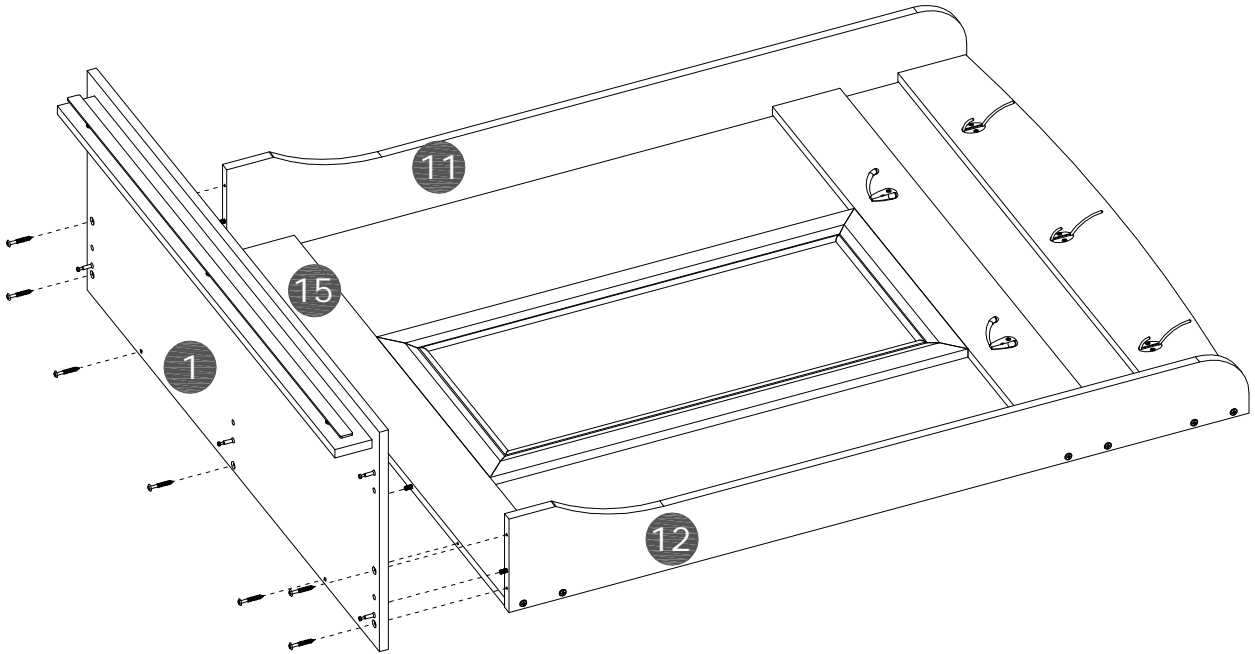
STEP 9

B x 3pcs



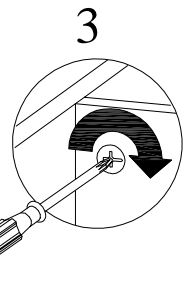
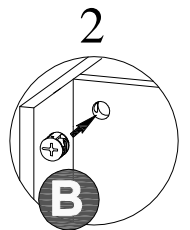
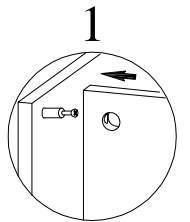
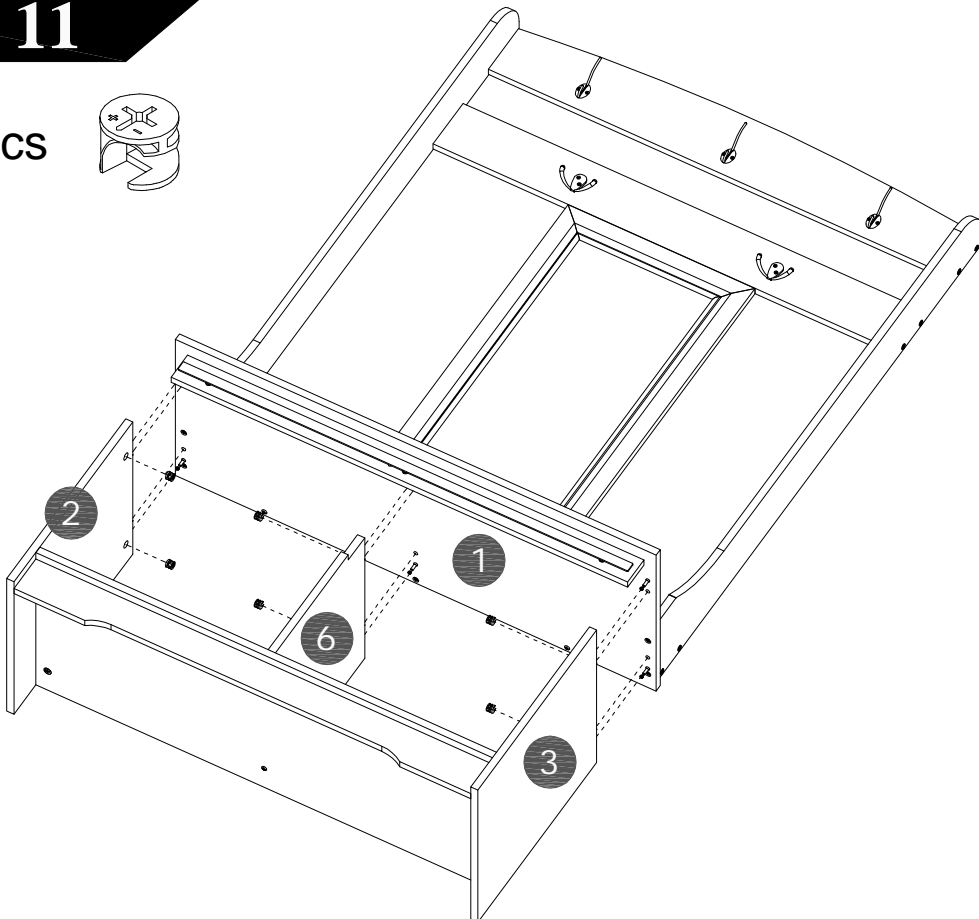
STEP 10

H x 7pcs 



STEP 11

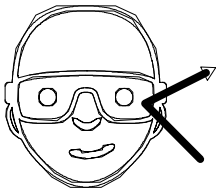
B x 6pcs 



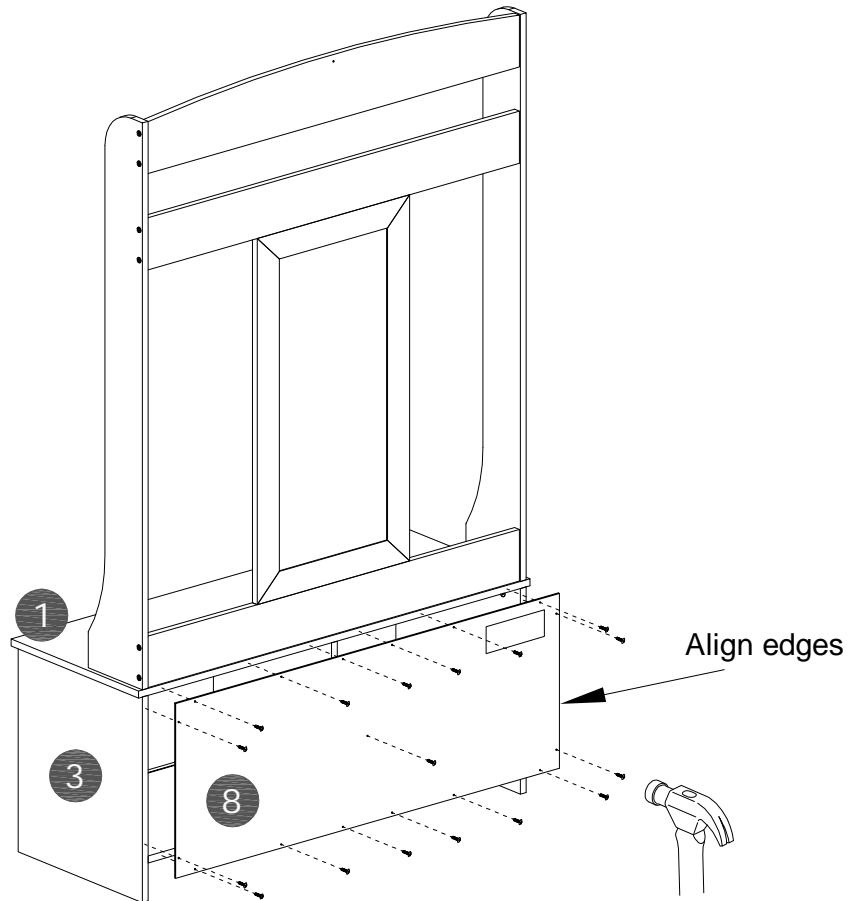
STEP 12

L x 17pcs 

With assistant carefully
flip unit over.

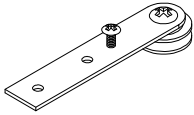


Safety glasses

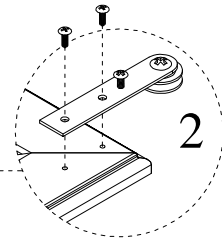
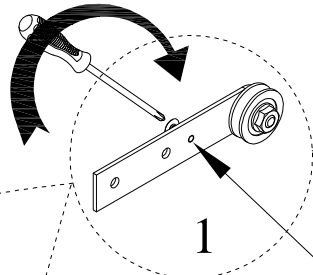
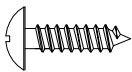


STEP 13

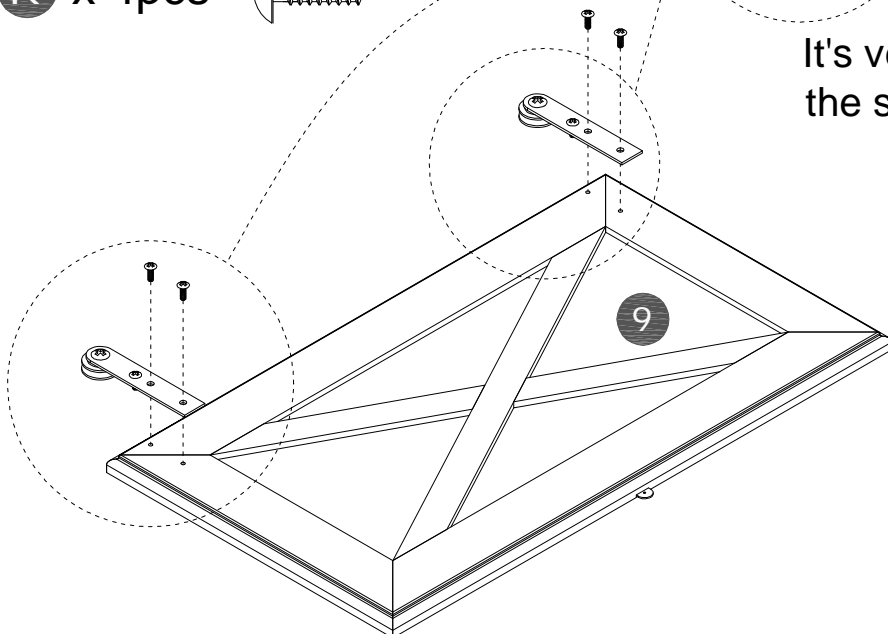
G x 2pcs



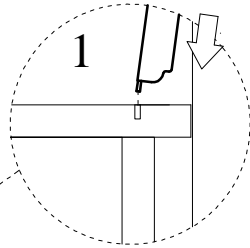
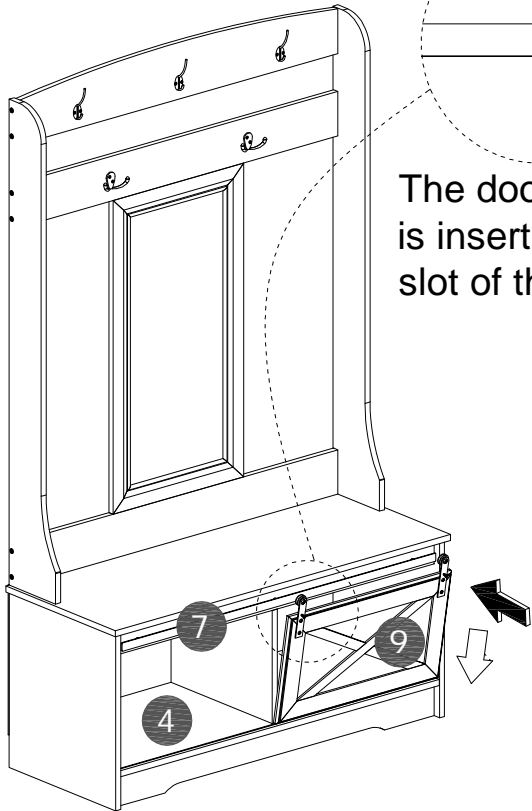
K x 4pcs



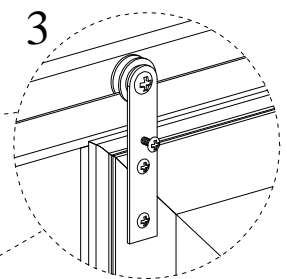
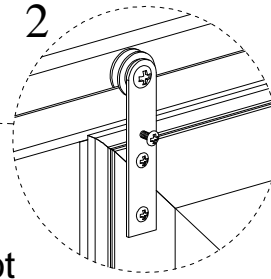
It's very important to loosen
the screw to a flat surface!



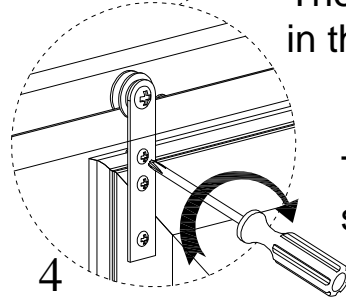
STEP 14



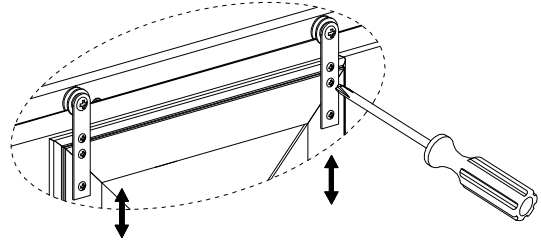
The door card slot is inserted into the slot of the base plate



The wheel is held in the guide rail



Tighten the screws

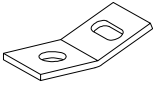


STEP 15

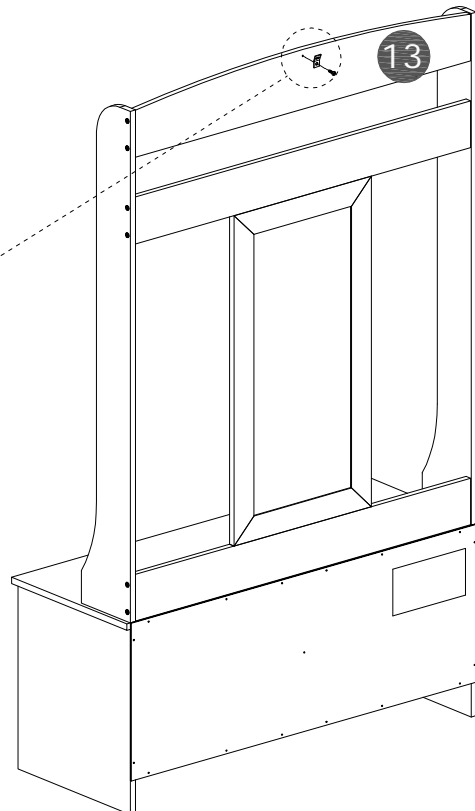
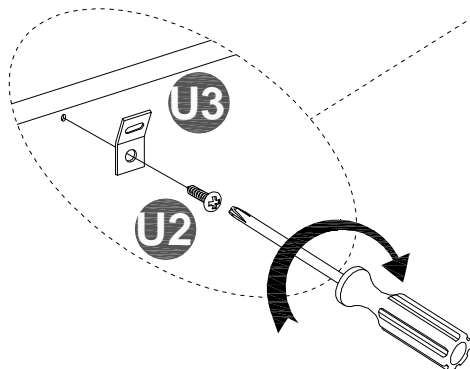
U2 x 1pc



U3 x 1pc

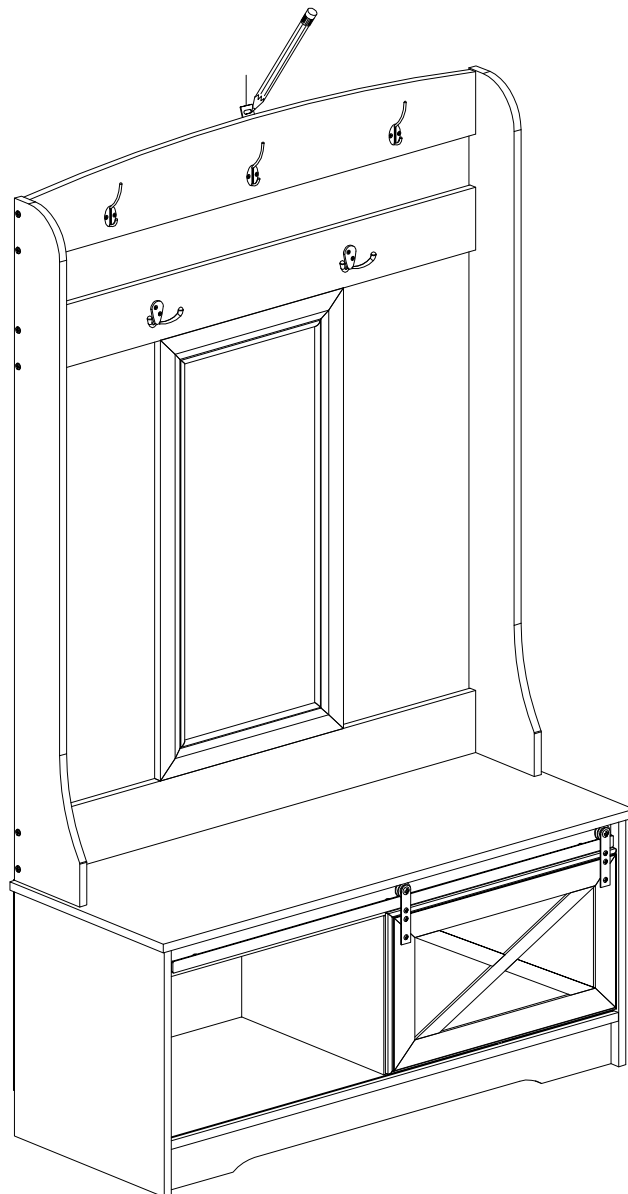
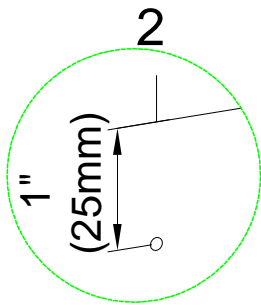
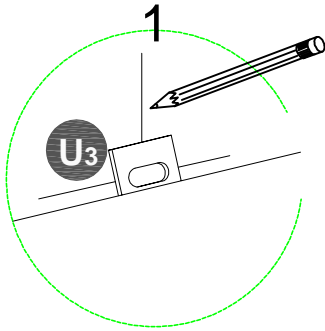


Connecting Plate



STEP 16

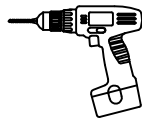
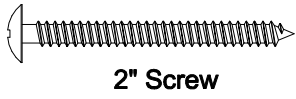
1. Place unit in desired location.
2. Locate wall stud nearest unit center.
3. On wall, mark center of stud location 1" below top of unit.
4. If a wall stud cannot be located mark hollow wall at unit center.



STEP 17

WALL STUD ATTACHMENT

U₁ x1pcs



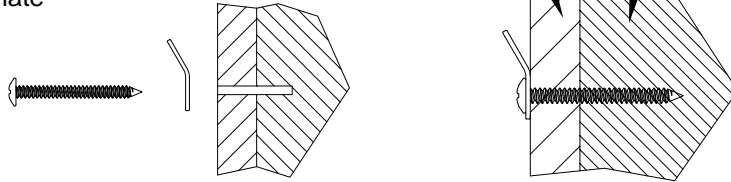
Drill 1/8" hole 2" deep at mark on wall.

U₃ x1pcs



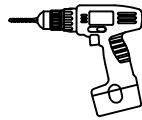
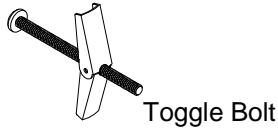
Drywall
Paneles de yeso
cloisons sèches

Wood stud
Montante de madera
Stud bois



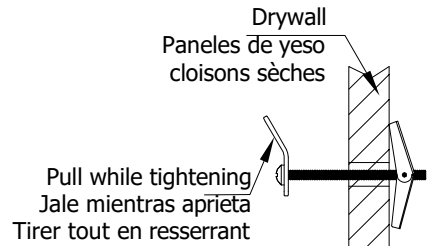
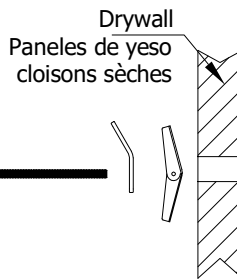
HOLLOW WALL ATTACHMENT

U₄ x1pcs



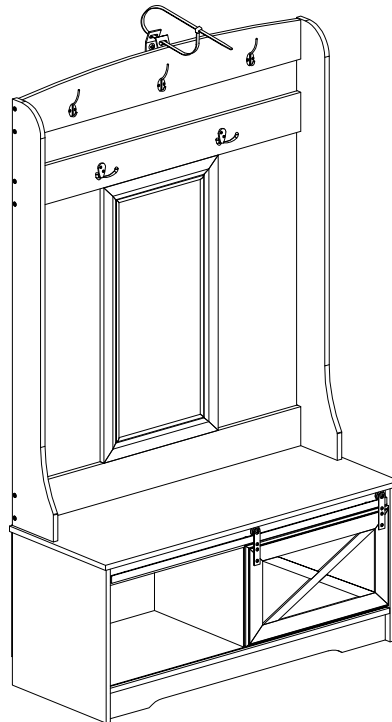
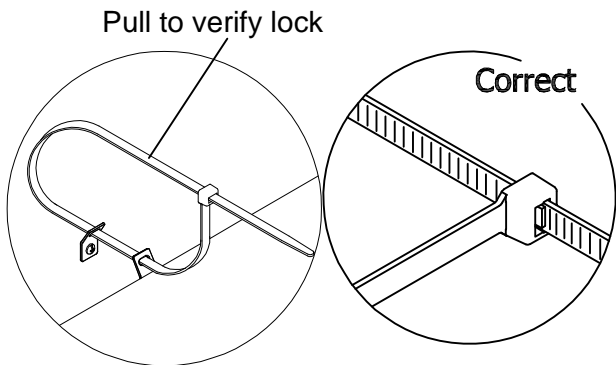
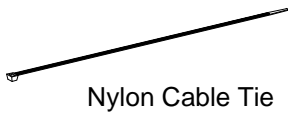
Drill 1/2" hole 1" deep at mark on wall.

U₃ x1pcs

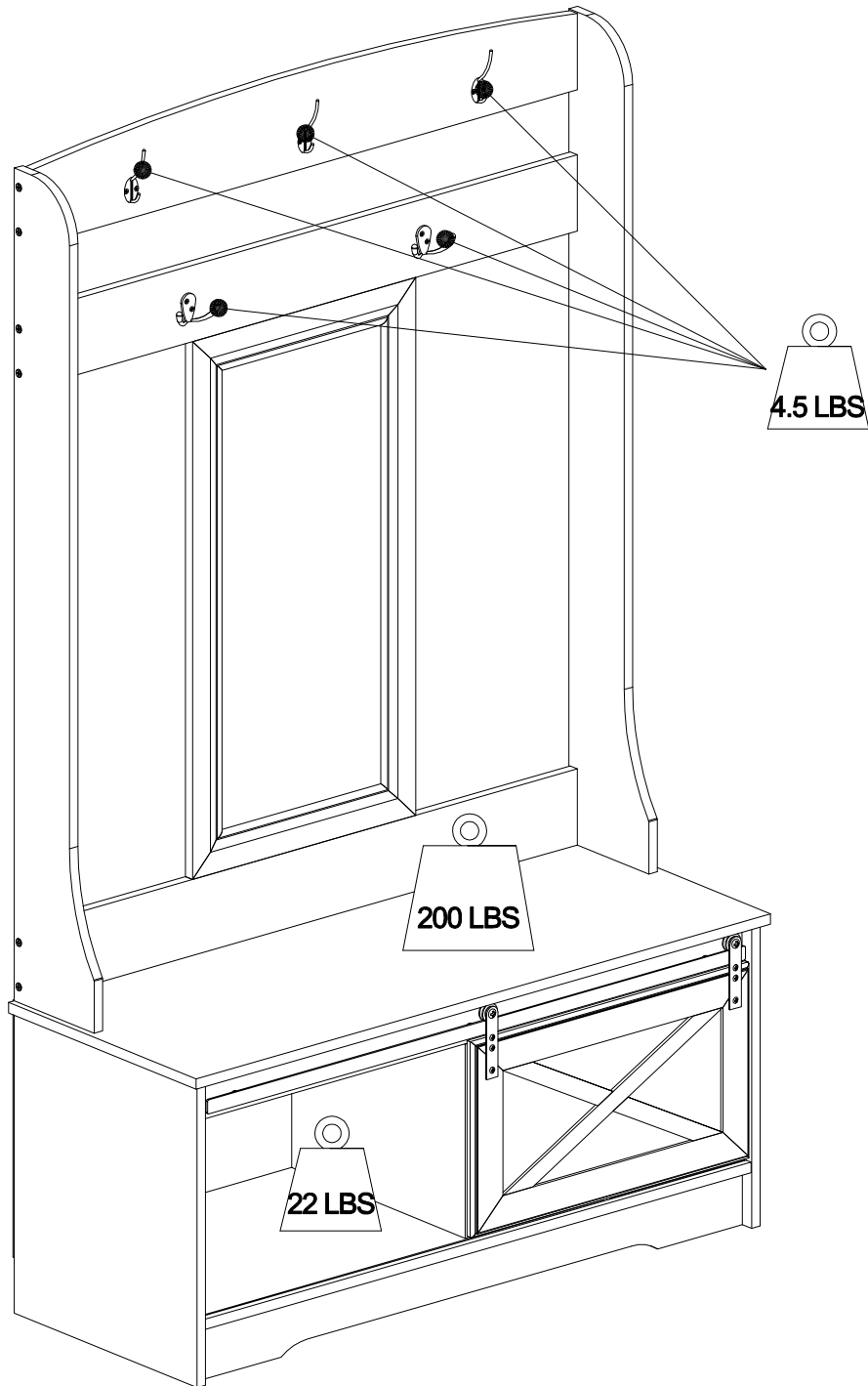


STEP 18

U₅ x 1pc



Maximum weight capacities



What is Proposition 65?

Proposition 65 is a California law that requires warning labels on products that may contain one of more than 800-plus chemicals or ingredients that the California Office of Environmental Health Hazard Assessment (OEHHA) has deemed to cause cancer or other reproductive toxicity. Chemicals and elements on this list include wood dust, brass, and other everyday substances, which can be found in very common household items, such as: lamps, tableware, jewelry, crystal glasses, electric cords, beauty products, automobiles, and furniture.

Why Did I Find a Proposition 65 Warning on My Home Goods Product?

We include Proposition 65 warnings on all of our products because there is always a chance that one of the 800-plus common chemicals and ingredients listed under this law could potentially be on our furniture or packing materials. We risk large fines under this law, if we don't include this warning.

Should I worry?

We realize you may be worried finding this warning on our products, but we want to reassure you that the hazardous exposure limits for any of these chemicals have never been found on furniture products that we've shipped to our customers. Additionally, this warning label is very common and can be found on almost every piece of furniture sold in the state of California.

Just How Common Are Proposition 65 Warnings?

Proposition 65 warnings have become so common in California that it is hard to take a trip to local bank, grocery store, or restaurant without finding at least one warning. In fact, even the Disney Land Resort has a Proposition 65 warning:

