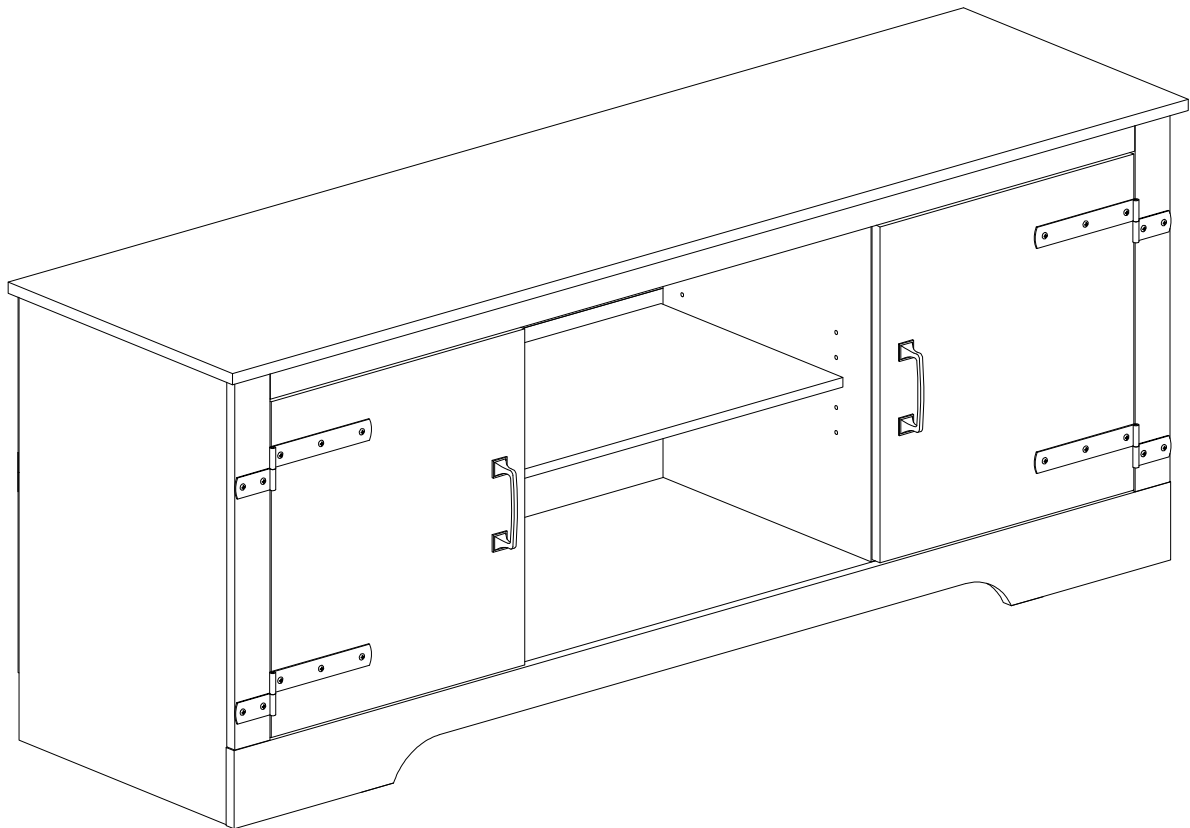


# ASSEMBLY INSTRUCTIONS

ITEM#: MG7033

## Important Safety Instructions:

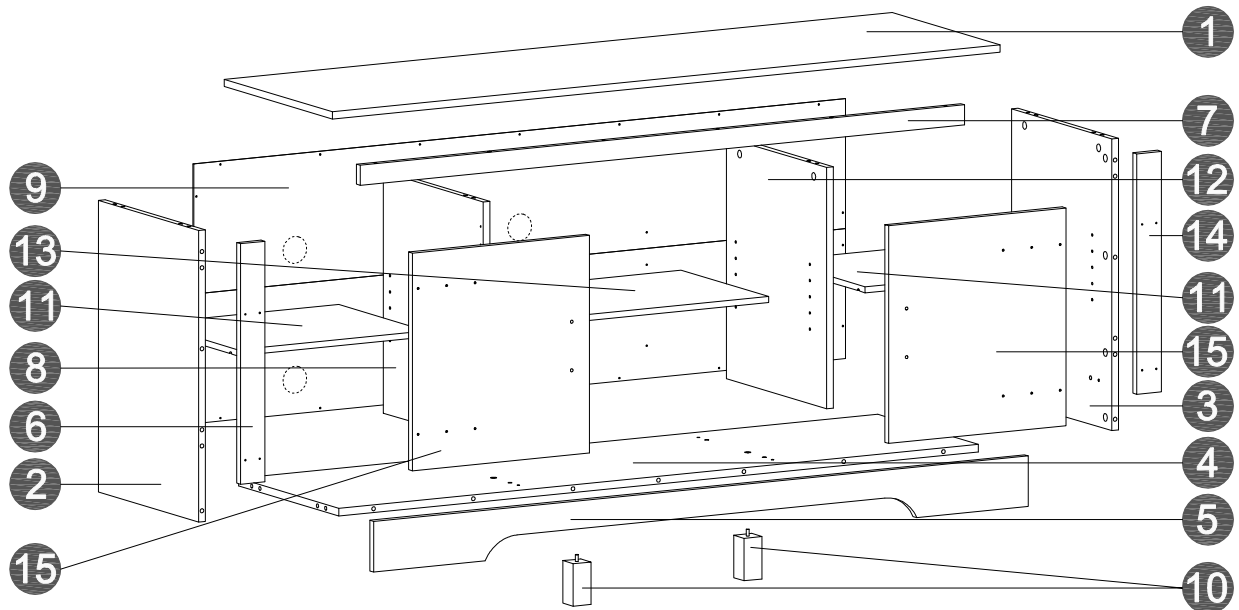
- Please read all instructions before beginning assembly
- Please make sure receive all the parcels to start the assembly
- For your safety and convenience, assembly by two people is recommended
- Use the parts and hardware lists to identify and separate each of the components included
- Save all packing materials until assembly is completed to avoid the accidental discarding of smaller parts or hardware



THANK YOU FOR PURCHASING

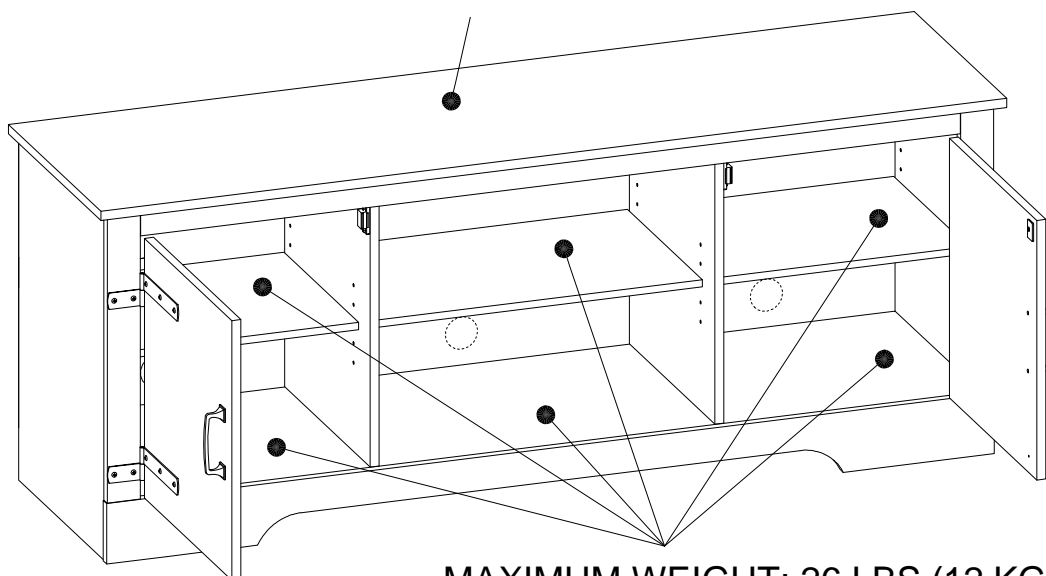
# PARTS LIST

- |      |      |      |      |      |
|------|------|------|------|------|
| ① X1 | ② X1 | ③ X1 | ④ X1 | ⑤ X1 |
| ⑥ X1 | ⑦ X1 | ⑧ X1 | ⑨ X1 | ⑩ X2 |
| ⑪ X2 | ⑫ X1 | ⑬ X1 | ⑭ X1 | ⑮ X2 |



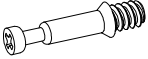


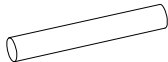
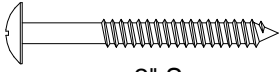


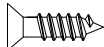
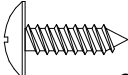
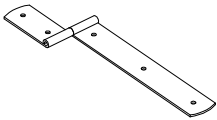
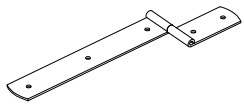
## Maximum weight capacities


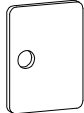


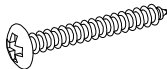
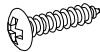
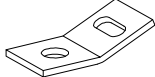
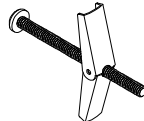

MAXIMUM WEIGHT: 75 LBS (34 KG)



MAXIMUM WEIGHT: 26 LBS (12 KG)

# HARDWARE LIST

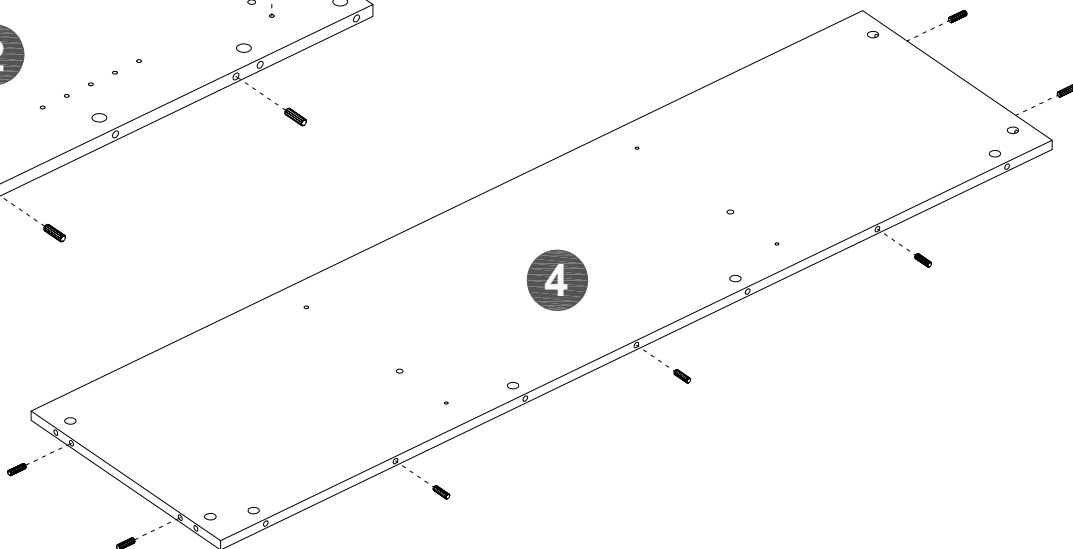
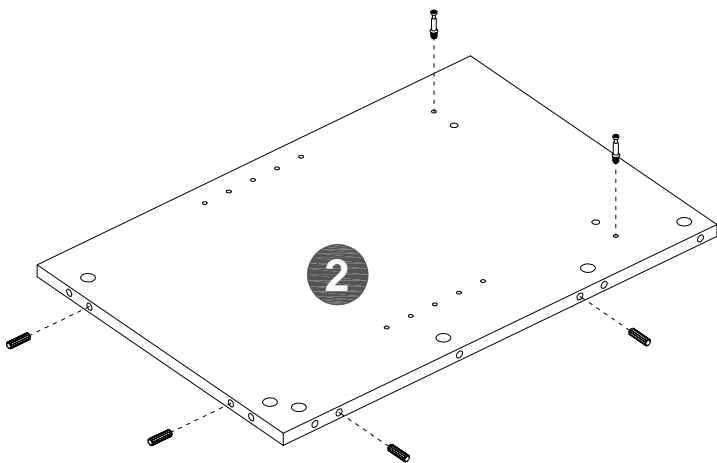
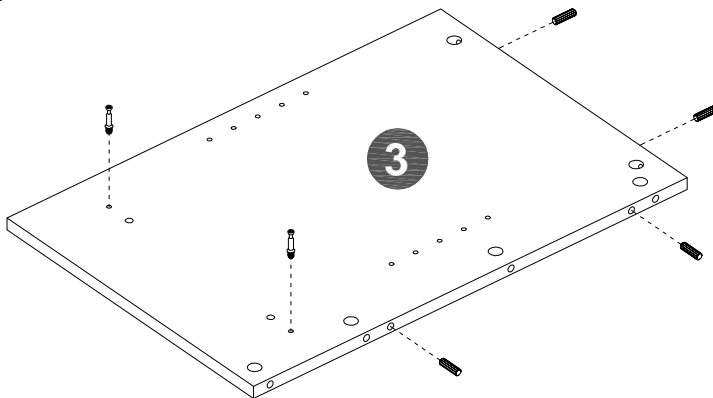
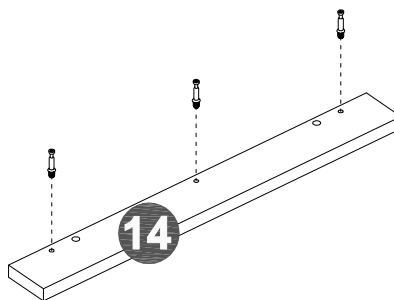
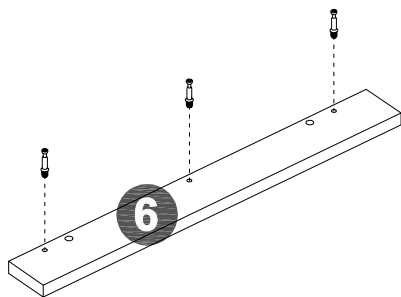
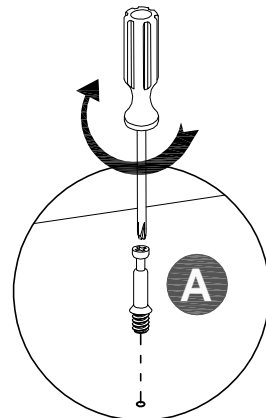
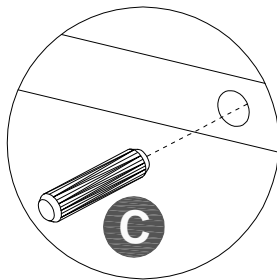
Name	Part	Qty.	Spare
A		24	1
B		24	1
C		25	1
E		12	
F	 2" Screw	8	
G	 3/4" nail	35	2
H	 9/16" Screw	4	1
I	 1/2" Screw	2	1
J	 9/16" Screw	20	1
K		2	
M		2	

Name	Part	Qty.	Spare
O		2	
P		2	
Q		2	
S	 7/8" Bolt	4	1
U1		1	
U2		1	
U3		2	
U4		1	
U5		1	

# STEP 1

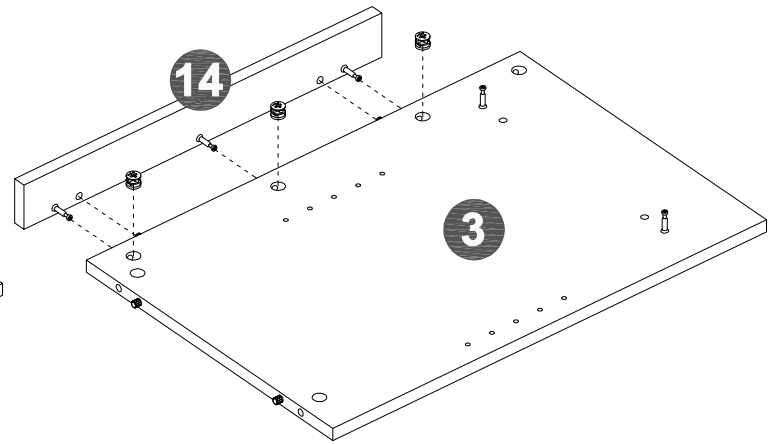
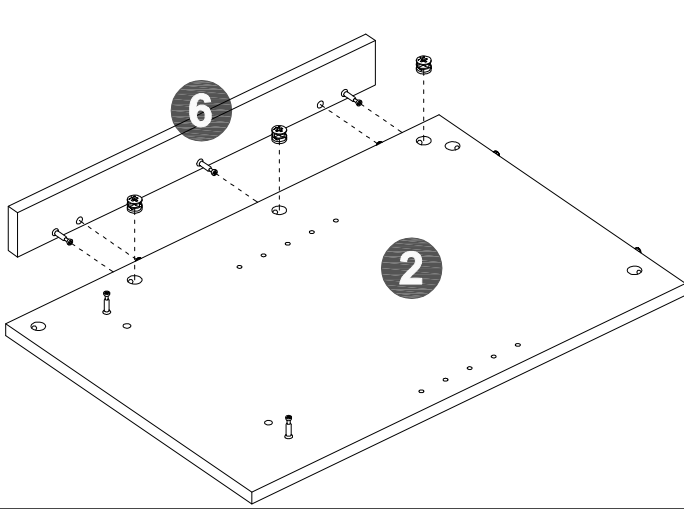
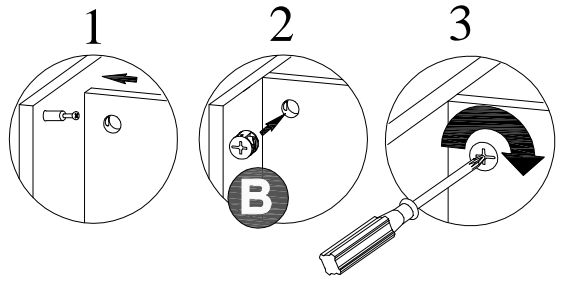
**A** x 10pcs 

**C** x 15pcs 



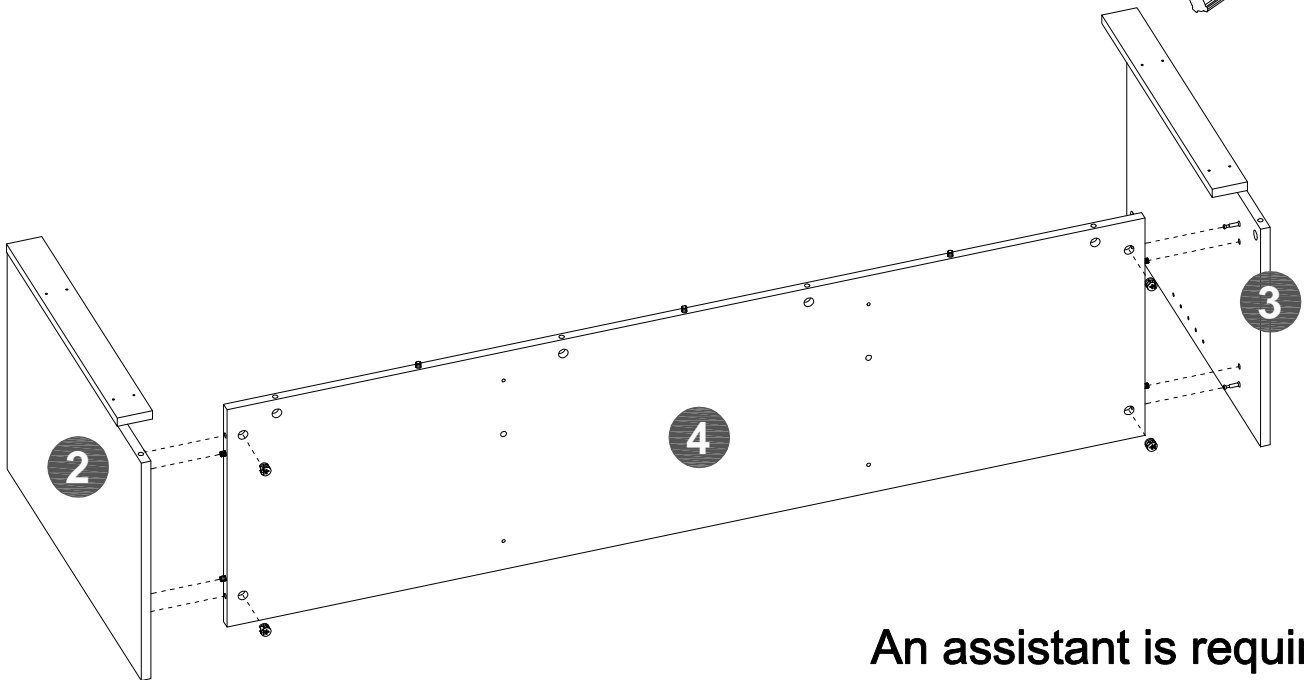
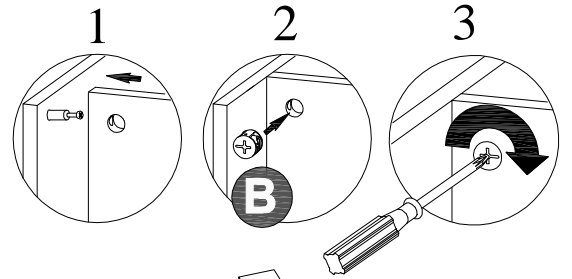
## STEP 2

**B** x 6pcs



## STEP 3

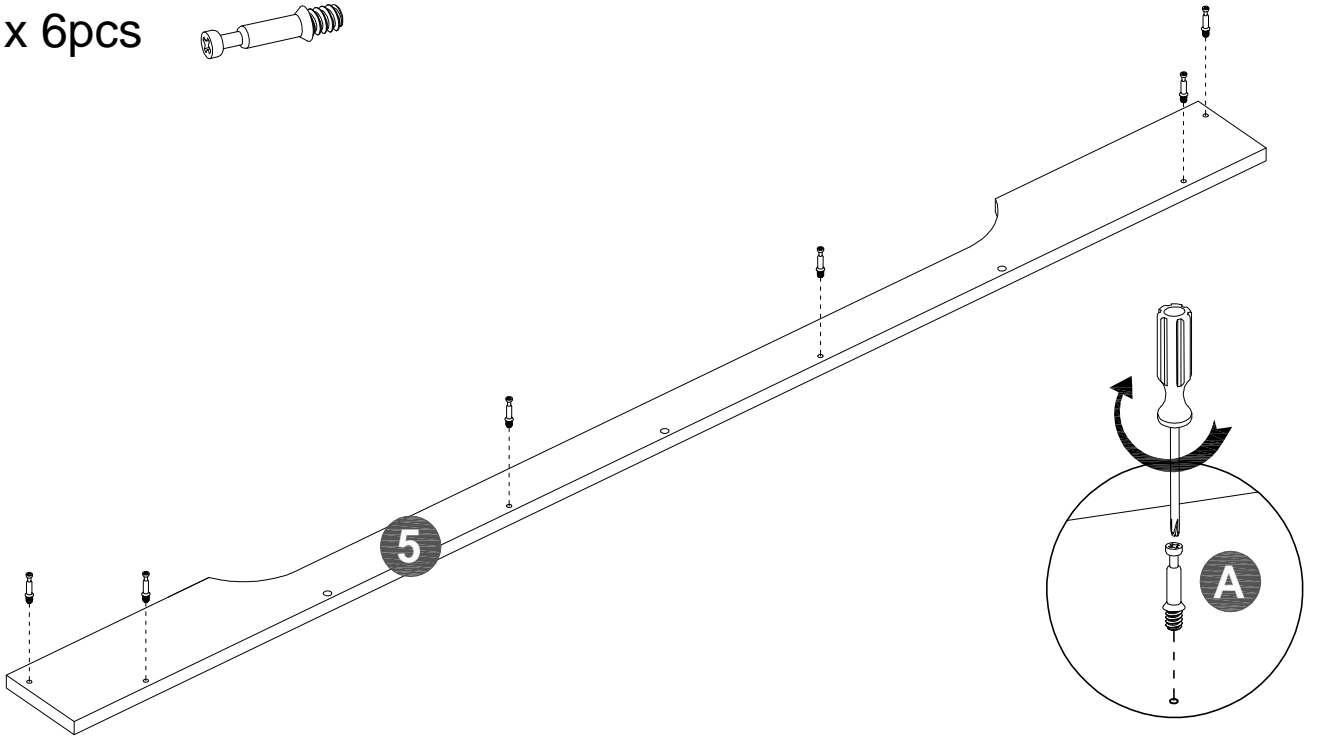
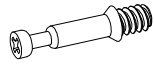
**B** x 4pcs



An assistant is required.

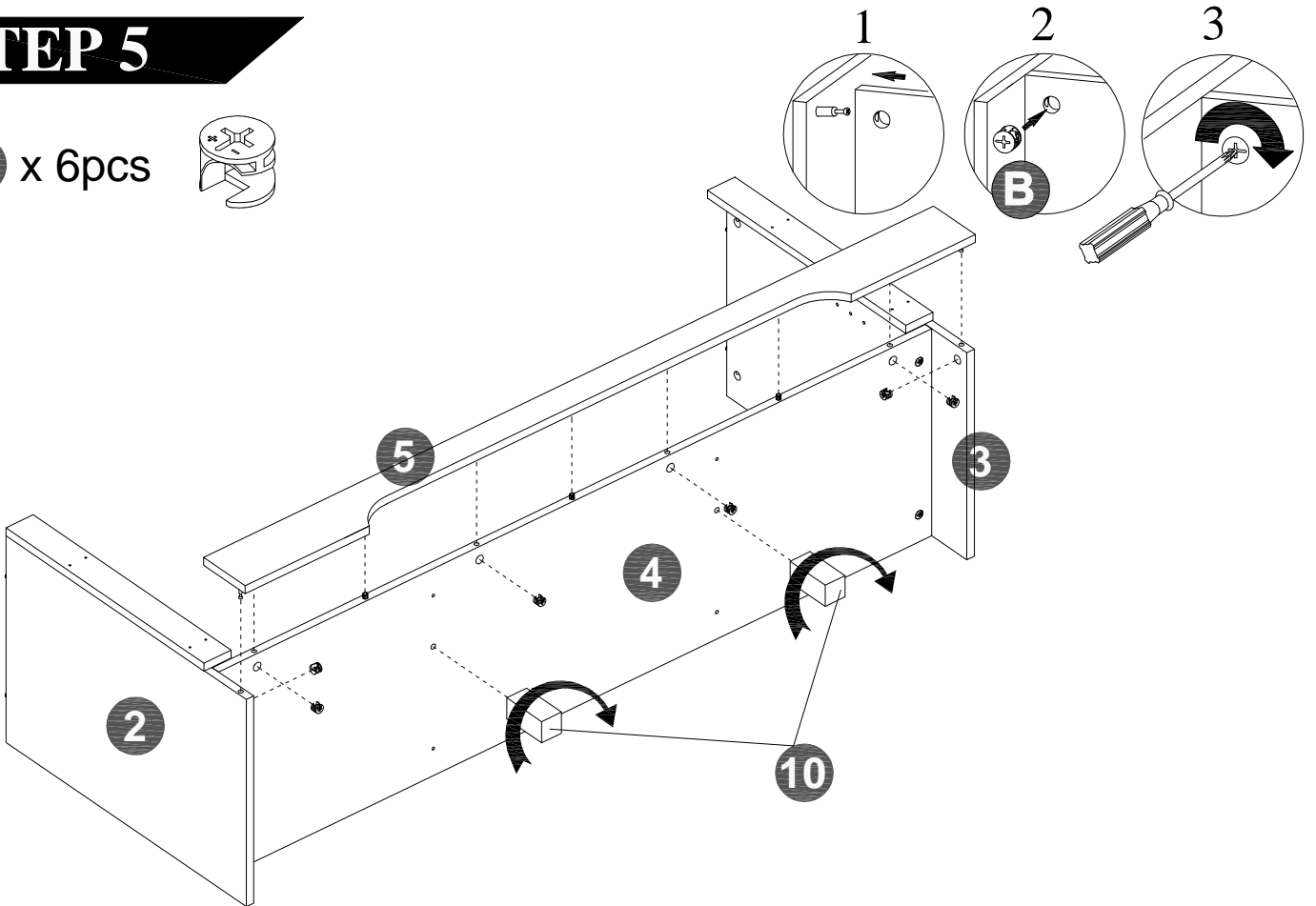
# STEP 4

**A** x 6pcs



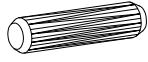
# STEP 5

**B** x 6pcs

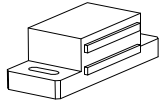


# STEP 6

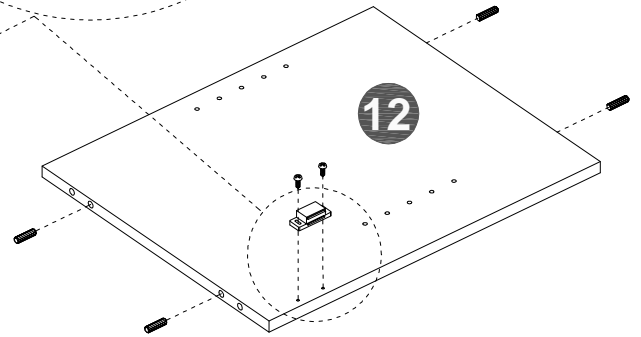
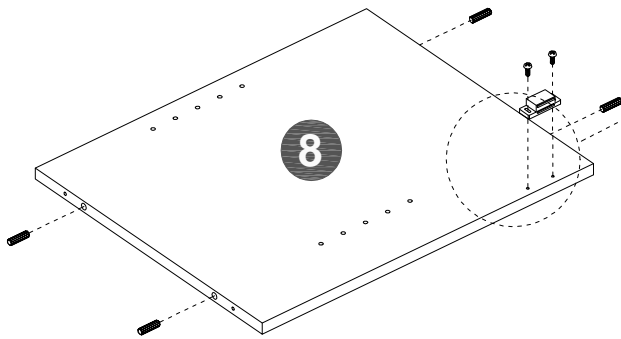
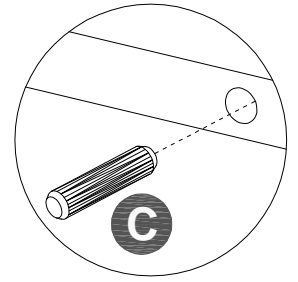
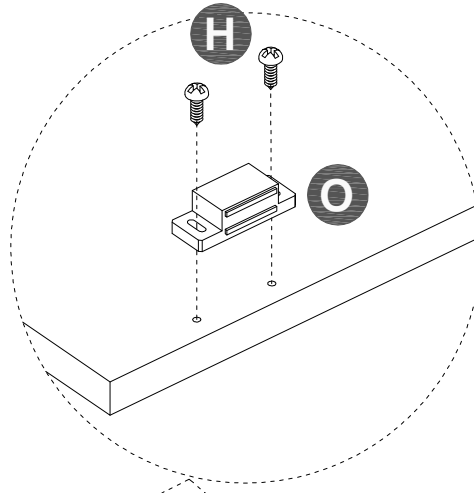
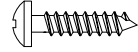
**C** x 8pcs



**O** x 2pcs

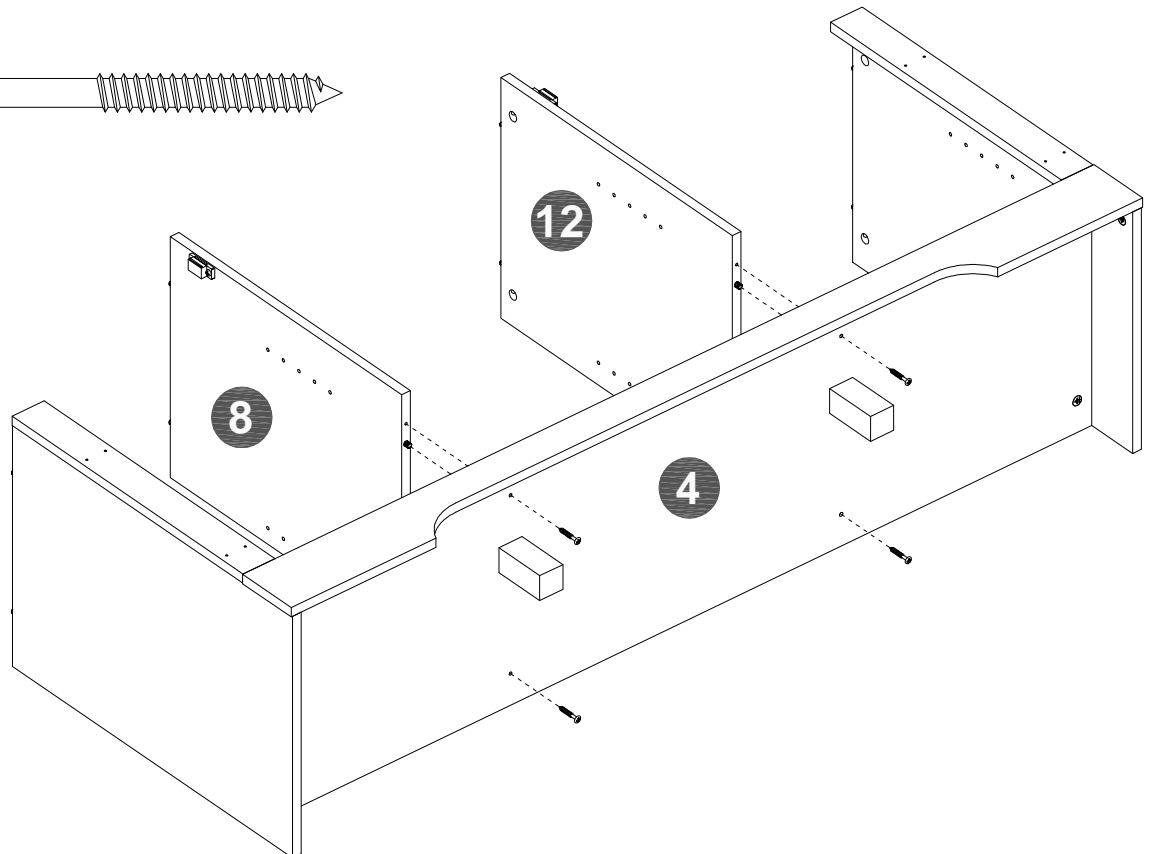
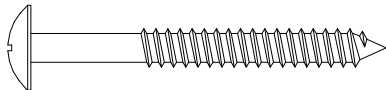


**H** x 4pcs



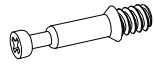
# STEP 7

**F** x 4pcs

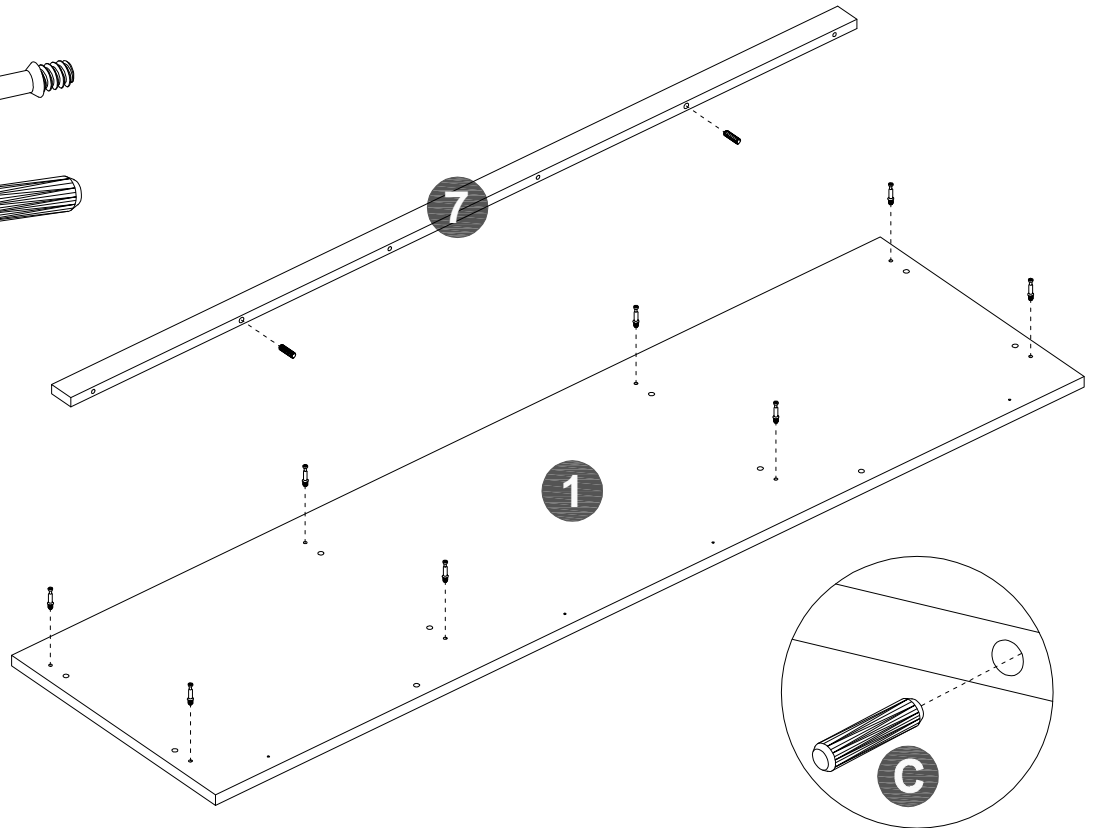
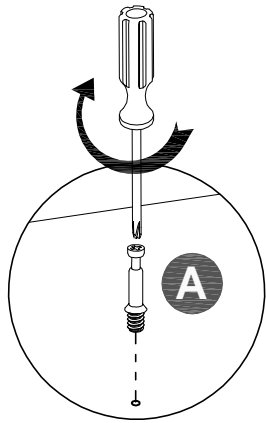


## STEP 8

**A** x 8pcs

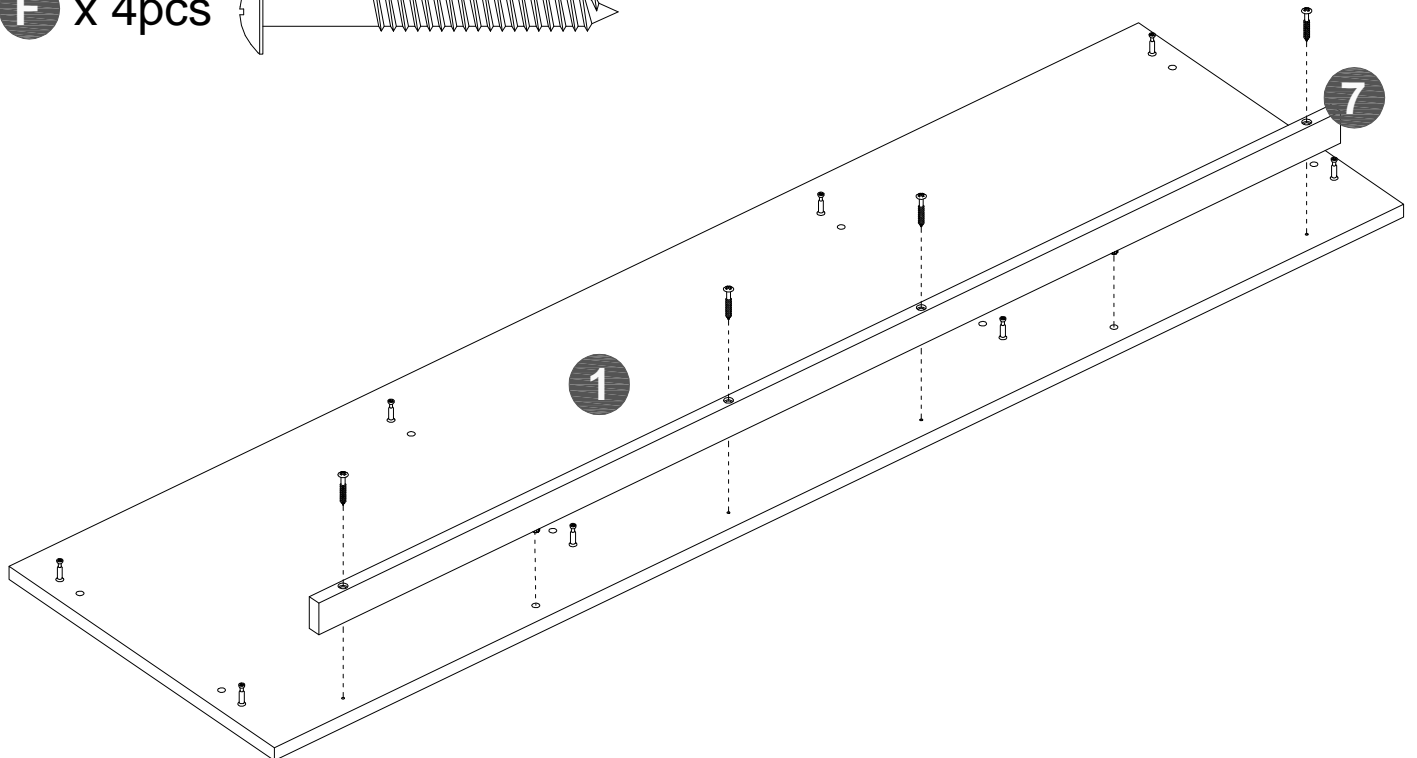
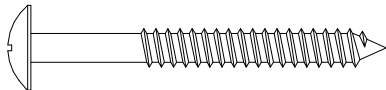


**C** x 2pcs



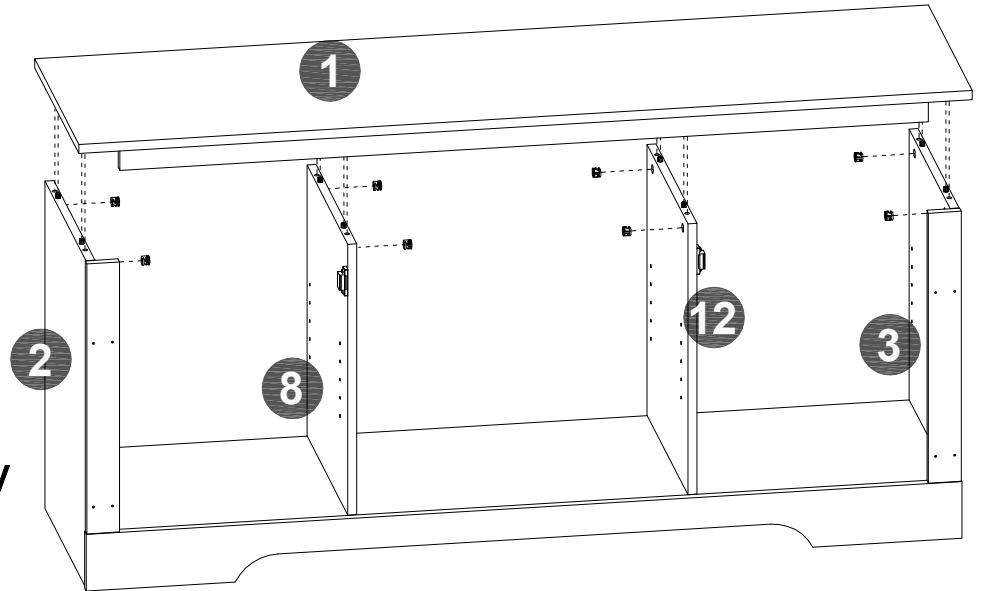
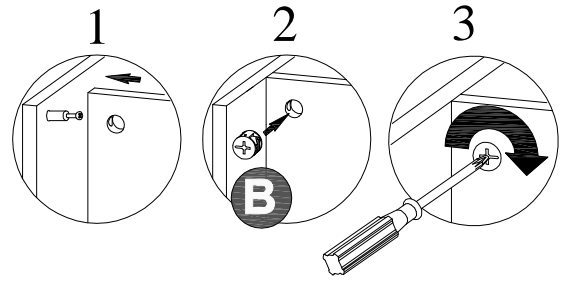
## STEP 9

**F** x 4pcs



# STEP 10

**B** x 8pcs

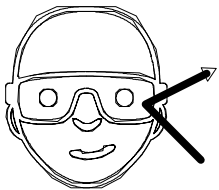


With assistant carefully stand unit up.

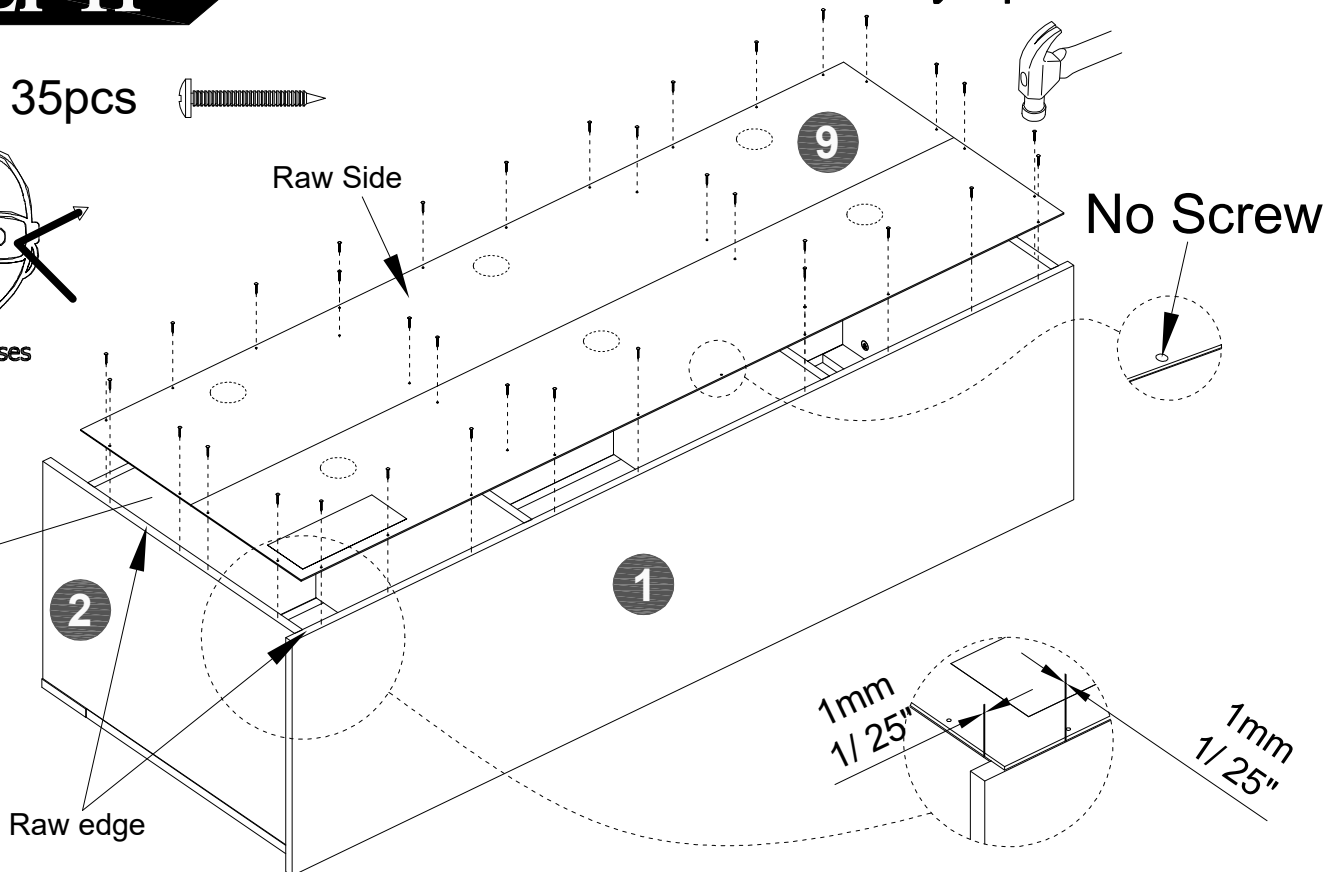
# STEP 11

With assistant carefully flip unit over.

**G** x 35pcs

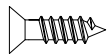


Safety glasses

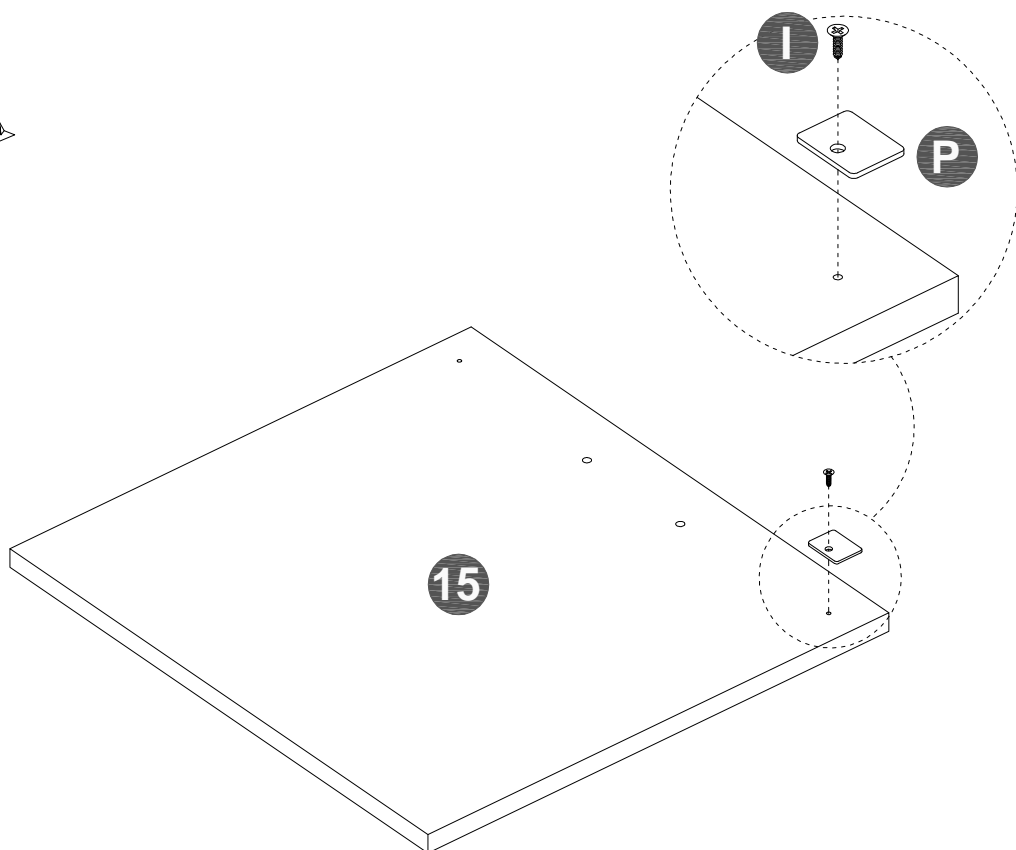
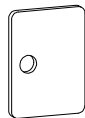


## STEP 12

**I** x 1pc

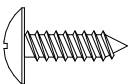


**P** x 1pc

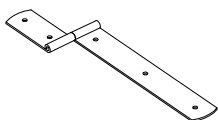


## STEP 13

**J** x 6pcs



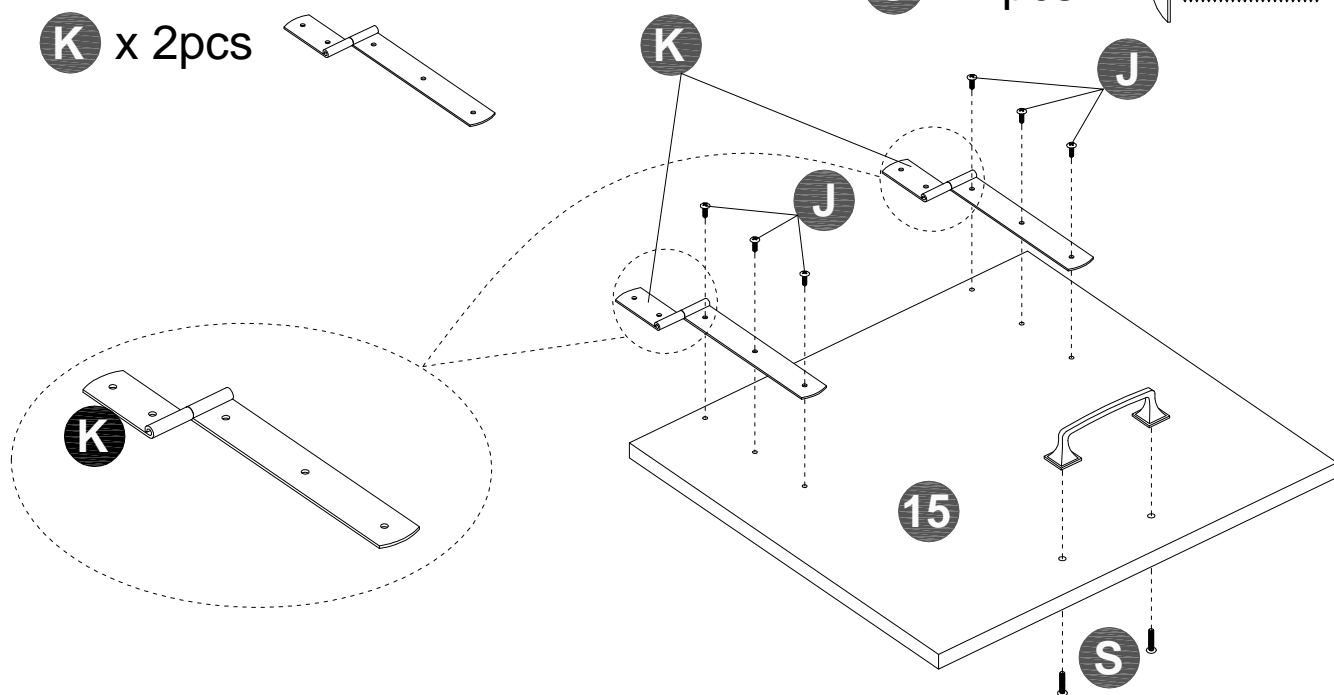
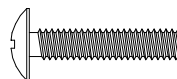
**K** x 2pcs



**Q** x 1pc

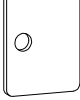


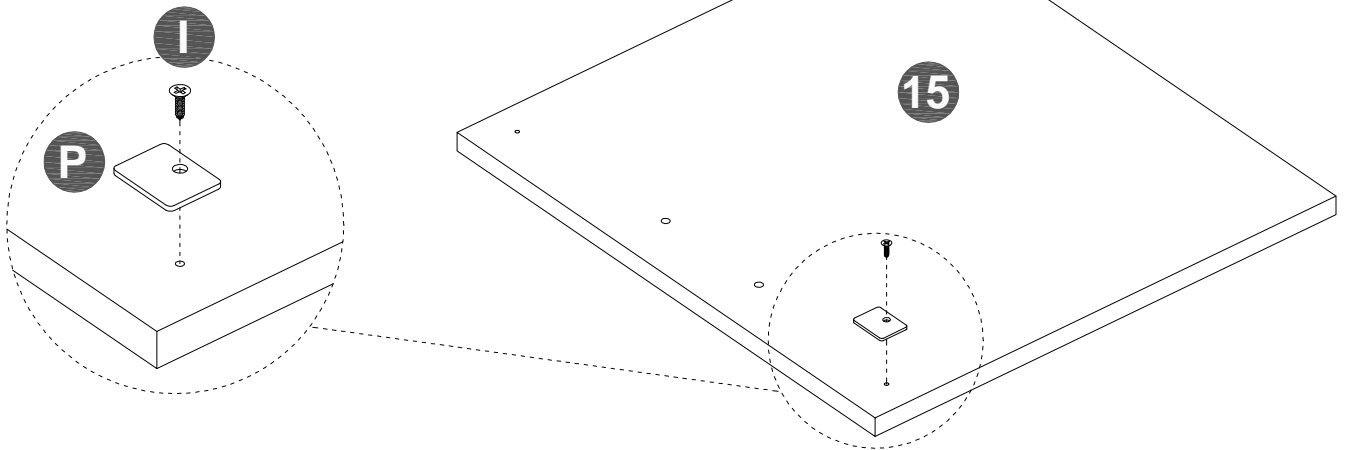
**S** x 2pcs



## STEP 14

**I** x 1pc 

**P** x 1pc 



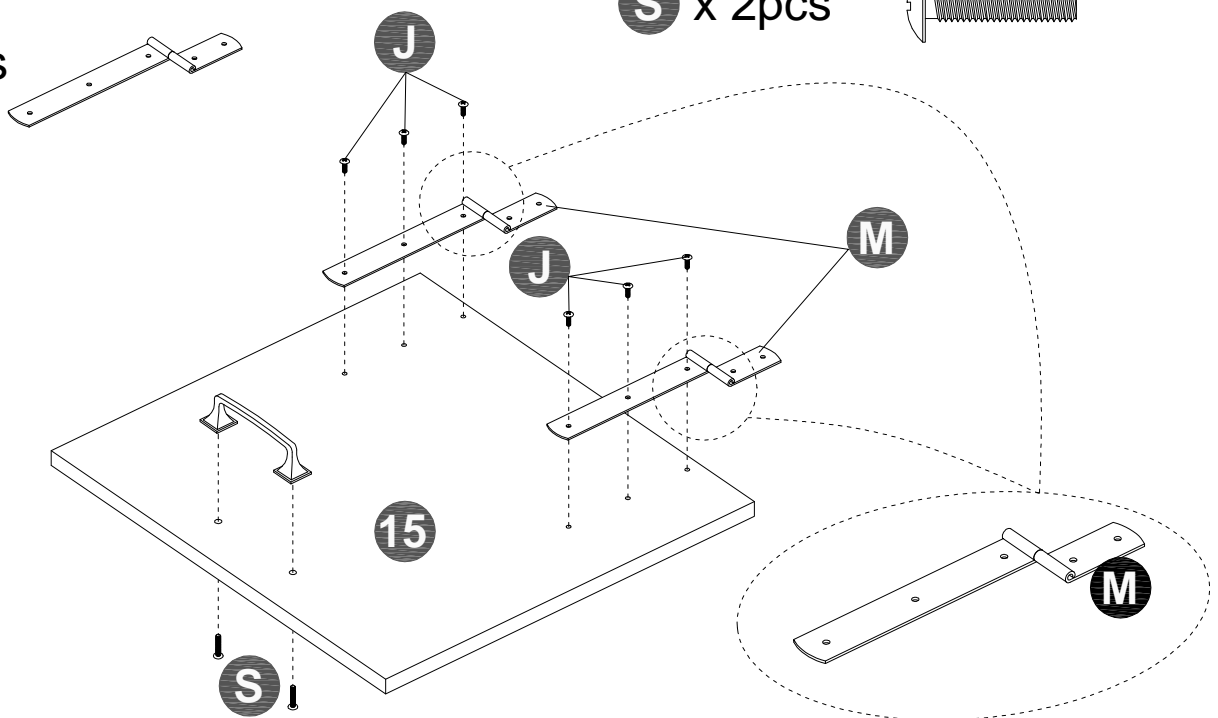
## STEP 15

**J** x 6pcs 

**M** x 2pcs 

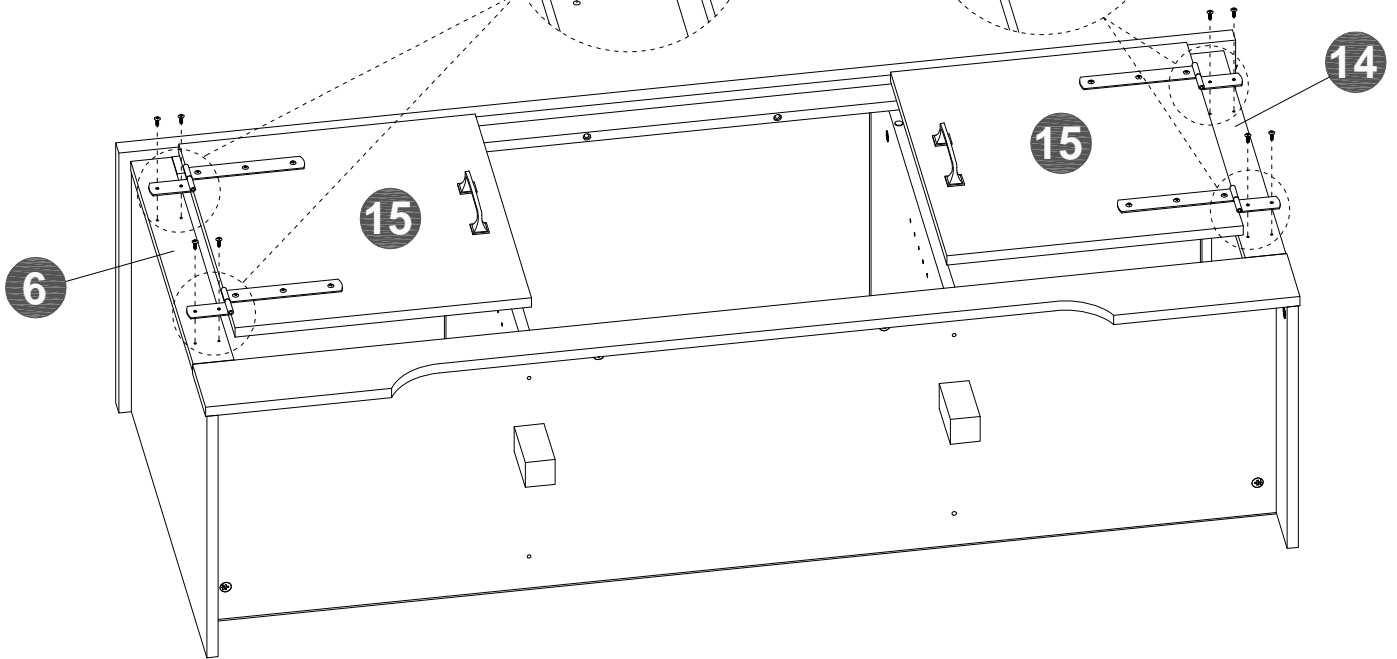
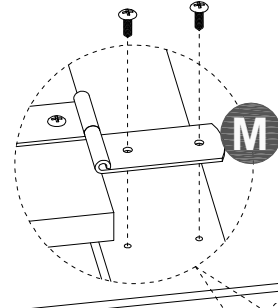
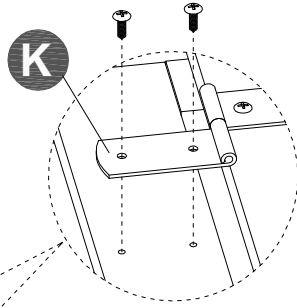
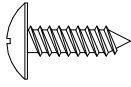
**Q** x 1pc 

**S** x 2pcs 



## STEP 16

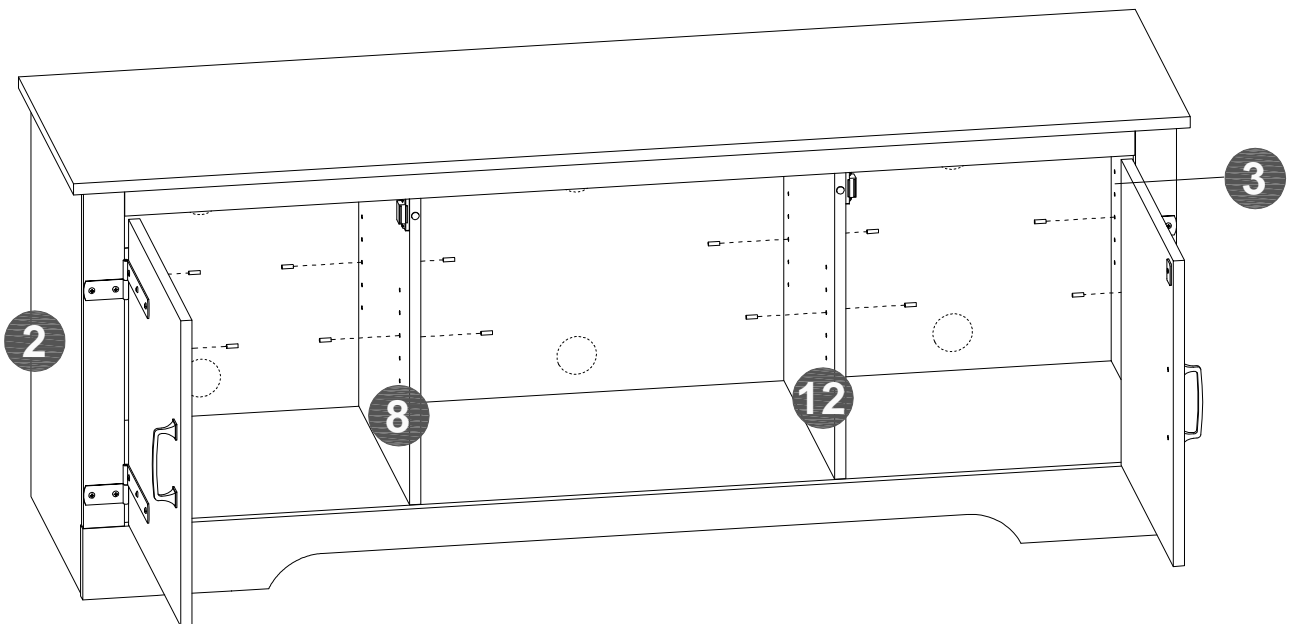
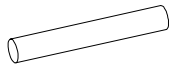
**J** x 8pcs



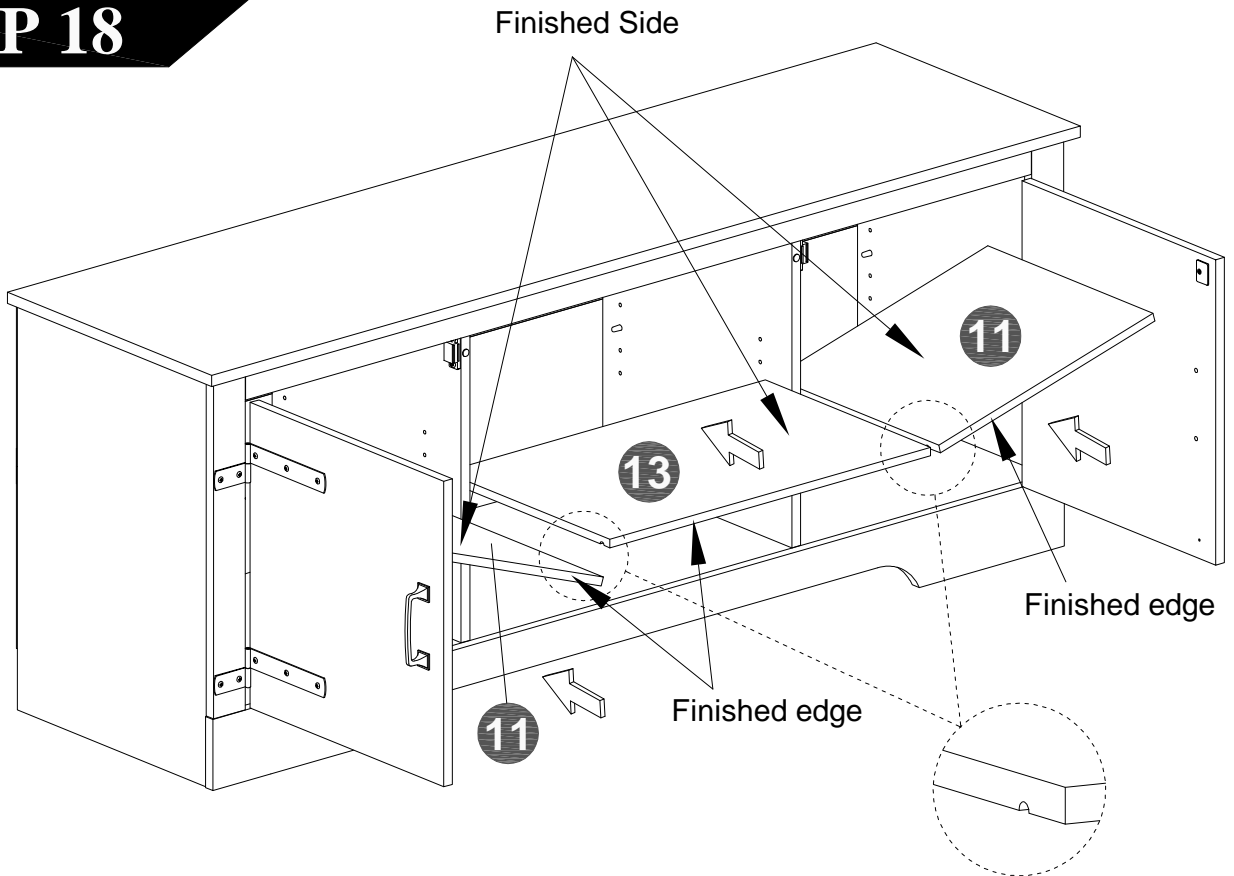
## STEP 17

With assistant carefully stand unit up.

**E** x 12pcs

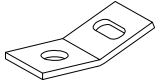


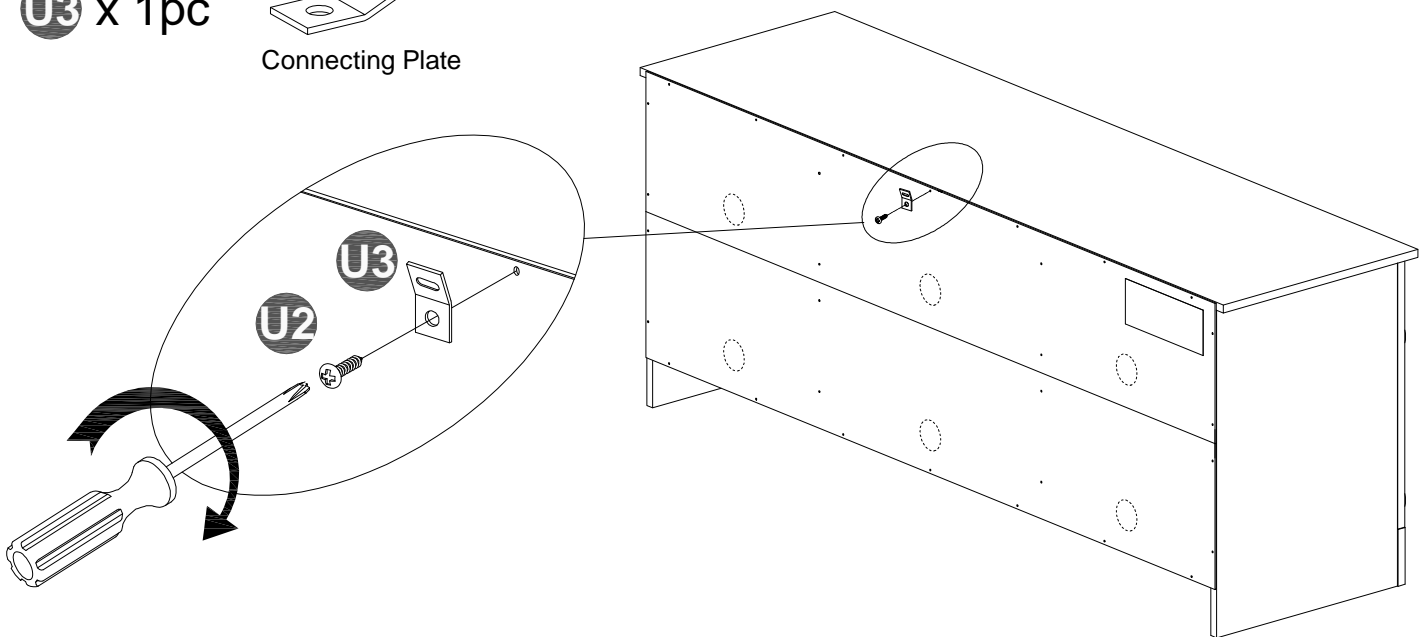
# STEP 18



# STEP 19

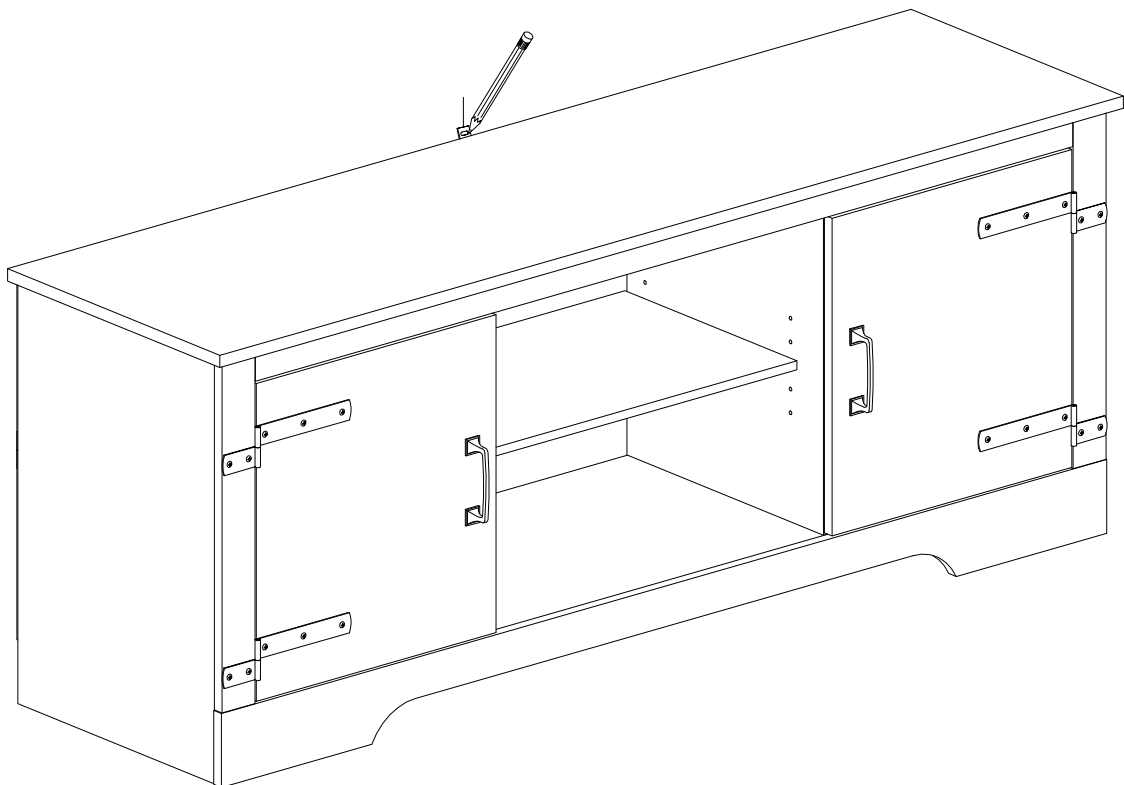
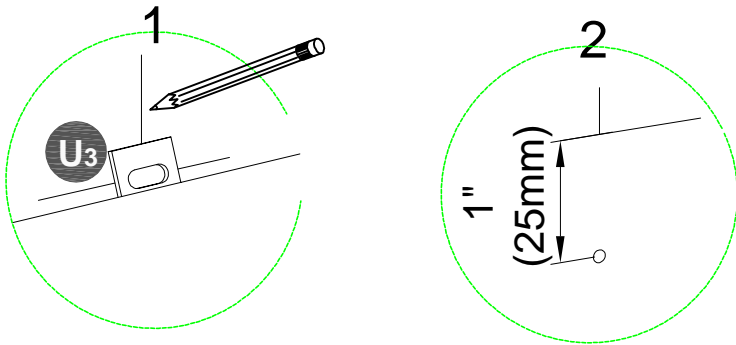
U2 x 1pc 

U3 x 1pc   
Connecting Plate



## STEP 20

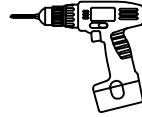
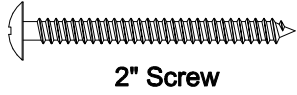
1. Place unit in desired location.
2. Locate wall stud nearest unit center.
3. On wall, mark center of stud location 1" below top of unit.
4. If a wall stud cannot be located mark hollow wall at unit center.



# STEP 21

## WALL STUD ATTACHMENT

U<sub>1</sub> x1pcs



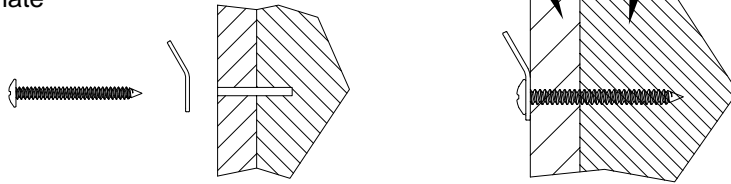
Drill 1/8" hole 2" deep at mark on wall.

U<sub>3</sub> x1pcs



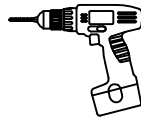
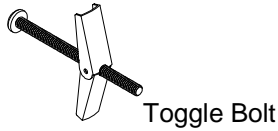
Drywall  
Paneles de yeso  
cloisons sèches

Wood stud  
Montante de madera  
Stud bois



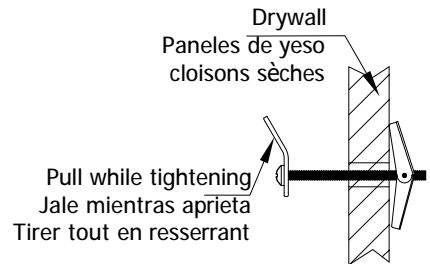
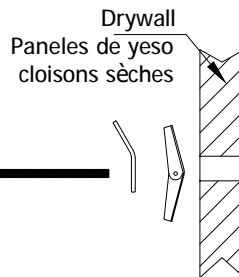
## HOLLOW WALL ATTACHMENT

U<sub>4</sub> x1pcs



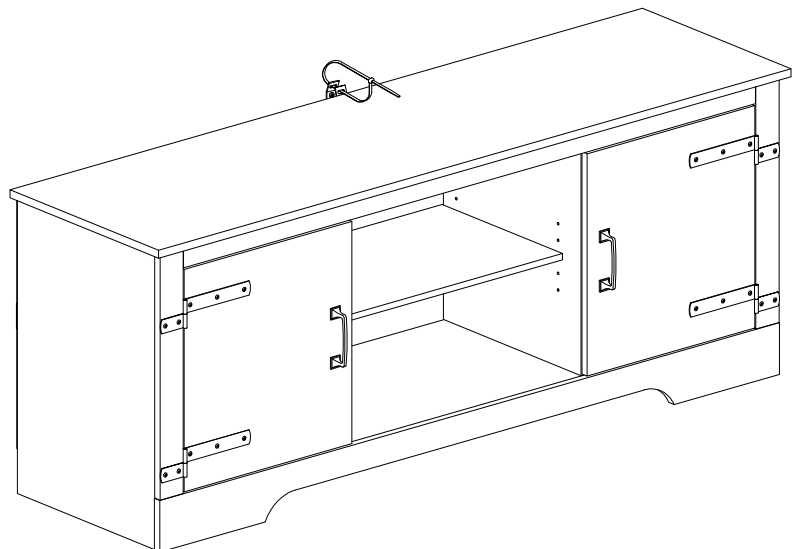
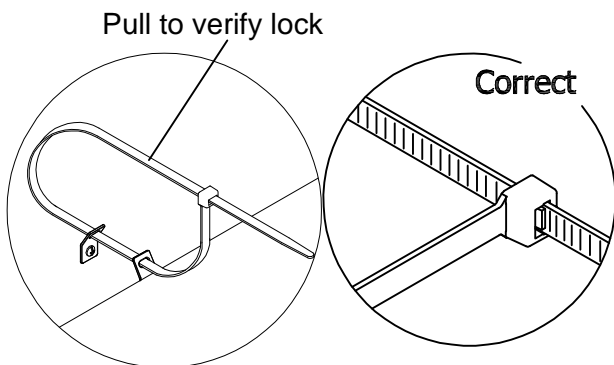
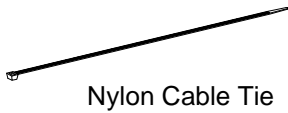
Drill 1/2" hole 1" deep at mark on wall.

U<sub>3</sub> x1pcs



# STEP 22

U<sub>5</sub> x 1pc



## What is Proposition 65?

Proposition 65 is a California law that requires warning labels on products that may contain one of more than 800-plus chemicals or ingredients that the California Office of Environmental Health Hazard Assessment (OEHHA) has deemed to cause cancer or other reproductive toxicity. Chemicals and elements on this list include wood dust, brass, and other everyday substances, which can be found in very common household items, such as: lamps, tableware, jewelry, crystal glasses, electric cords, beauty products, automobiles, and furniture.

## Why Did I Find a Proposition 65 Warning on My Home Goods Product?

We include Proposition 65 warnings on all of our products because there is always a chance that one of the 800-plus common chemicals and ingredients listed under this law could potentially be on our furniture or packing materials. We risk large fines under this law, if we don't include this warning.

## Should I worry?

We realize you may be worried finding this warning on our products, but we want to reassure you that the hazardous exposure limits for any of these chemicals have never been found on furniture products that we've shipped to our customers. Additionally, this warning label is very common and can be found on almost every piece of furniture sold in the state of California.

## Just How Common Are Proposition 65 Warnings?

Proposition 65 warnings have become so common in California that it is hard to take a trip to local bank, grocery store, or restaurant without finding at least one warning. In fact, even the Disney Land Resort has a Proposition 65 warning:

