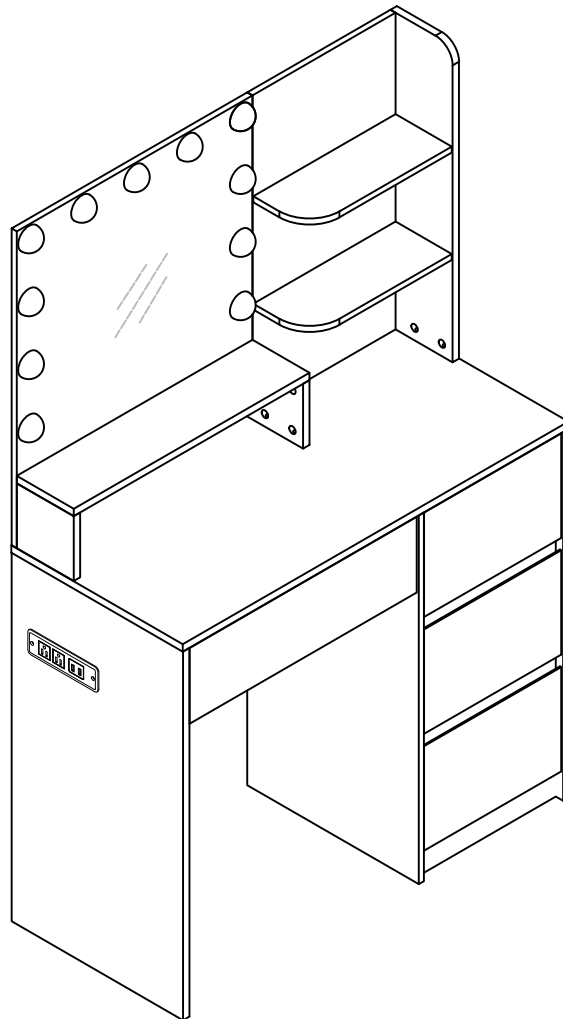


Vanity Table

Assembly Instructions

D01001W-NC / D01001B-NG



Dimensions

Width - 90CM

Depth - 40CM

Height - 140CM

Important – Please read these instructions fully before starting assembly



Safety and Care Advice

Important – Please read these instructions fully before starting assembly

- Check you have all the components and tools listed on the following pages.
- Remove all fittings from the plastic bags and separate them into their groups.
- Keep children and animals away from the work area, small parts could choke if swallowed.
- Make sure you have enough space to layout the parts before starting.

- During assembly do not stand or put weight on the product, this could cause damage.
- Assemble the item as close to its final position (in the same room) as possible.
- Assemble on a soft level surface to avoid damaging the unit or your floor.
- Parts of the assembly will be easier with 2 people.



- To reduce the likelihood of damaging your product please ensure that your power drill is set on a low torque setting.

Care and maintenance

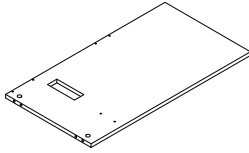
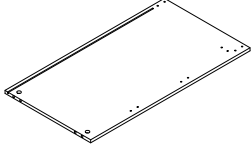
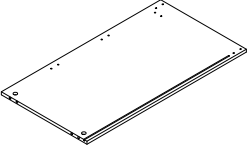

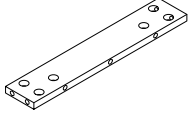
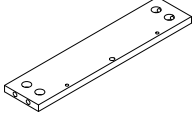

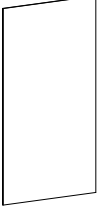
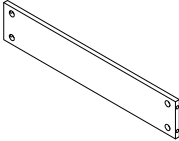
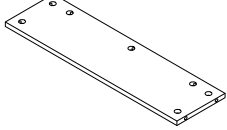
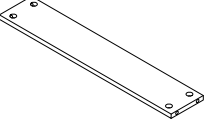
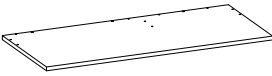
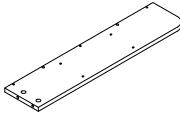
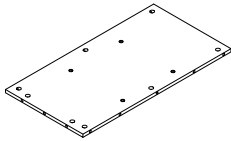
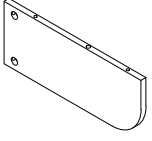

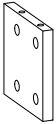
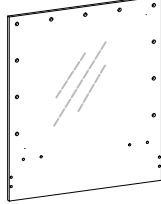
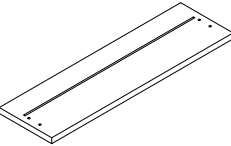
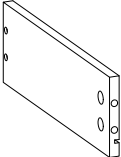
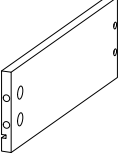


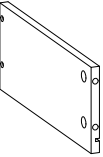
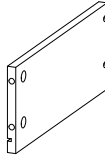

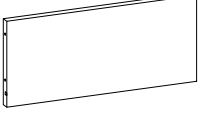
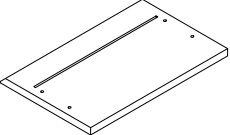
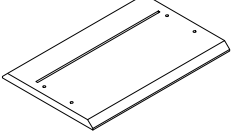
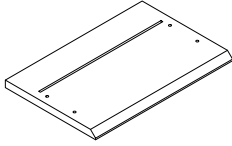
- Only clean using a damp cloth and mild detergent, do not use bleach or abrasive cleaners.
- From time to time check that there are no loose screws on this unit.
- This product should not be discarded with household waste. Take to your local authority waste disposal centre.

Handy Hints

- Assemble all parts and bolts loosely during assembly, only once the product is complete should you fully tighten the bolts
- Regularly check and ensure That all bolts and fittings are tightend properly.

Components - Panels



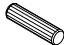
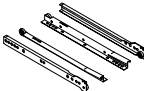



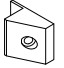






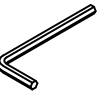
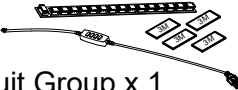

Please check you have all the panels listed below

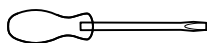
 <p>1 PC</p>	 <p>1 PC</p>	 <p>1 PC</p>	 <p>2 PCS</p>	 <p>1 PC</p>
 <p>1 PC</p>	 <p>1 PC</p>	 <p>1 PC</p>	 <p>1 PC</p>	 <p>1 PC</p>
 <p>1 PC</p>	 <p>1 PC</p>	 <p>1 PC</p>	 <p>1 PC</p>	 <p>2 PCS</p>
 <p>1 PC</p>	 <p>2 PCS</p>	 <p>1 PC</p>	 <p>1 PC</p>	 <p>1 PC</p>
 <p>1 PC</p>	 <p>1 PC</p>	 <p>1 PC</p>	 <p>3 PCS</p>	 <p>3 PCS</p>
 <p>3 PCS</p>	 <p>3 PCS</p>	 <p>1 PC</p>	 <p>1 PC</p>	 <p>1 PC</p>

Components - Fittings

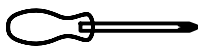
Please check you have all the panels listed below

Note: The quantities below are the correct amount to complete the assembly. In some cases more fittings may be supplied than are required.

A  Male Camlock x 83	B  Female Camlock x 83	C  Dowel x 20
D  Drawer slider 12" X 4	E  3*12mm Screw x 34	F  4*30mm Screw x 16
G  3*17mm Screw x 4	H  Plasticwedge x 4	I  Protective Feet x 8
J  Wire Holder x 2	K  6.8*48mm Screw x 10	L  Ø20 Sticker x 30
M  Socket x1	N  Wall Fixing Pack x 2	 M4 x 1
P  Circuit Group x 1	Q  Hollywood lights x 11	



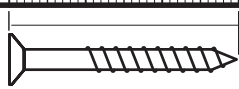
Tools required



Phillips screwdriver
(medium & large)

Ruler - Use this ruler to help correctly identify the screws

0 5 10 15 20 25 30 35 40 45 50 55 60 65 70 75 80 85 90 95 100 105 110 115 120 125 130 135 140 145 150 155 160 165 170



The screws length is measured from the head to the point (35mm screw shown).

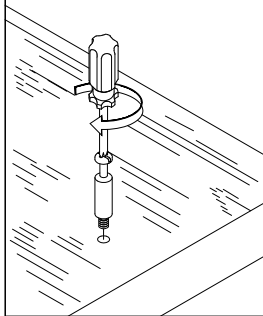
Using Camlocks

Step 1

Connect the male camlock as directed in the assembly instructions using a screwdriver.

1

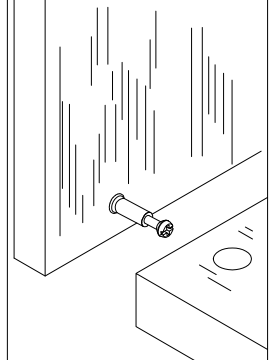
DO NOT OVER TIGHTEN.
NE PAS SERRER EXCESSIVEMENT.



Step 2

Push the male camlock into the entry hole.

2

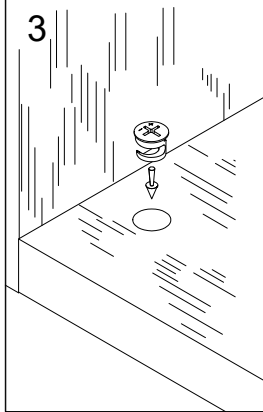


Step 3

Insert the female camlock as shown in the instruction.

Note: ensure that the arrow on the top of the camlock points towards the entry hole for the male camlock.

3



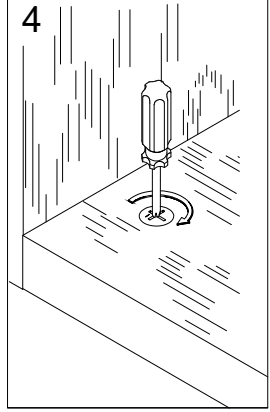
Step 4

Turn the female camlock clockwise with a screwdriver.

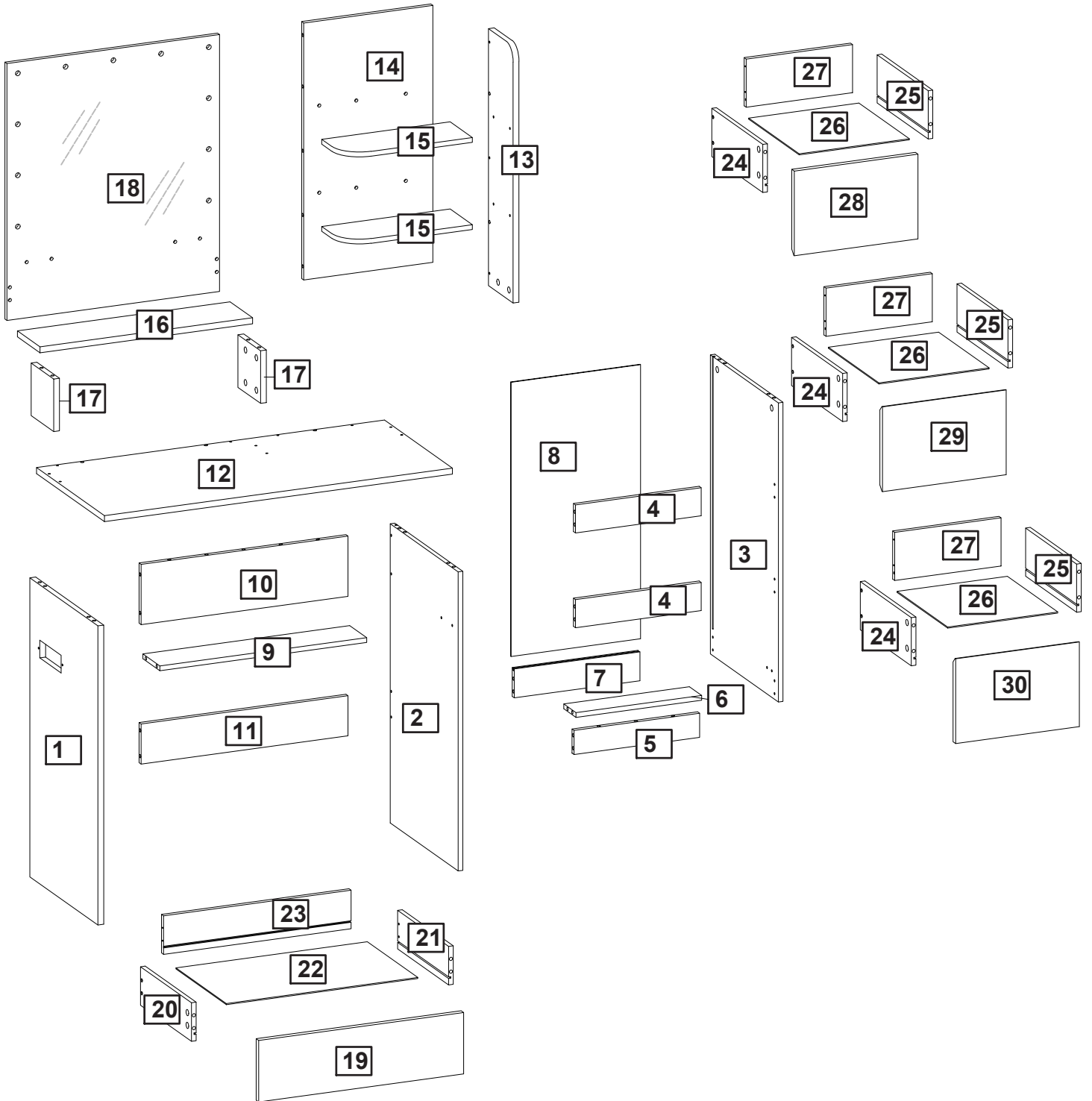
You should feel a click when the camlock is locked in place.

The joint is now secure.

4

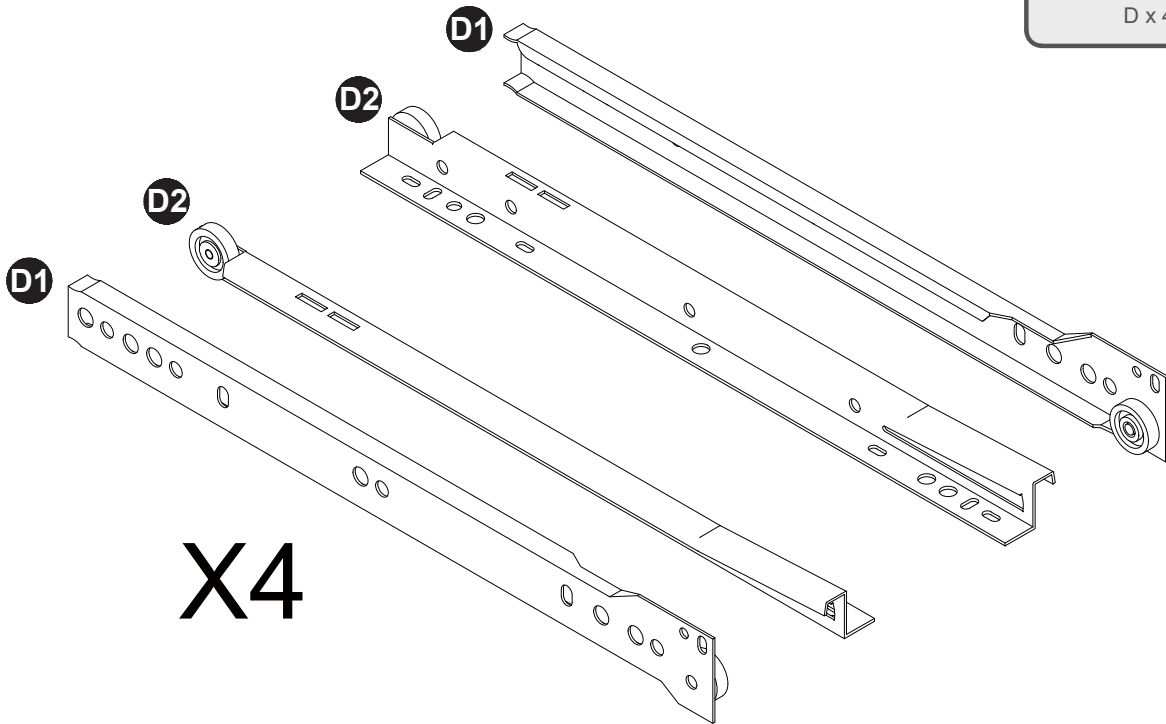
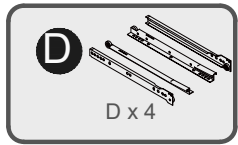


Assembly Instructions

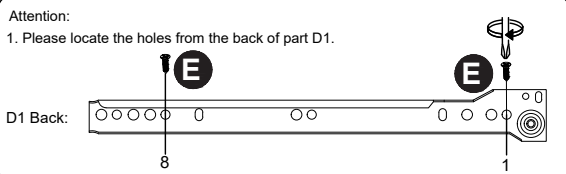
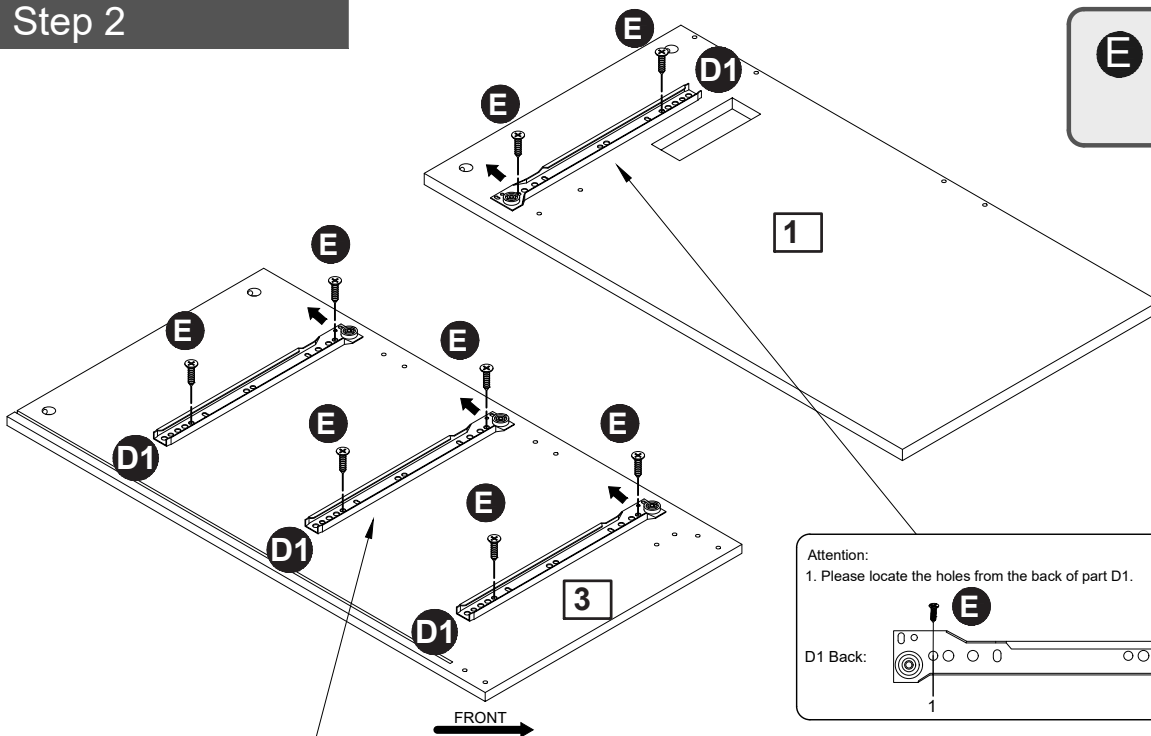


Assembly Instructions

Step 1

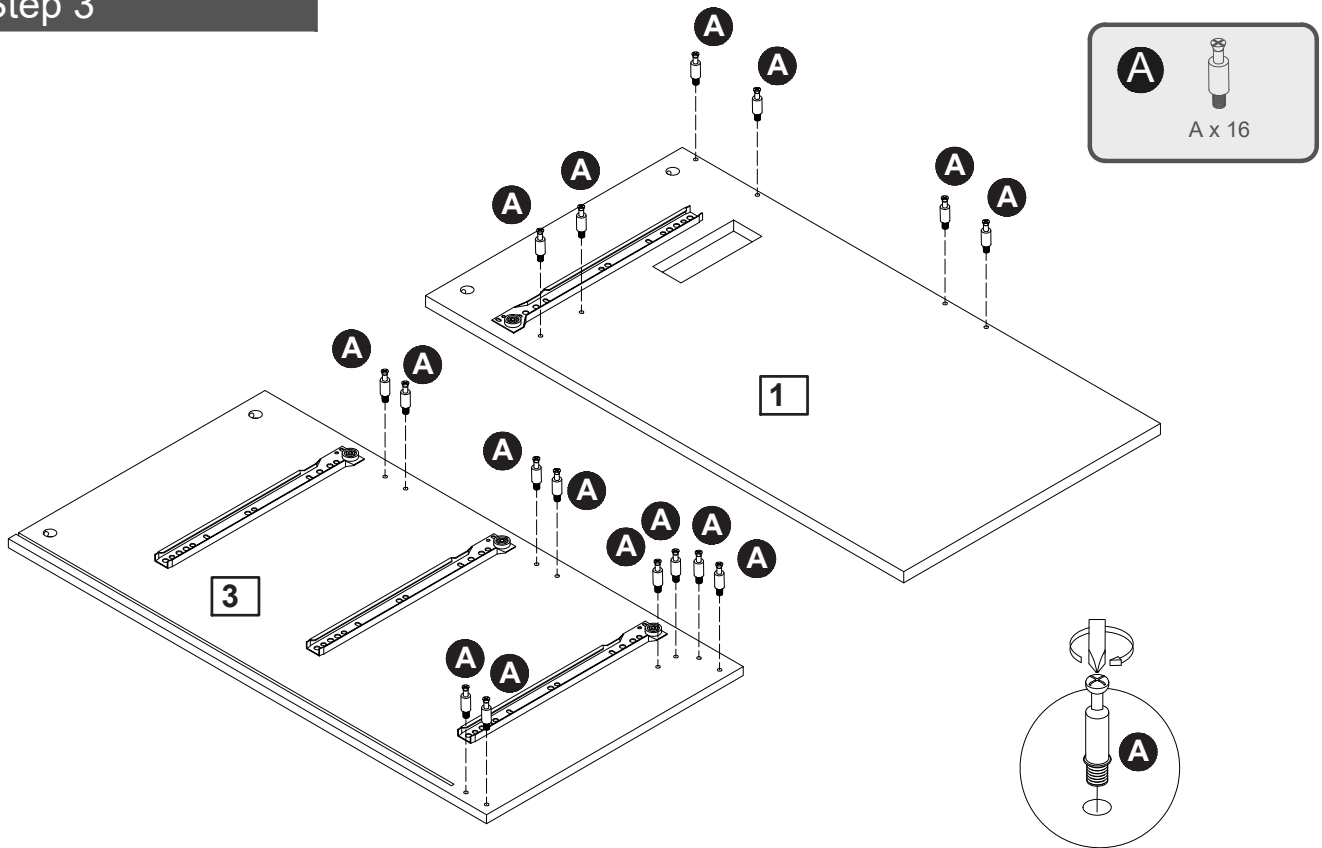


Step 2

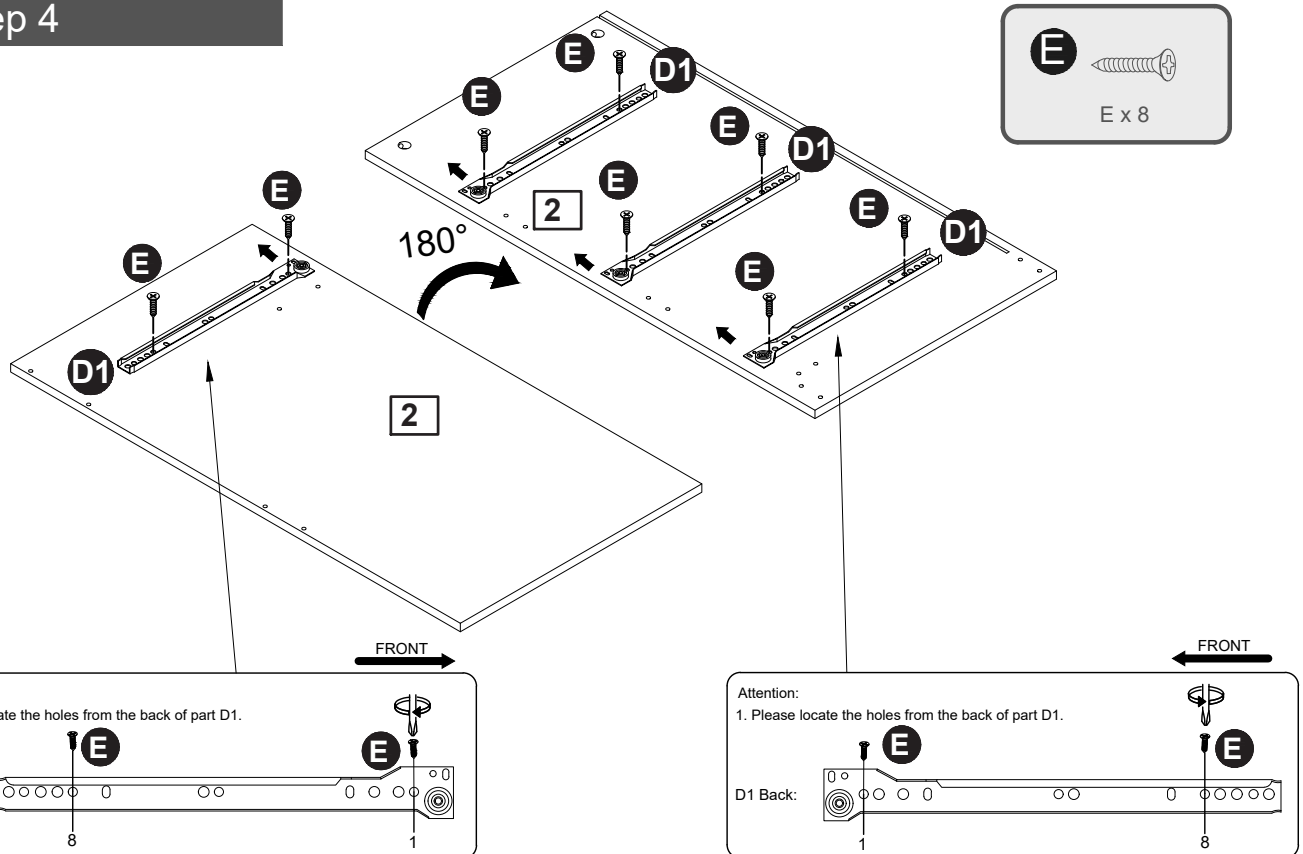


Assembly Instructions

Step 3

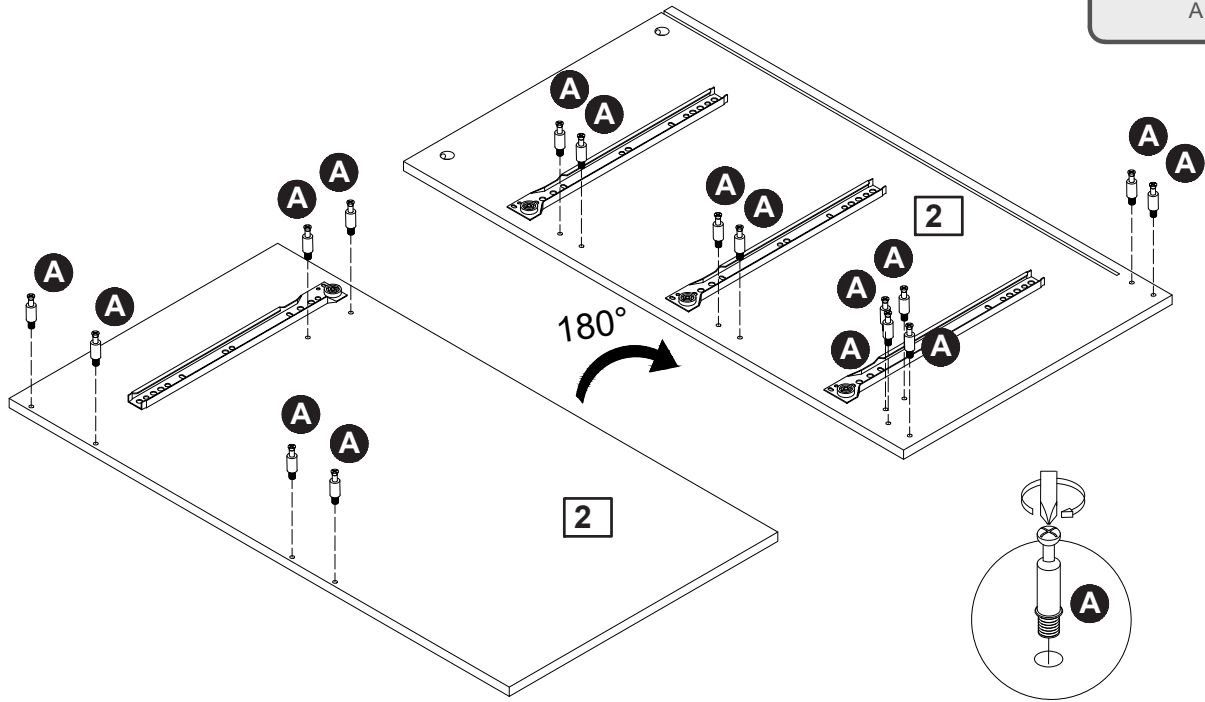


Step 4

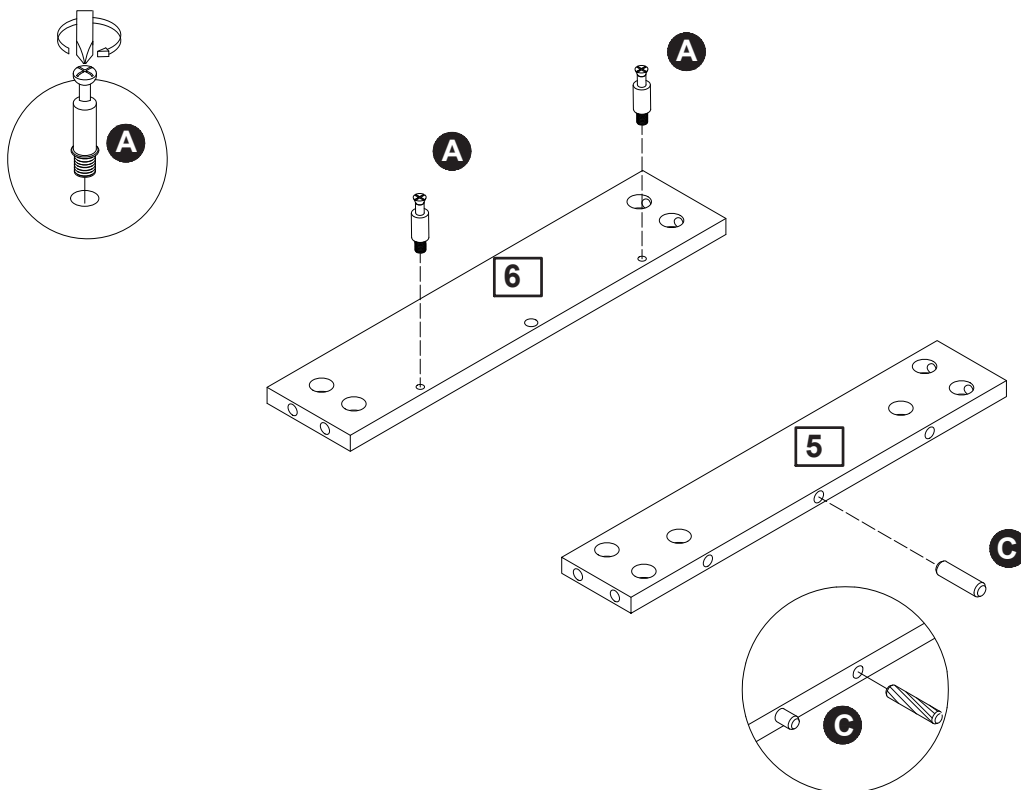


Assembly Instructions

Step 5

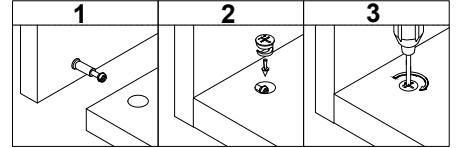
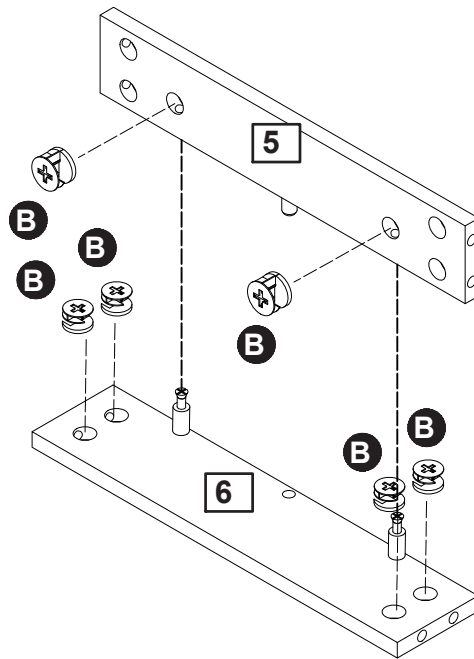
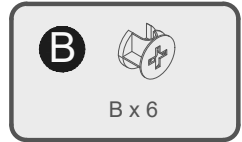


Step 6

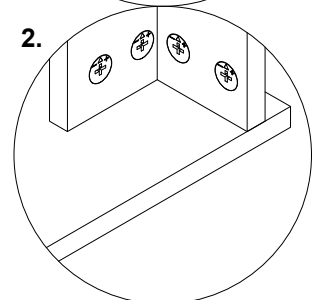
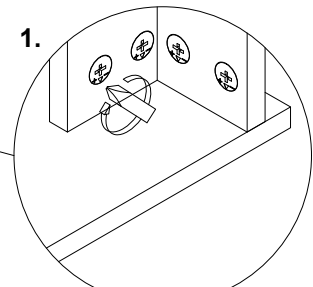
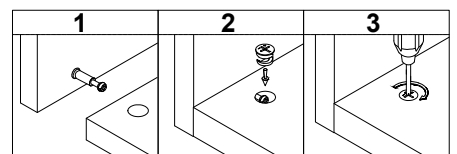
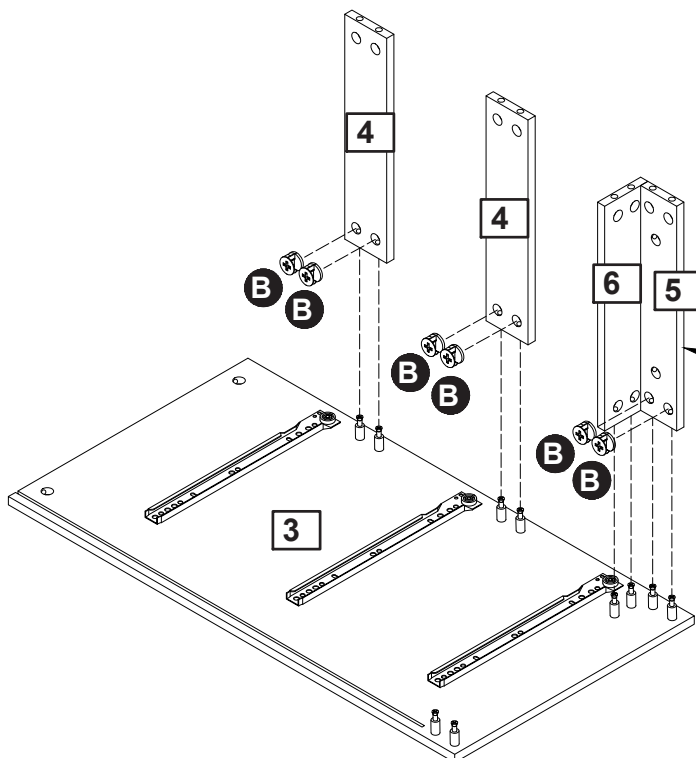
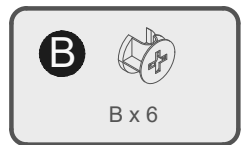


Assembly Instructions

Step 7

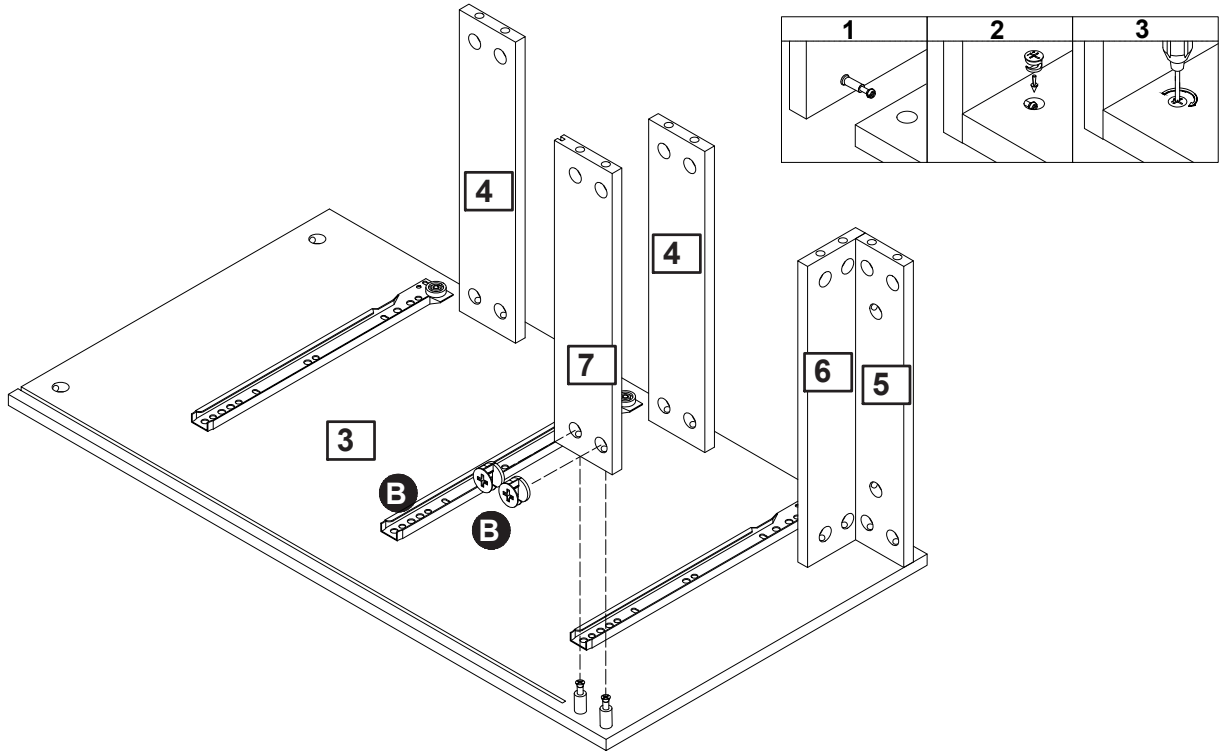
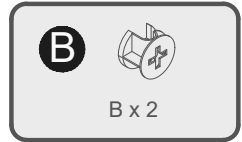


Step 8

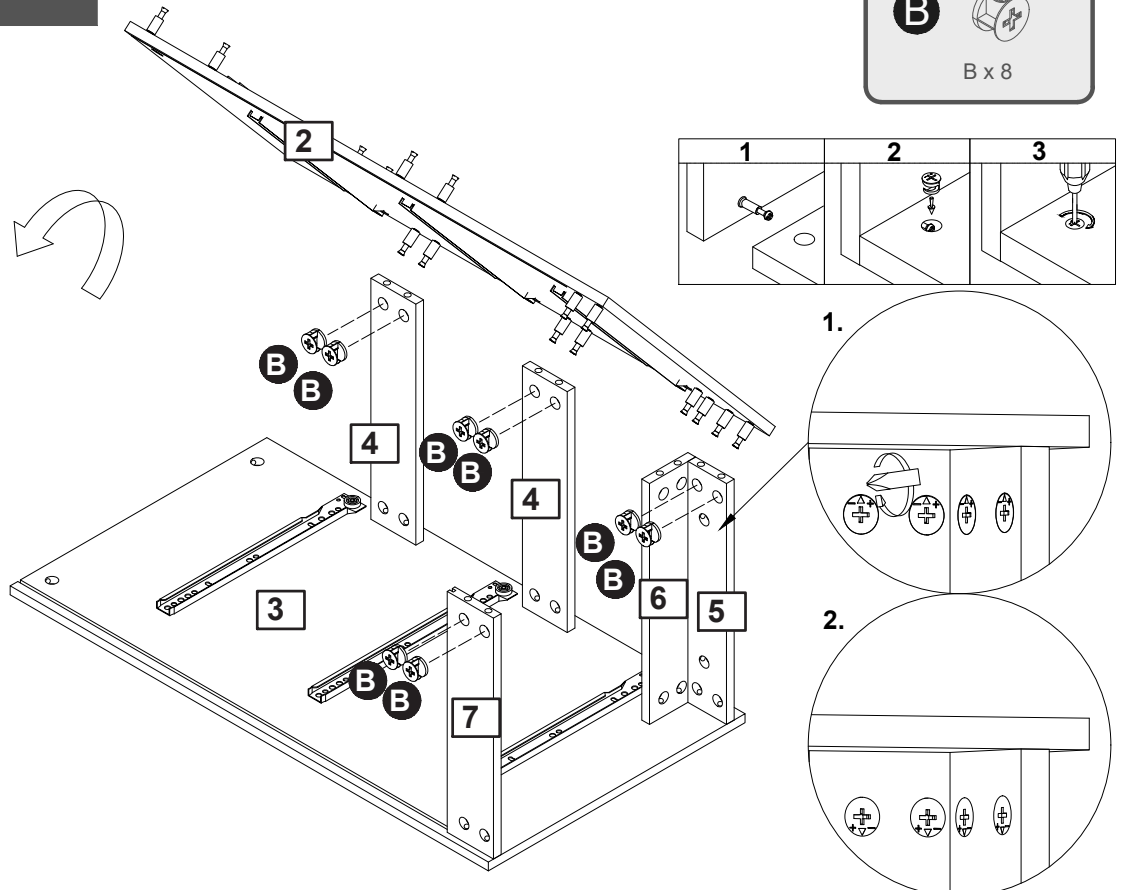
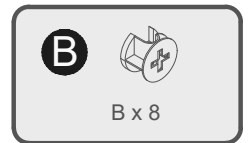


Assembly Instructions

Step 9

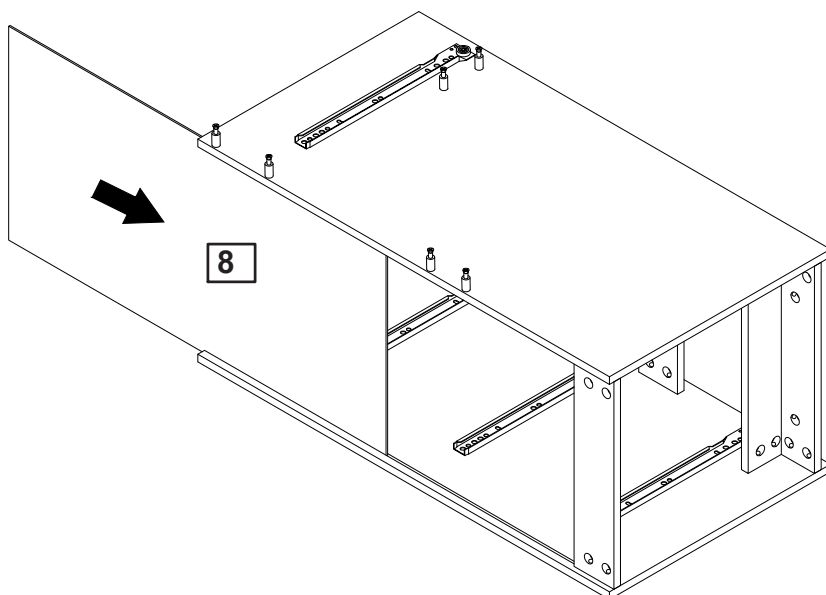


Step 10

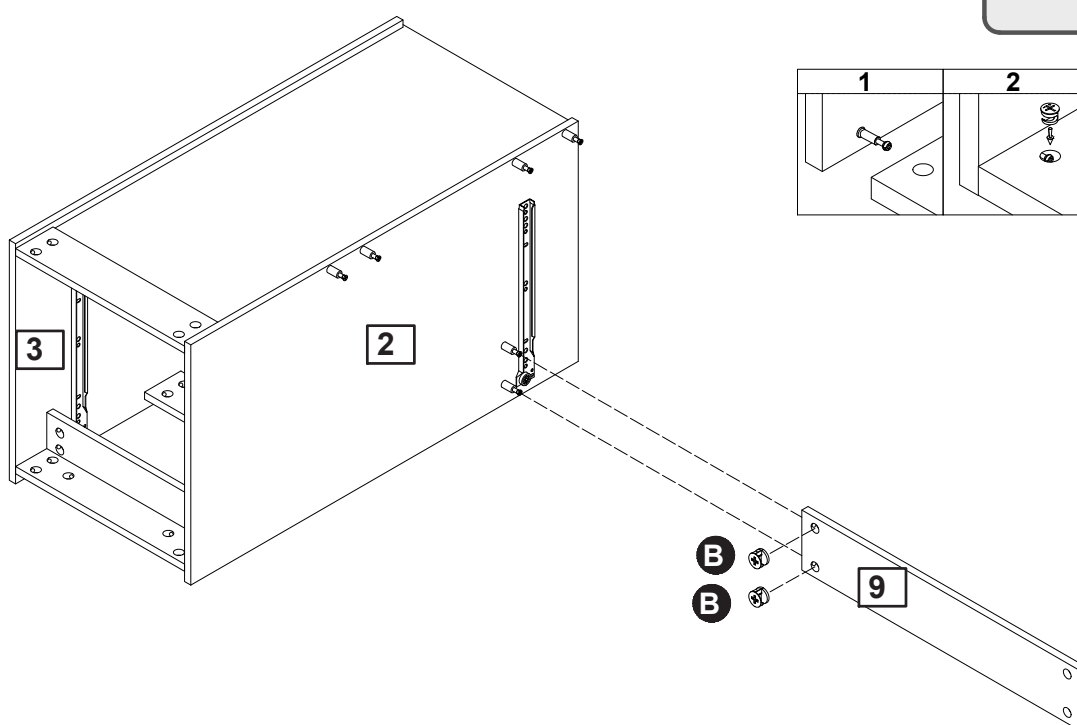


Assembly Instructions

Step 11

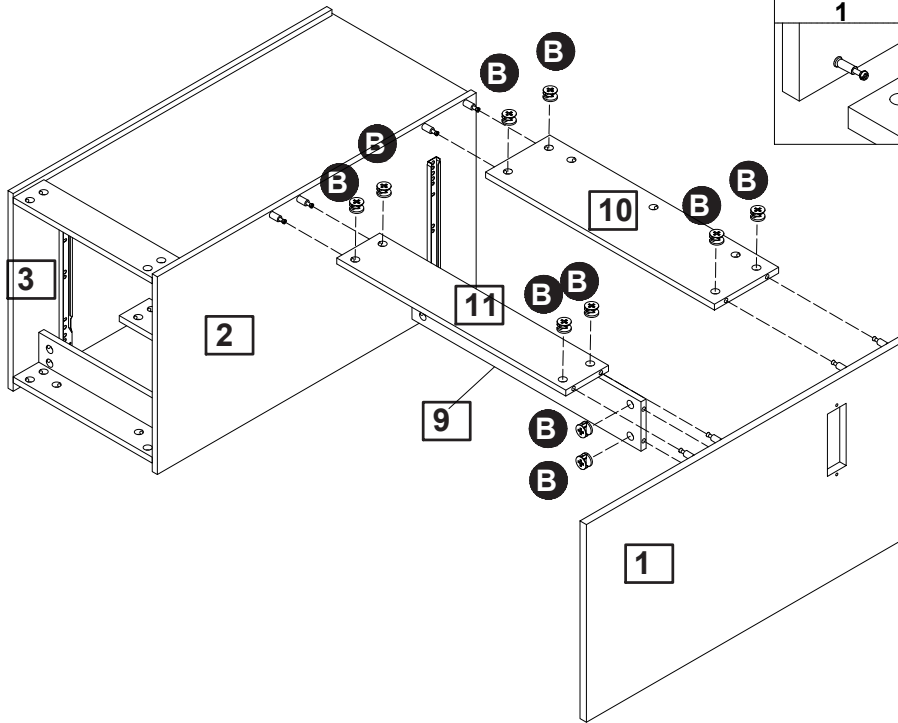


Step 12

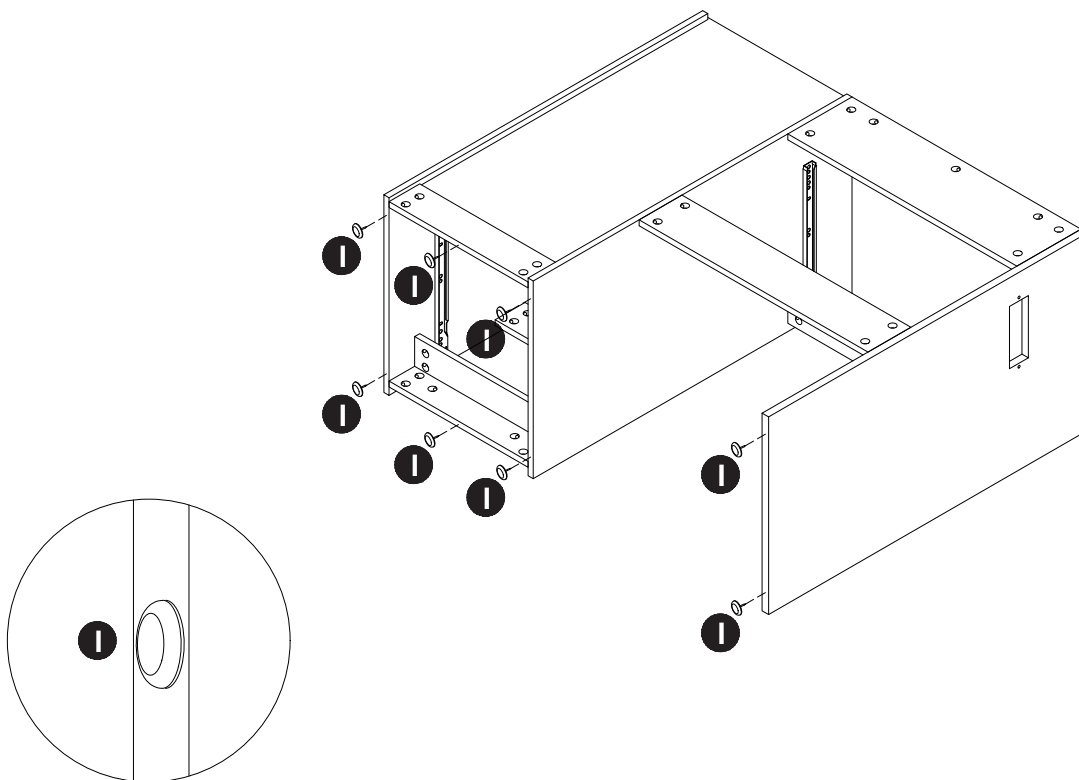
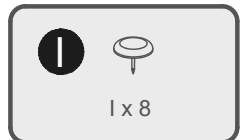


Assembly Instructions

Step 13

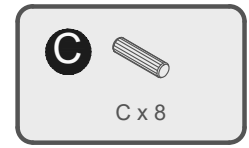
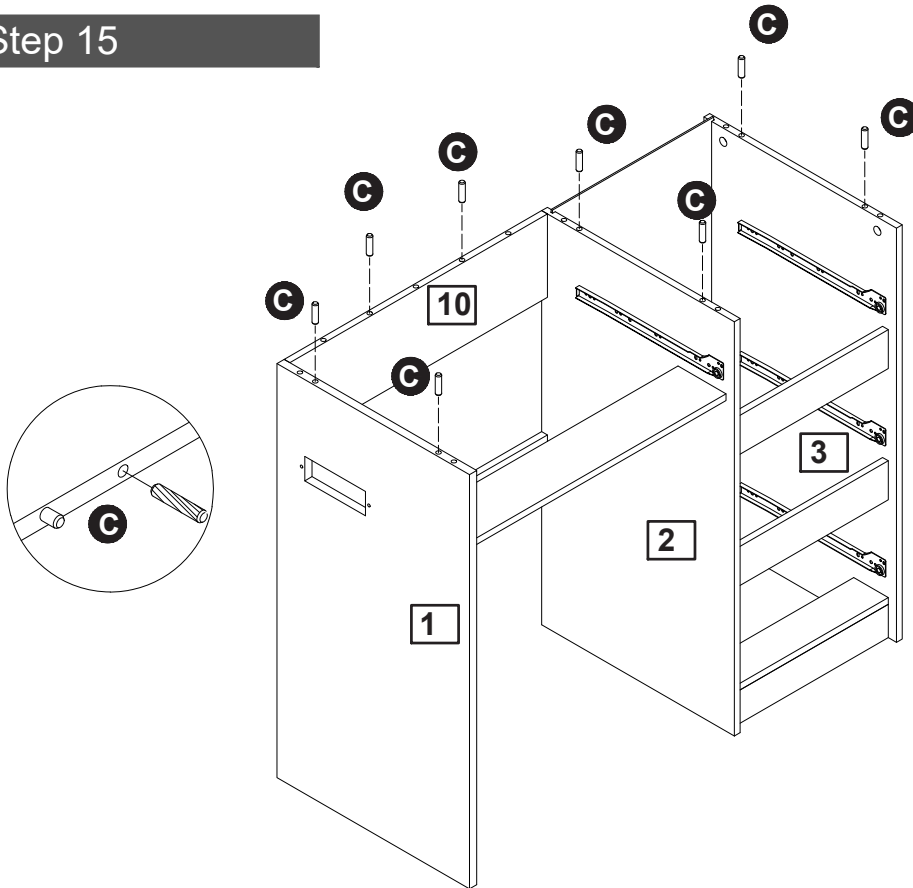


Step 14

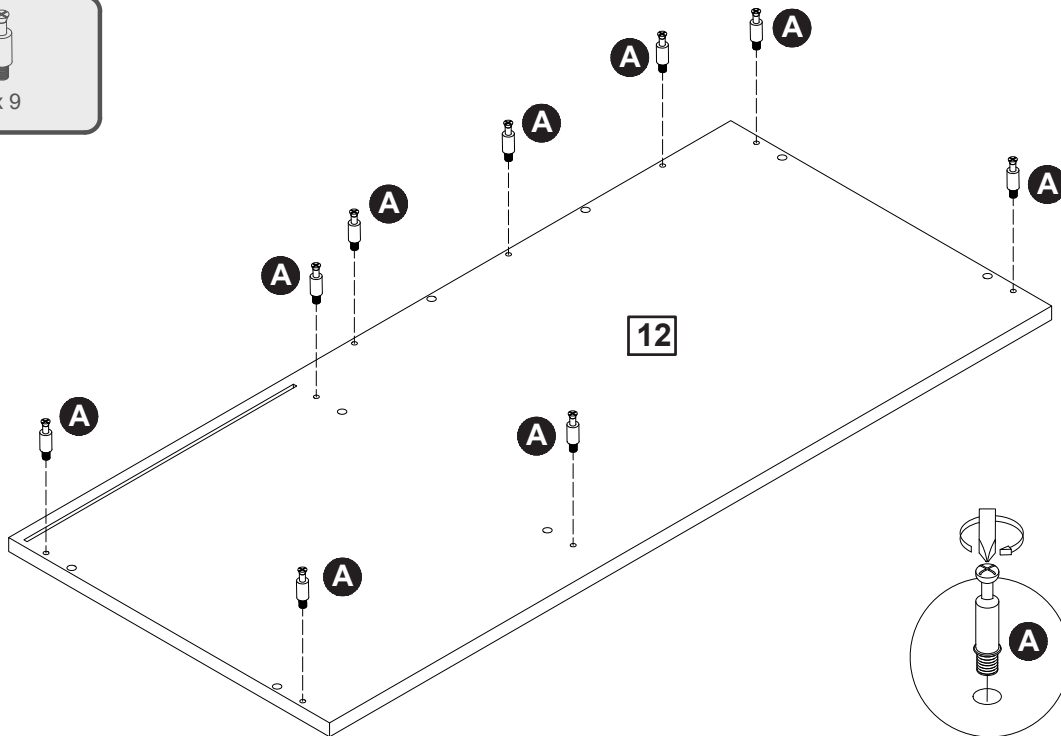
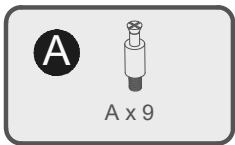


Assembly Instructions

Step 15

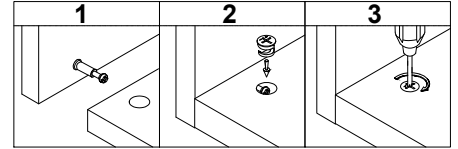
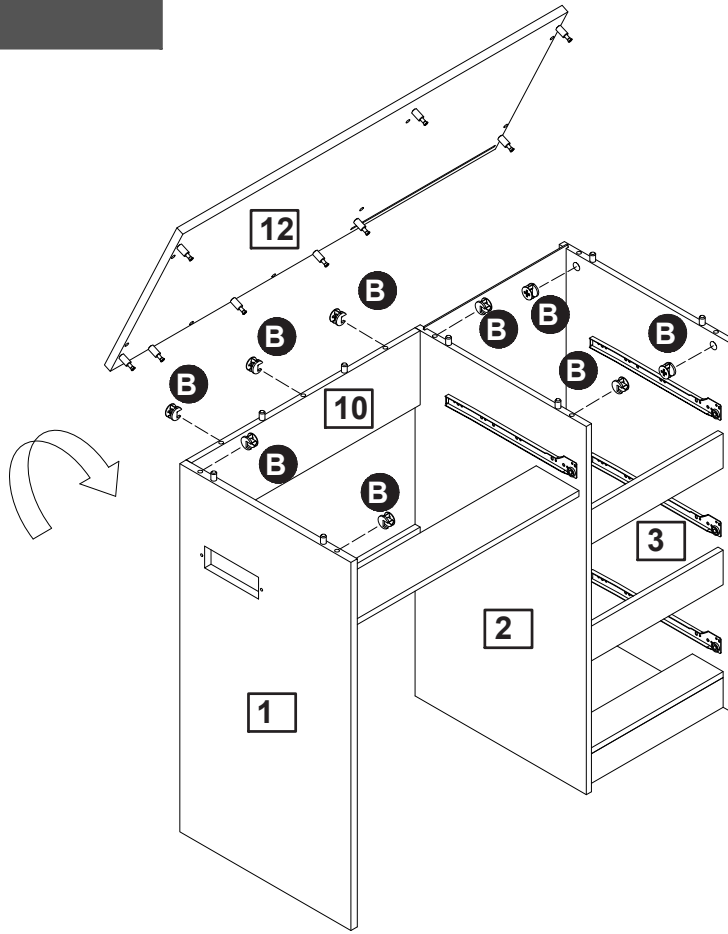


Step 16

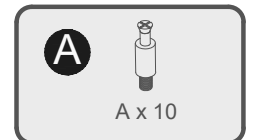
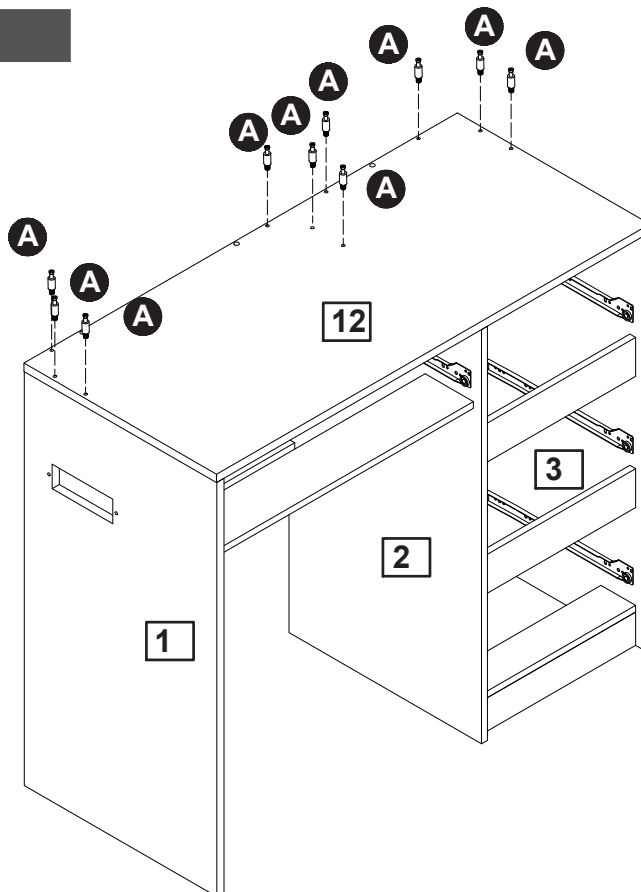
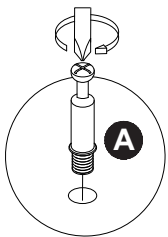


Assembly Instructions

Step 17



Step 16



Assembly Instructions

Step 19

A

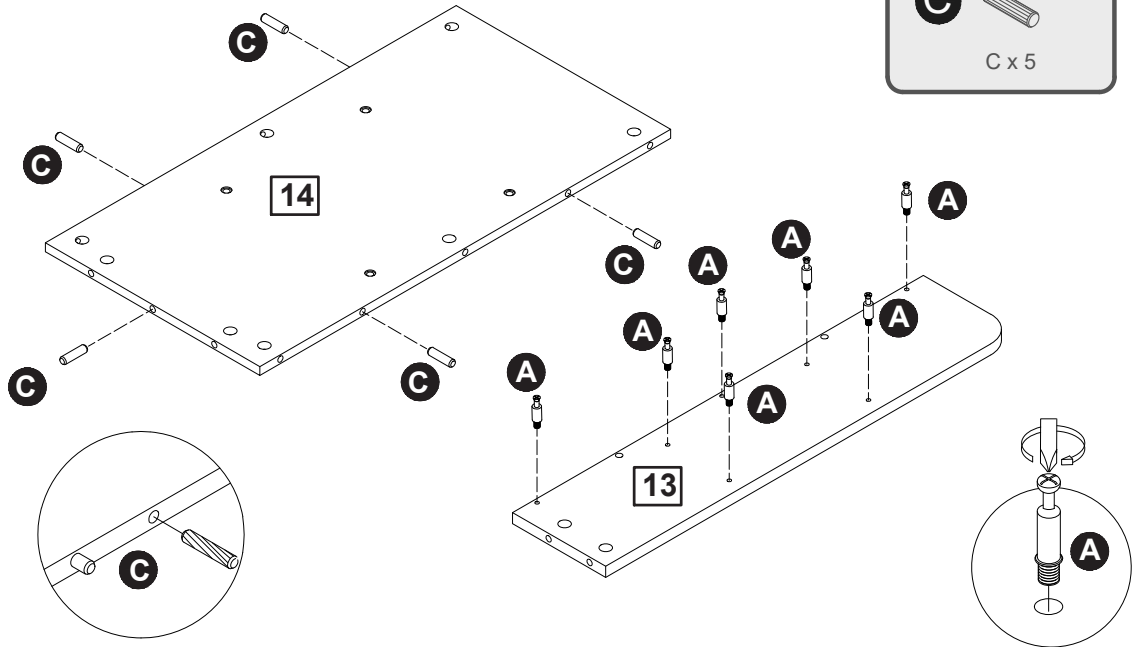


A x 7

C



C x 5

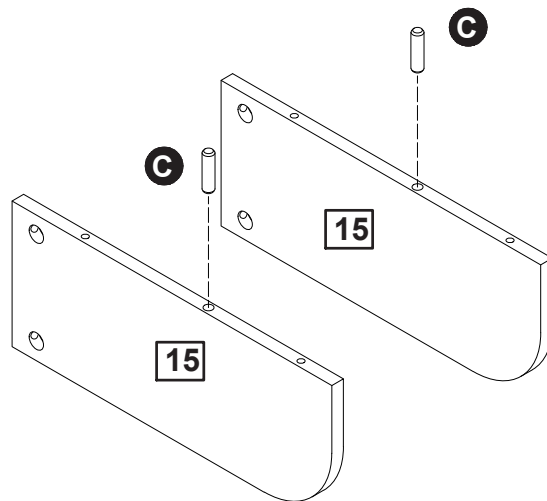


Step 20

C

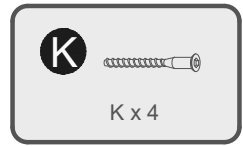
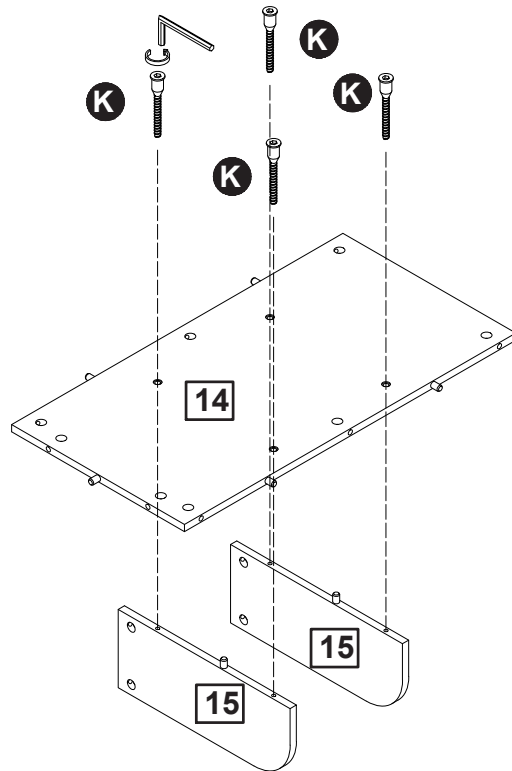


C x 2

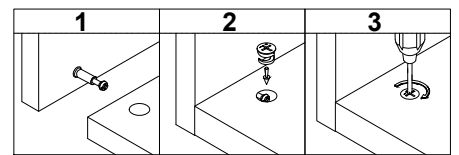
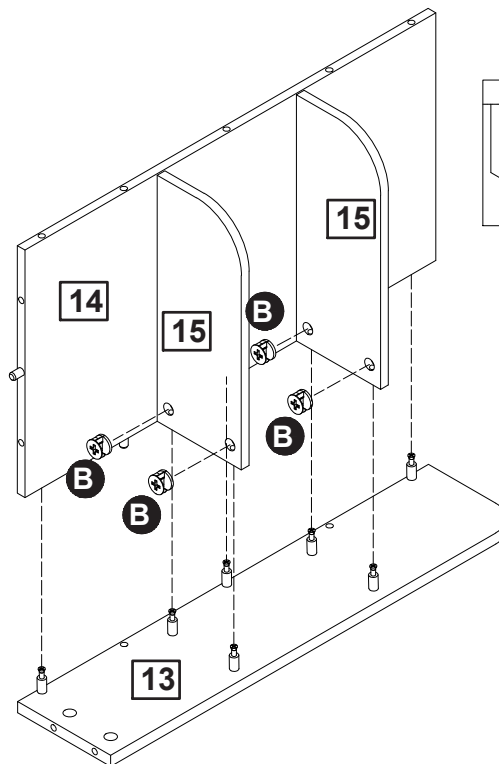


Assembly Instructions

Step 21

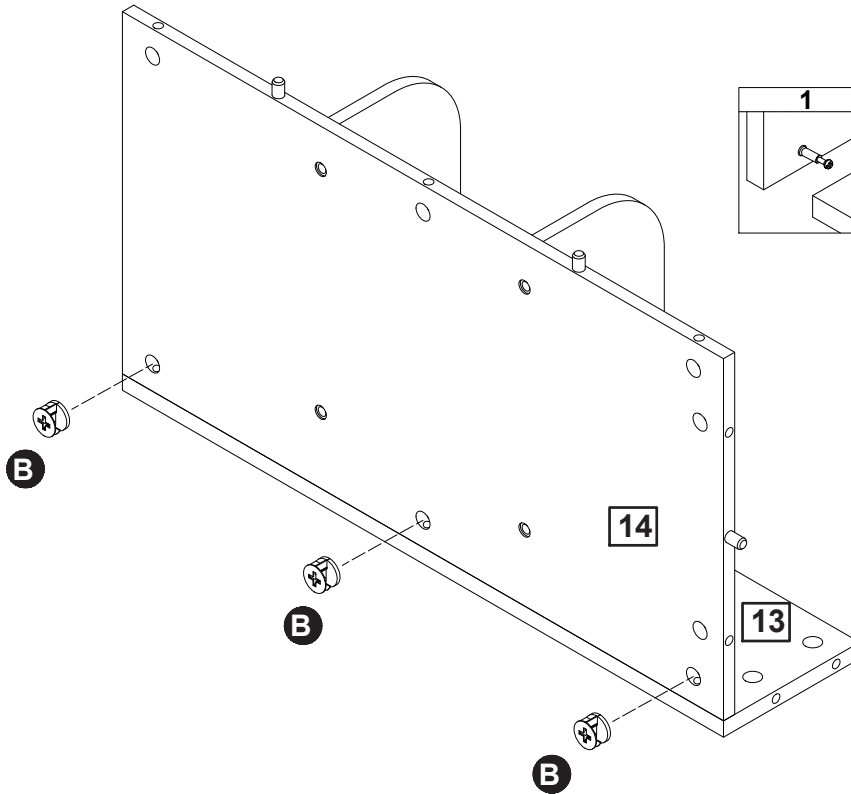
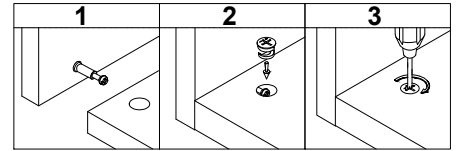


Step 22

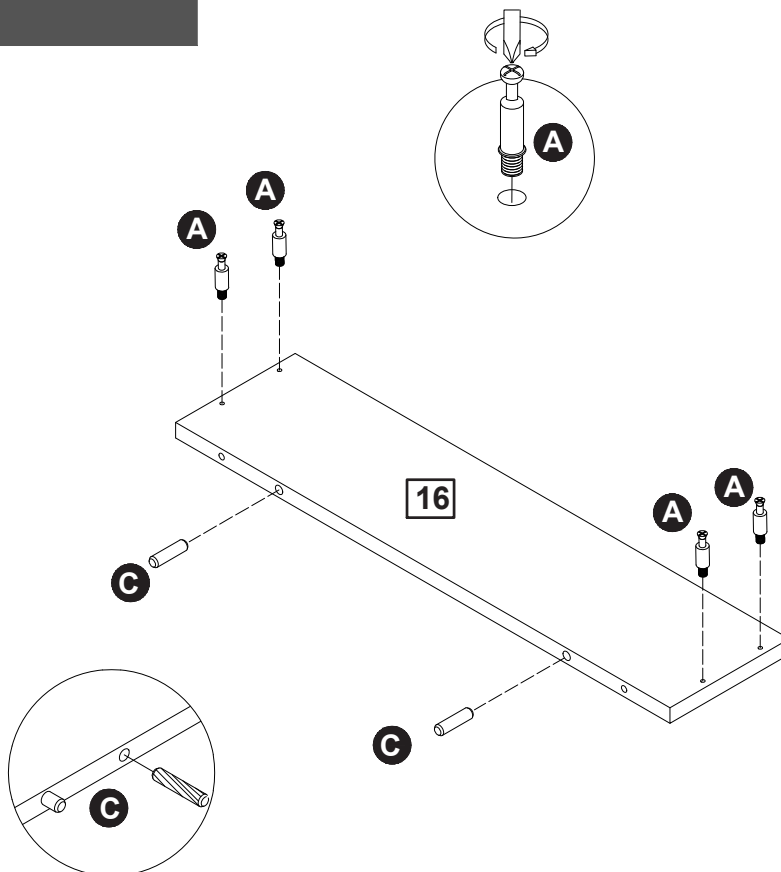
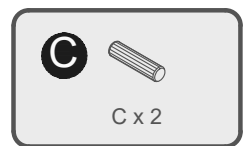
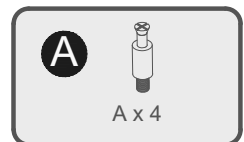


Assembly Instructions

Step 23



Step 24



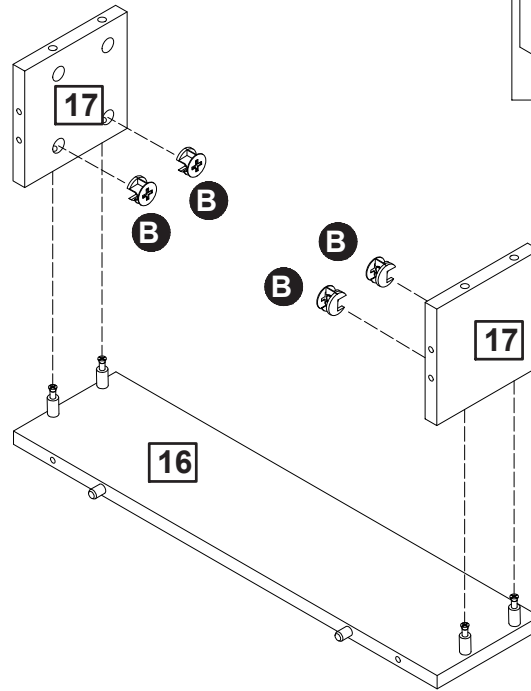
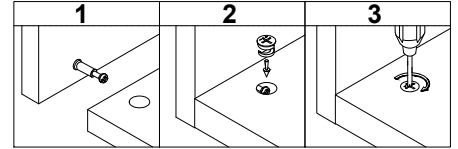
Assembly Instructions

Step 25

B



B x 4

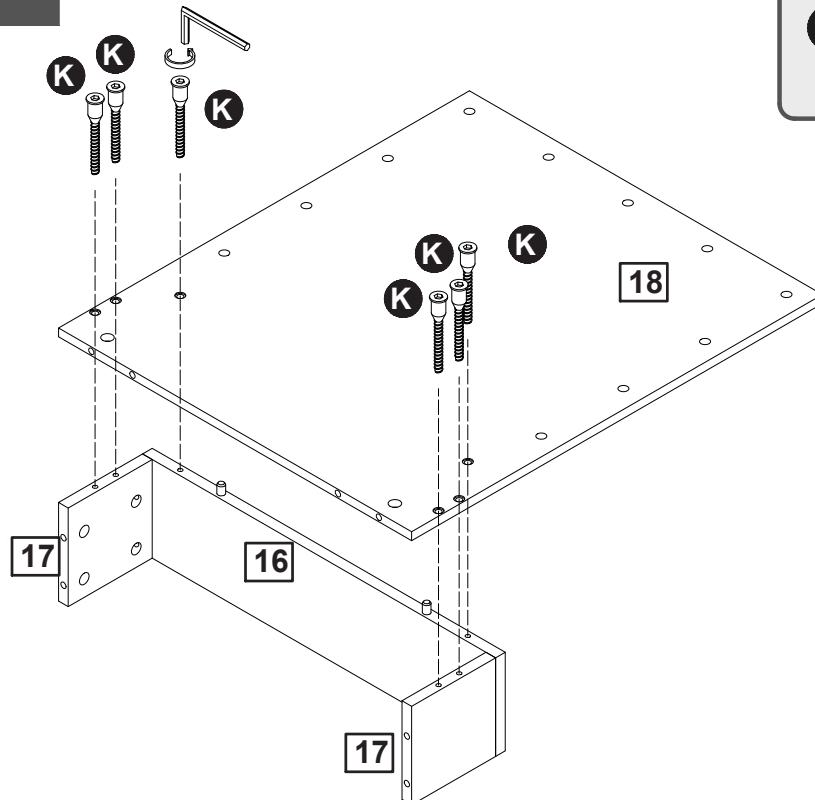


Step 26

K



K x 6



Assembly Instructions

Step 27

A

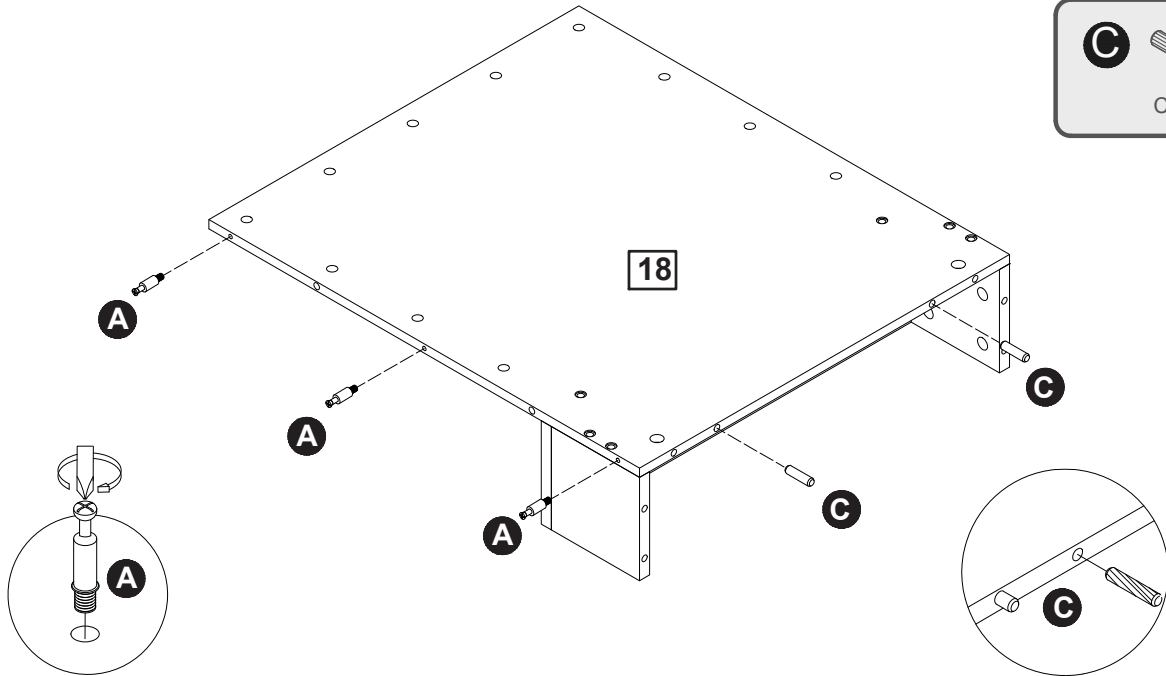


A x 3

C



C x 2

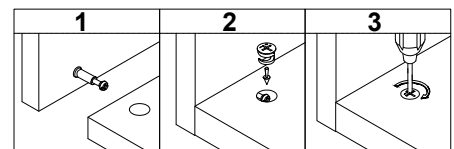
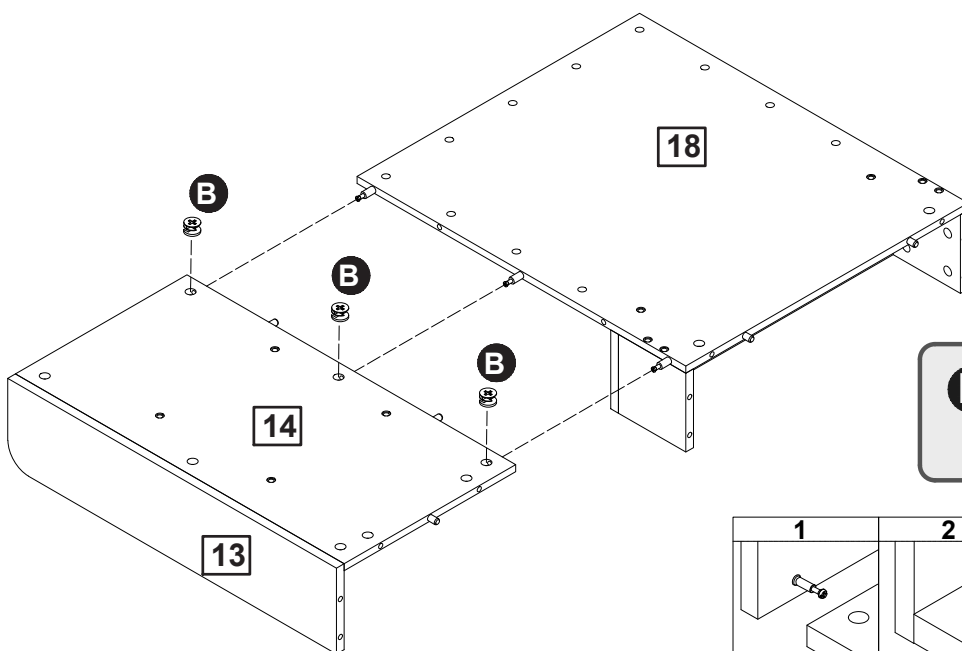


Step 28

B

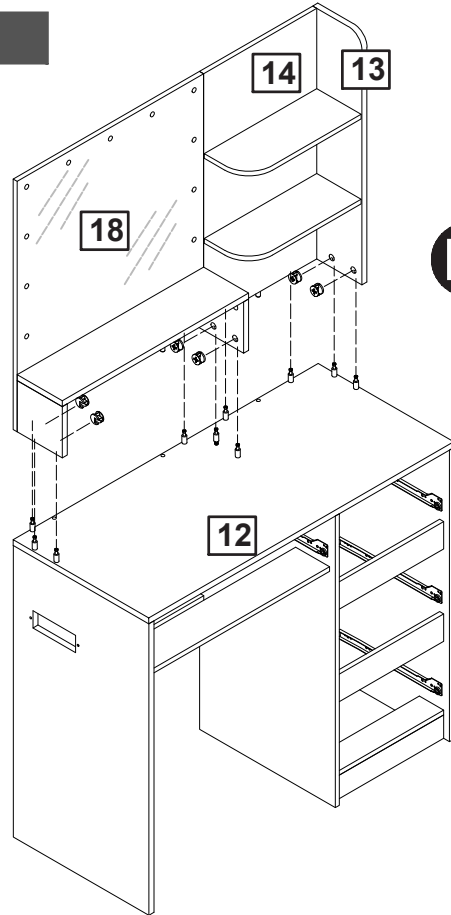


B x 3

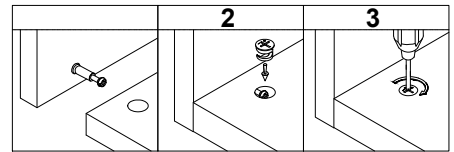


Assembly Instructions

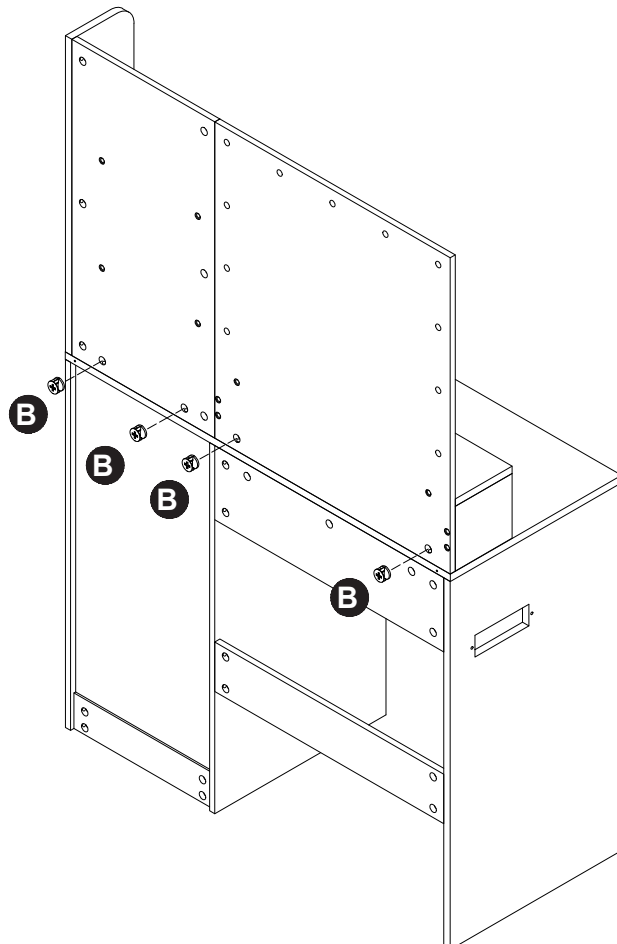
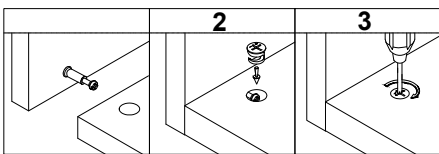
Step 29



B X6



Step 30



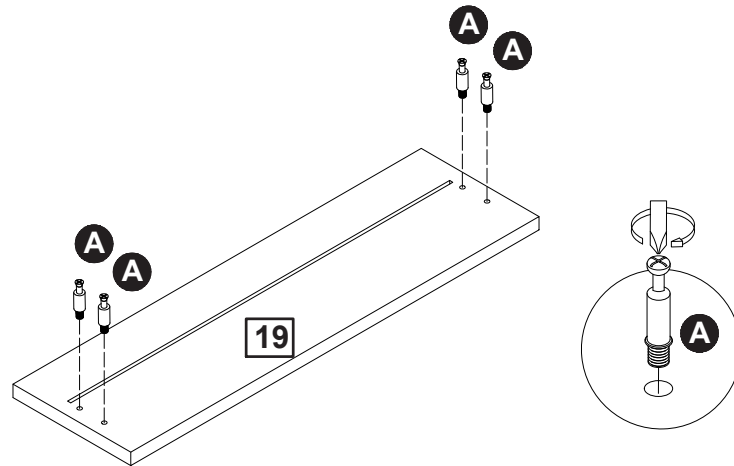
Assembly Instructions

Step 31

A



A x 4

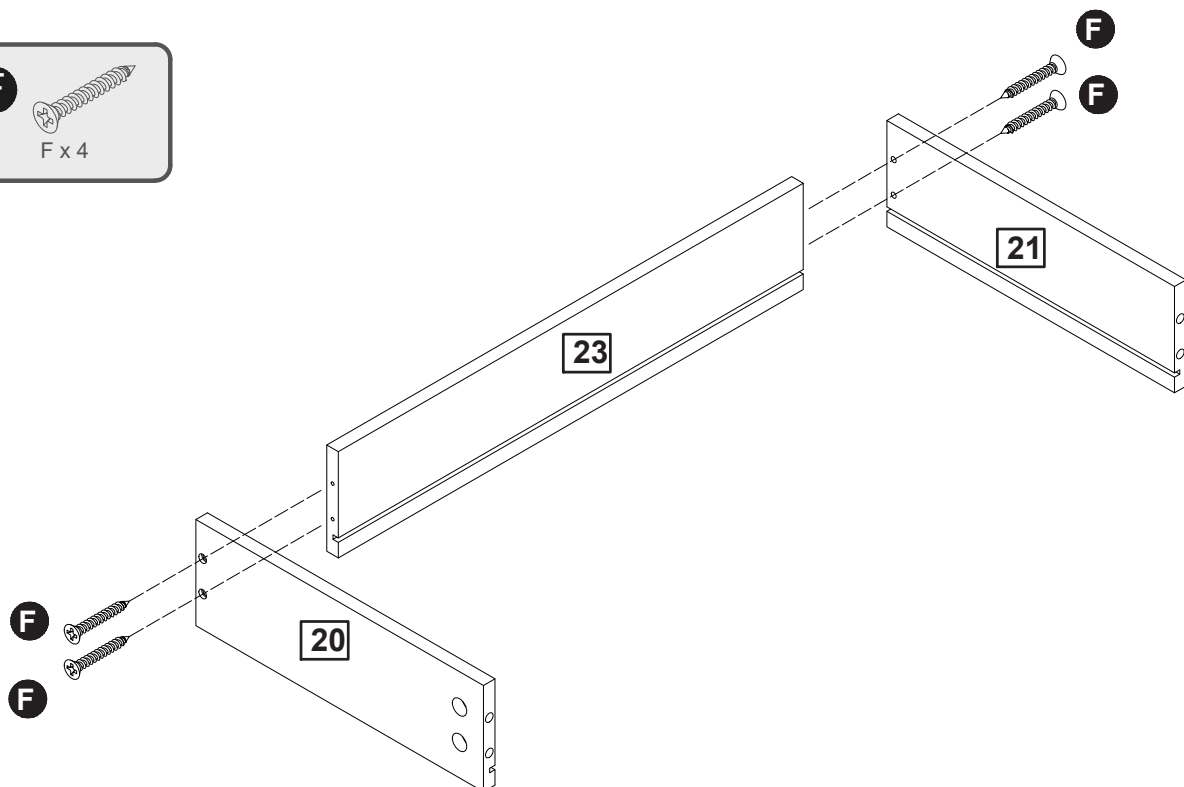


Step 32

F

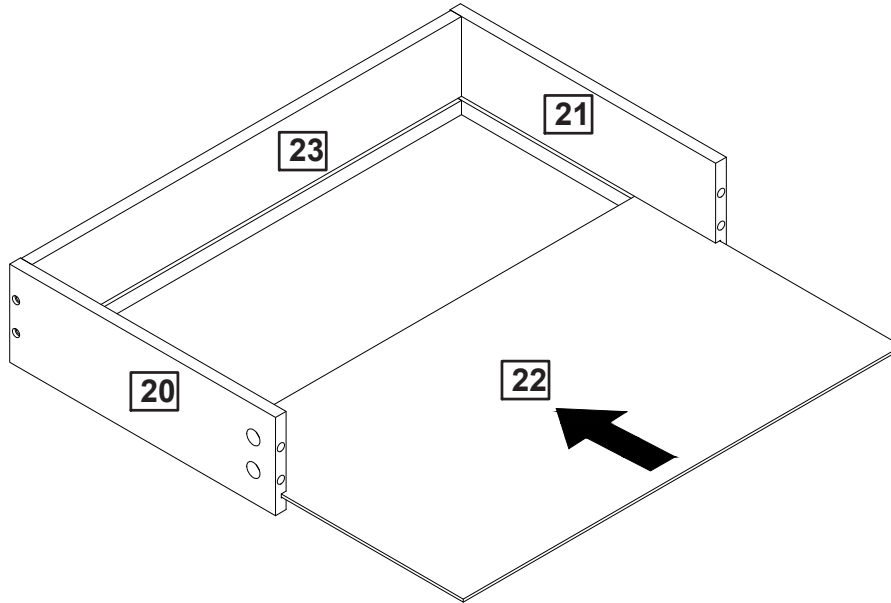


F x 4

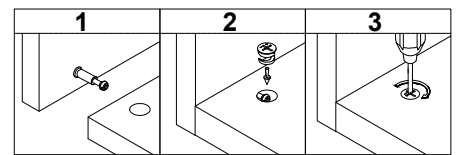
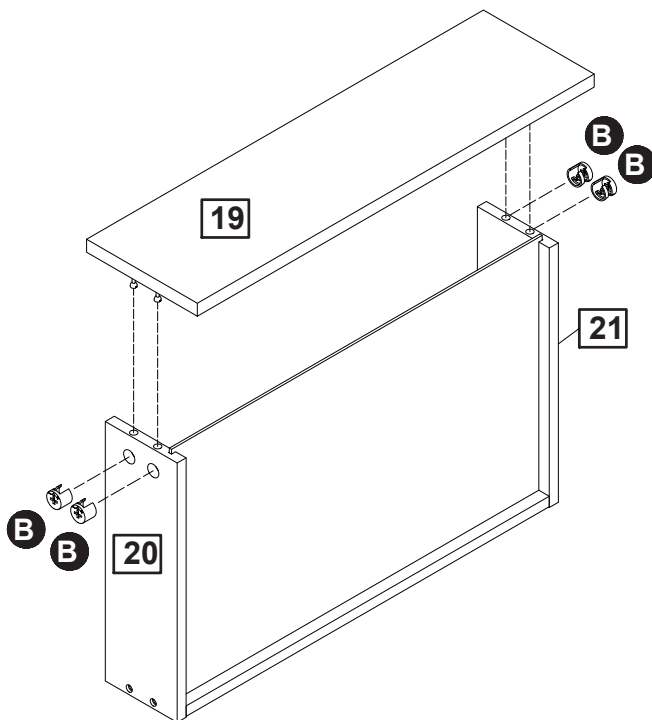


Assembly Instructions

Step 33

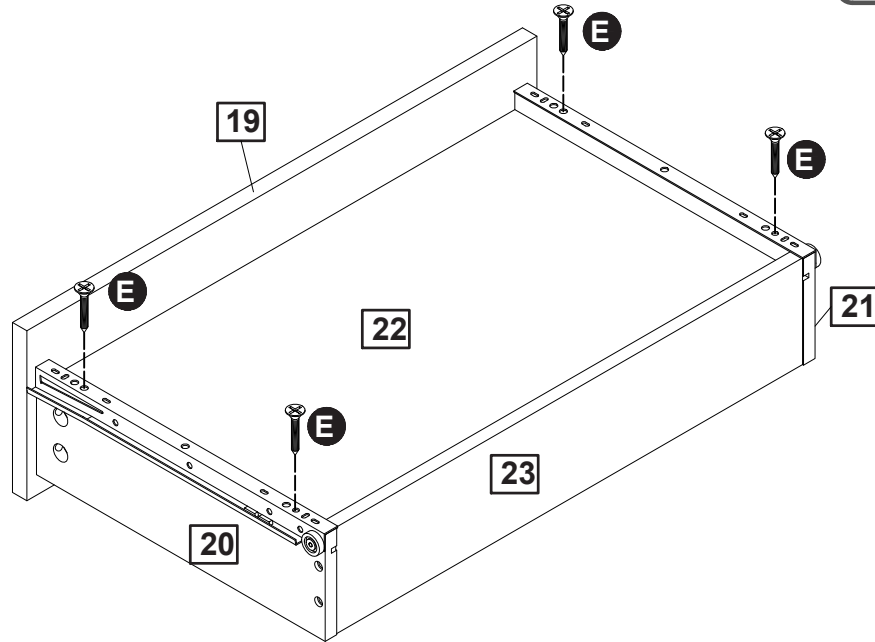
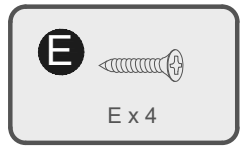


Step 34

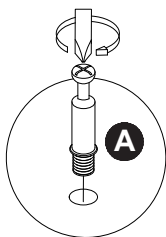
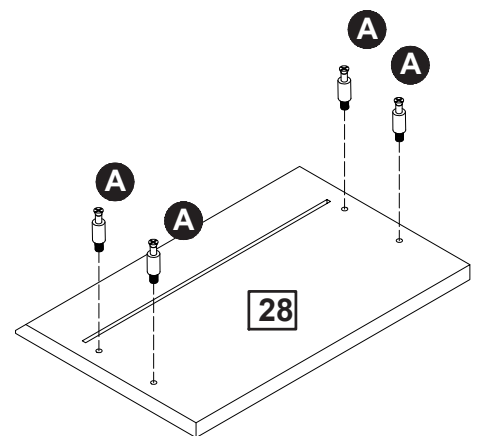
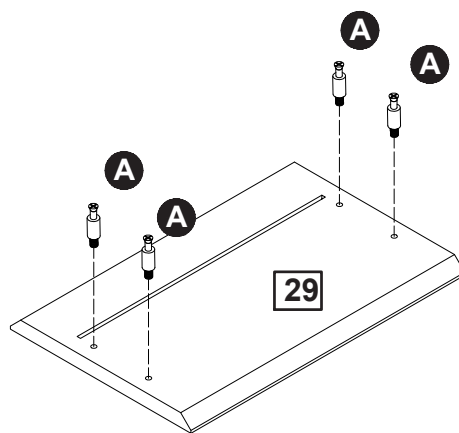
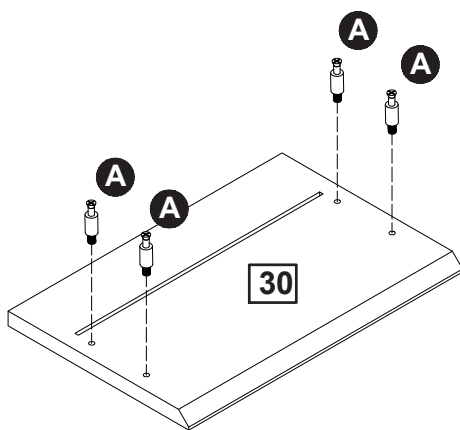
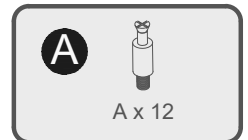


Assembly Instructions

Step 35

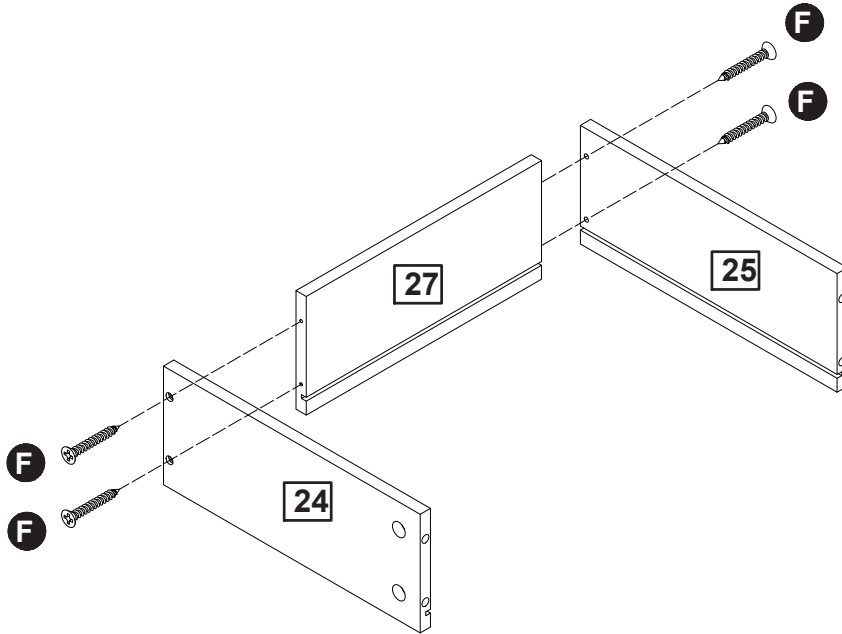
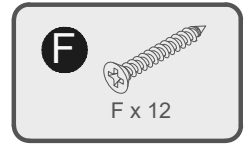


Step 36



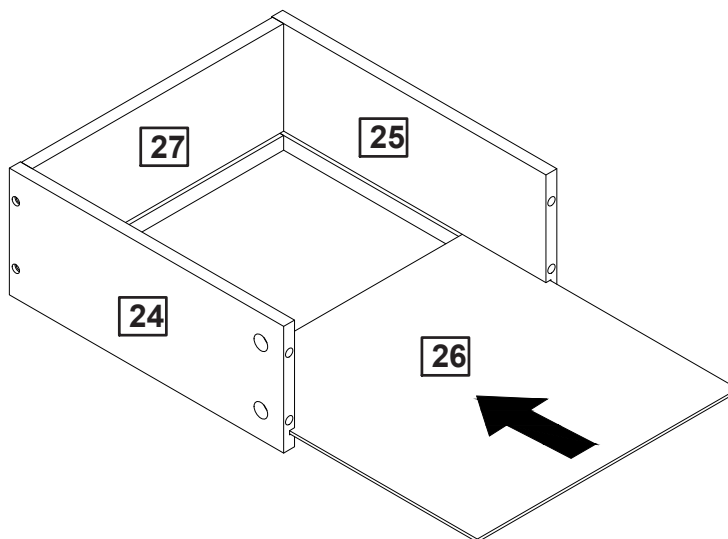
Assembly Instructions

Step 37



X3

Step 38



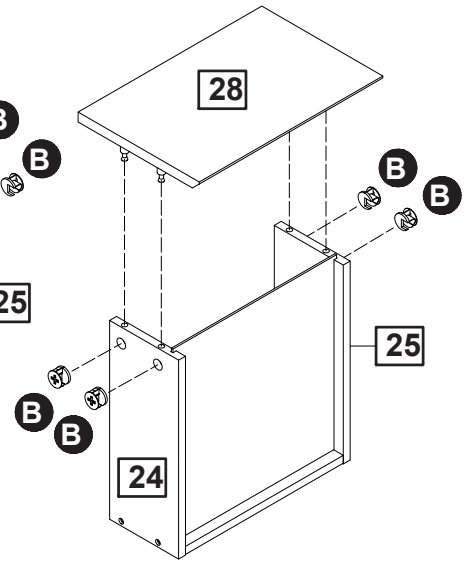
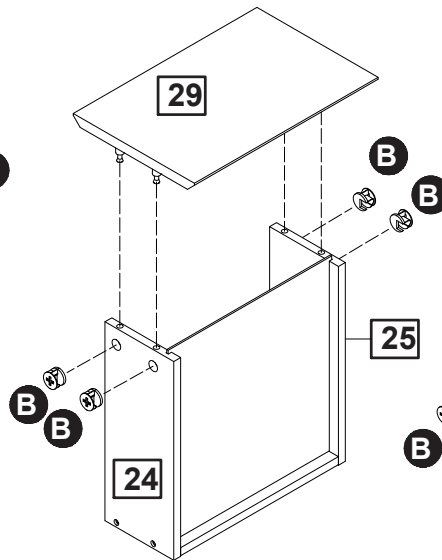
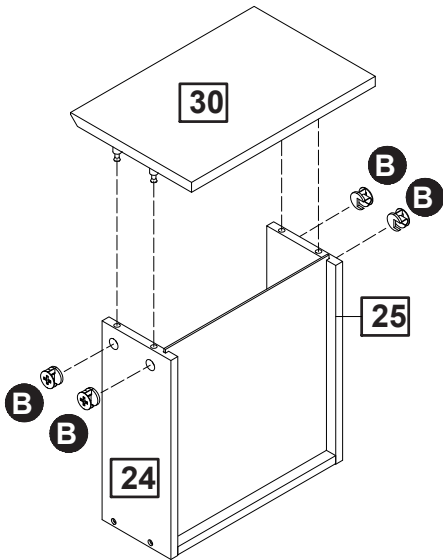
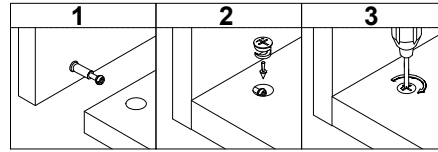
X3

Assembly Instructions

Step 39

B

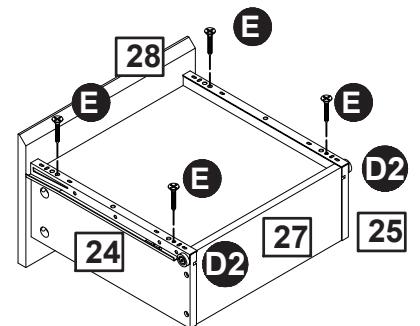
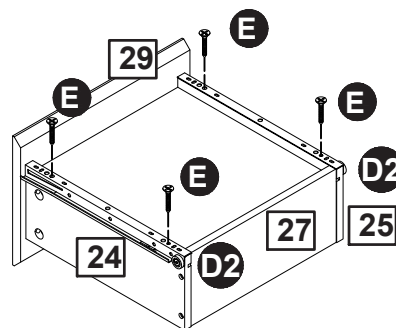
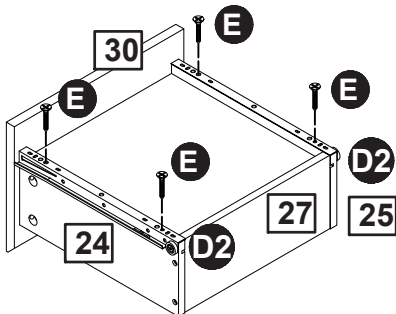
B x 12



Step 40

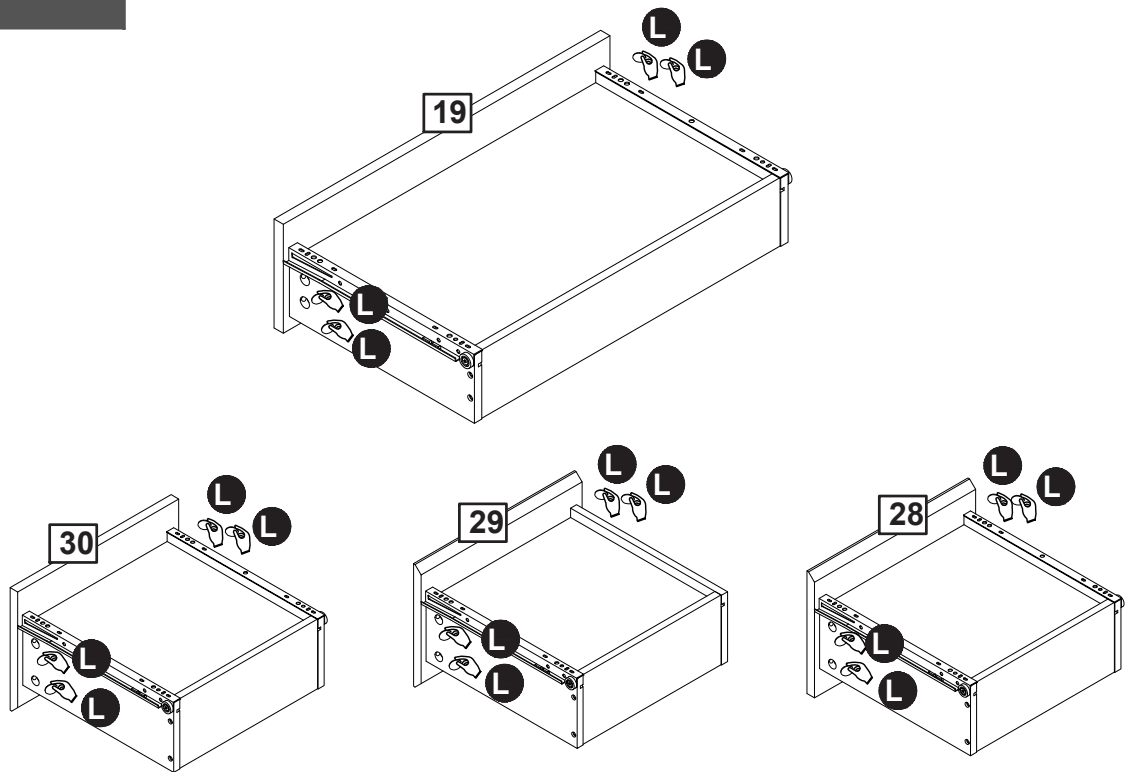
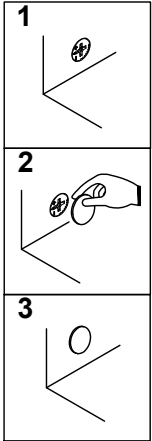
E

E x 12

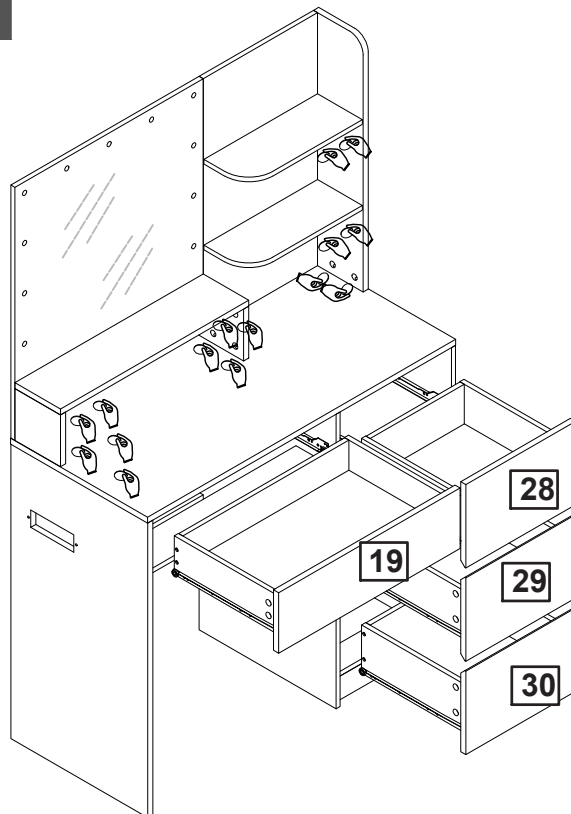
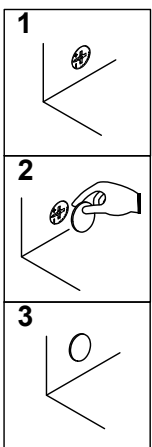


Assembly Instructions

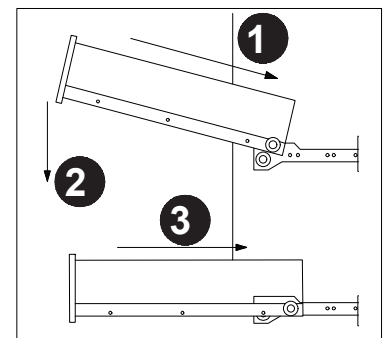
Step 41



Step 42

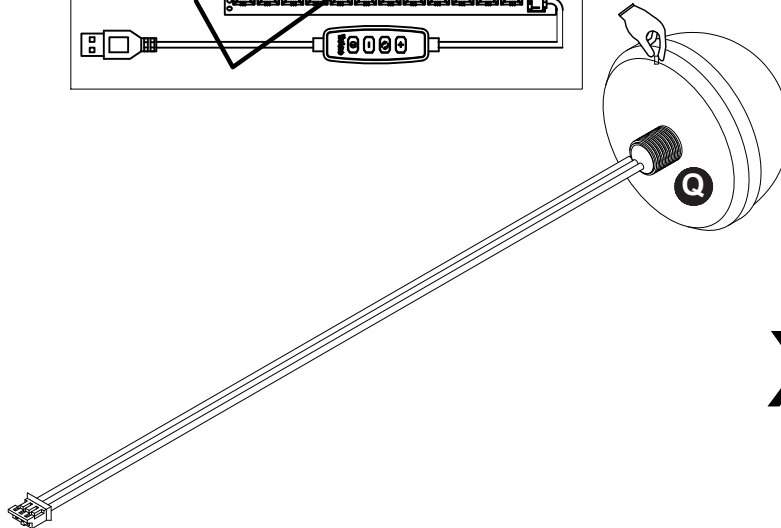
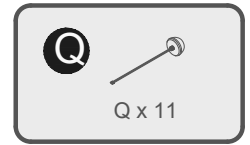
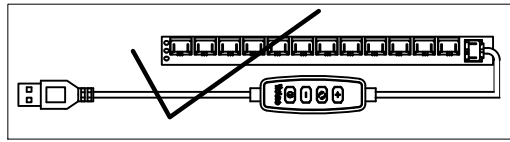
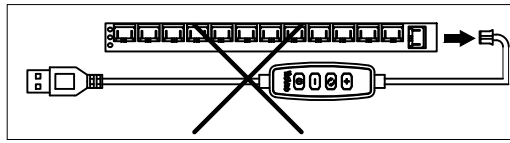
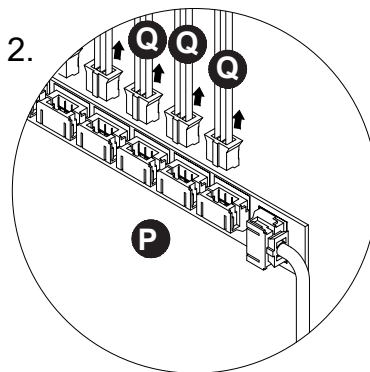
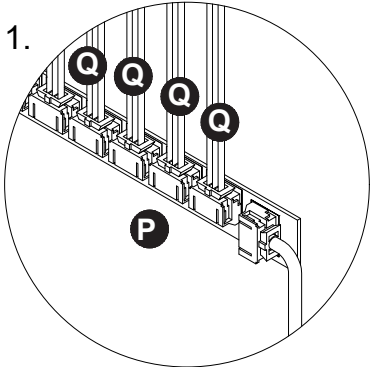


L x 14



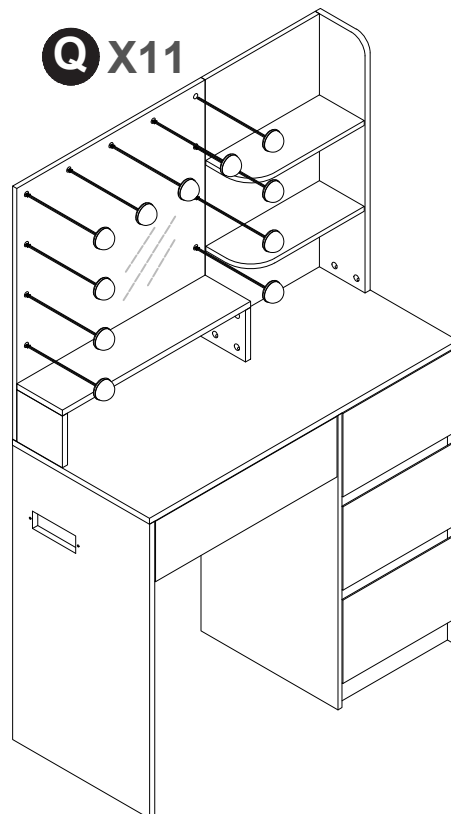
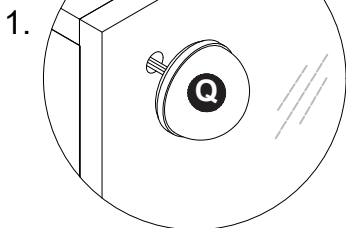
Assembly Instructions

Step 43



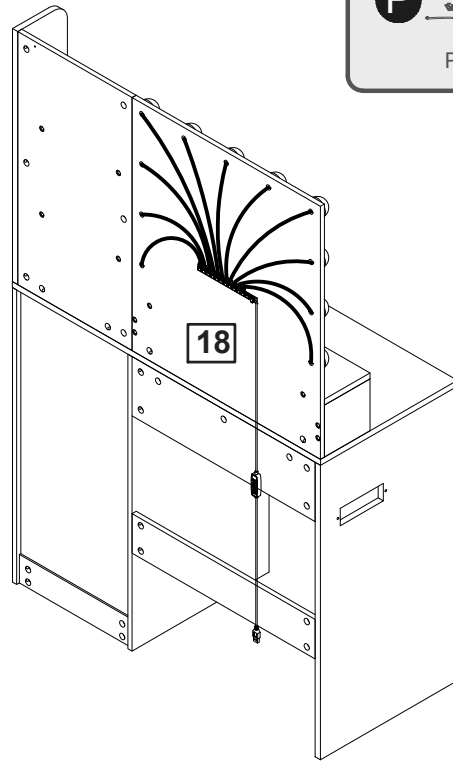
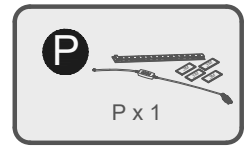
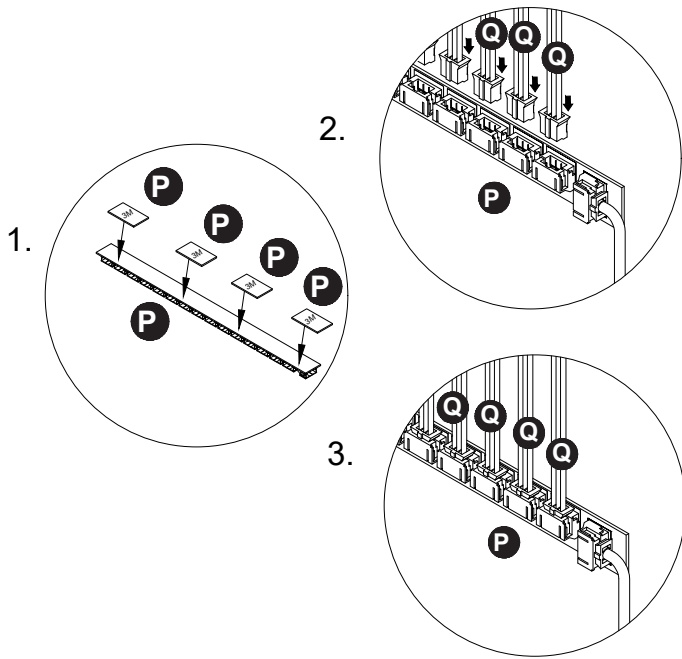
X11

Step 44

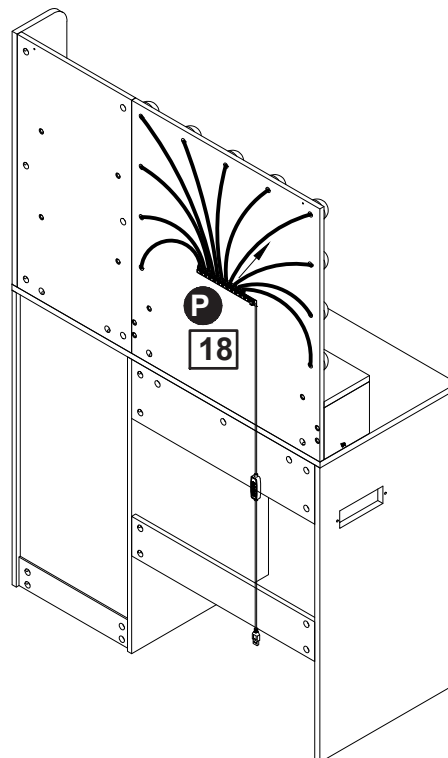
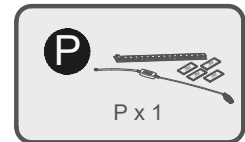
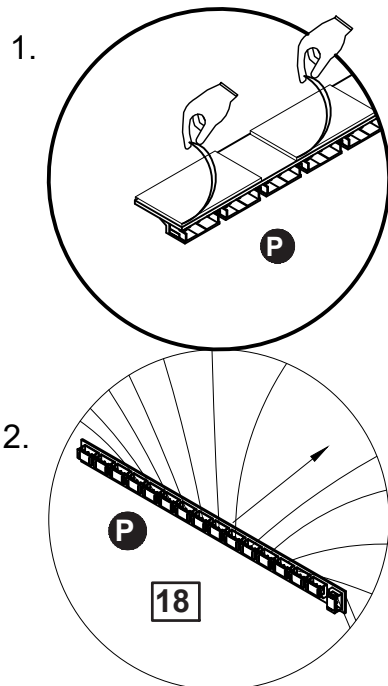
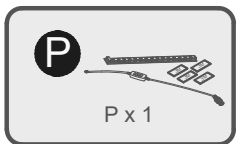


Assembly Instructions

Step 45

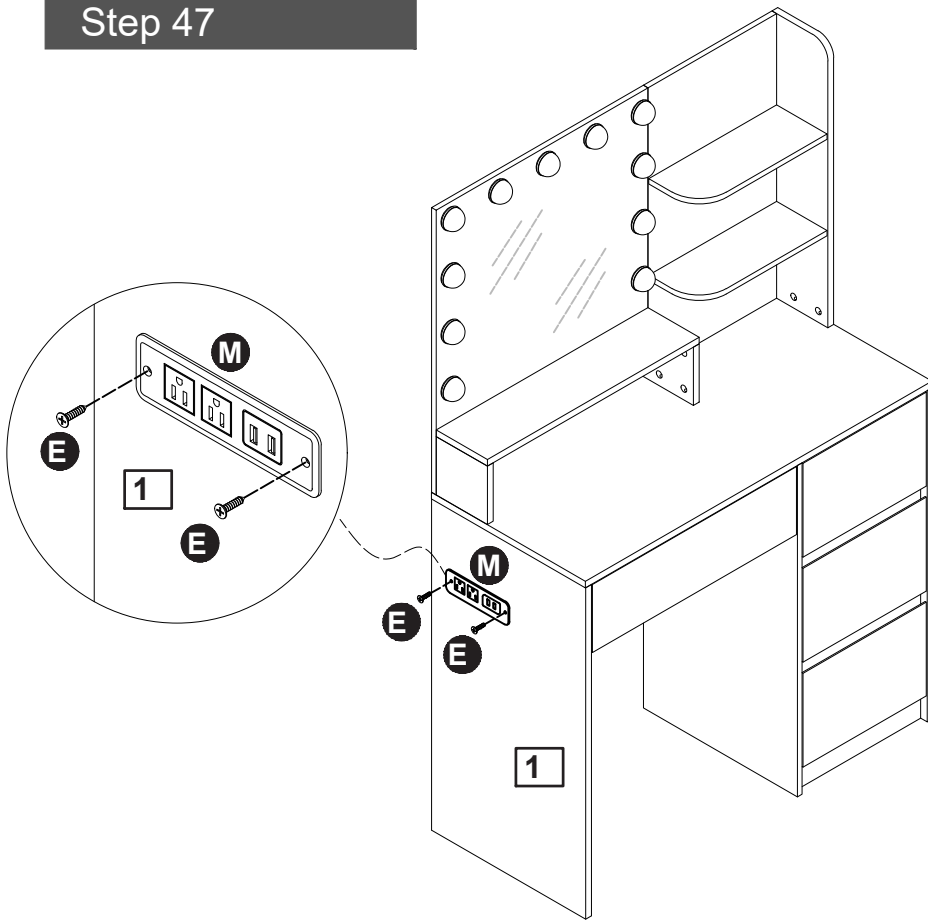


Step 46

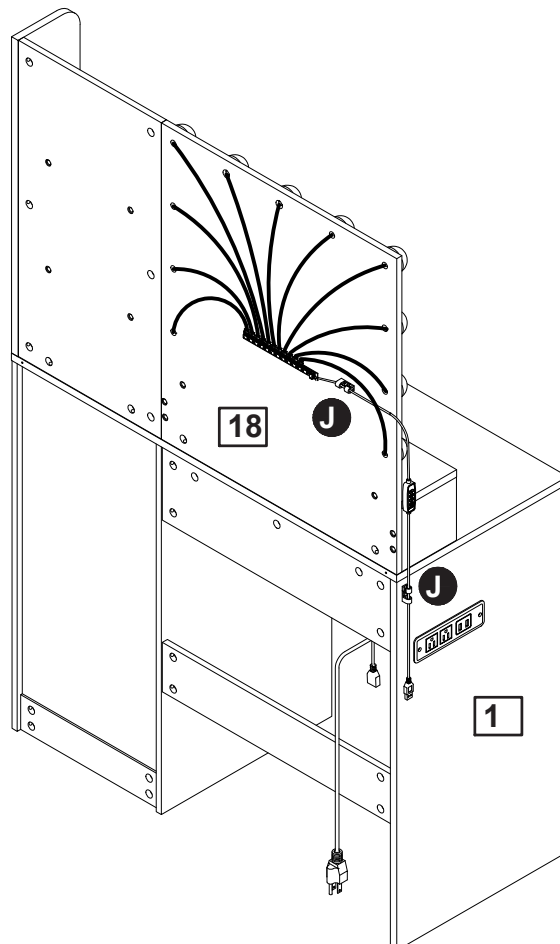
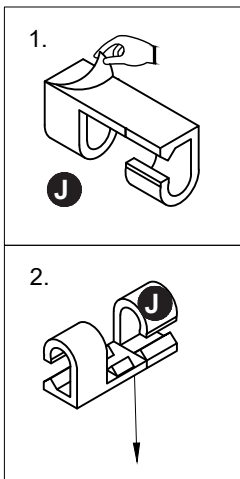


Assembly Instructions

Step 47

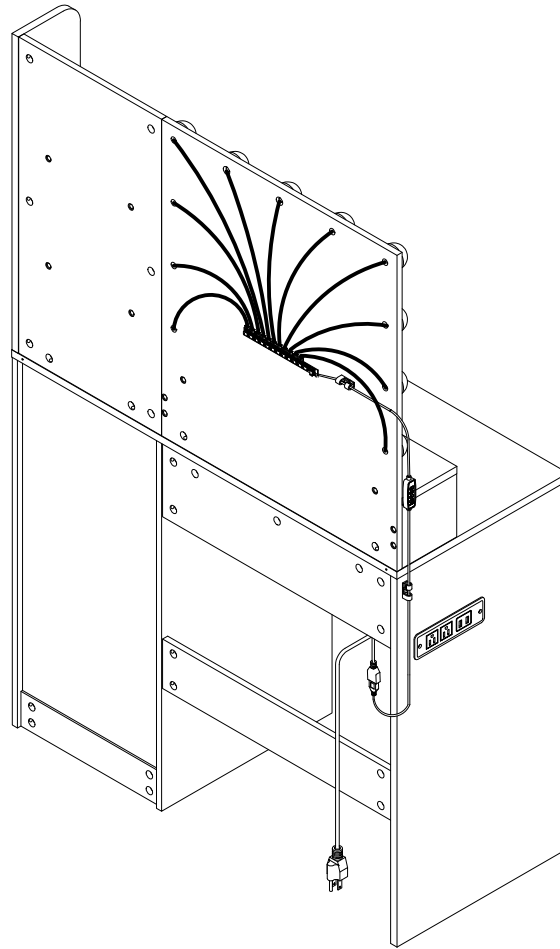
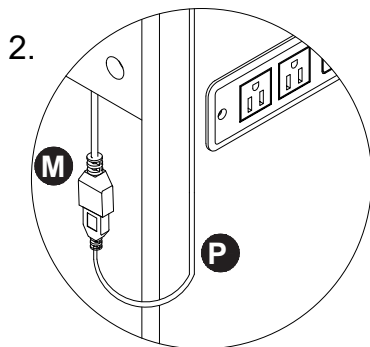
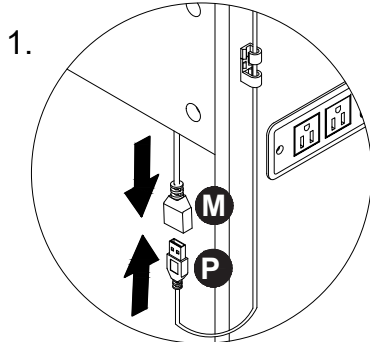


Step 48

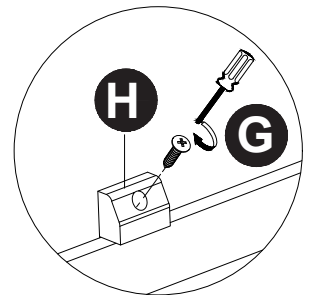
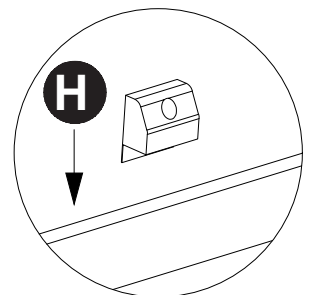
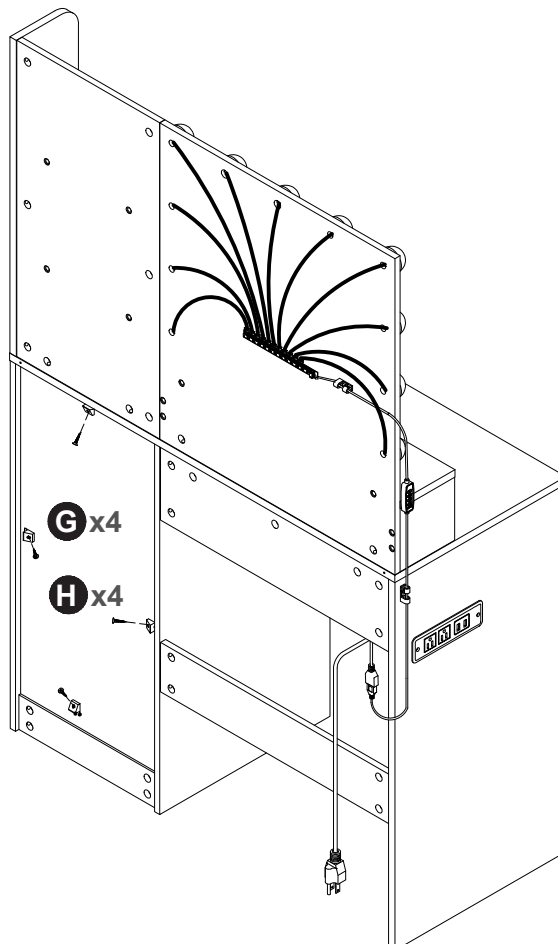


Assembly Instructions

Step 49



Step 50



Assembly Instructions

Step 51

The unit is floor standing, but it is recommended that the unit is secured to the wall.

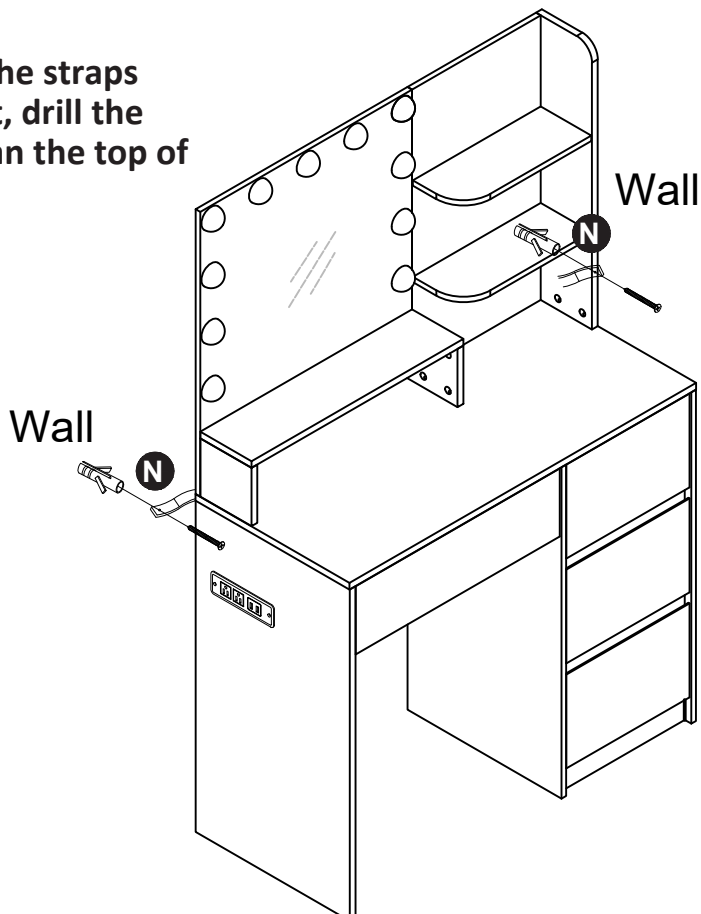
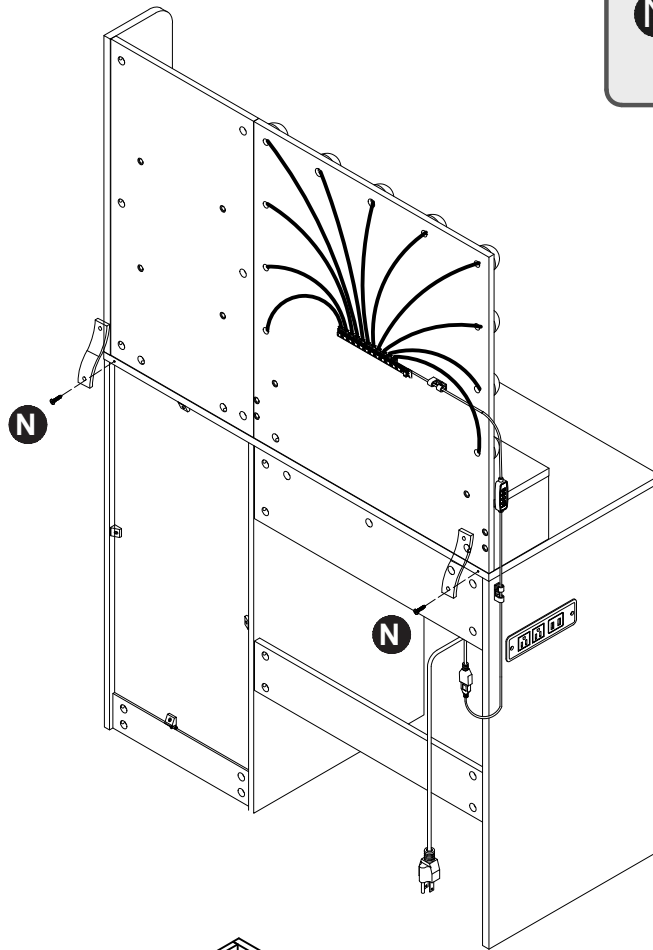
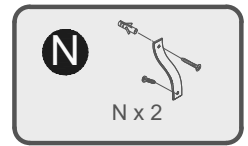
1. Move the unit into desired position.
2. Mark the wall with a suitable scribe the position of the fixing holes.



Warning:
Before drilling, check wall for hidden pipes and cables.

3. Drill holes and insert 2 x wall plug
4. Attach 2 x Wall Straps to the top of the unit using 2 x Washers and 2 x Screws
5. Secure the straps to the wall using 2 x Washers and 2 x Screws

Note: To hide the straps behind the unit, drill the holes lower than the top of the unit



A Guide to Wall Mounting & Fixings

Important note:

If plastic wall plugs (rawl plugs) are supplied with your product, e.g.:



- these are only suitable for use in masonry walls.

If you are in any doubt about the correct wall plugs for your wall, seek professional advice.


Failure of the product due to using the incorrect fixings is the responsibility of the installer.



Important: when drilling into walls always check that there are no hidden wires or pipes etc.

Make sure that the screws and wall plugs being used are suitable for supporting your unit. Consult a qualified tradesperson if you are unsure.

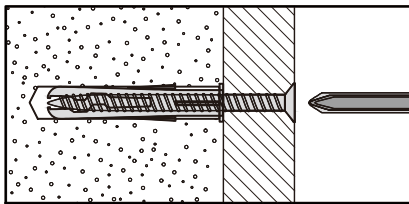
Hints:

- 1: General rule:  always use a larger screw and wall plug if you are not sure.
- 2: Ensure you use the recommended drill bit to match the wall plug and hole size.
- 3: Ensure you drill the hole horizontally; do not force the drill or enlarge the hole.
- 4: Take extra care when drilling high walls, ceilings and ceramic tiles. Ensure wall plugs are inserted beyond the thickness of the ceramic tiles to avoid the tiles splitting or cracking.
- 5: Ensure wall plugs are well fitted and are a tight fit in the drilled hole.

Types of walls

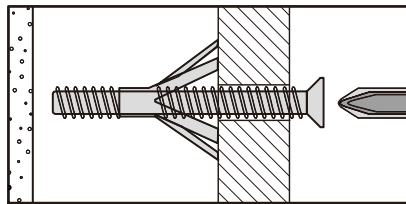
You can use one of the following types of wall plug if your walls are made of brick, breeze block, concrete, stone or wood.

No.1 "General Purpose" wall plug



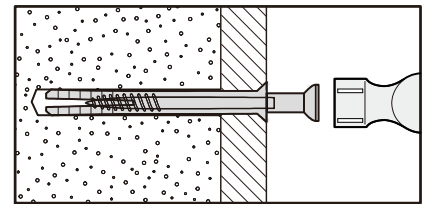
Generally aerated blocks should not be used to support heavy loads, use a specialist fitting in this case. For light loads, general purpose wall plugs can be used.

No.3 "Cavity Fixing" wall plug



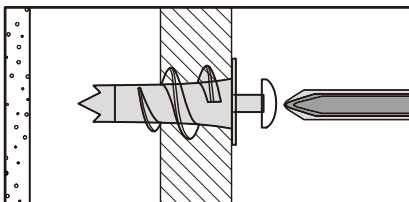
For use with plasterboard partitions or hollow wooden doors.

No.5 "Hammer Fixing" wall plug



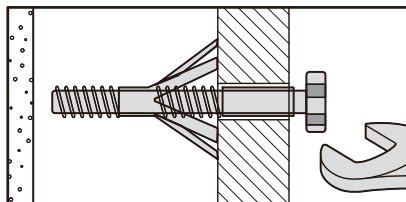
For use with walls stuck with plasterboard. The hammer fixing allows it to be fixed to the wall rather than the plasterboard. Always check the fixing is secure to the retaining wall.

No.2 "Plasterboard" wall plug



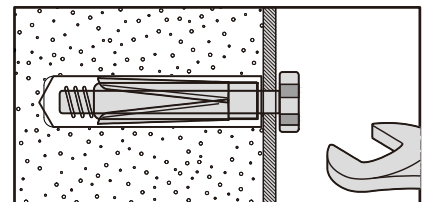
For use when attaching light loads onto plasterboard partitions.

No.4 "Cavity Fixing - Heavy Duty" wall plug



For use when fitting or supporting heavy loads such as shelving, wall cabinets and coat racks.

No.6 "Shield Anchor" wall plug - heavy loads



For use with heavier loads such as TV and HiFi speakers and satellite dishes etc.



Care & Maintenance

Safety: always check the fitting and location to ensure your safety in and around the home.

Fitting: from time to time check the fitting to ensure the wall plugs or screws do not become loose.