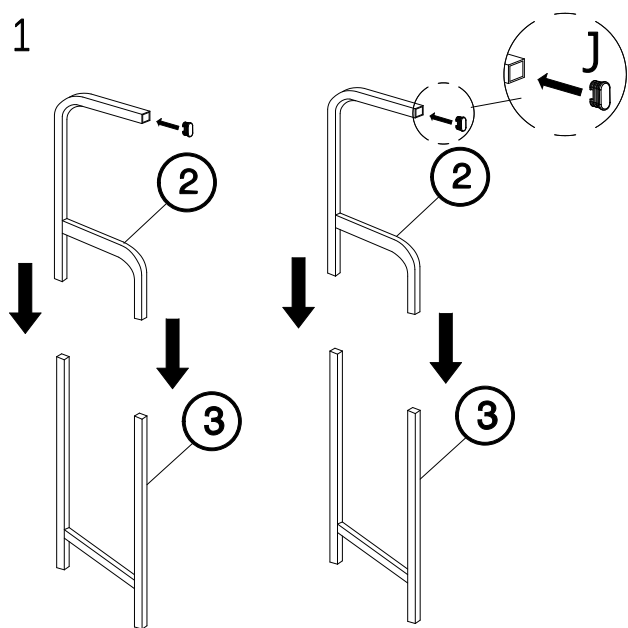
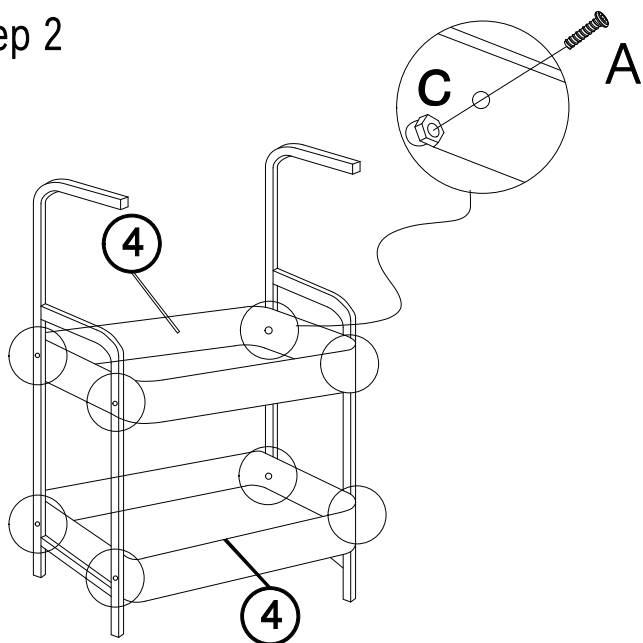


ASSEMBLY INSTRUCTIONS

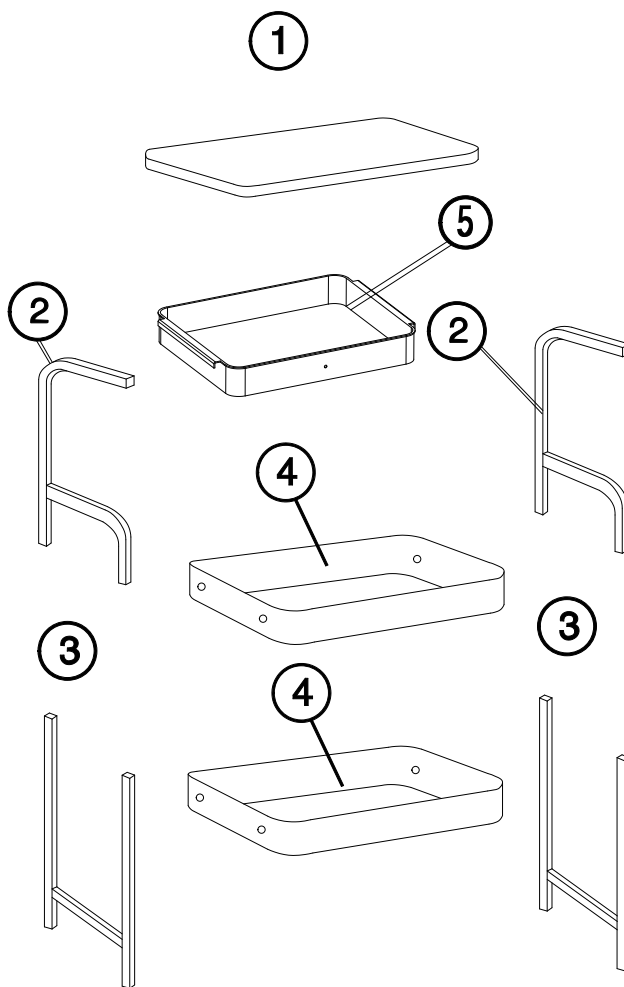
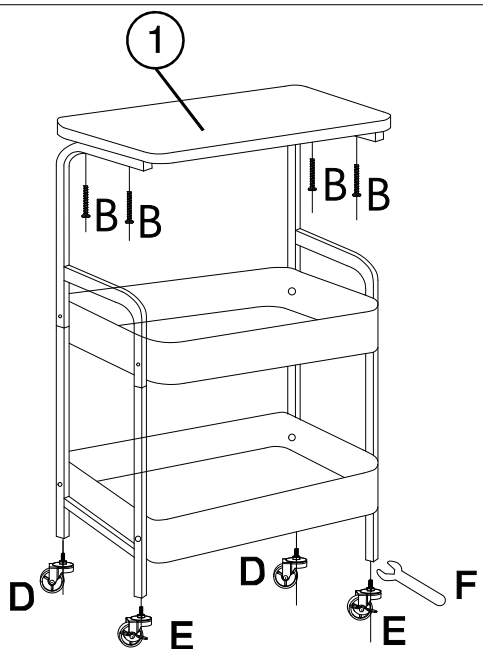
Step 1



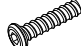
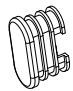
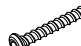


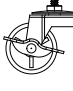
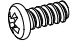

Step 2



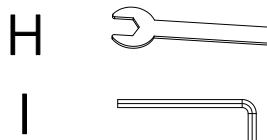
Step 3



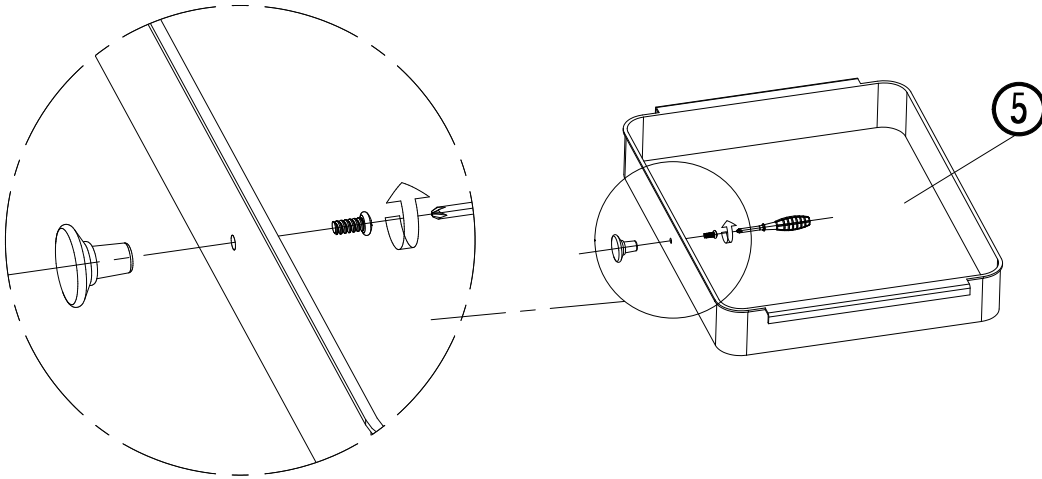
Component Check List

A	 M6*24 X8	J	 X2
B	 M4*30 X4		
C	 X8		
D	 X2		
E	 X2		
F	 M5*10 X1		
G	 X1		

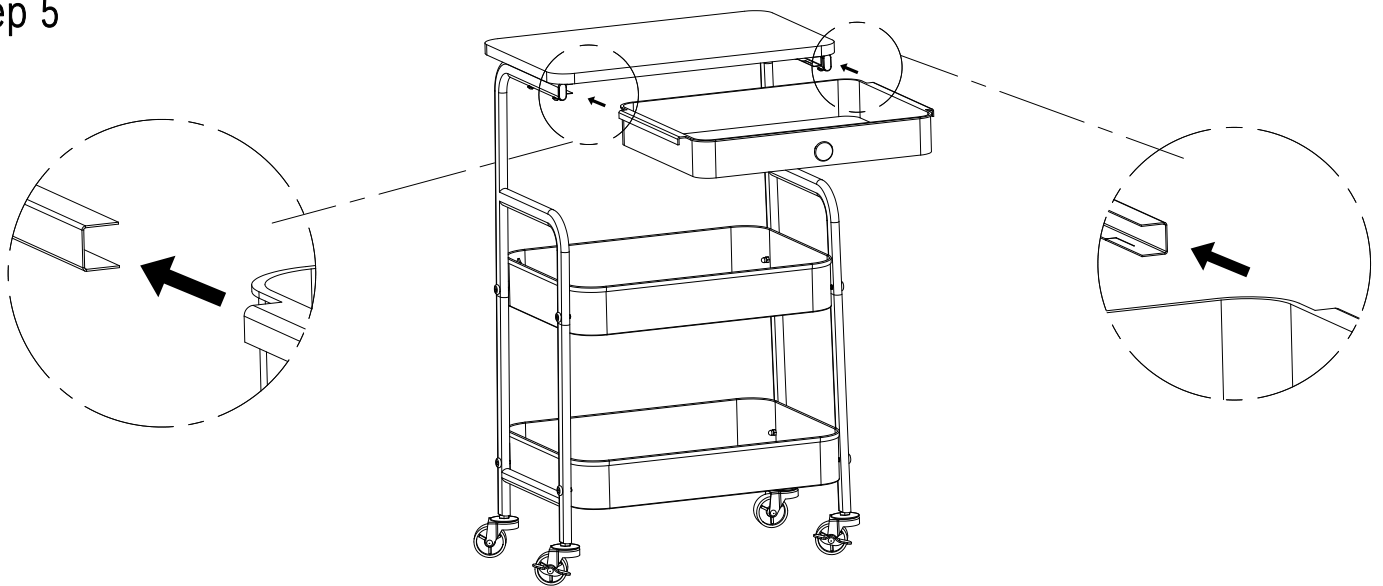
Tools Required



Step 4



Step 5



Step 6

