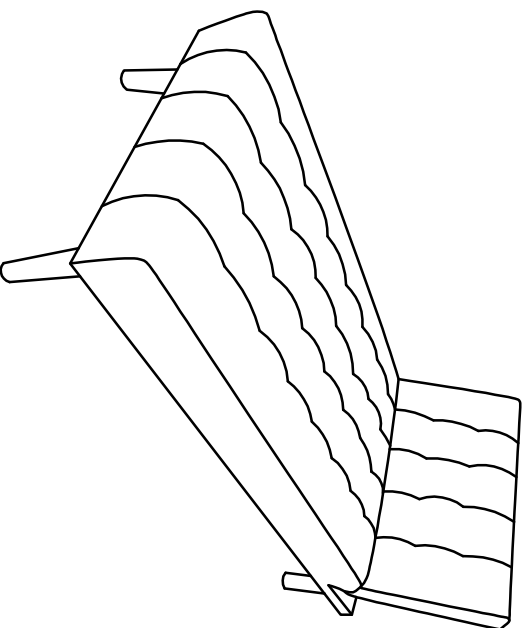
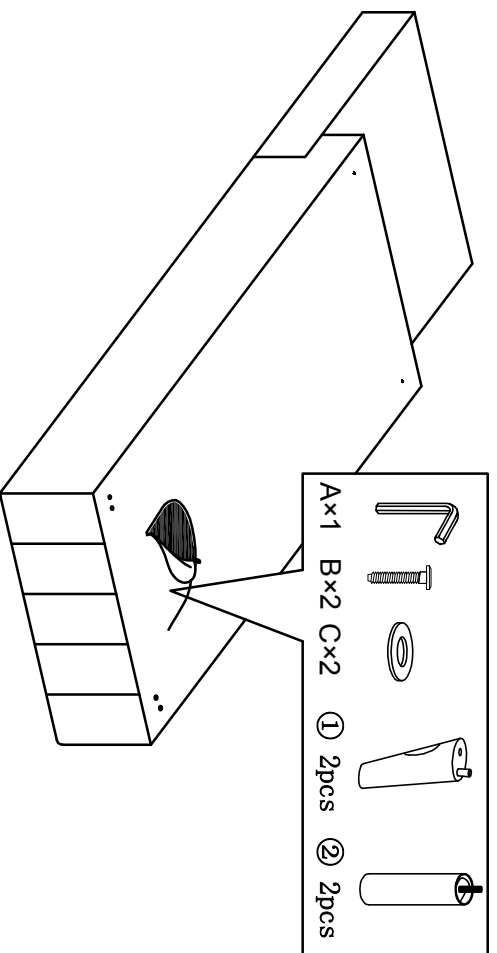


ASSEMBLY INSTRUCTION



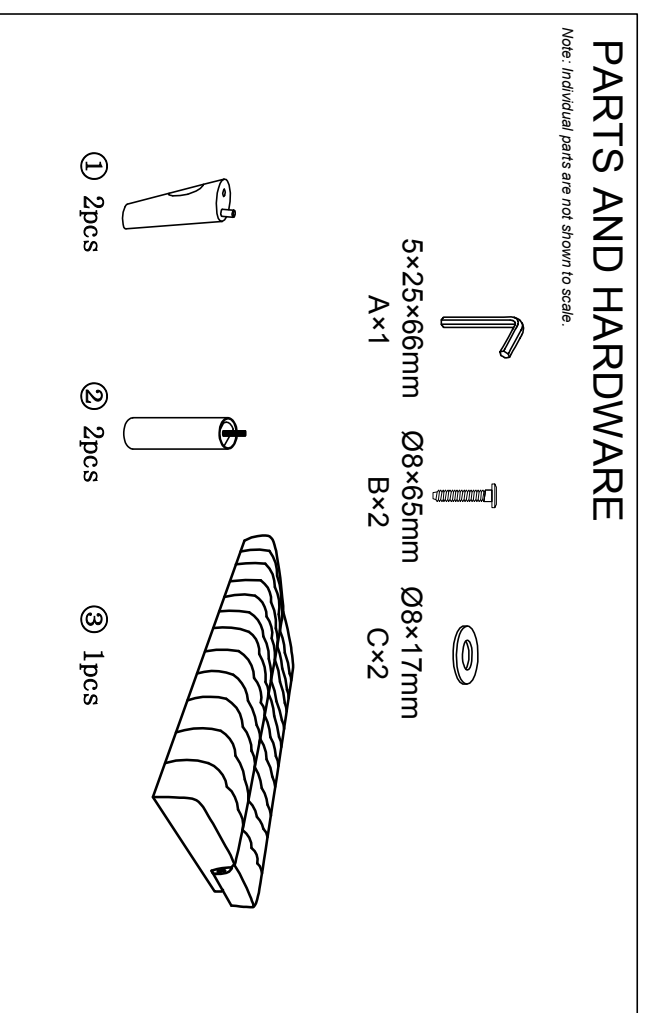
ASSEMBLY INSTRUCTIONS

Step 1

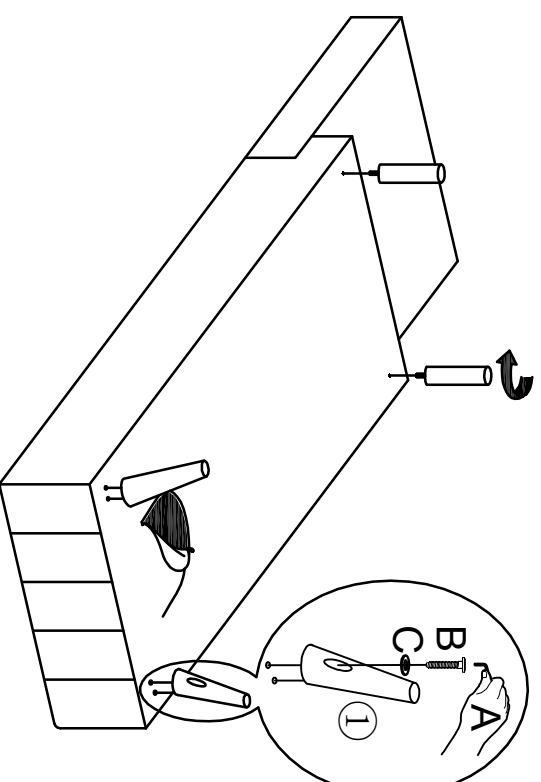


PARTS AND HARDWARE

Note: Individual parts are not shown to scale.

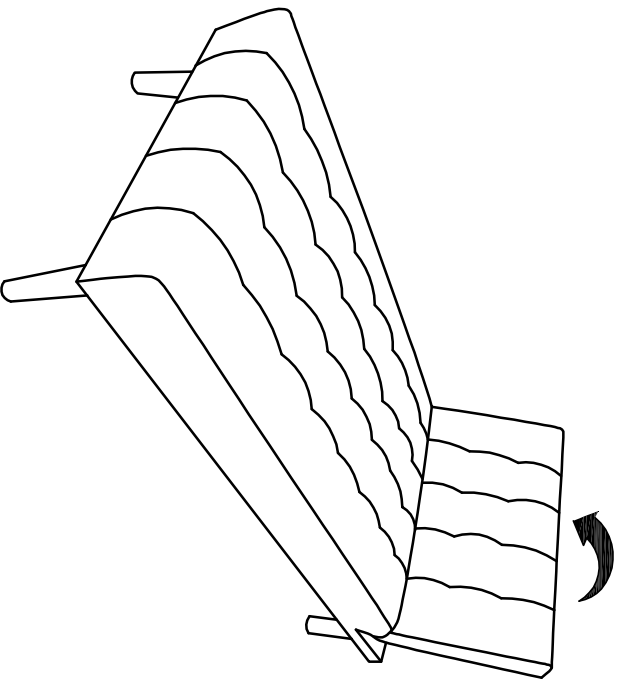


Step 2

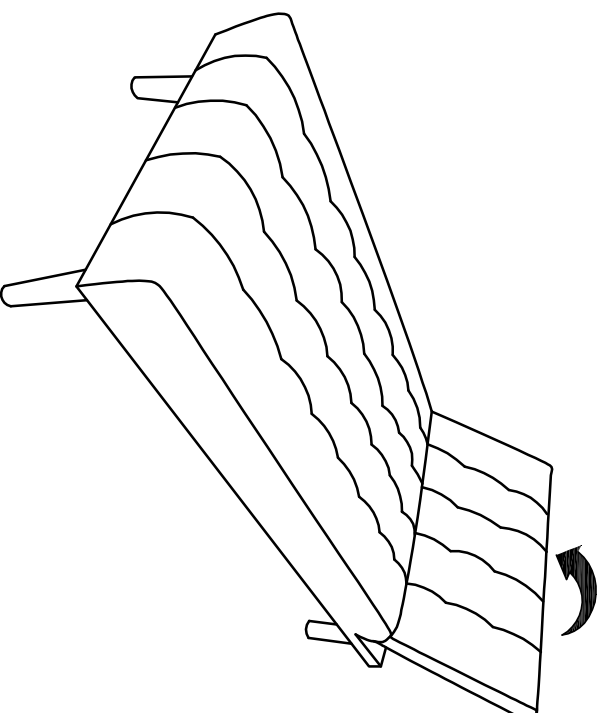


OPERATING YOUR UNIT

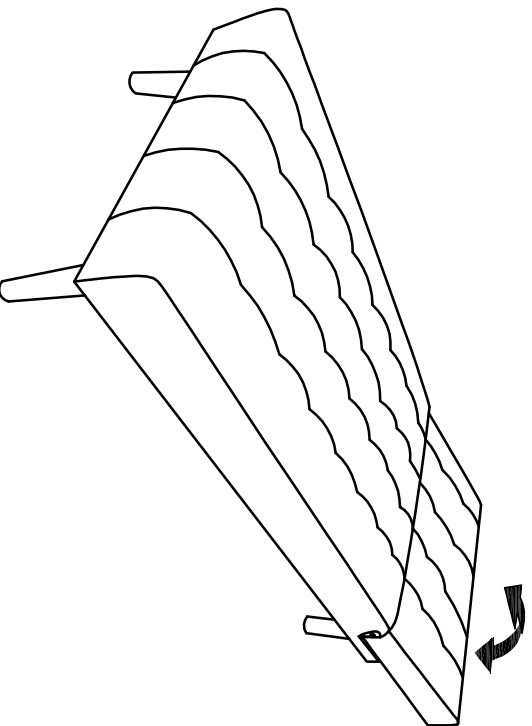
Step 3



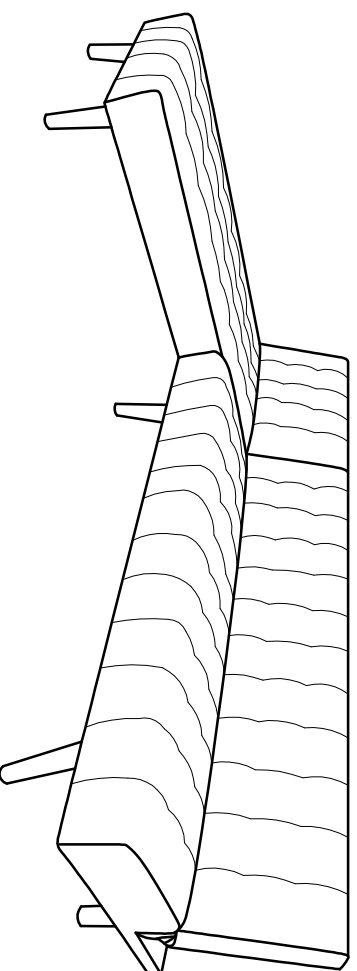
Step 4



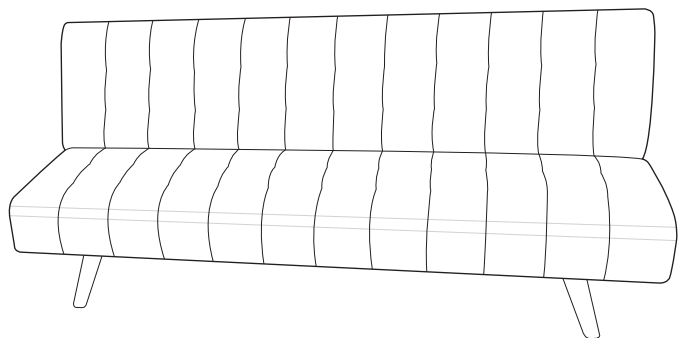
Step 5



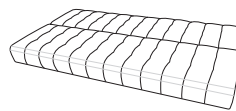
Step 6



ASSEMBLE INSTRUCTION



PARTS:



① 1 pcs



② 2 pcs



③ 2 pcs

HARDWARE:



M5x30x80mm
Ax1

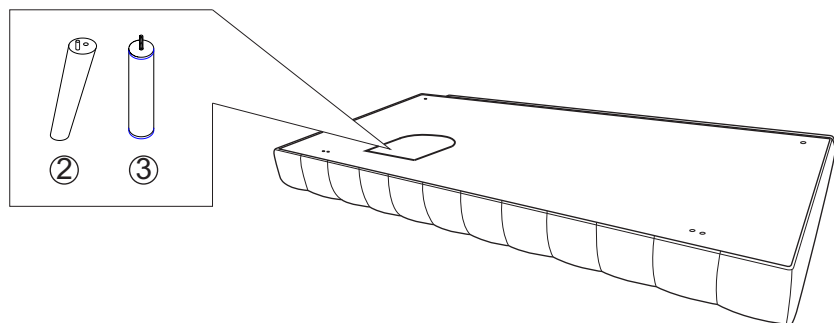


M8x2"
Bx2



M8x19*x1.2mm
Cx2

STEP 1



STEP 2

