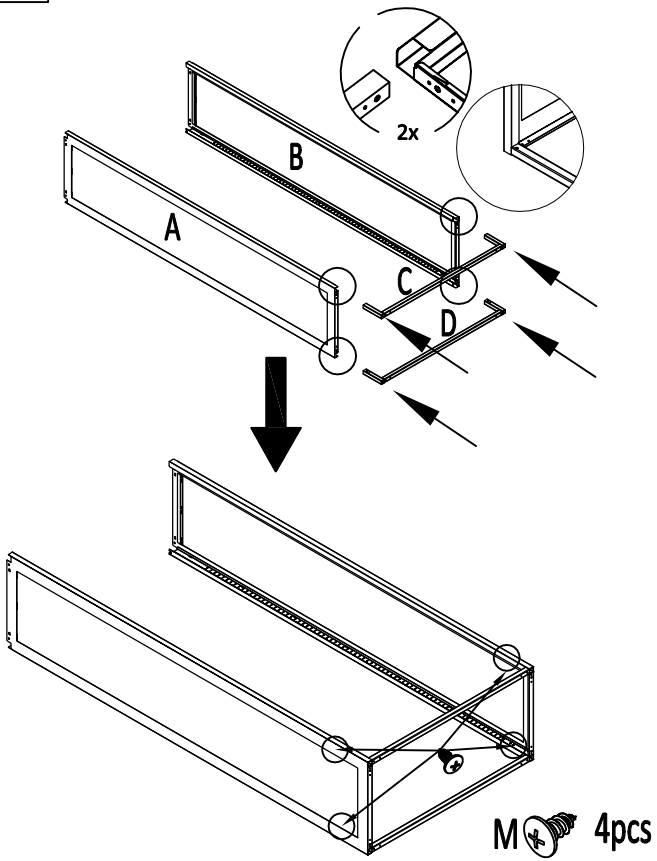


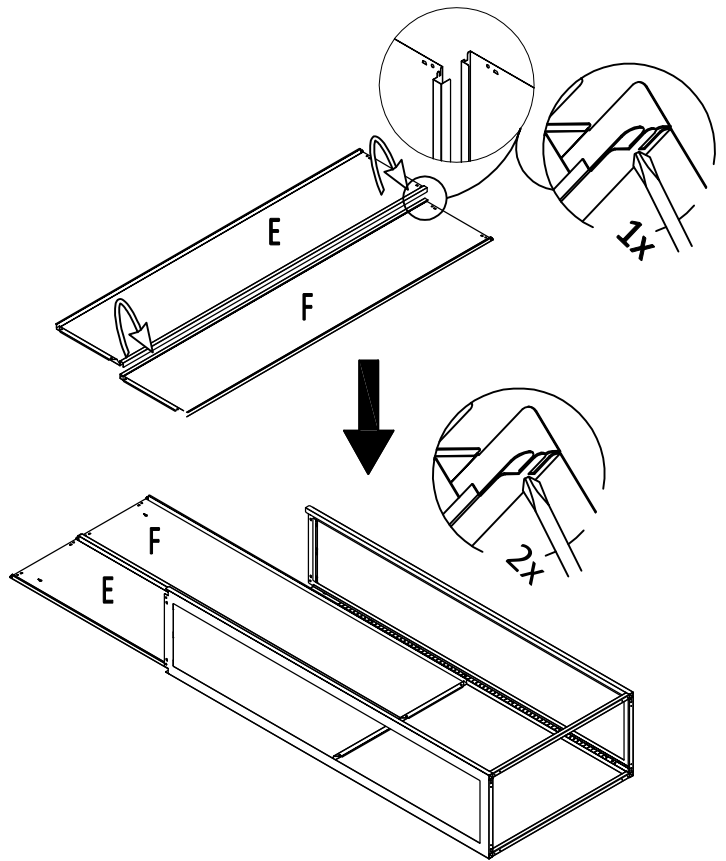
P		2pcs	Q		2pcs	M			20pcs
R		2pcs	S		2pcs	N			16pcs

1

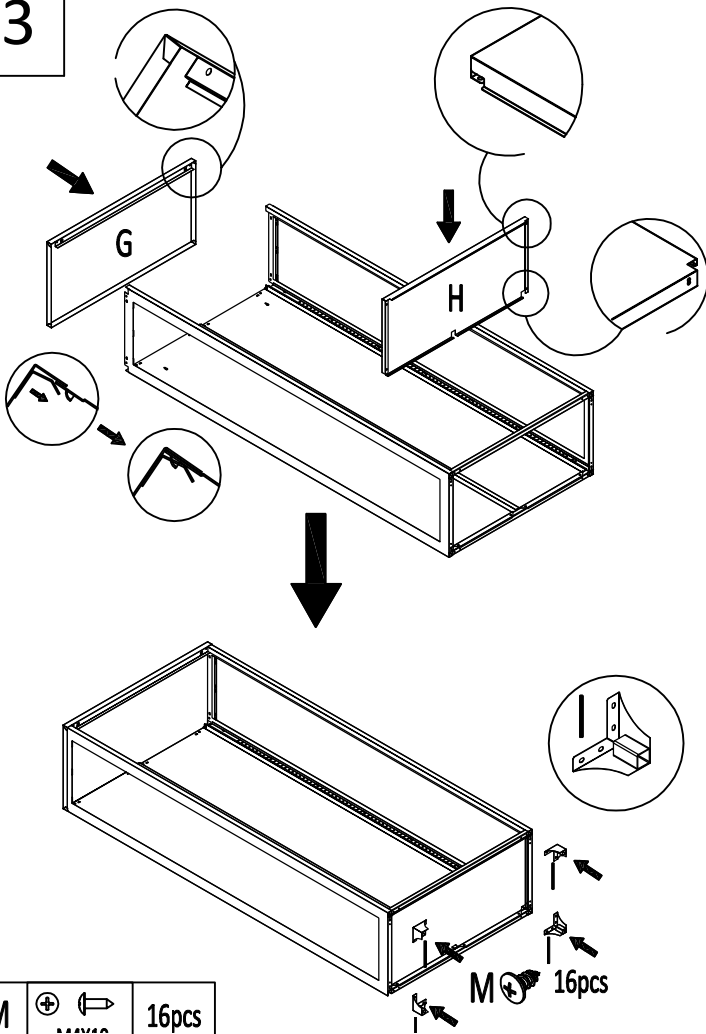


M	+	→	4pcs
			M4X10

2

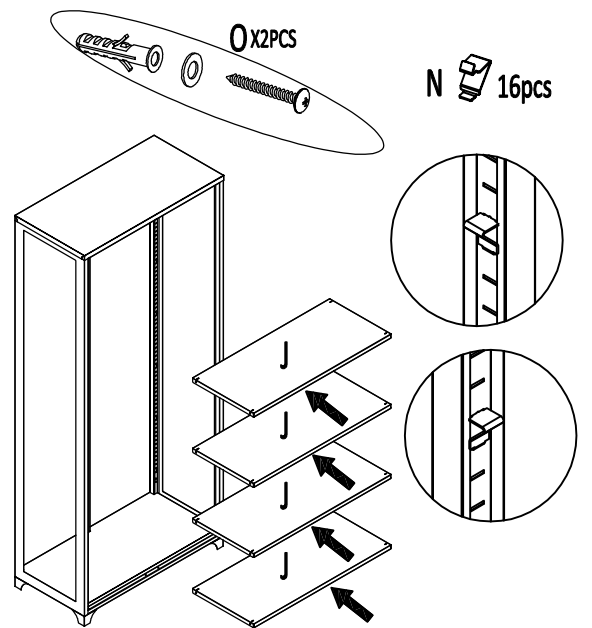


3

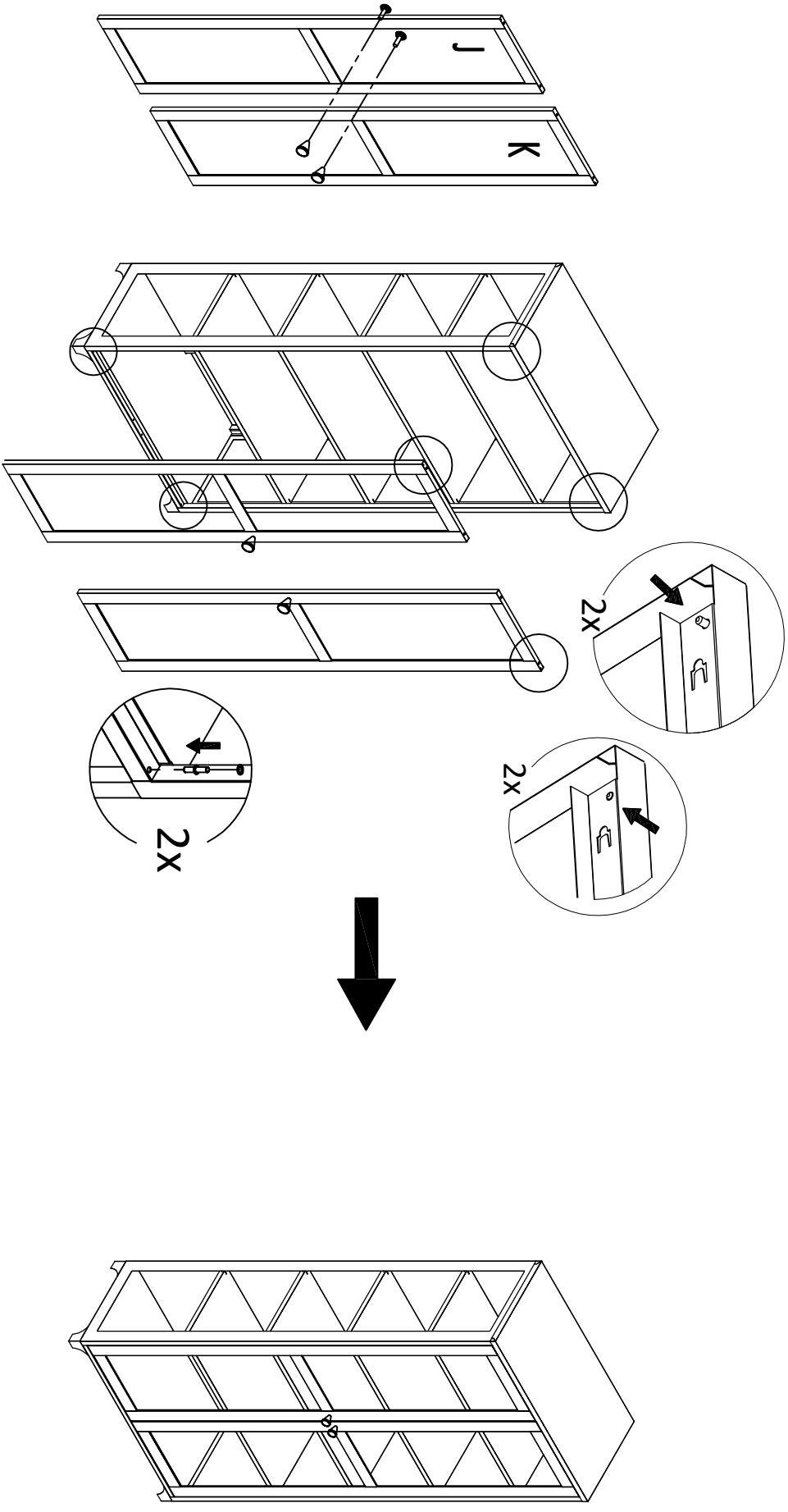


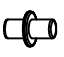




M	+	→	16pcs
			M4X10

4



N	→	16pcs



P		2pcs	Q		2pcs
R	 	2pcs	S		2pcs
	MAX22				