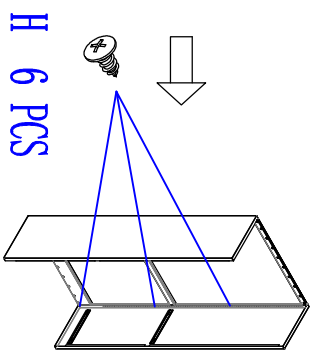
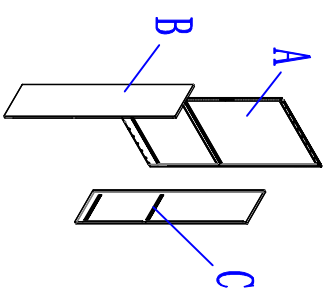
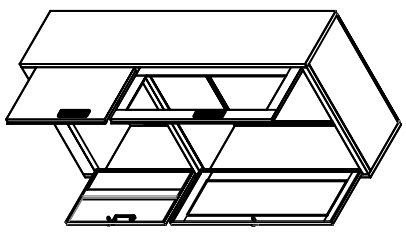
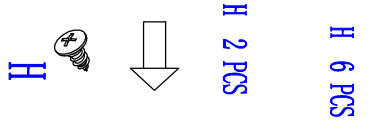
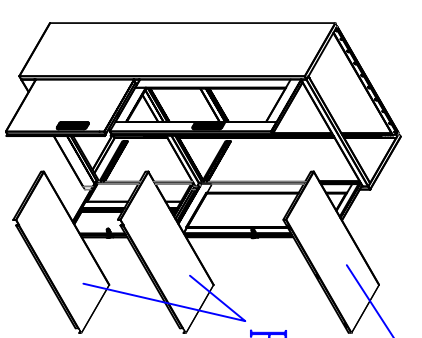


Packing List

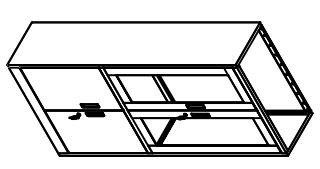
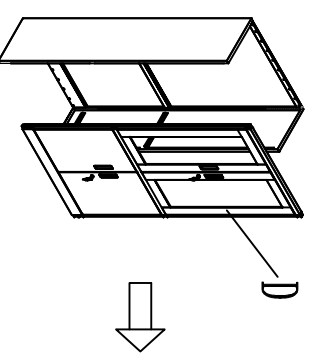
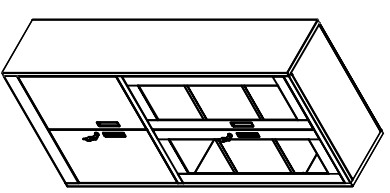
Name	Quantity	Name	Quantity
A	1	F	2
B	1	G	3
C	1	H	15
D	1	I	12
E	1	J	12



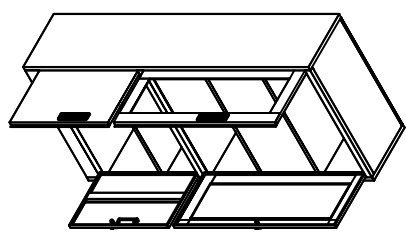
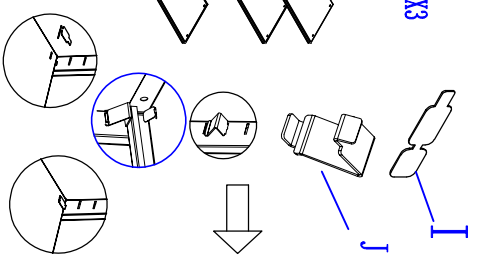
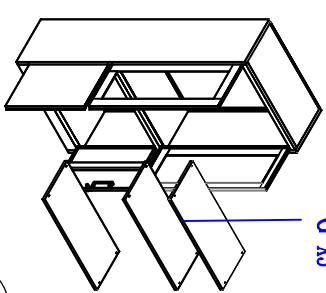
first installing



third installing



second installing



fourth installing