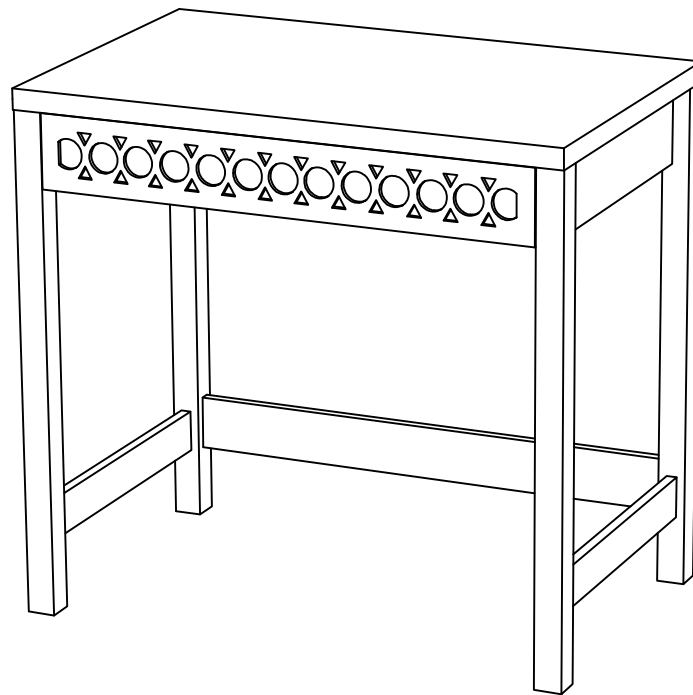


# ASSEMBLY INSTRUCTIONS

Style # HO1408 Desk



## NOTE TO CUSTOMERS:

- For ease and speed of assemble we recommend that before you commence each step of the assembly that you identify all the parts required to complete that step.
- We recommend that where possible you allow sufficient space to assemble the item as close as possible to the place where it will be once assembled.
- For the protection of your furniture we recommend that the product is placed on protected surfaces during assembly to prevent any damage.
- During assembly do not over tighten, as this may damage the product.
- Please ensure you retain all the product packaging until the item completely assembled.
- Please periodically check all fittings and re-tighten as necessary.
- Never allow any liquids to remain on your furniture as absorption can cause the wood to warp or the finish to de-laminate.
- It is recommended that this item should be assembled by two adults.

## To insert a cam lock: (Please read below instructions before assembling)

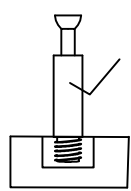
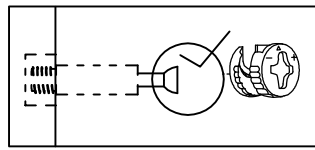


Diagram A



1. Insert cam screw into hole as shown in diagram A .

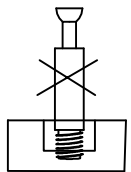
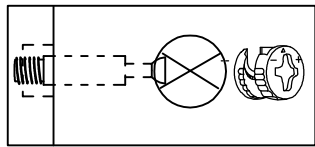


Diagram B



Make sure not to insert the cam screw:  
Too deep as shown in figure B as this will cause the cam screw to be misaligned and unable to interlock properly.

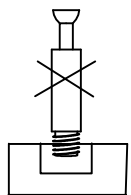
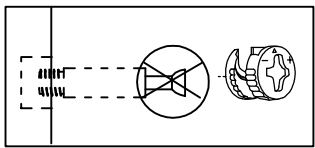
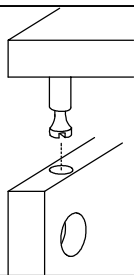


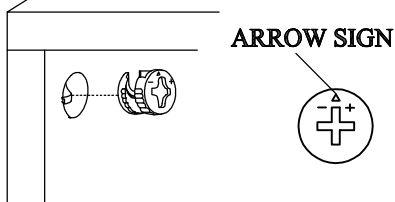
Diagram C



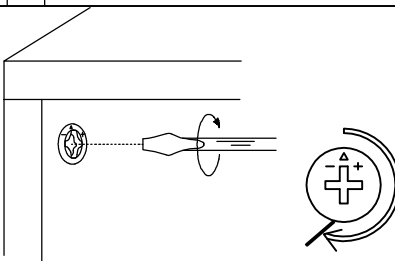
Also avoid inserting the cam screw too close to the surface of the hole as shown in figure C, as this will cause the cam lock to be too loose, and not interlock properly.



2. Connect the panels together.



3. When inserting the cam lock make sure the arrow of the cam lock faces the cam screw.



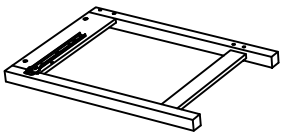
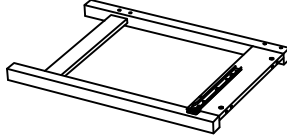


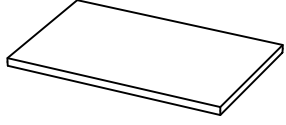
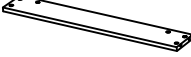
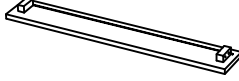

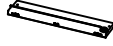


4. To tighten the cam lock turn the cam lock clockwise 90-180 degree or until the arrow is facing opposite the place cam lock was inserted.

**NOTE: DO NOT USE AN AUTOMATIC SCREWDRIVER TO TIGHTEN CAM LOCKS.**

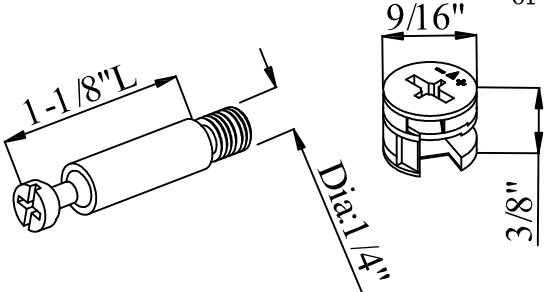
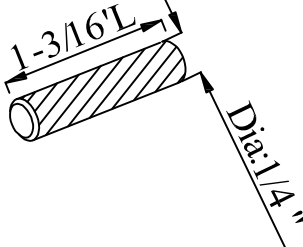
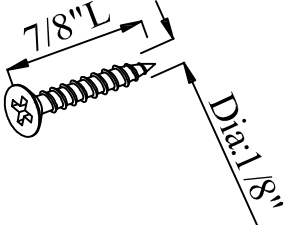
### Note:

- Read these instructions carefully before assembling.
- Tools required : Phillips screwdriver, flat screwdriver.
- Find a clean, smooth area on which to work , such as a carpet, in order to avoid scratching the wood surfaces.
- Wait to dispose of the packing material until assembly is complete and all parts and hardware are accounted for.
- Two or more people might be required for assembly.



# Part List

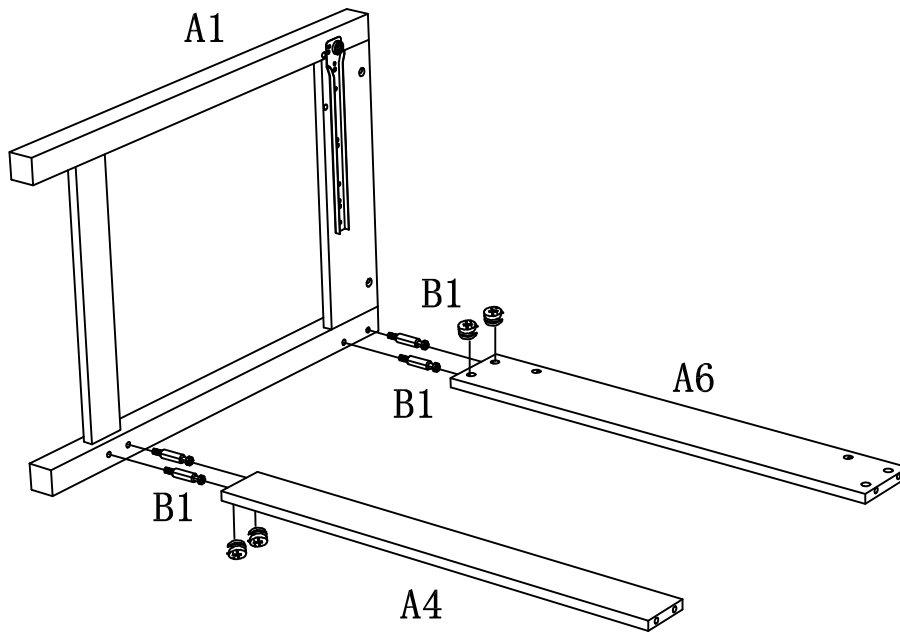
<p>A1. Quantity of 1</p>  <p>Left Frame</p>	<p>A2. Quantity of 1</p>  <p>Right Frame</p>	<p>A3. Quantity of 1</p>  <p>Shelf Panel</p>	<p>A4. Quantity of 1</p>  <p>Lower Back Panel</p>
<p>A5. Quantity of 1</p>  <p>Top Panel</p>	<p>A6. Quantity of 1</p>  <p>Upper Back Panel</p>	<p>A7. Quantity of 1</p>  <p>Drawer Front Panel</p>	<p>A8. Quantity of 1</p>  <p>Drawer Left Side Panel</p>
<p>A9. Quantity of 1</p>  <p>Drawer Right Side Panel</p>	<p>A10. Quantity of 1</p>  <p>Drawer Back Panel</p>	<p>A11. Quantity of 1</p>  <p>Drawer Bottom Panel</p>	

# Hardware List

<p>B1. Quantity of 18</p>  <p>Camlock</p>	<p>B2. Quantity of 5</p>  <p>Wood Dowel</p>	<p>B3. Quantity of 8</p>  <p>Screw</p>
--	---	---



# Step 1

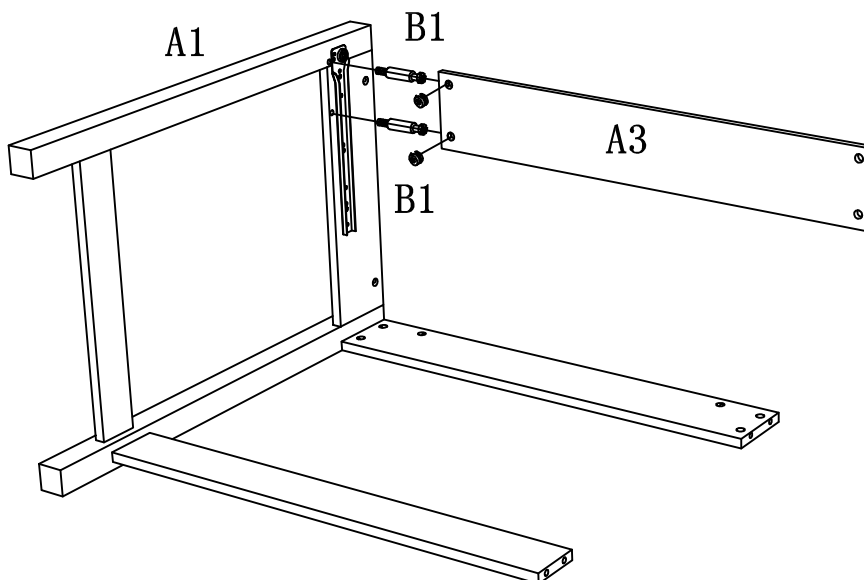
B1:   4SETS



Assemble Upper Back Panel A6 and Lower Back Panel A4 to Left Frame A1 using Camlocks B1.



# Step 2

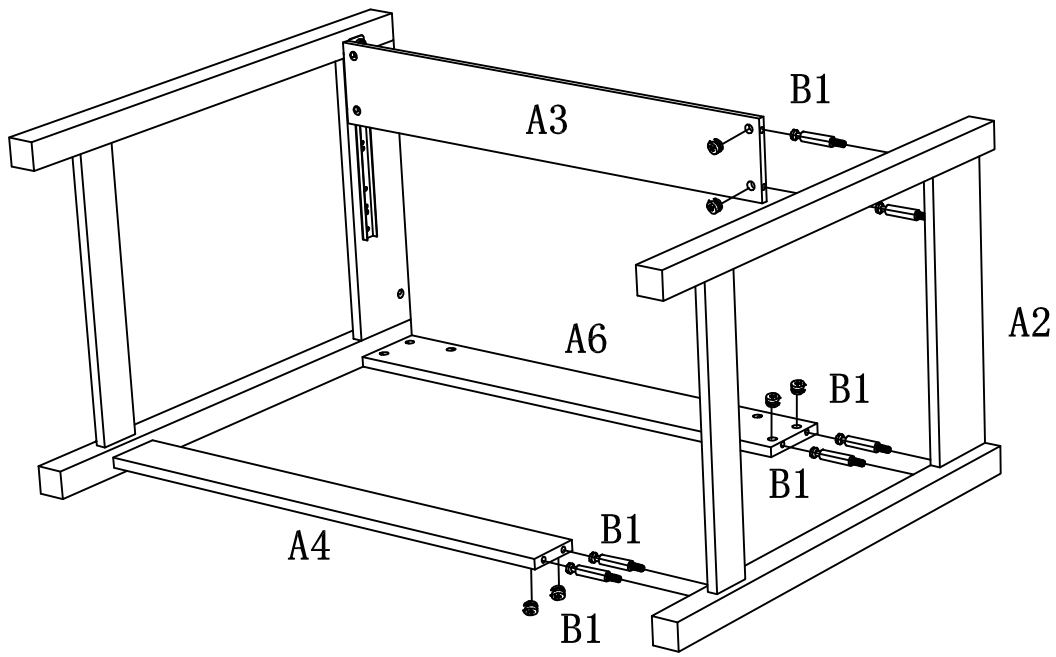
B1:   2SETS



Assemble Shelf Panel A3 to Left Frame A1 using Camlocks B1.




# Step 3

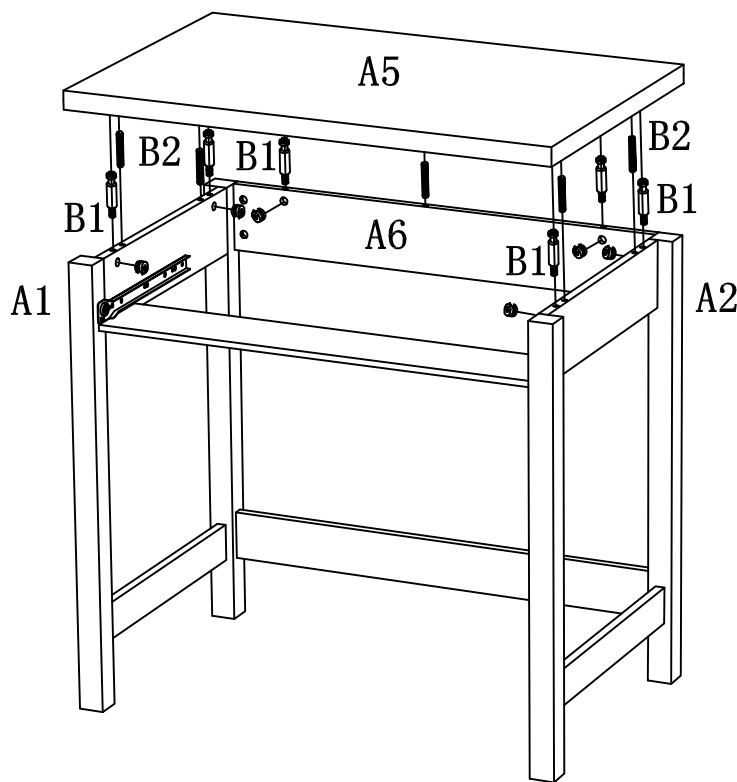
B1:   6SETS



Assemble Right Frame A2 to Shelf Panel A3 and Back Panels A4&A6 using Camlocks B1.

# Step 4

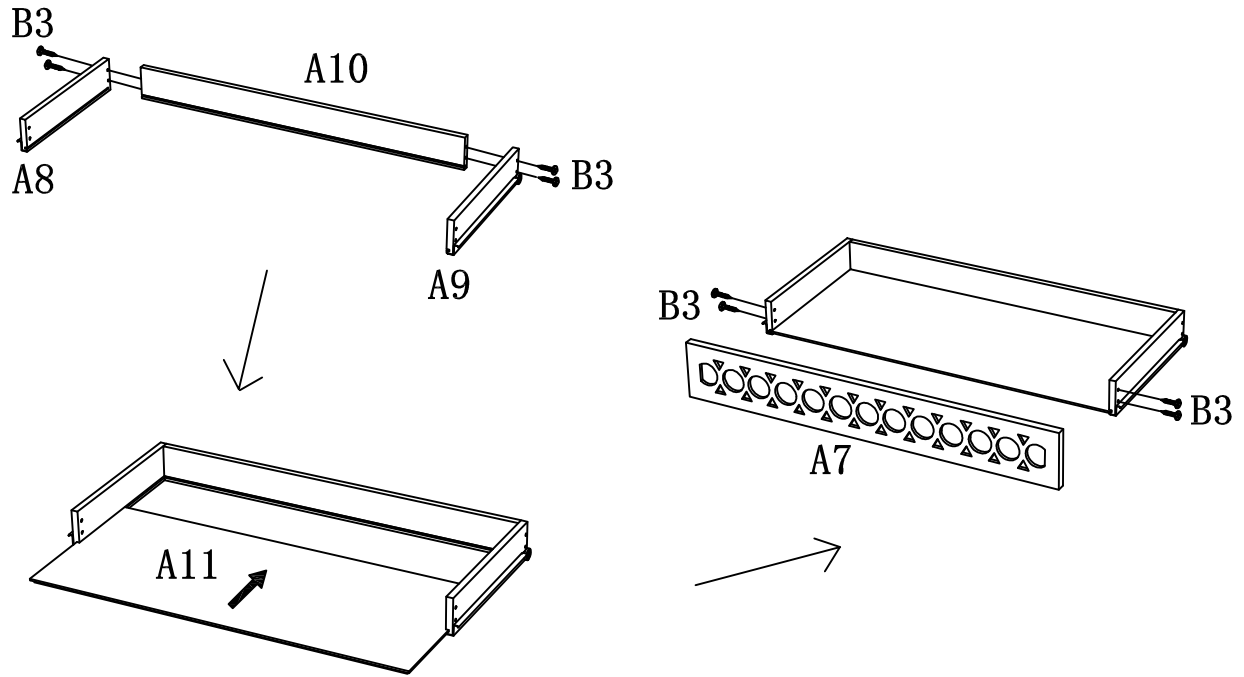
B1:   6SETS  
B2:  5PCS



Attach and tighten Top Panel A5 to Frames A1&A2(L&R) and Back Panels A6 using Camlocks B1 and Wood Dowels B2.

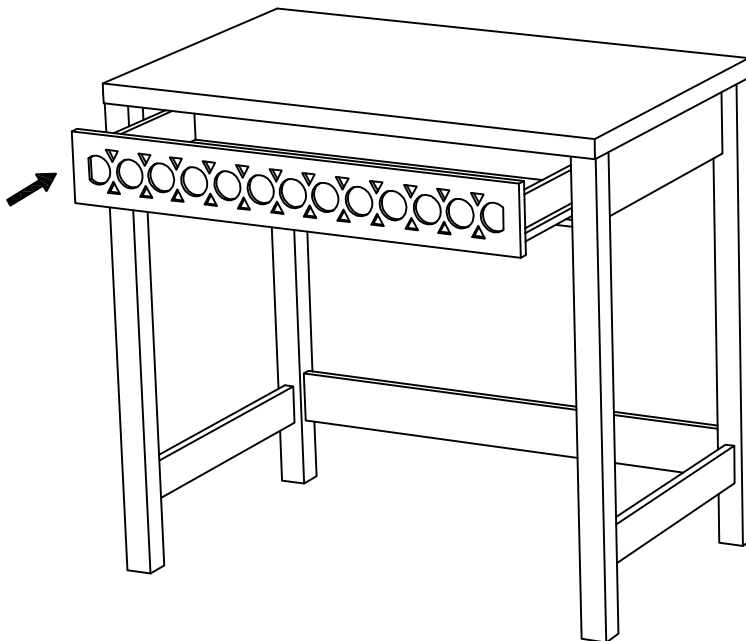
## Step 5

B3:  8PCS



- 1). Assemble Drawer Side Panels A8&A9 (L&R) to Drawer Back Panel A10 using Screws B3.
- 2). Insert Drawer Bottom Panel A11 into the groove of the Drawer Back Panel A10 and Drawer Side Panels A8&A9 (L&R).
- 3). Assemble Drawer Front Panel A7 to Drawer Side Panels A8&A9 (L&R) using Screws B3.

## Step 6



Insert the drawer into this unit as shown above.