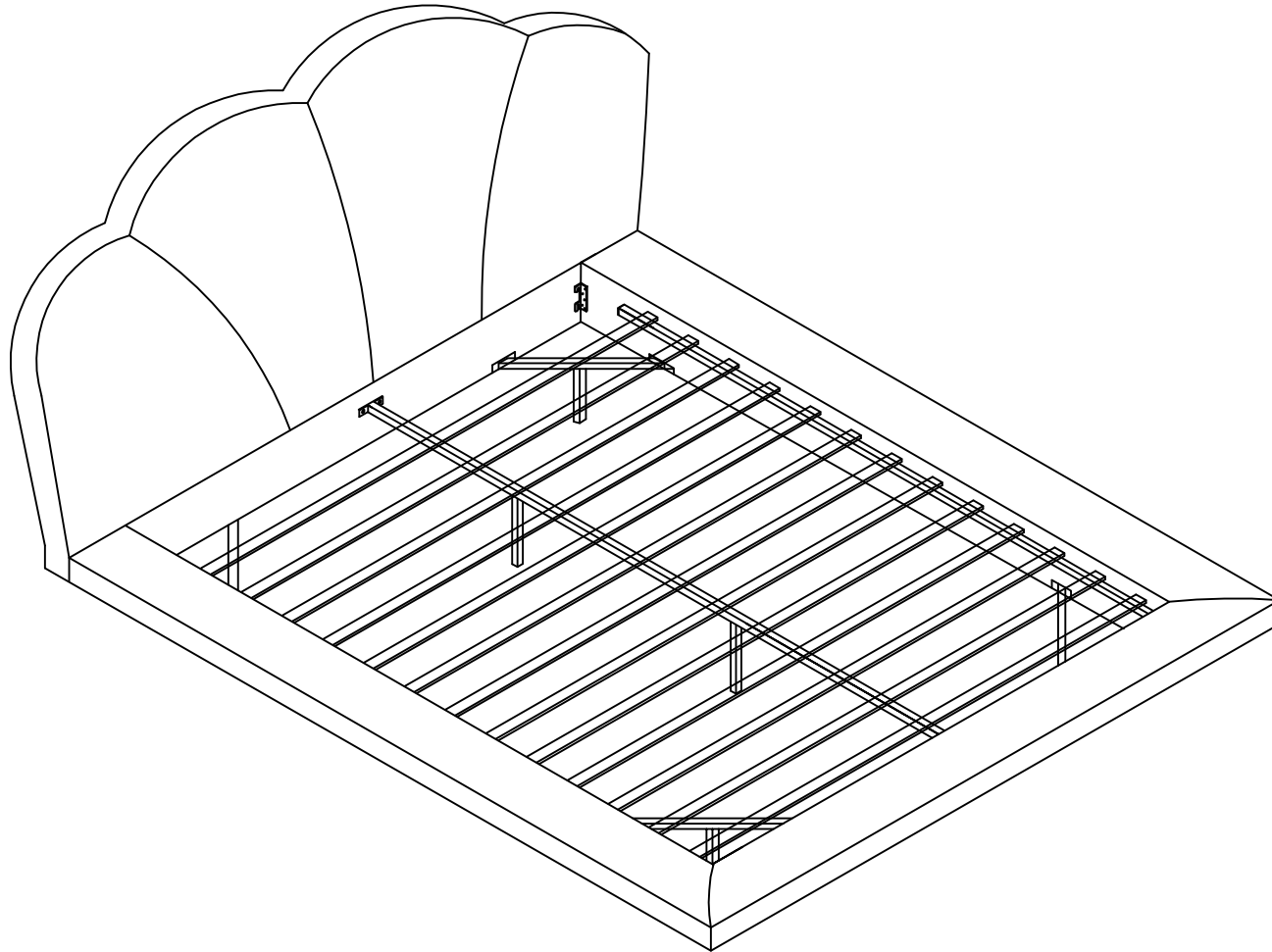

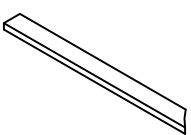
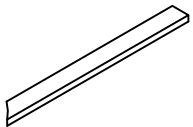


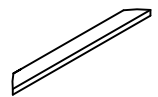
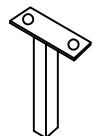
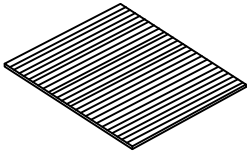
ASSEMBLY INSTRUCTIONS

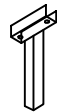
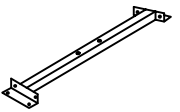

Joleen Bed Frame Queen

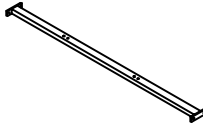

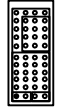


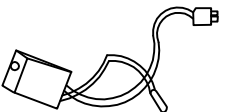

PART LIST

1.Headboard 1pc 	2.Footboard 1pc 	3.Side Rail*1pc 
--	--	---

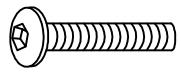
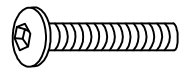
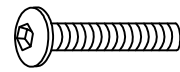
4.Side Rail*1pc 	5.Support Leg *2pcs 	6.Slats*13pcs 
--	--	---

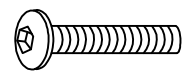

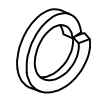
7.Support Leg *4pcs 	8. *4pcs 	9. *2pcs 
--	---	---


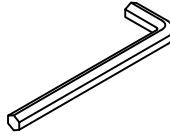
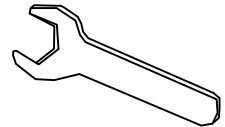
10.Metal Bar 1pcs 	11. 1pcs 	12. 1pcs 
--	---	---

13. 1pcs 	14. 1pcs 
---	---

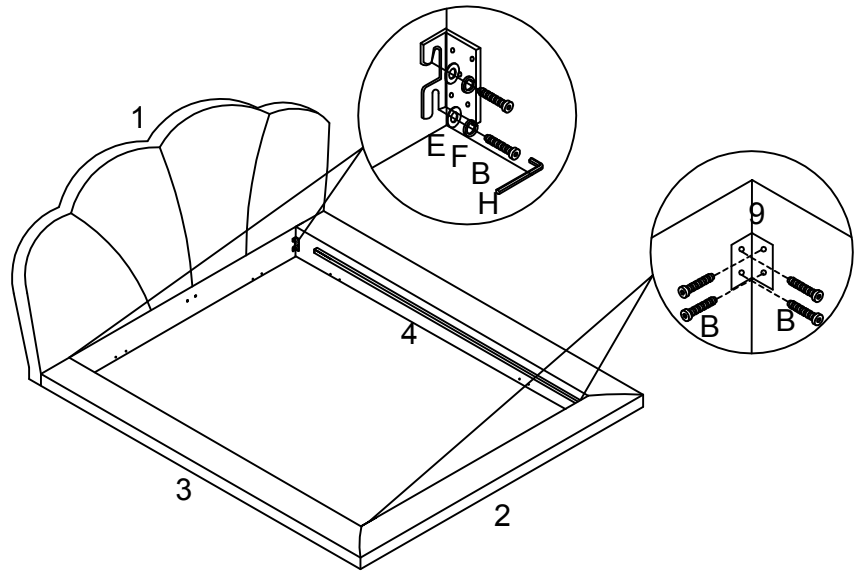
HARDWARE LIST

(A)Bolt M8*25mm*24pcs 	(B)Bolt M8*30mm*16pcs 	(C)Bolt M8*35mm*4pcs 
--	--	---

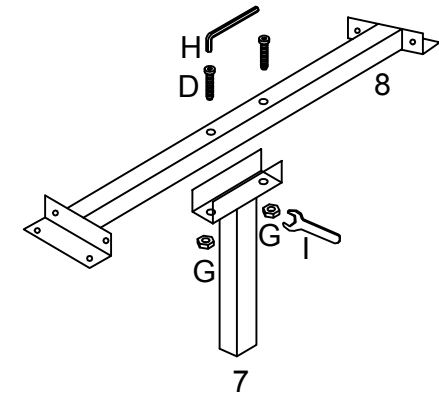
(D)Bolt M8*40mm*8pcs 	(E)Flat Washer *4pcs 	(F)Spring Washer*4pcs 
---	---	--

(G)Nut M8*12pcs 	(H)Allen Key M5*1pc 	(I)Spanner *1pc 
--	--	--

1



2

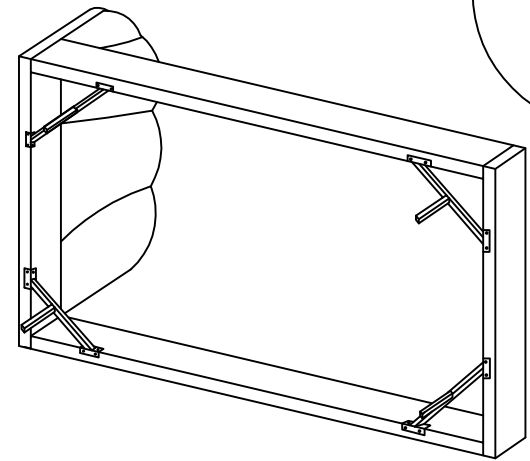
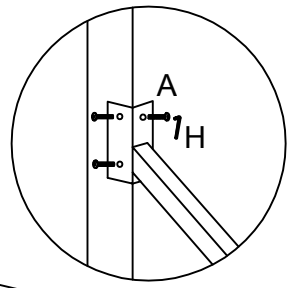


X4

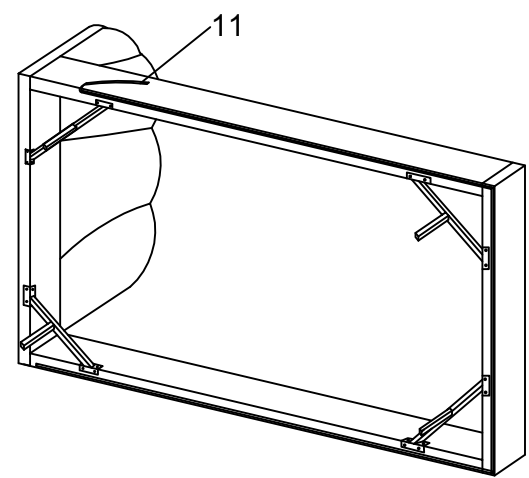
3



Please seek assistance when turning the bed over and secure supporting legs

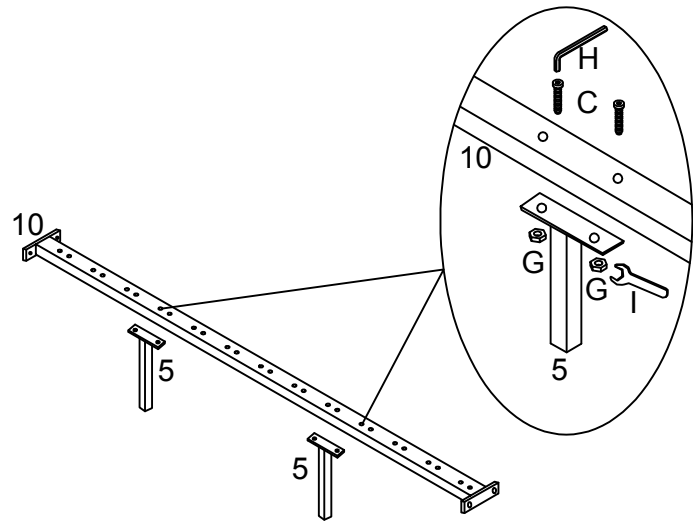


4

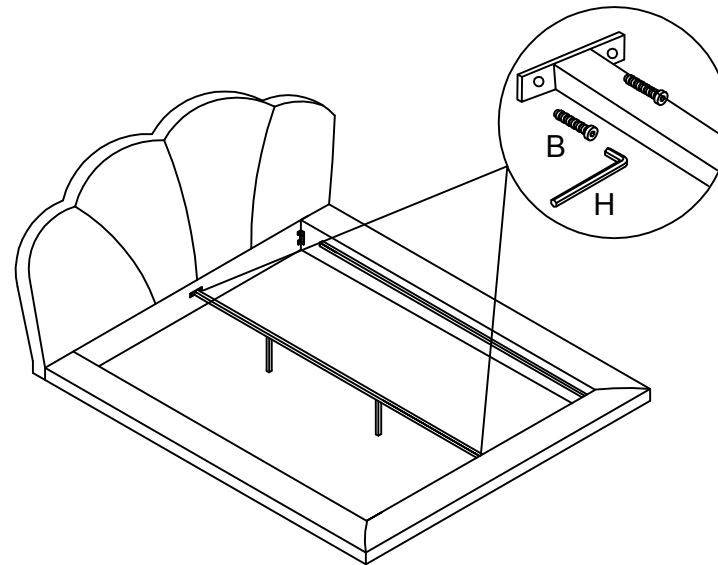


3

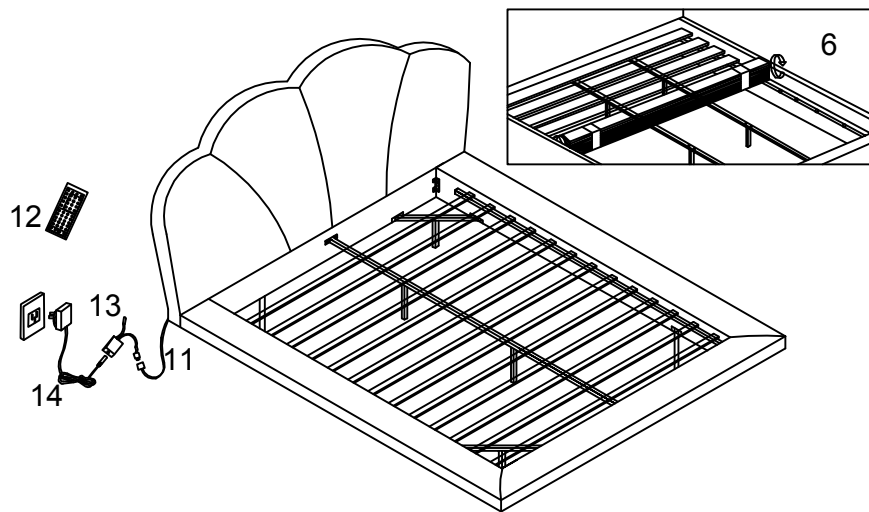
5



6



7



8

