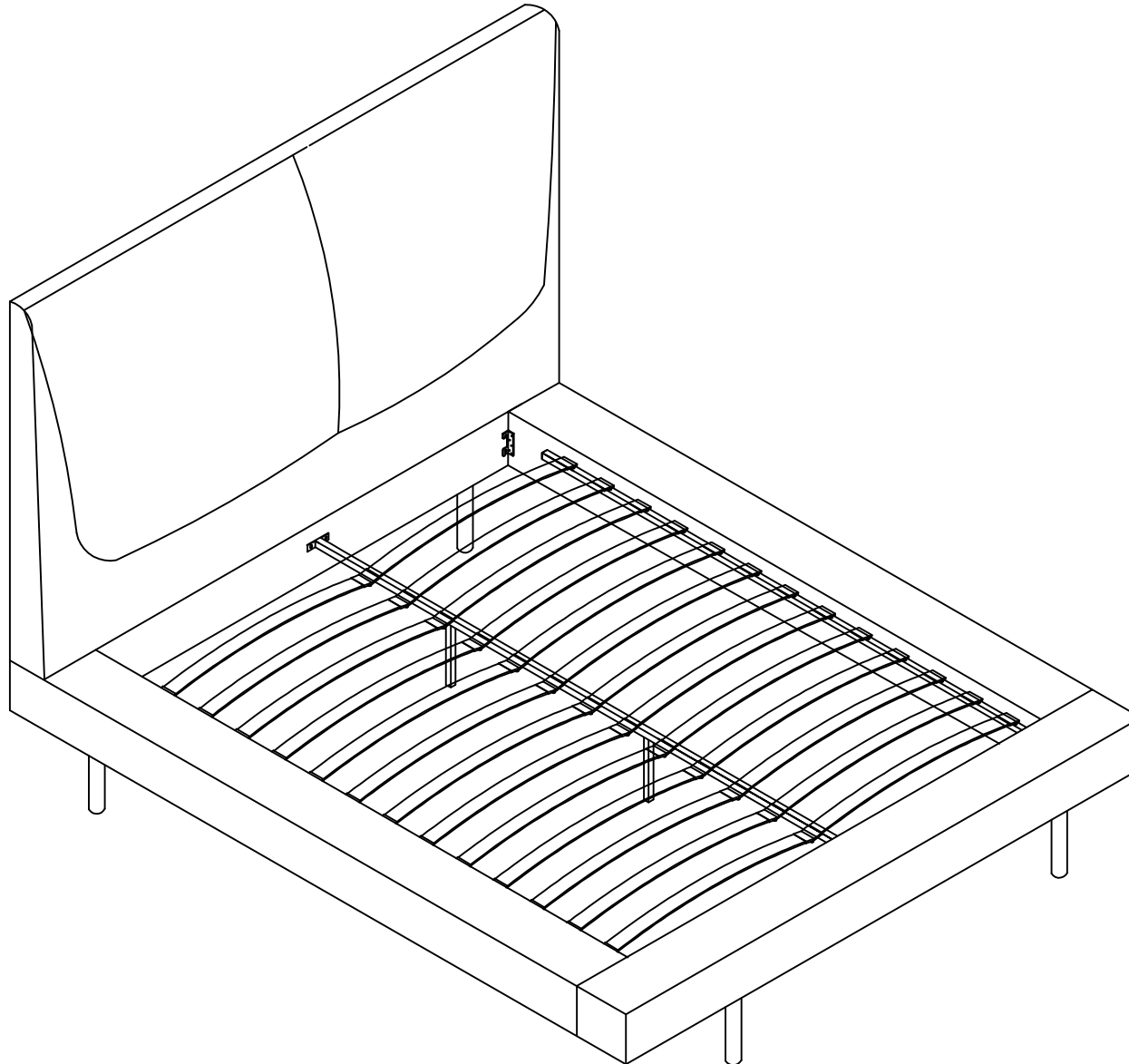
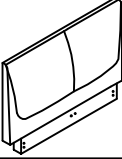
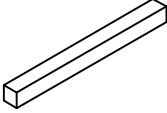


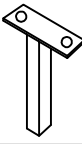
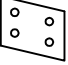
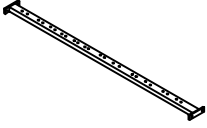
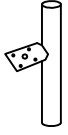






ASSEMBLY INSTRUCTIONS

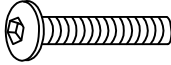
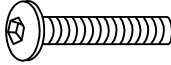



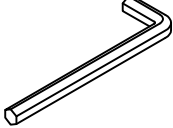
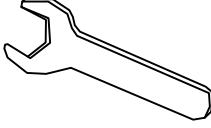
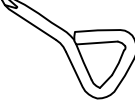
Rowina Bed Frame Queen



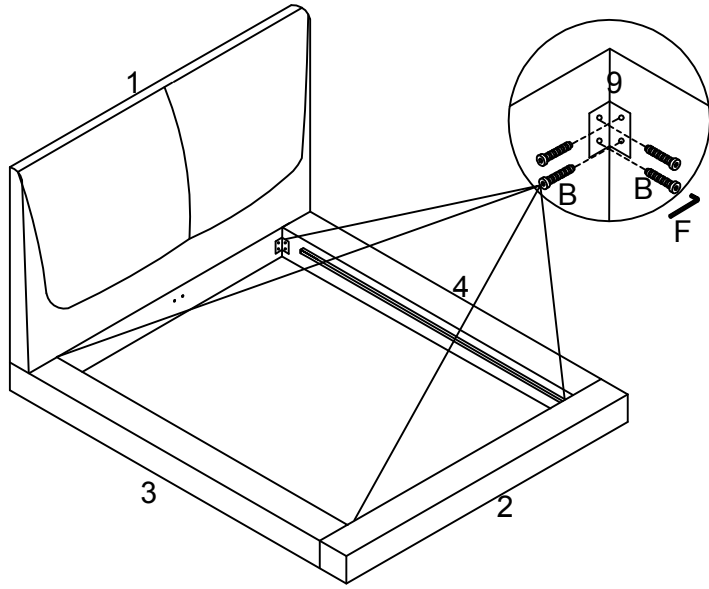
PART LIST

1.Headboard 1pc 	2.Footboard 1pc 	3.Side Rail*1pc 
4.Side Rail*1pc 	5.Support Leg *2pcs 	6. 2 pcs 
7.Metal Bar 1pcs 	8.Leg*4pcs 	9. *4pcs 
10.Double Plastic Cap*13pcs 	11.Slats*26pcs 	12.Single Plastic Cap*26pcs 

HARDWARE LIST

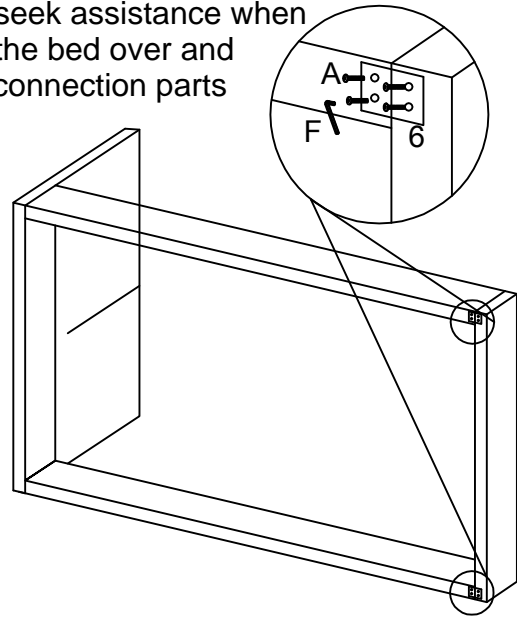
(A)Bolt M8*25mm*8pcs 	(B)Bolt M8*30mm*24pcs 	(C)Bolt M8*35mm*4pcs 
(D)Bolt M4*25mm*16pcs 	(E)Nut M8*4pcs 	(F)Allen Key M5*1pc 
(G)Spanner *1pc 	(H) X1 	

1

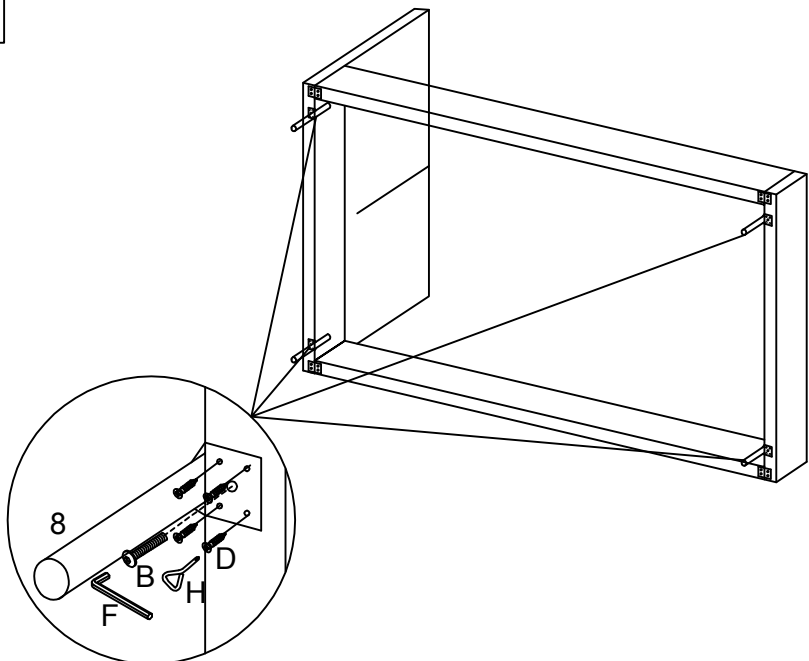


2

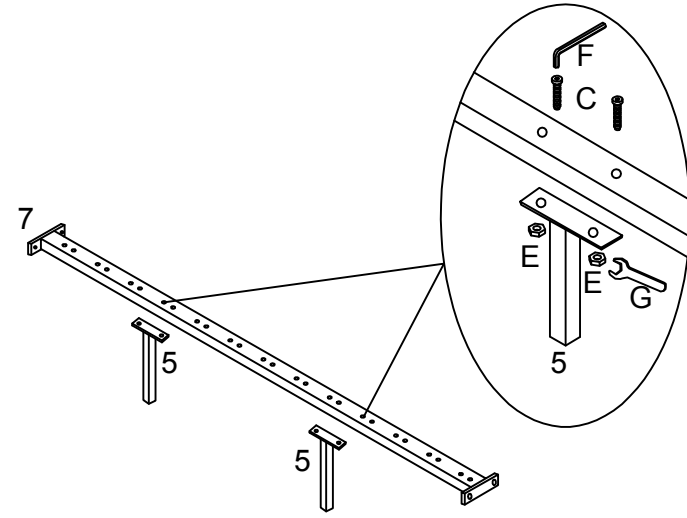
Please seek assistance when turning the bed over and secure connection parts



3

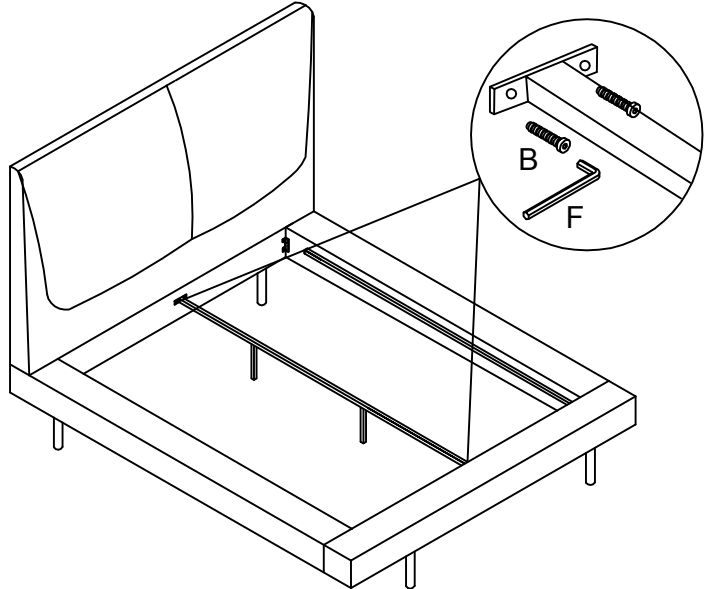


4

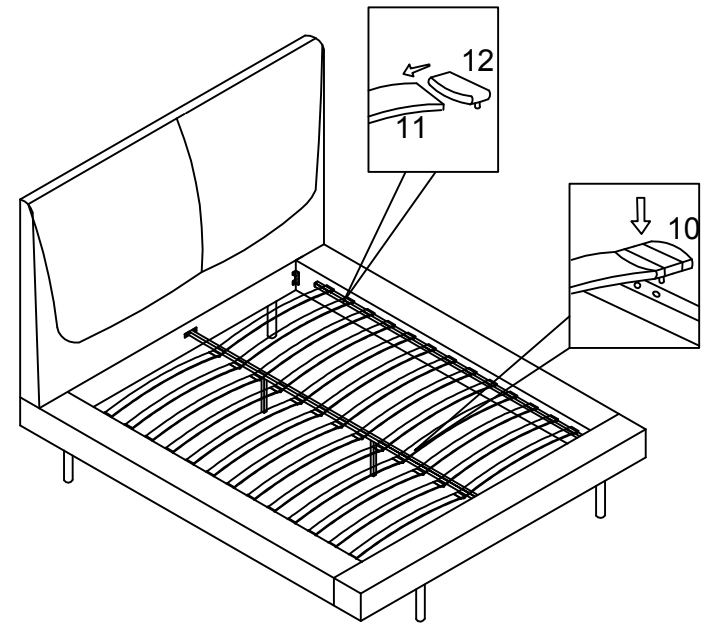


3

5



6



7

