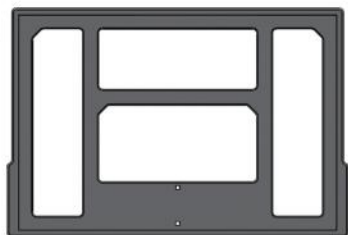


**PORTABLE BASKETBALL HOOP
MANUAL**

S018K



ACCESSORIES LIST



1

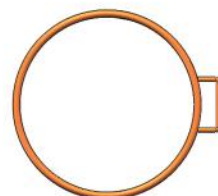


10pcs

2



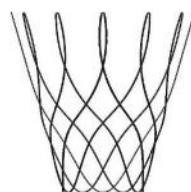
3



4



5



6



7



8



9



10



11



M8*30

12



Y



X



W



M6*50

13



M6*45

14



M6*16

15

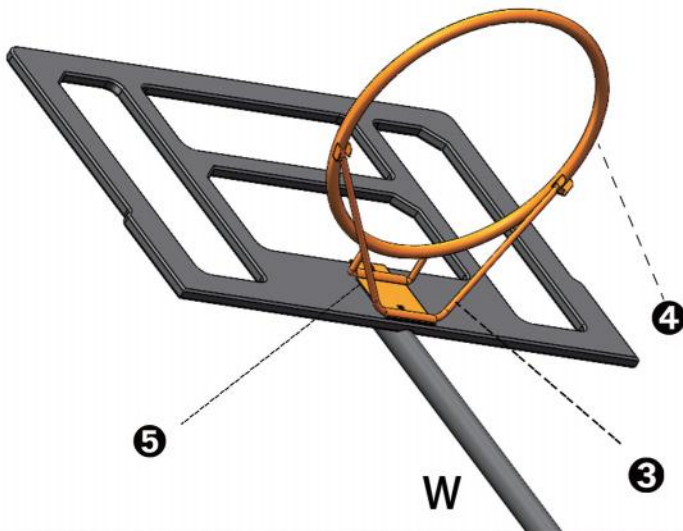
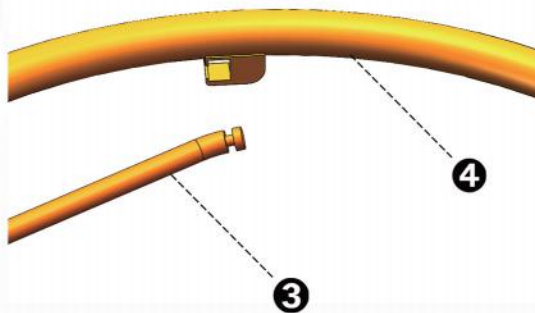
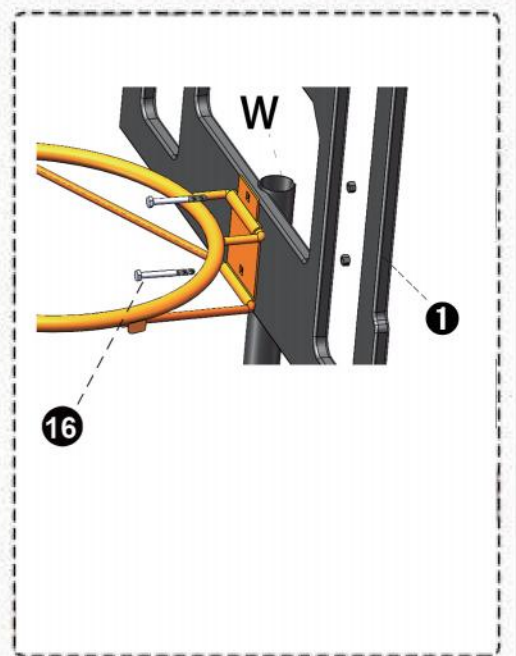
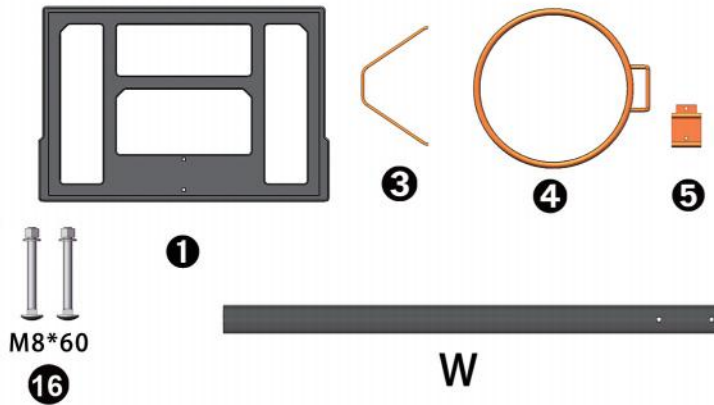


M8*60

16

INSTALLATION STEPS

Needed Parts



Insert ③ into slot ④, then insert ③ and ④ into the fixing block (⑤) and press it into the slot. Finally, attach the fixing block (⑤) to the backboard (①) and fix it to the backboard (①⑥) and upper rod (①) with screws (W)

INSTALLATION STEPS

Needed Parts



7



8



9



11



10



12



Y



X



M6*50

13



M6*45

14



M6*16

15

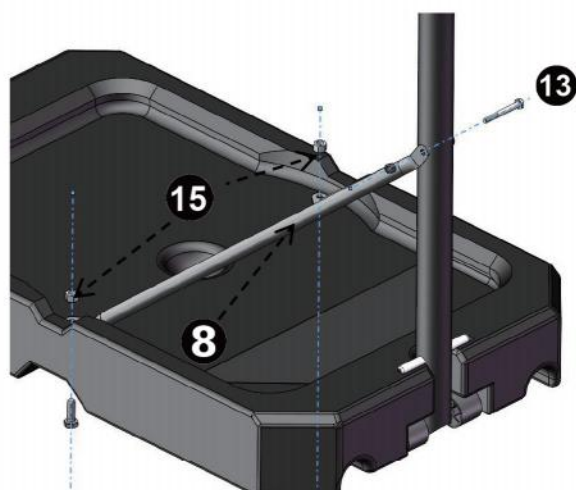
1



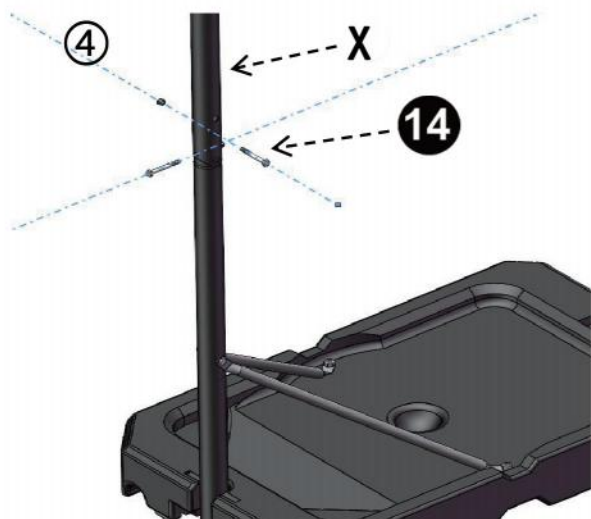
2



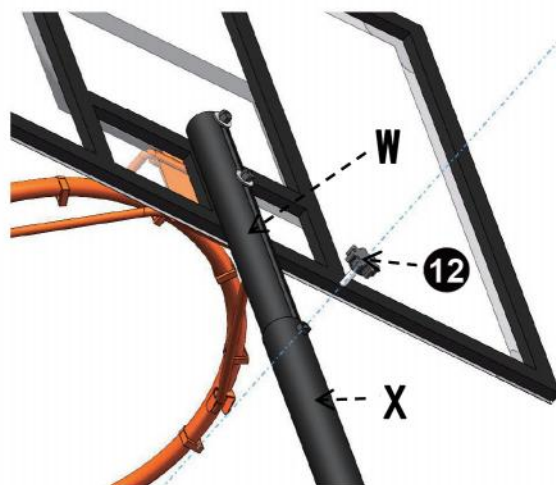
3



4



5



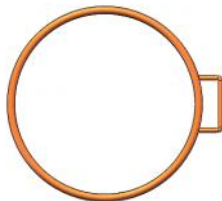
INSTALLATION STEPS

Needed Parts



10pcs

②



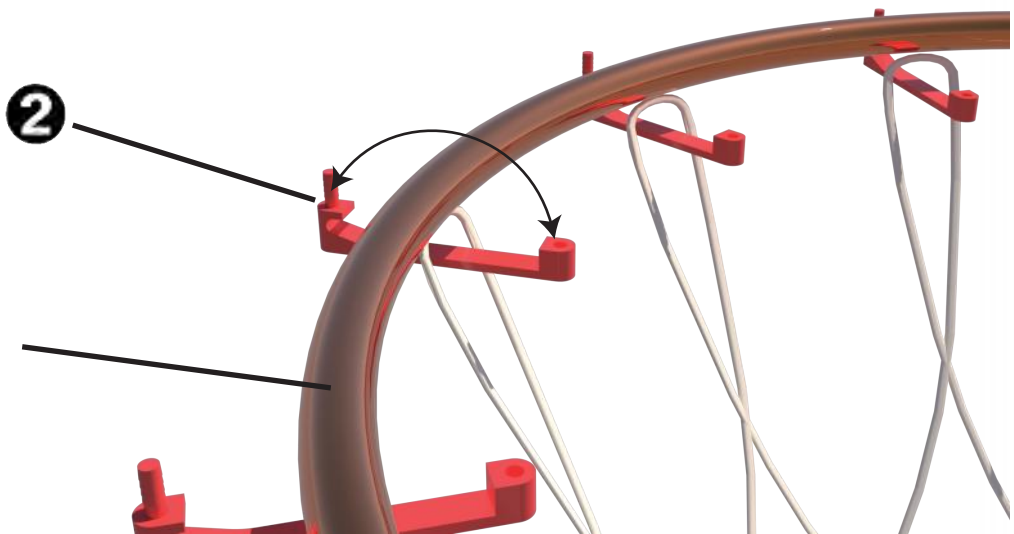
④



⑥

①

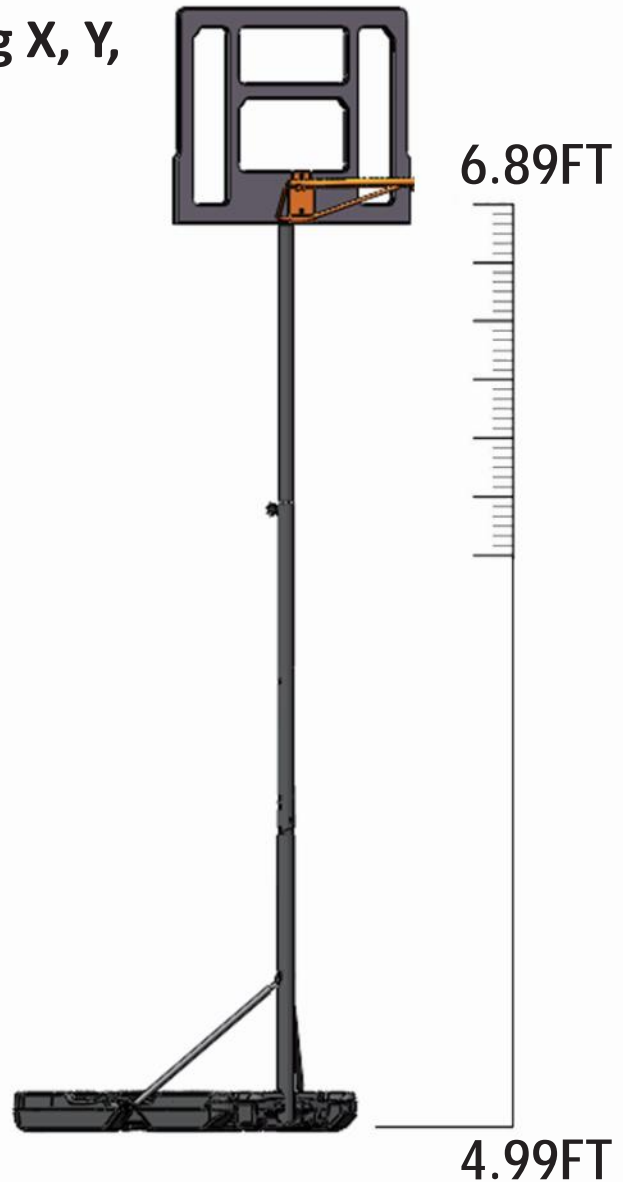
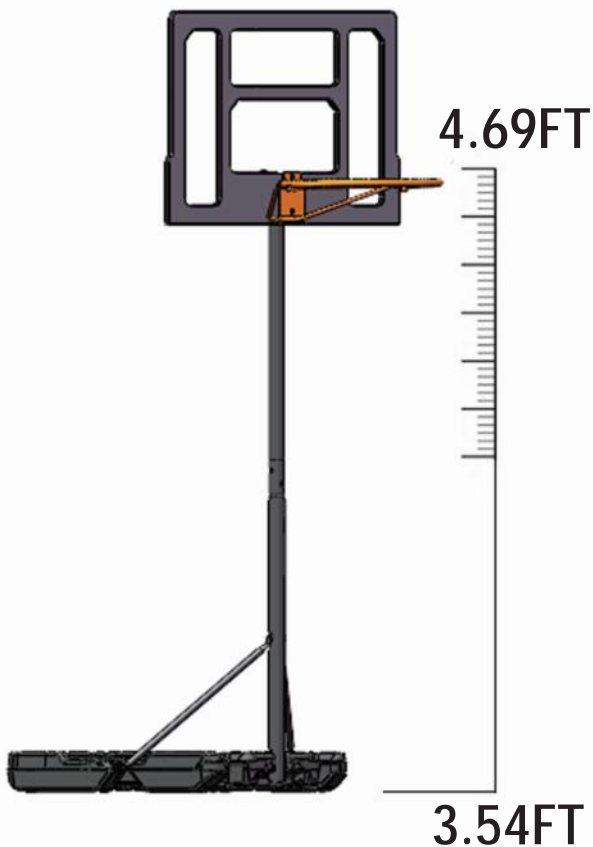
Fix ⑥ onto ④ with ②



INSTALLATION STEPS

FINAL INSTALLATION

When using X and W tubes, the lifting height is 108-143cm; When using X, Y, and W tubes, the lifting height is 152-210cm



BASKETBALL HOOP DISPLAY

FINAL INSTRUCTIONS



- Please use the pole that comes with the product
- **Note:** The adjustable height of the basketball hoop is 1.08-2.10m
- Before use, fill the base with water or sand