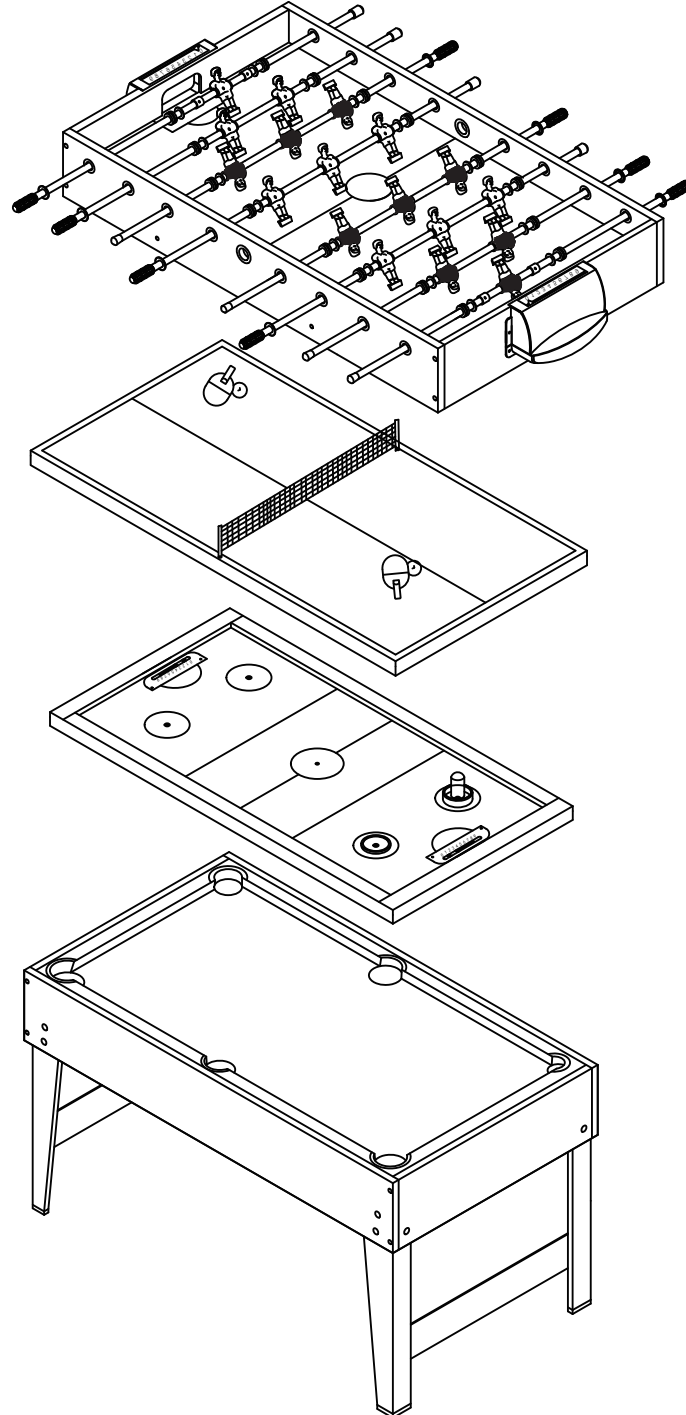


TABLE SOCCER

Model#SOCCER-4T-121-4IN



.Assembly Instructions

.Parts List

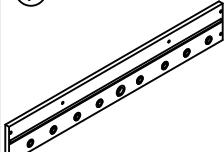
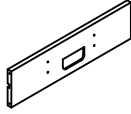
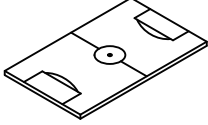

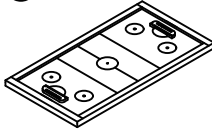
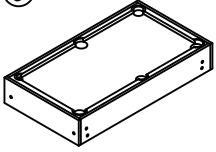


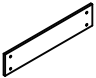








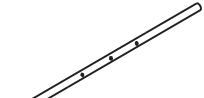
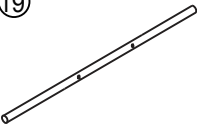



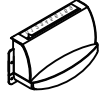

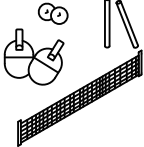



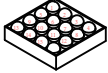







WARNING Choking Hazard--Toy contains small balls and/or small parts. Not for children under 3 years.

IMPORTANT!

Please Keep Your Instructions Before attempting assembly, please read through this instruction book to familiarize yourself with all the parts and assembly steps. We recommend that two adults assemble this game. Please refer to the Parts List below and be sure that all parts have been included.

PARTS LIST

①  SIDE APRON 2EA	②  END APRON 2EA	③  SOCCER PLAYFIELD 1EA	④  SUPPORT BRACE 2EA	⑤  TT/HOCKEY PLAYFIELD 1EA	⑥  CABINET FOR BILLIARD 1EA
⑦  LEFT LEG 2EA	⑧  RIGHT LEG 2EA	⑨  END LEG BRACE 2EA	⑩  6X30MM BOLT 12EA	⑪  18X6.5MM WASHER 12EA	⑫  3.5X12MM WASHER HEAD SCREW 16EA
⑬  3.5X35MM WASHER HEAD SCREW 12EA	⑭  ALLEN WRENCH 1EA	⑮  PLAYER (YELLOW) 9EA	⑯  PLAYER (RED) 9EA	⑰  3.5X7MM 44EA	⑱  1&3 HOLES PLAYER ROD 6EA
⑲  2 HOLES PLAYER ROD 2EA	⑳  STOP RING 4EA	㉑  HAND GRIP 8EA	㉒  END CAP 8EA	㉓  GOAL BOX 2EA	㉔  SOCCER BALL 2EA
㉕  TABLE TENNIS NET SET 1SET	㉖  HOCKEY PUSHER 2EA	㉗  HOCKEY PUCK 2EA	㉘  FELT PAD 2EA	㉙  BILLIARD BALLS 1EA	㉚  CUE STICK 2EA
⑳  CHALK 2EA	㉛  TRIANGLE 1EA	㉜  BRUSH 1EA	㉝  RUBBER BUMPER 16EA		

ASSEMBLY INSTRUCTIONS:

We recommend that two adults work together to assemble this game.

- 1) Open the carton of your new table game near where you will play. Select a clear level floor. This game requires at least two adults to assemble the table.
- 2) Remove all the contents from inside the carton and verify that you have all listed parts as shown on the Parts List.
NOTE: The player rods are pre-assembled. We suggest that you use the bottom carton as a clean flat working area to protect the game. Carefully cut or tear the four carton corners so that the bottom is now your work area.

FIG.1.

- 3) 1. Attach one End Apron (#2) between the Side Aprons (#1) using two of Washer Head Screws (#13) per Side.
NOTE: Leave connections loose - Do not tighten screws securely at this time.
- 4). Slide the play field (#3) with graphics facing down as shown in FIG1. If the field does not slide smoothly, check to be sure you have not over tightened any screws or the play field is not caught by the slot.

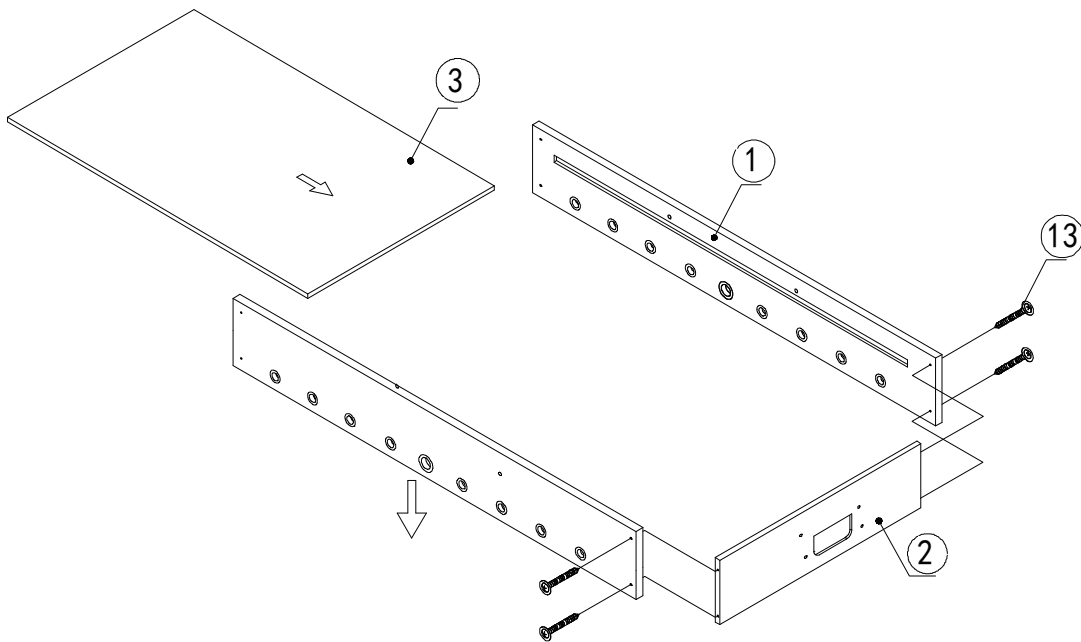


FIG.2.

- 5) Repeat the step to attach the other End Apron to the Side Aprons (#1).
- 6) Place two Support Braces (#4) on Playfield (#3) as shown in FIG.2. Attach them using two of Washer Head Screw (#13) per side. See FIG.2.

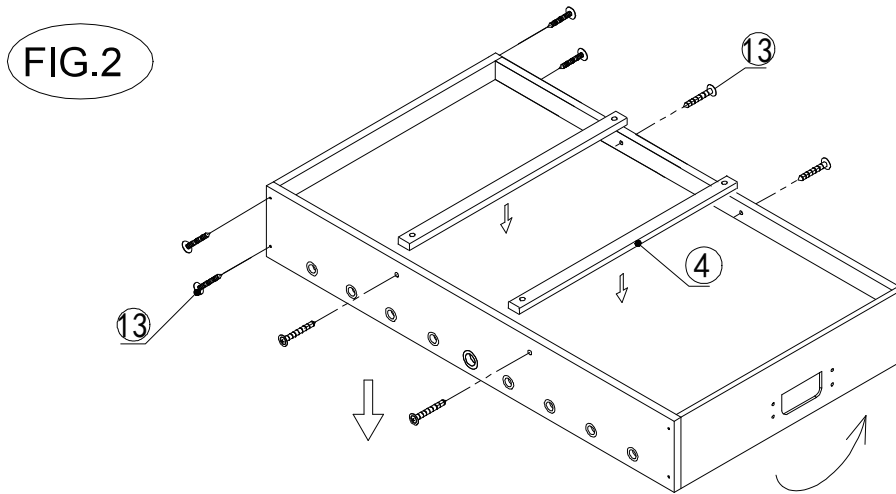


FIG.3.

- 7) Attach the player rods (#18 & #19) into the side aprons as shown in FIG.3A. Attach rubber bumper (#34) to the player rod, followed by the players (#15 & #16) and another rubber bumper (#34). For the two goalie player rods an additional stop ring (#20) will be needed to be added between the goalie.
- 8) Attach Stop Rings (#20) and Players (#15 & #16) to the player rods using two Screw (#17)

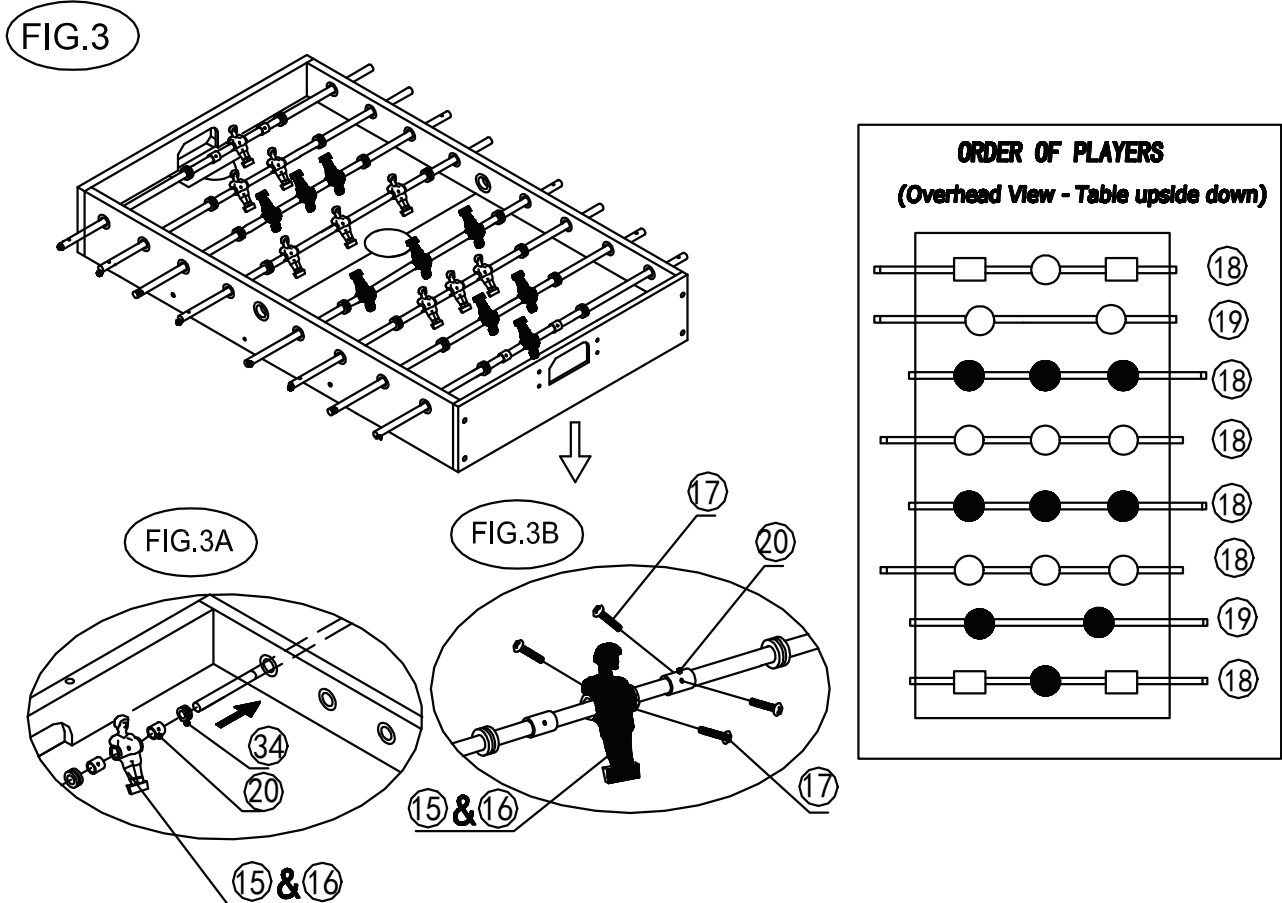


FIG.4.

- 9) Put Hand Grips (#21) and End Caps (#22) on the player rods in order. NOTE: To make the Handles easier to attach, spray a little windowcleaner on the rod ends prior to installation and tap on gently with a hammer. See FIG.4.
- 10) Attach Goal Boxes (#23) to End Aprons using four of Washer Head Screws (#12) per goal box.

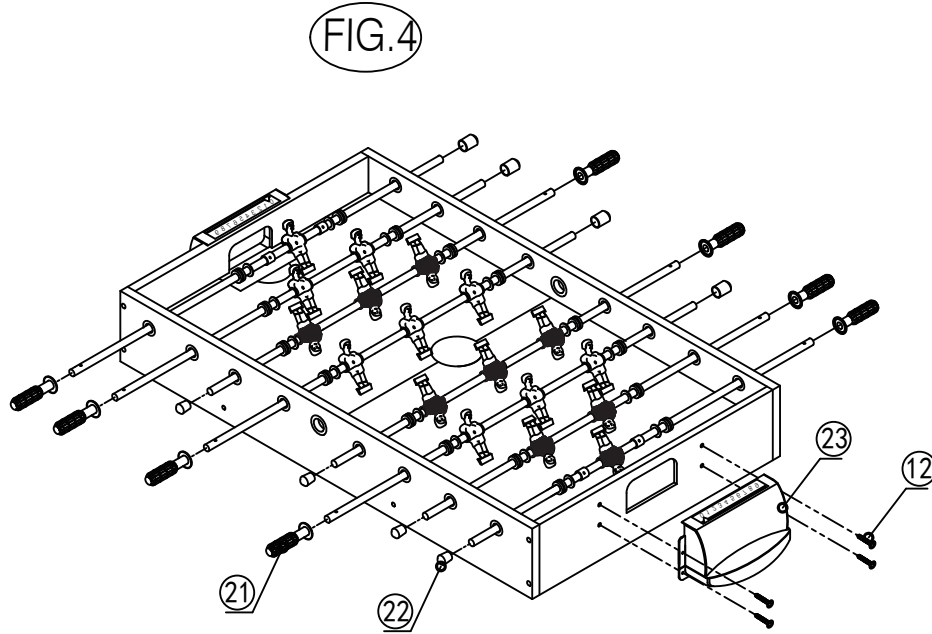
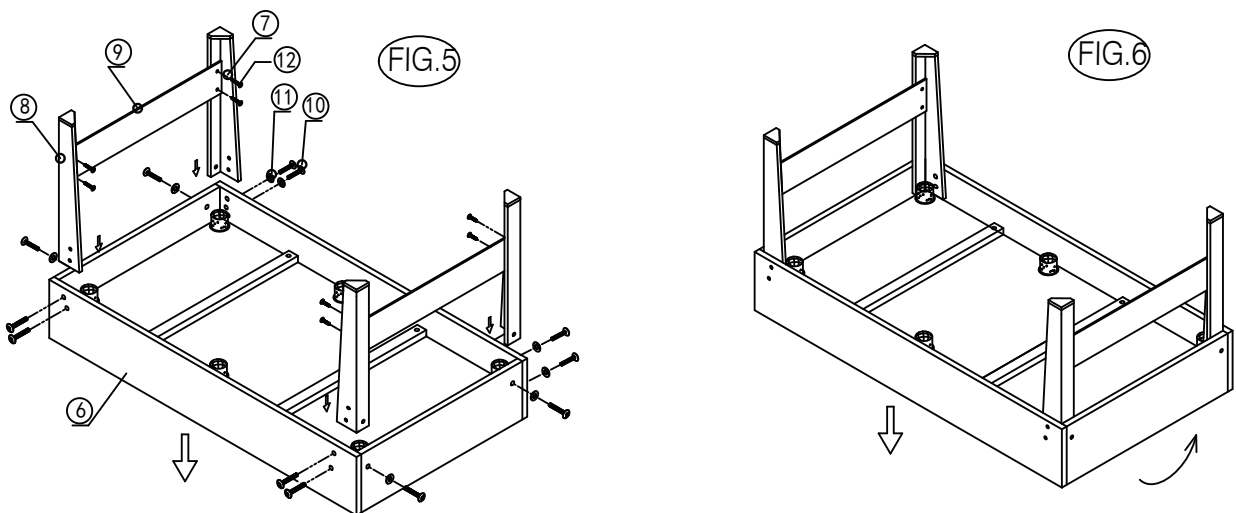


FIG.5.

- 11) Attach Left (#7) and Right (#8) Legs to the cabinet (#6) using three of Bolts (#10) and three of Washers (#11) per Leg. See FIG.6.
- 12) Attach the two End Leg Braces (#9) to the legs using three of Washer Head Screws (#12) per Leg. See FIG.6.

FIG.6.

- 13) Lift the table assembly from the floor with two strong adults, turn it over, and set table on its legs in the location where you will play. Go back and make sure that all connections are tight.



CAUTION: Two strong adults are recommended to flip the table as shown.
 1. Grab the table on the ground.
 2. Turn the table over.
 3. Place it on all four feet at the same time on the ground.

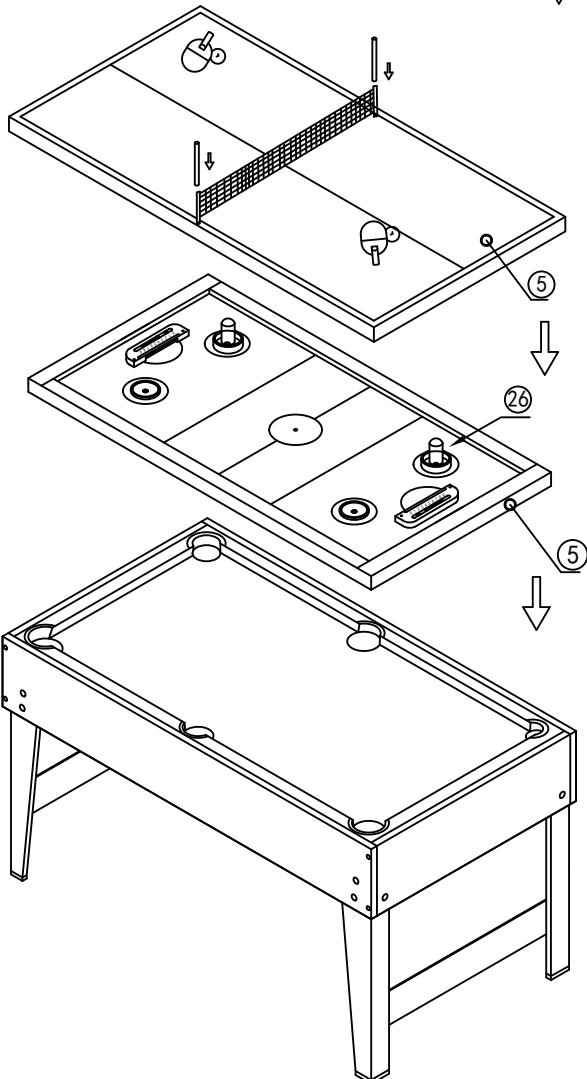
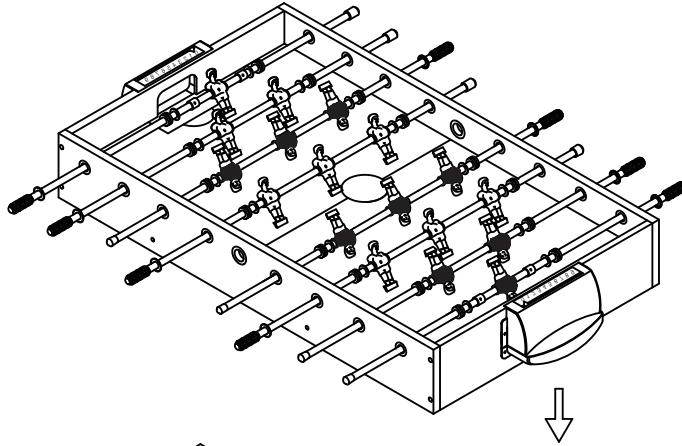
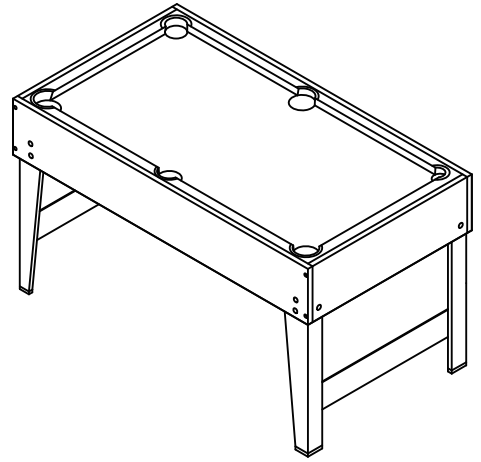
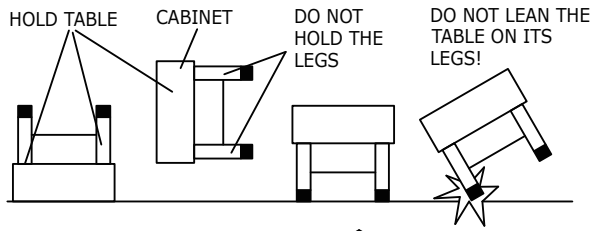


FIG.7

