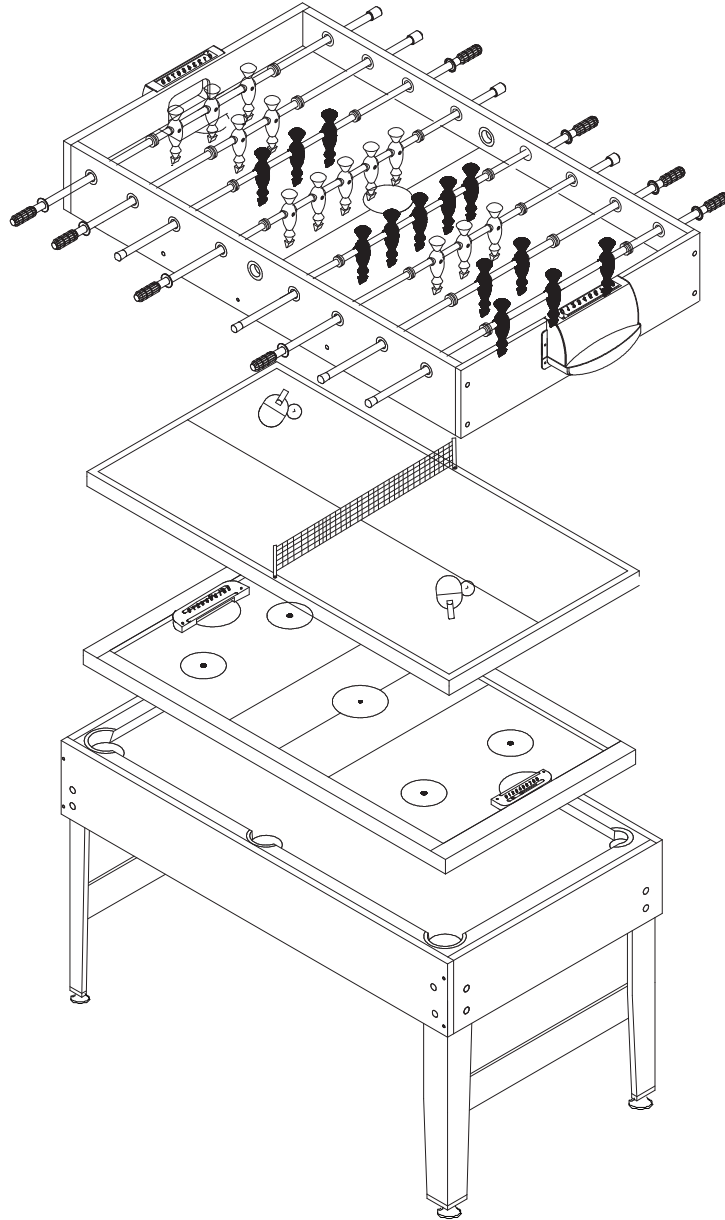


SOCCER-4T-121-10IN



.ASSEMBLY INSTRUCTIONS

.PARTS LIST

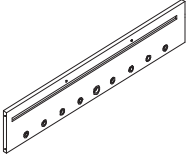
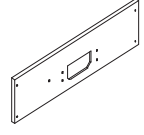
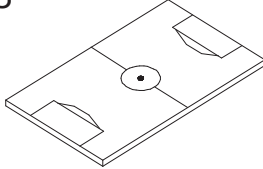
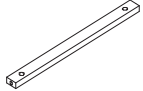
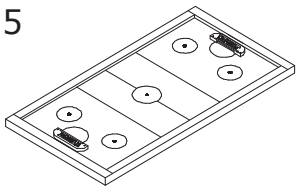

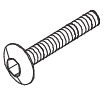


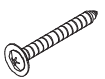

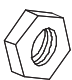


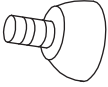
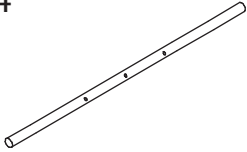
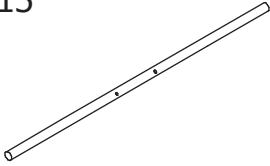
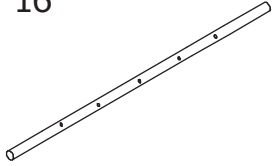
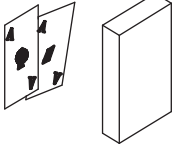



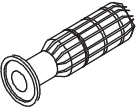


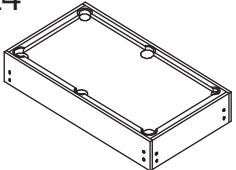


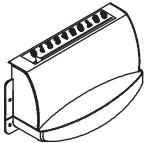

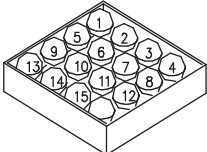
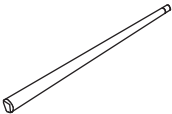


WARNING: Choking Hazard--Toy contains small balls and small parts. Not for children under 3 years old.

IMPORTANT!

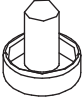
Please Keep Your Instructions. Before attempting assembly, please read through this instruction book to familiarize yourself with all the parts and assembly steps. We recommend that two adults assemble this game. Please refer to the Parts List below and be sure that all parts have been included.

PARTS LIST

1  SIDE APRON 2PCS	2  END APRON 2PCS	3  SOCCER PLAYFIELD 1PC	4  SUPPORT BRACE 2PCS
5  TT/HOCKEY PLAYFIELD 1PC	6  SUPPORT BRACE 2PCS	7  M6X28MM BOLT 16PCS	8  M6 WASHER 16PCS
9  3.5X12MM WASHER HEAD SCREW 16PCS	10  3.5X35MM WASHER HEAD SCREW 12PCS	11  4X20 TM 26PCS	12  NUT 26PCS


<p>13</p>  <p>LEG LEVELER 4PCS</p>	<p>14</p>  <p>3 HOLES PLAYER ROD 4PCS</p>	<p>15</p>  <p>2 HOLES PLAYER ROD 2PCS</p>	<p>16</p>  <p>5 HOLES PLAYER ROD 2PCS</p>
<p>17</p>  <p>PLAYING CARD 1DECK</p>	<p>18</p>  <p>PLAYER BLACK 13PCS</p>	<p>19</p>  <p>PLAYER IVORY 13PCS</p>	<p>20</p>  <p>TABLE TENNIS PADDLE 2PCS</p>
<p>21</p>  <p>HAND GRIP 8PCS</p>	<p>22</p>  <p>END CAP 8PCS</p>	<p>23</p>  <p>RUBBER BUMPER 16PCS</p>	<p>24</p>  <p>CABINET FOR BILLIARD 1PC</p>
<p>25</p>  <p>LEFT LEG 2PCS</p>	<p>26</p>  <p>RIGHT LEG 2PCS</p>	<p>27</p>  <p>GOAL BOX 2PCS</p>	<p>28</p>  <p>SOCCER BALL (also be used as bowling bump ball) 2PCS</p>
<p>29</p>  <p>BILLIARD BALLS 1PC</p>	<p>30</p>  <p>CUE STICK 2PCS</p>	<p>31</p>  <p>CHALK 2PCS</p>	<p>32</p>  <p>TRIANGLE 1PC</p>

33




HOCKEY
PUSHER
2PCS

34



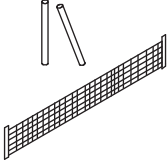
HOCKEY
PUCK
2PCS

35



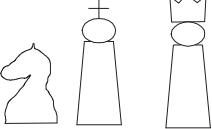
FELT PAD
2PCS

36



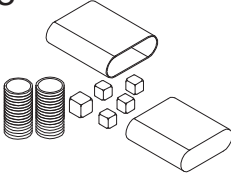
NET & POST SET
1 SET

37



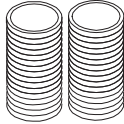
CHESS
1SET

38




BACKGAMMON
1 SET

39



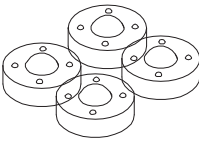
CHECKERS
1 SET

40



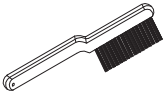
BOWLING
1 SET

41



SHUFFLE BALL
1 SET

42



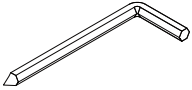
BRUSH
1PC

43



SAFETY LOCK
2PCS

44



ALLEN KEY
1PC

45



MULTI-GAME BOARD
(including card , chess,
backgammon, checkers,
bowling, shuffle)
1PC

ASSEMBLY INSTRUCTIONS:

We recommend that two adults work together to assemble this game.

- 1) Open the carton of your new table game near where you will play. Select a clear level floor. This game requires at least two adults to assemble the table.
- 2) Remove all the contents from inside the carton and verify that you have all listed parts as shown on the Parts List. We suggest that you use the bottom carton as a clean flat working area to protect the game. Carefully cut or tear the four carton corners so that the bottom is now your work area.

FIG.1.

- 3) Attach one End Apron (#2) between the Side Aprons (#1) using two of Washer Head Screws (#10) per Side. **See FIG.1.**

NOTE: Leave connections loose - Do not tighten screws securely at this time.

- 4) Slide the Playfield (#3) with graphics facing down as shown in FIG 1.If the field does not slide smoothly, check to be sure you have not over tightened any screws or the Playfield is not caught by the slot.

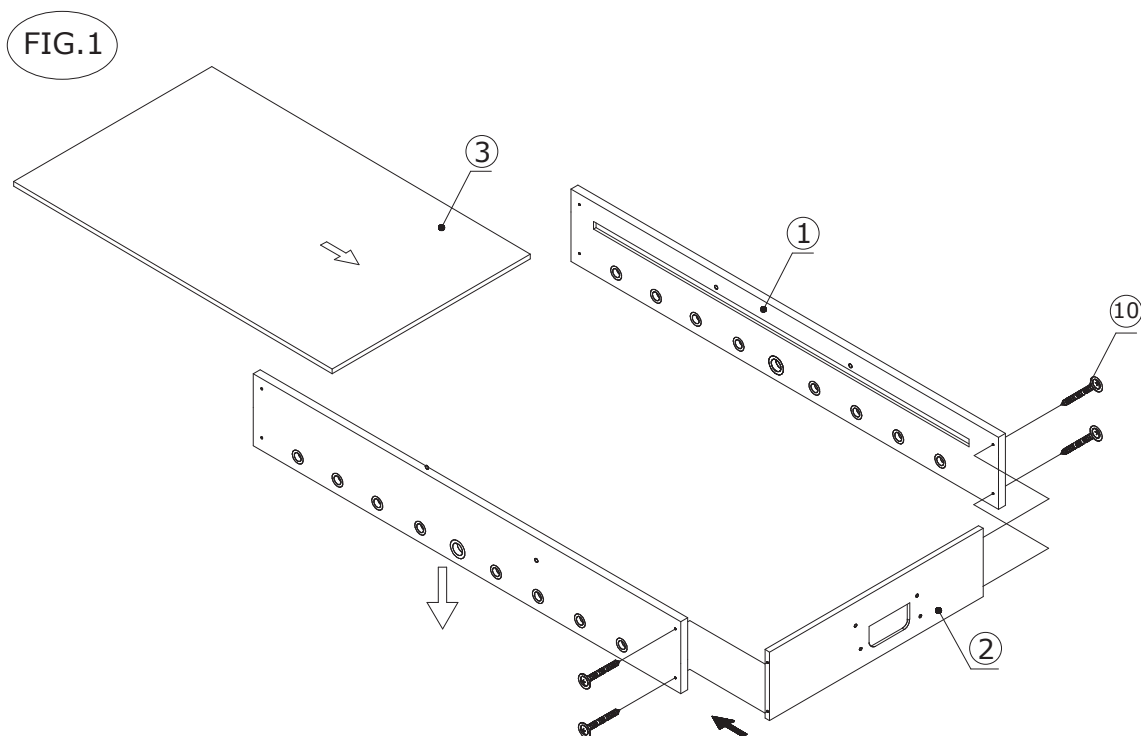


FIG.2.

- 5) Repeat the step to attach the other End Apron to the Side Aprons (#1).
- 6) Place two Support Braces (#4) on Playfield (#3) as shown in FIG.2. Attach them using two of Washer Head Screw (#10) per side. **See FIG.2.**

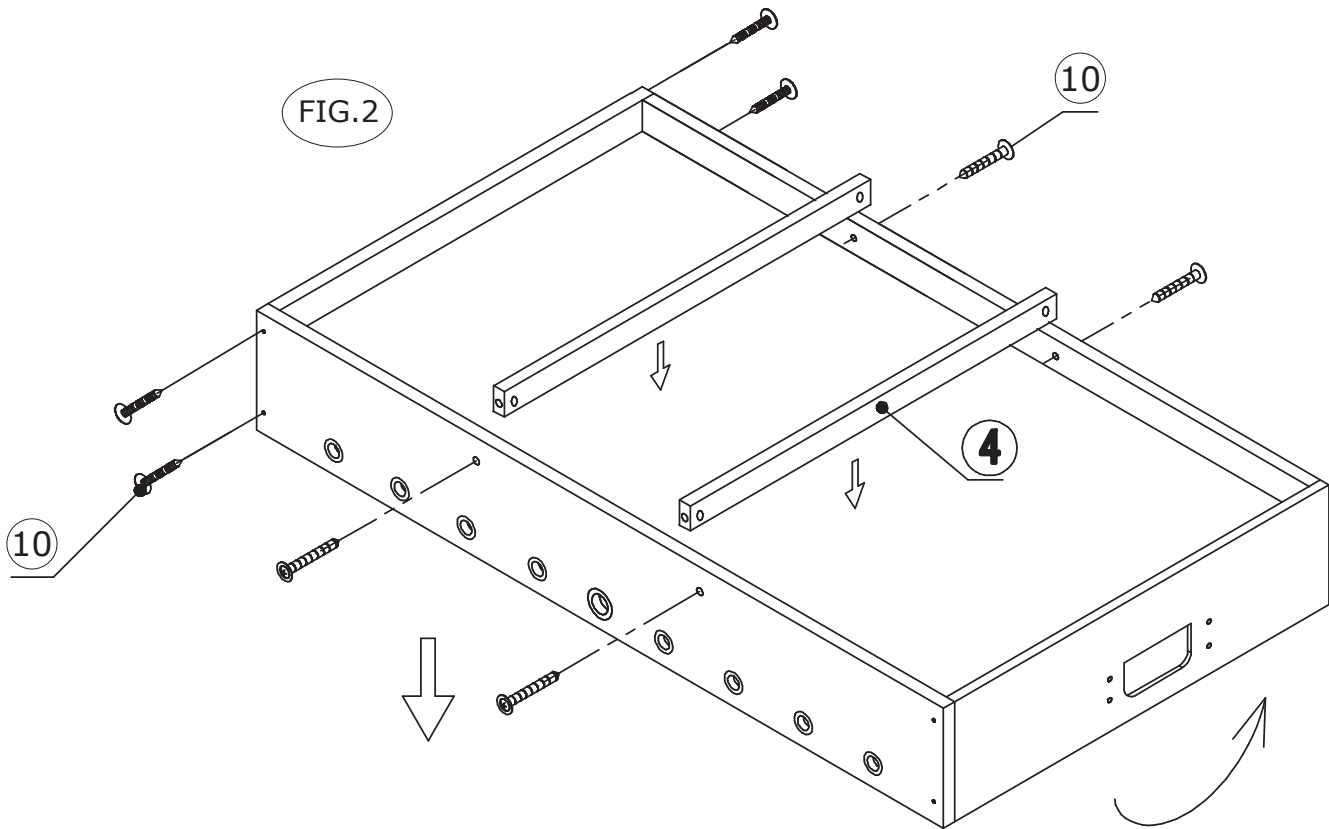


FIG.3.

7) Attach the player rods (#14 - #16) into the side aprons as shown in FIG.3A. Attach rubber bumper (#23) to the player rod, followed by the players (#18 & #19) and another rubber bumper (#23). **See FIG 3-1**

8) Attach Players (#18 & #19) to the player rods using one 4x20TM(#11) and one Nut(12). **See FIG 3-2**

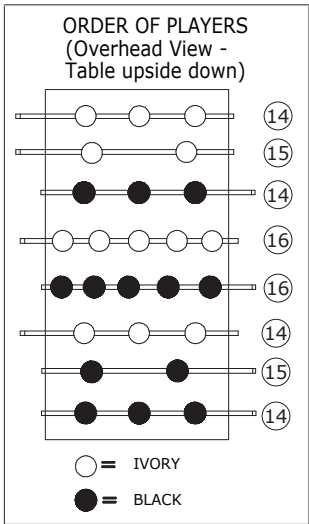
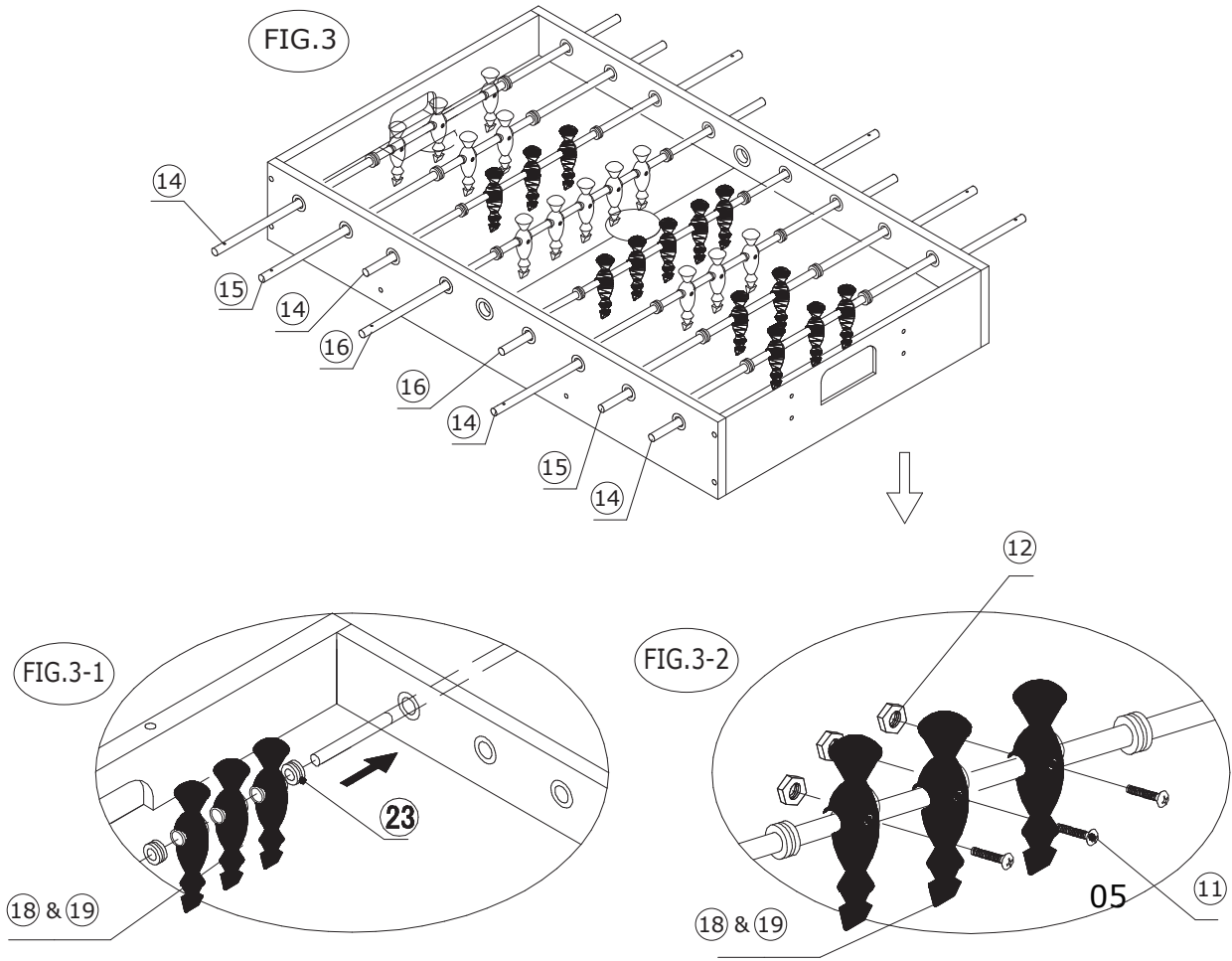


FIG.4.

9) Attach Goal Boxes (#27) to End Aprons using four of Washer Head Screws (#9) per Goal Box . **See FIG.4.**

FIG.4

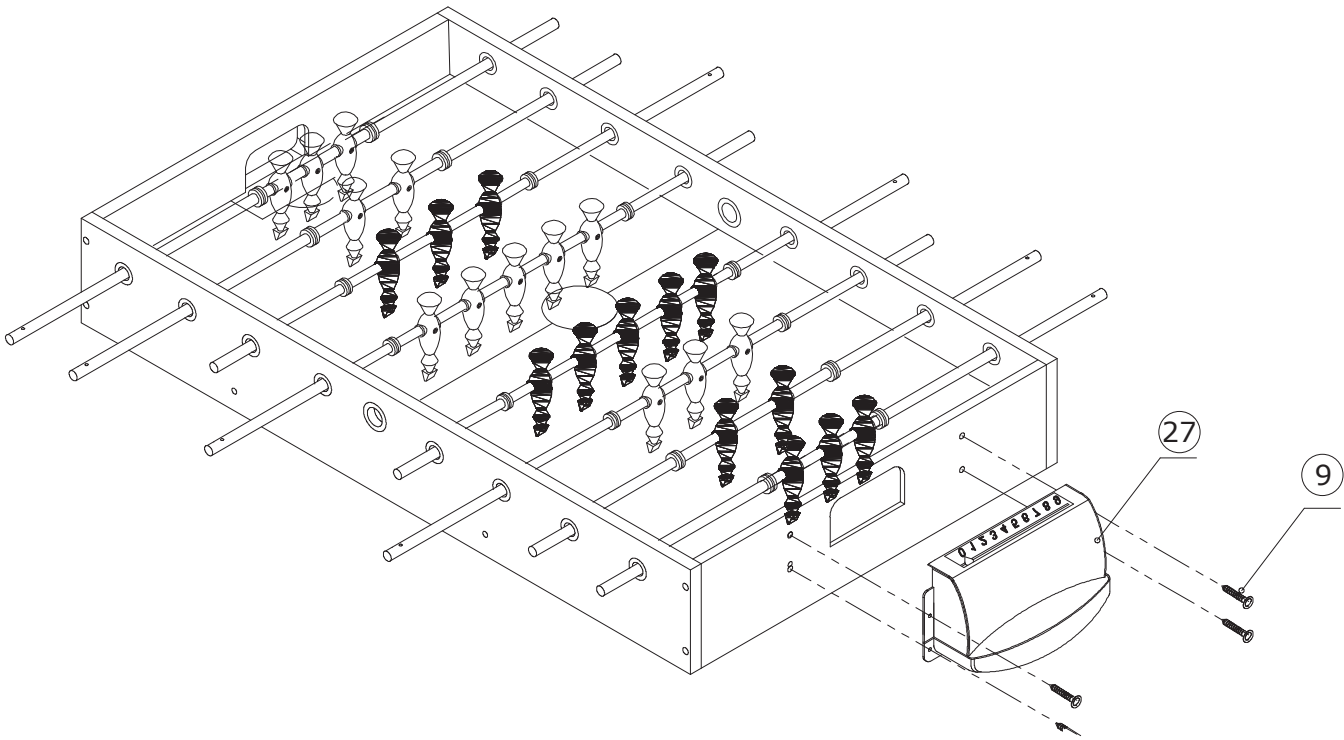


FIG.5.

10) Put Hand Grips (#21) and End Caps (#22) on the player rods in order. NOTE: To make the Handles easier to attach, spray a little window cleaner on the rod ends prior to installation and tap on gently with a hammer. **See FIG.5.**

FIG.5

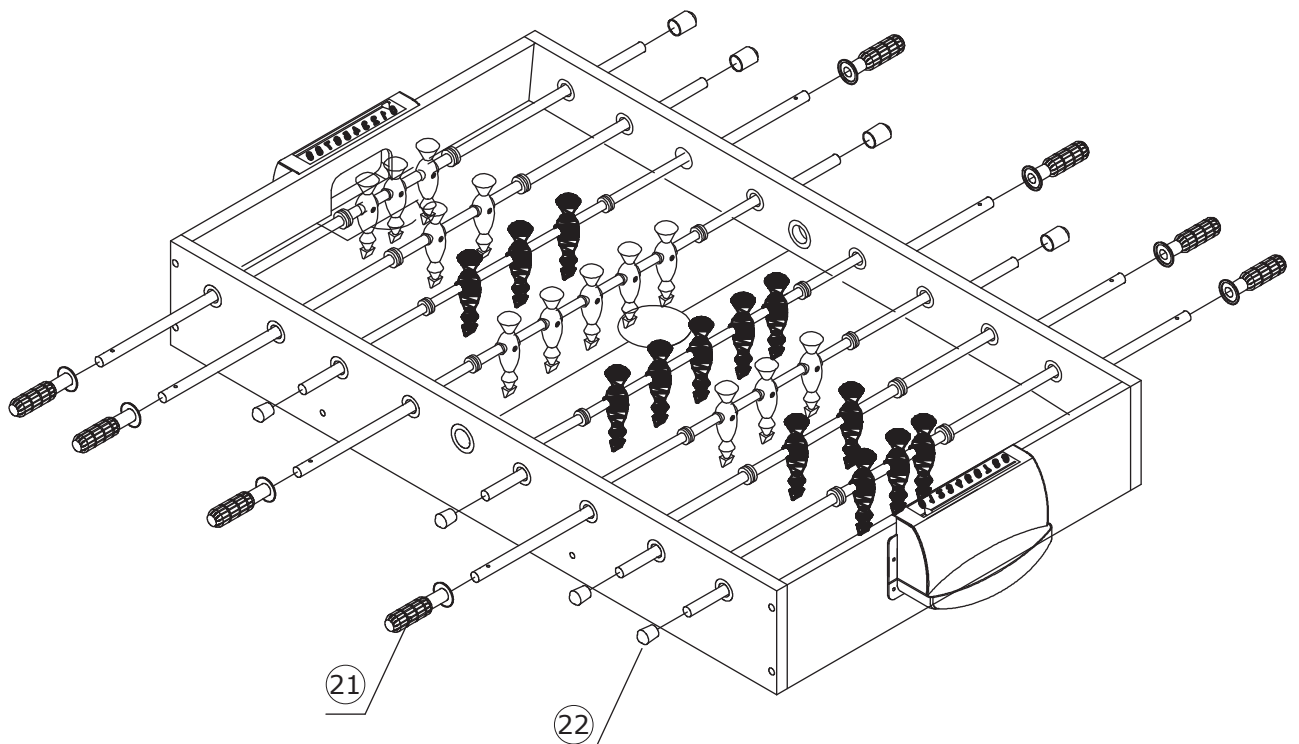


FIG.6.

11) Attach Legs (#25 & #26) to the cabinet (#24) using four of Bolts (#7) and four of Washers(#8) per Leg. **See FIG.6.**

12) Attach the two End Leg Braces (#6) to the legs using four of Washer Head Screws (#9) per Leg. **See FIG.6.**

13) Locate Leg Leveler(#13) And Screw Into per Leg. **See FIG.6.**

