

ASSEMBLY INSTRUCTIONS



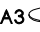






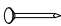


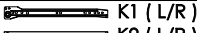
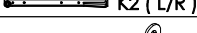

PAGE: 1/5

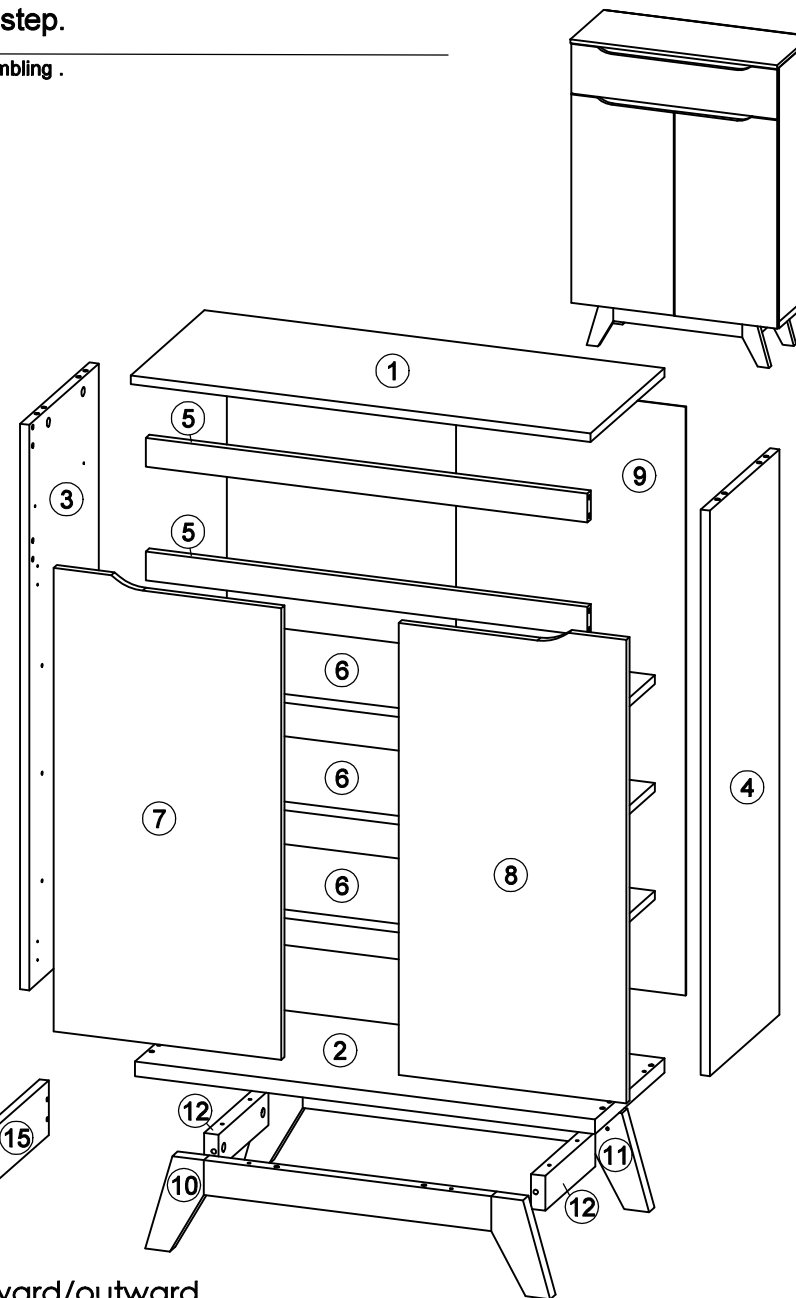
MODEL : SIMONA-MFC 1186

Before you begin, please follow assembly instructions carefully, then follow them step by step.

Read instruction carefully . See Furniture Parts list and Hardware List for guidance . Be sure you have all parts before you start assembling . Place and assemble furniture on a clean flat soft surface , such as carpet or rug to prevent being scratched .

PART LIST		QTY
1	TOP PANEL	1 PC
2	BOTTOM PANEL	1 PC
3	SIDE PANEL (L)	1 PC
4	SIDE PANEL (R)	1 PC
5	BONE PANEL	2 PCS
6	SHELF PANEL	3 PCS
7	DOOR PANEL (L)	1 PC
8	DOOR PANEL (R)	1 PC
9	BACK PANEL	1 PC
10	APRON FRONT	1 PC
11	APRON BACK	1 PC
12	APRON BONE	2 PCS
13	DRAWER FRONT	1 PC
14	DRAWER BACK	1 PC
15	DRAWER SIDE	2 PCS
16	DRAWER BOTTOM	1 PC

HARDWARE				
A	MINI FIX	A1  A2  A3 		8 SETS
B	M8 X 30MM WOOD DOWEL			20 PCS
C	M6 X 60MM CSK CAP WOOD SCREW			4 PCS
D	ALLEN KEY M4			1 PC
E	M3.5 X 16MM C.B SCREW			40 PCS
F	M4 X 38MM C.B SCREW			16 PCS
G	METAL SHELF SUPPORT			12 PCS
H	5/8 NAIL			30 PCS
I	5/8 PVC NAIL LEG			4 PCS
J	SOFT CLOSING 5/8 HINGES			4 PCS
K	12" DRAWER SLIDE	K1 (L/R)  K2 (L/R) 		1 SET
L	ONE HOLE L BRACKET (2MM)			2 PCS



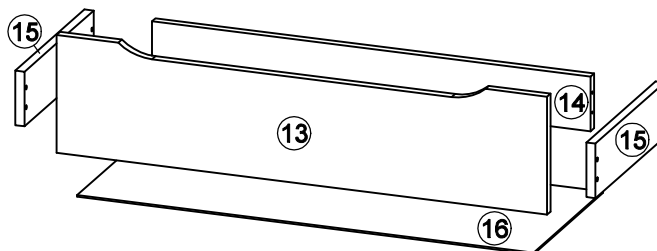
SELF-PREPARED TOOLS: Tools below are NOT included in package.



SCREWDRIVER



HAMMER



Reminder:

Please ensure that all surfaces and edges with colours/laminations are facing forward/outward.

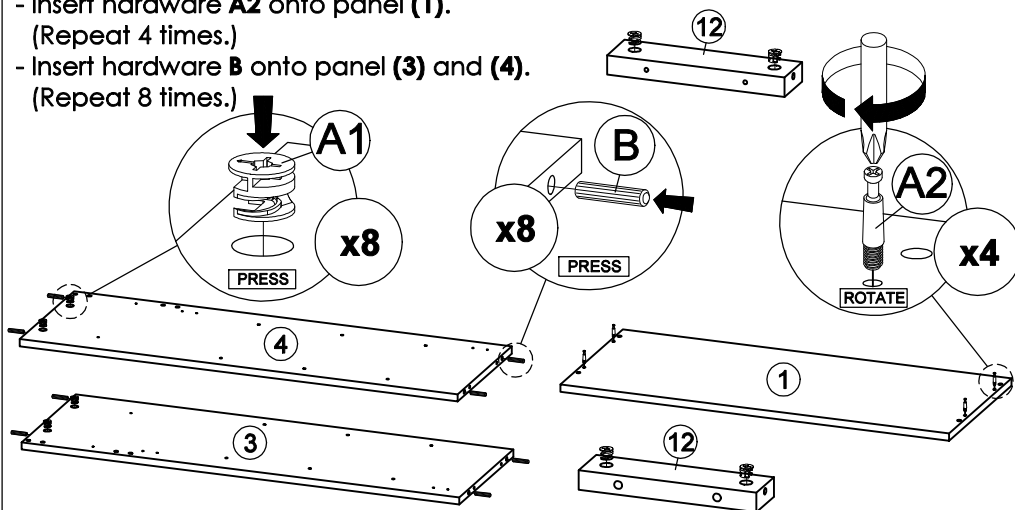
ASSEMBLY INSTRUCTIONS

PAGE: 2/5

MODEL : SIMONA-MFC 1186

STEP 1

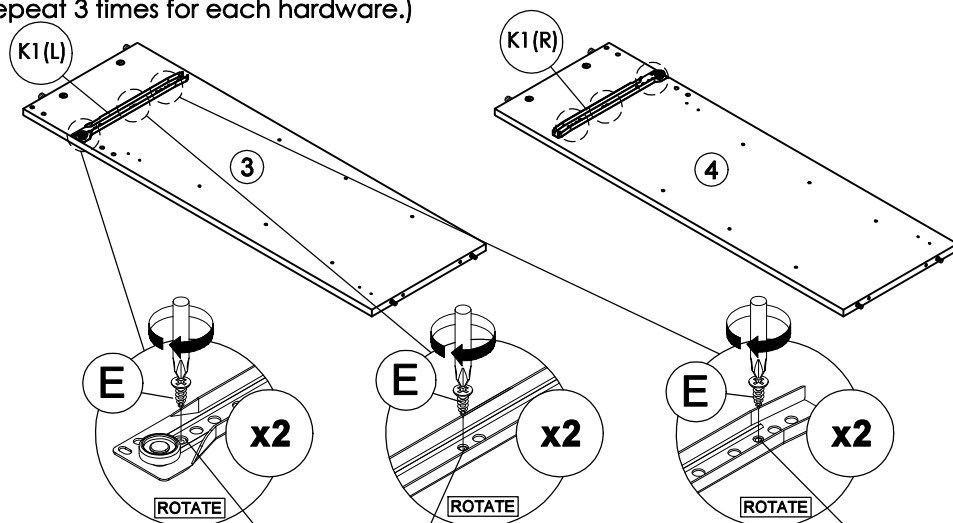
- Insert hardware **A1** onto panel **(3)**, **(4)** and **(12)**.
(Repeat 8 times.)
- Insert hardware **A2** onto panel **(1)**.
(Repeat 4 times.)
- Insert hardware **B** onto panel **(3)** and **(4)**.
(Repeat 8 times.)



* Ensure the arrows on hardware **A1** point towards mounting positions.

STEP 3

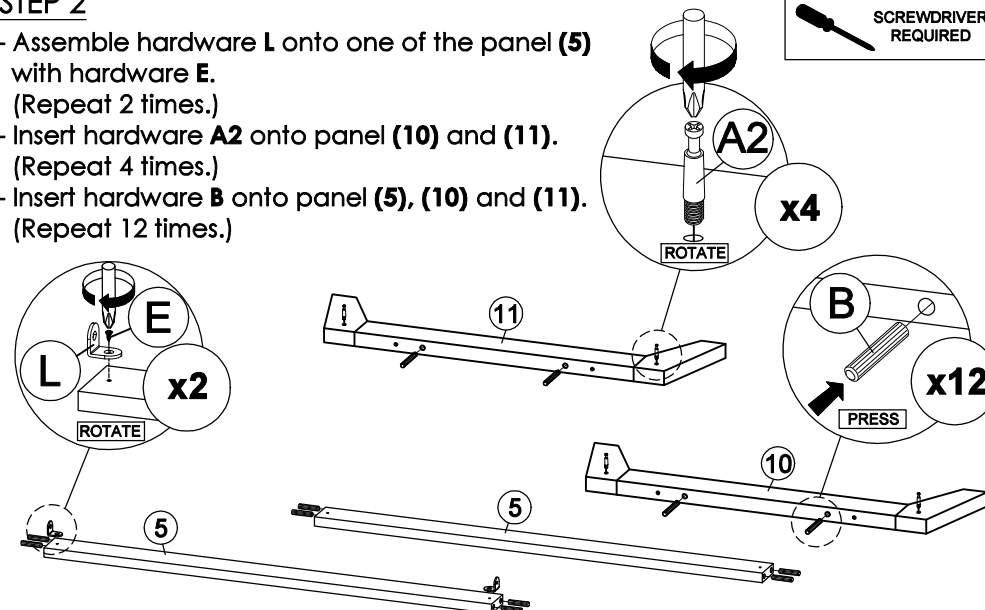
- Fix hardware **K1 (L/R)** into panel **(3)** and **(4)** with hardware **E**.
(Repeat 3 times for each hardware.)



First hole from the edge. Small hole at the center. Third hole from the edge.

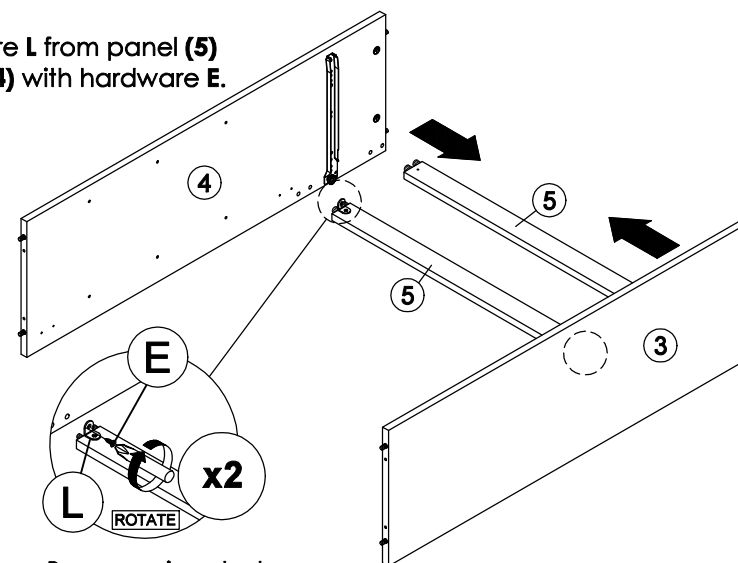
STEP 2

- Assemble hardware **L** onto one of the panel **(5)** with hardware **E**.
(Repeat 2 times.)
- Insert hardware **A2** onto panel **(10)** and **(11)**.
(Repeat 4 times.)
- Insert hardware **B** onto panel **(5)**, **(10)** and **(11)**.
(Repeat 12 times.)



STEP 4

- Attach panel **(3)** and **(4)** to panel **(5)**.
(Repeat 2 times.)
- Assemble hardware **L** from panel **(5)** to panel **(3)** and **(4)** with hardware **E**.
(Repeat 2 times.)



* In this step hardware **B** are pre-inserted.

ASSEMBLY INSTRUCTIONS

PAGE: 3/5

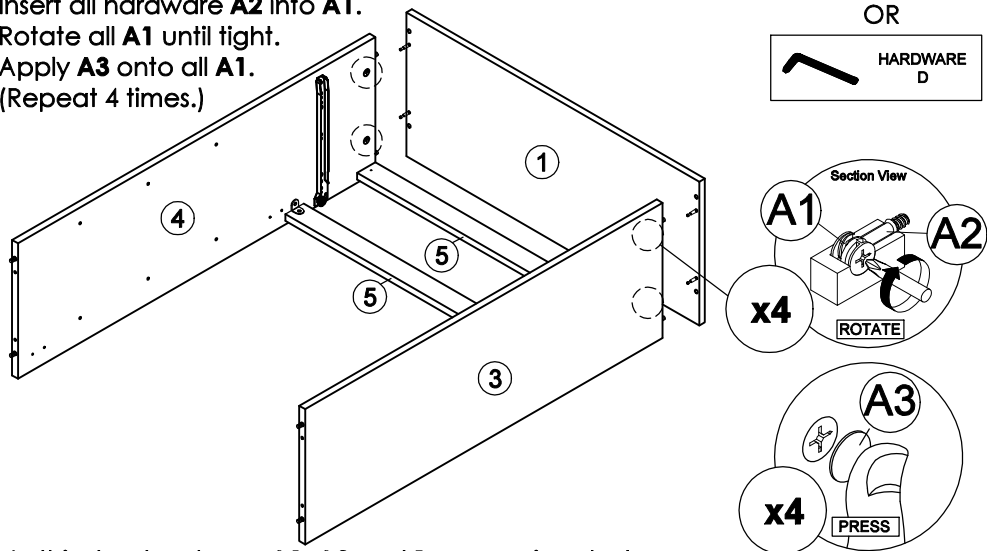
MODEL : SIMONA-MFC 1186

STEP 5

- Attach panel (1) to panel (3) and (4).
- Insert all hardware A2 into A1.
- Rotate all A1 until tight.
- Apply A3 onto all A1.
- (Repeat 4 times.)



OR



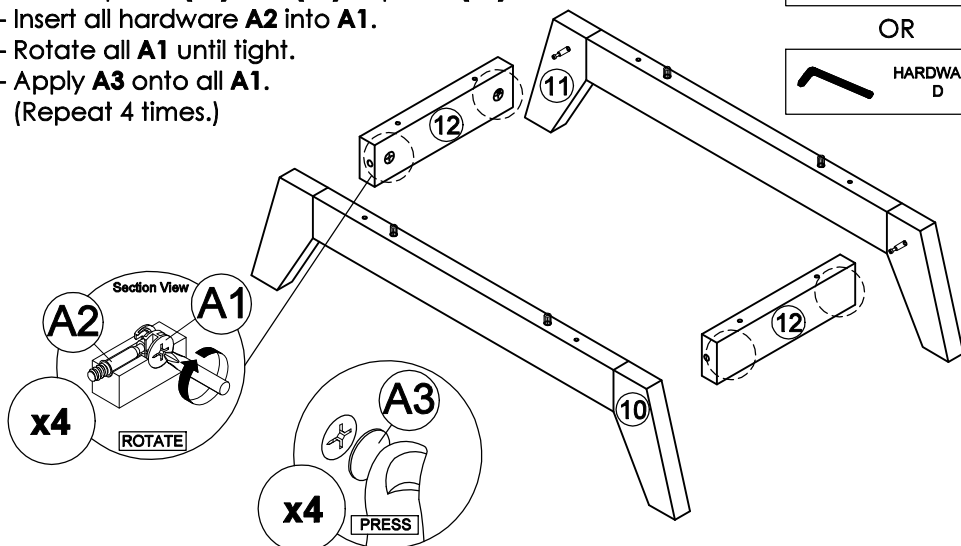
* In this step hardware A1, A2 and B are pre-inserted.

STEP 7

- Attach panel (10) and (11) to panel (12).
- Insert all hardware A2 into A1.
- Rotate all A1 until tight.
- Apply A3 onto all A1.
- (Repeat 4 times.)



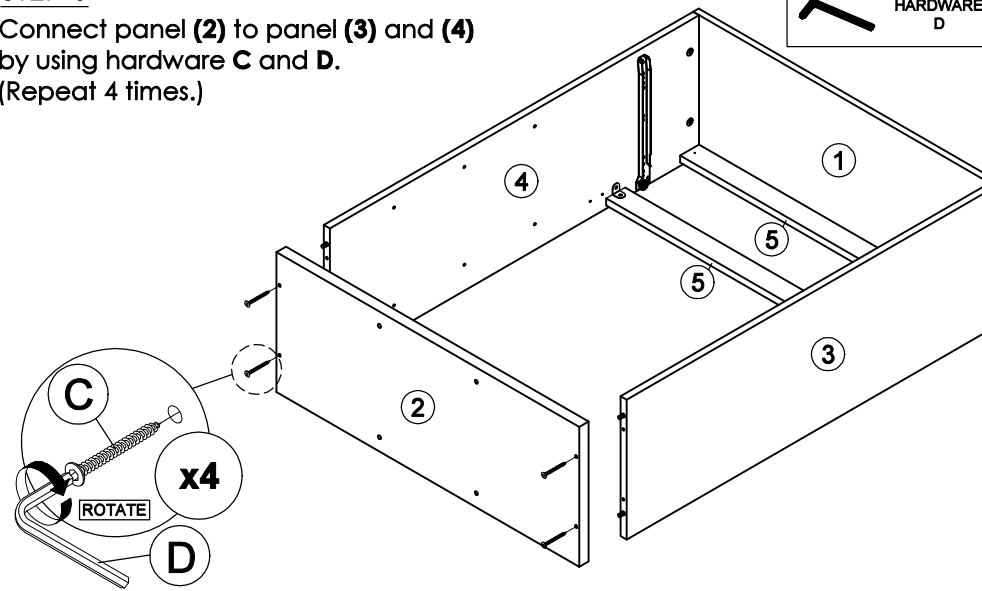
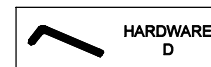
OR



* In this step hardware A1, A2 and B are pre-inserted.

STEP 6

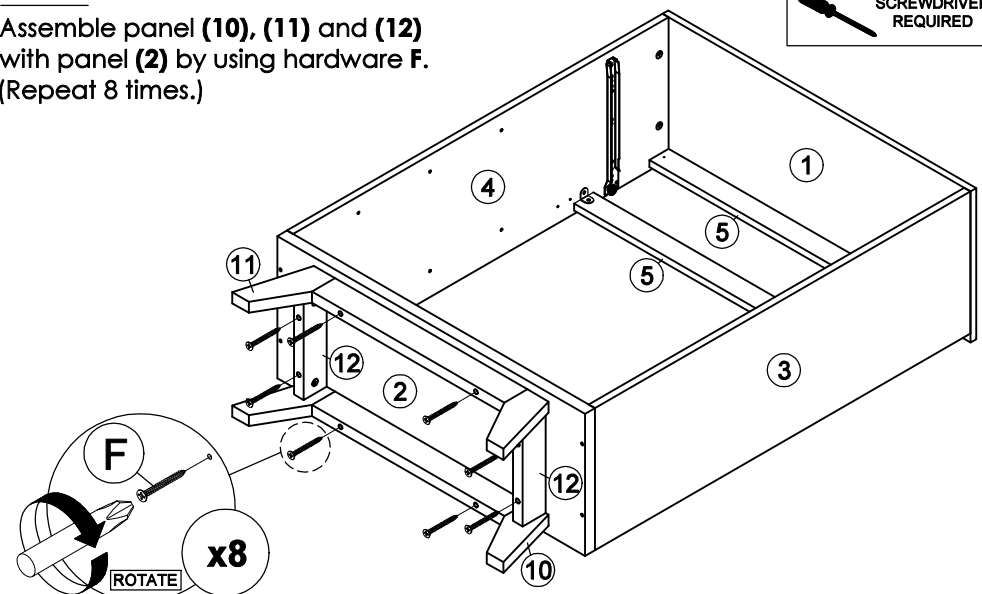
- Connect panel (2) to panel (3) and (4) by using hardware C and D.
- (Repeat 4 times.)



* In this step hardware B are pre-inserted.

STEP 8

- Assemble panel (10), (11) and (12) with panel (2) by using hardware F.
- (Repeat 8 times.)



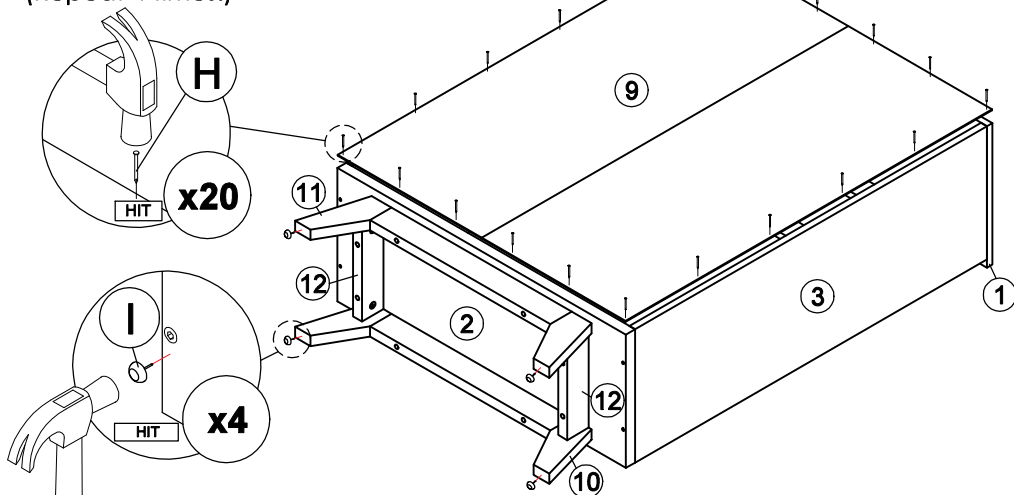
ASSEMBLY INSTRUCTIONS

PAGE: 4/5

MODEL : SIMONA-MFC 1186

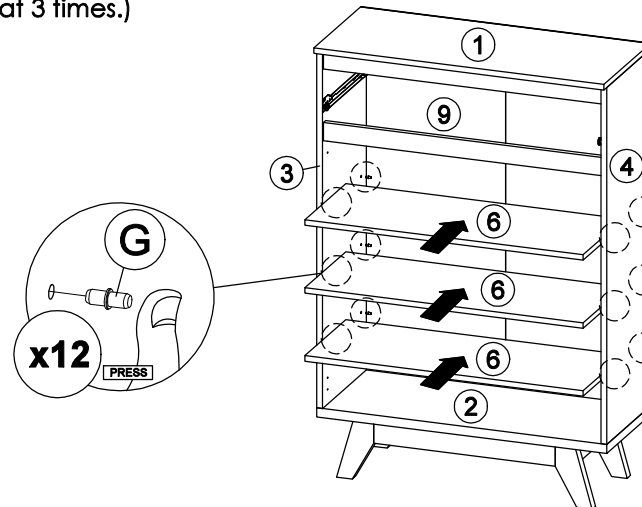
STEP 9

- Assemble panel (9) to entire body with hardware H. (Repeat 20 times.)
- Hit hardware I into bottom of panel (10) and (11). (Repeat 4 times.)



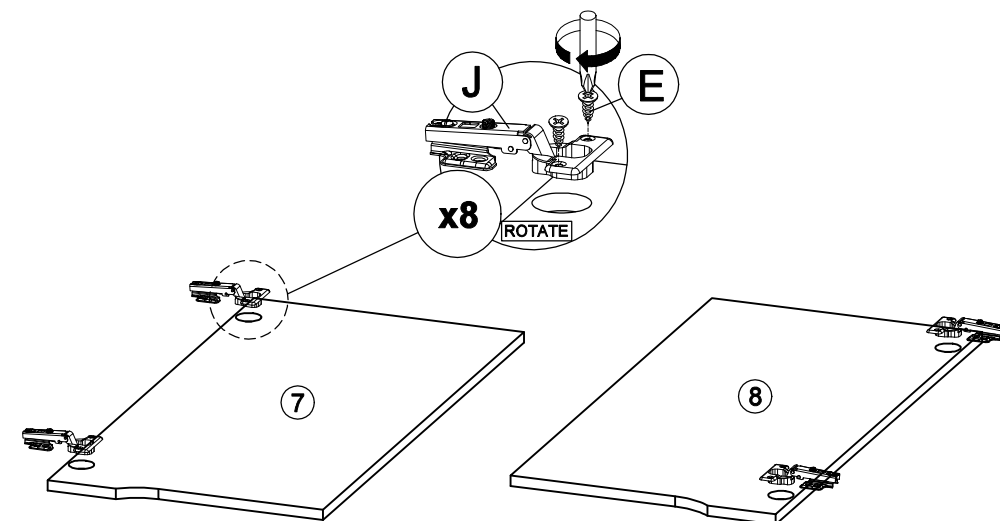
STEP 10

- Insert hardware G into mounting positions on panel (3) and (4) by hand. (Repeat 12 times.)
- Assemble panel (6) into between panel (3) and (4). (Repeat 3 times.)



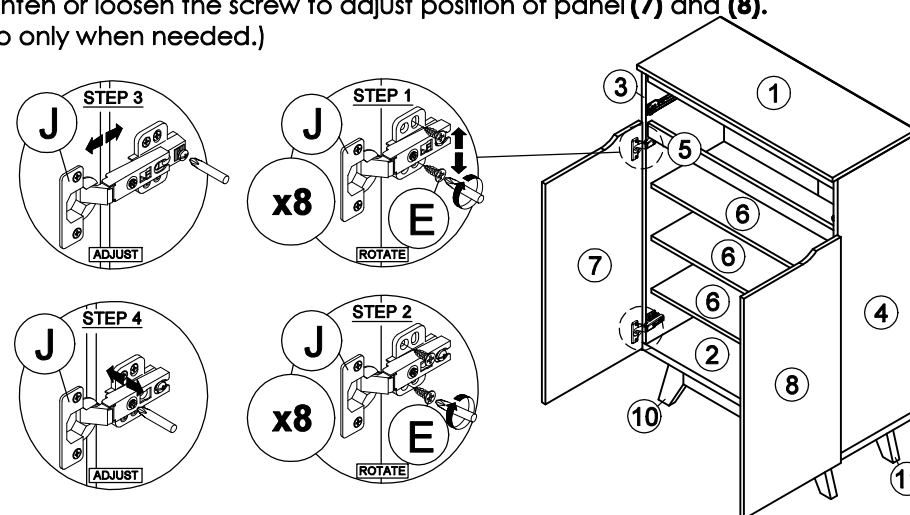
STEP 11

- Fix hardware J onto panel (7) and (8) by using hardware E. (Repeat 2 times for each hardware.)



STEP 12

- Fix hardware J into panel (3) and (4) by using hardware E. (Repeat 4 times for each hardware.)
- Tighten or loosen the screw to adjust position of panel (7) and (8). (Do only when needed.)



* In this step hardware J have been assembled in panel (7) and (8).

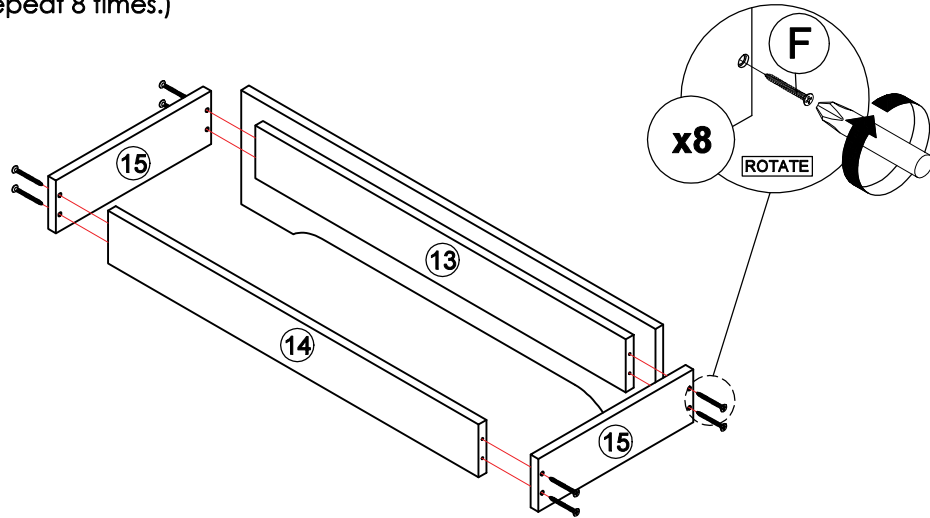
ASSEMBLY INSTRUCTIONS

PAGE: 5/5

MODEL : SIMONA-MFC 1186

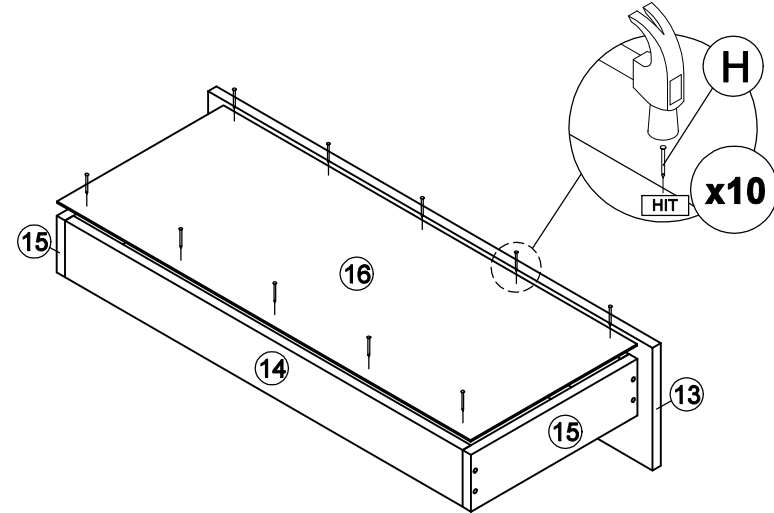
STEP 13

Assemble panel (15) to panel (13) and (14) by using hardware F. (Repeat 8 times.)



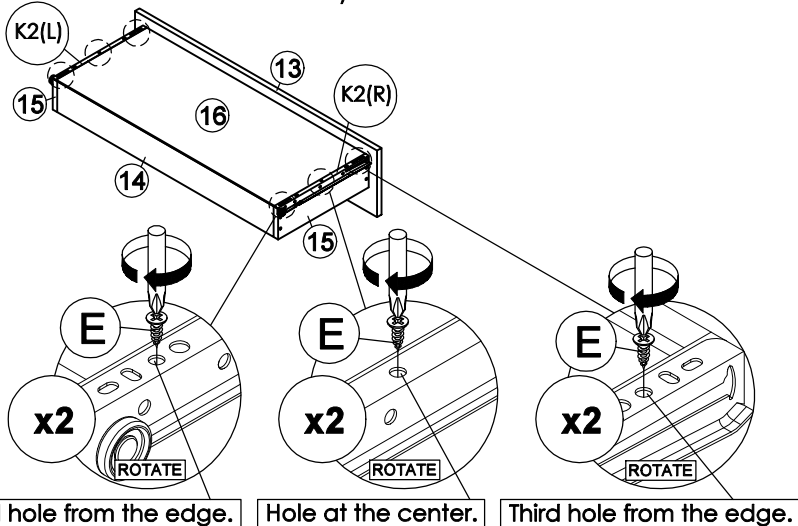
STEP 14

Assemble panel (16) to entire body with hardware H. (Repeat 10 times.)



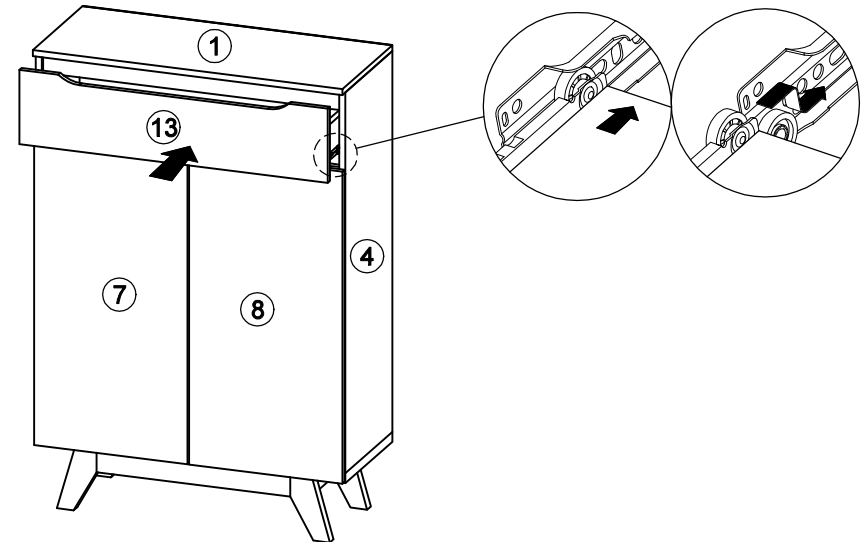
STEP 15

Assemble hardware K2 (L/R) to panel (16) by using hardware E. (Repeat 3 times for each hardware.)



STEP 16

Put all the drawer in place along the drawer slides.



*Hardware K2 (L/R) shall be leaning against panel (13) when assembling.