

# ASSEMBLY INSTRUCTION

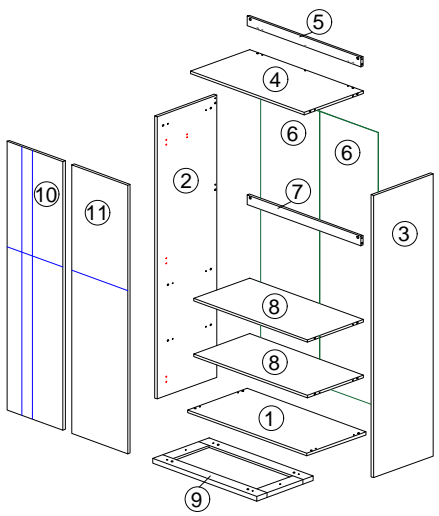
MODEL : ANYA 2506 WD

DESC : 2 DOORS WARDROBE

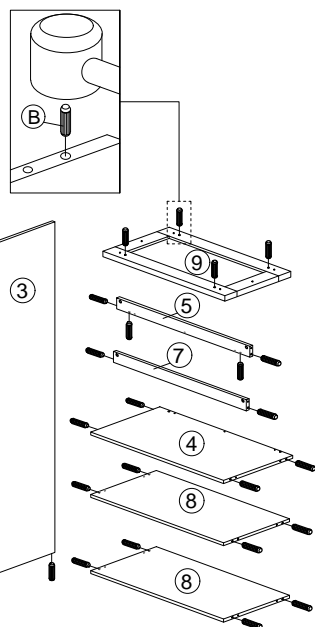
HARDWARE

<b>A</b> A1 MINIFIX (HOUSING) MINIFIX (EURO 24) MINIFIX CAP 16 SETS	<b>A5</b> ALLEN KEY 1	<b>B</b> WOOD DOWEL 8 X 25 26	<b>C</b> 45MM CB SCREW M4X45MM 4	<b>D</b> 16MM CB SCREW M3.5X16MM 32	<b>E</b> 38MM CB SCREW M4X38MM 9	<b>F</b> F1 F2 F3 F4 566 DOOR DAMPER 2 SETS	<b>G</b> NAIL 5/8 45	<b>H</b> HINGES 7/8 6	<b>I</b> V BRACKET 2	<b>J</b> 18MM CHROME PIPE - 759MM 1	<b>L</b> FOOT PAD 25MM 6
--	-----------------------------	-------------------------------------	---	--	---	--	----------------------------	-----------------------------	----------------------------	---	--------------------------------

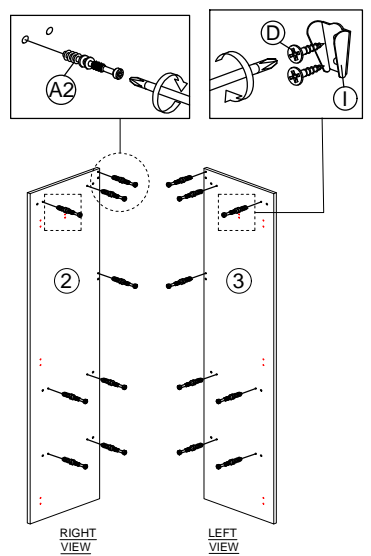
## PART LIST



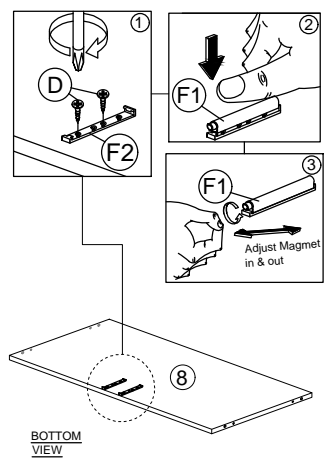
## STEP 1



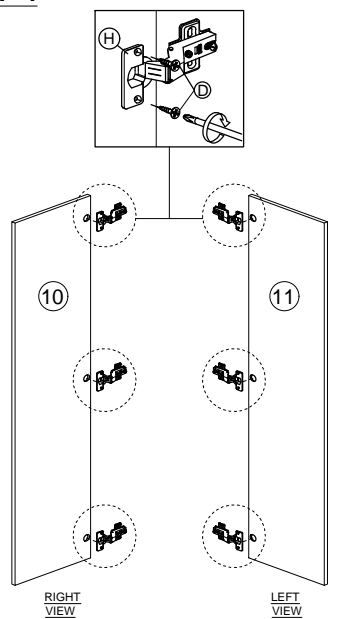
## STEP 2



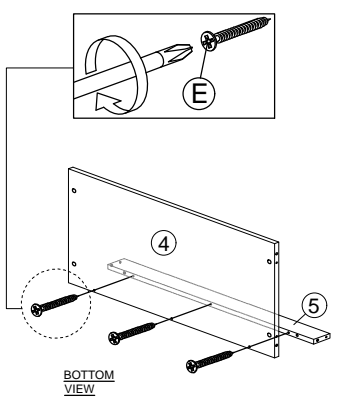
## STEP 3



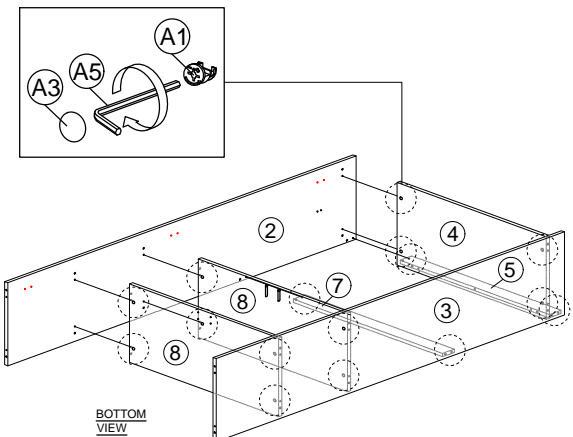
## STEP 4



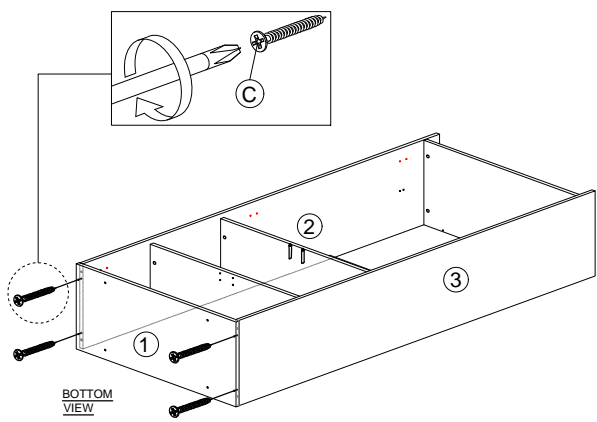
## STEP 5



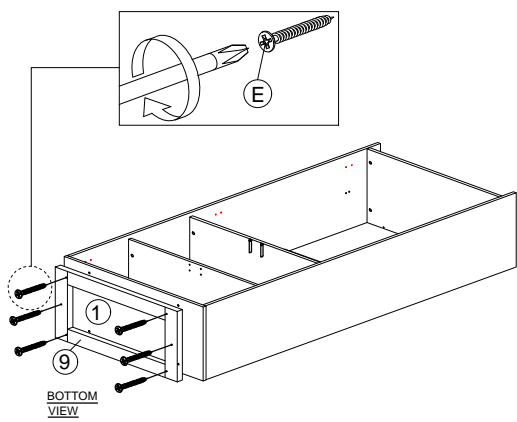
## STEP 6



## STEP 7



## STEP 8





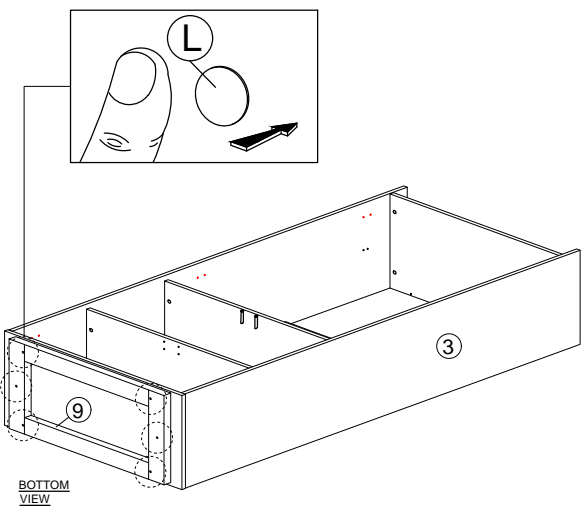
SOFT, DRY CLOTH	CHEMICAL	HEAT	KEEP DRY	HANDLE WITH CARE	DO NOT USE KNIFE

# ASSEMBLY INSTRUCTION

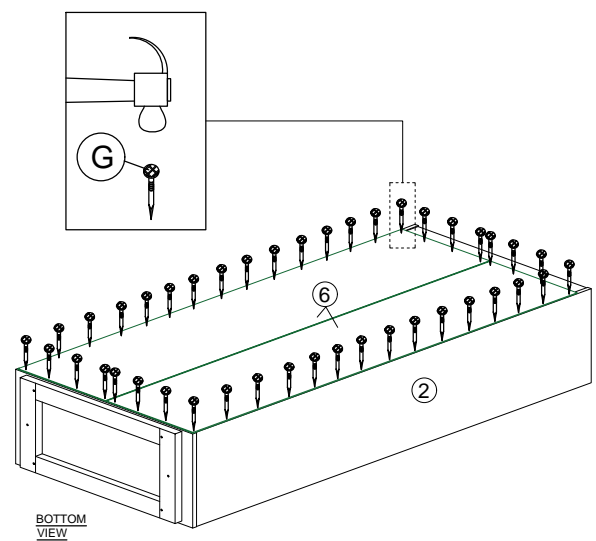
MODEL : ANYA 2506 WD

DESC : 2 DOORS WARDROBE

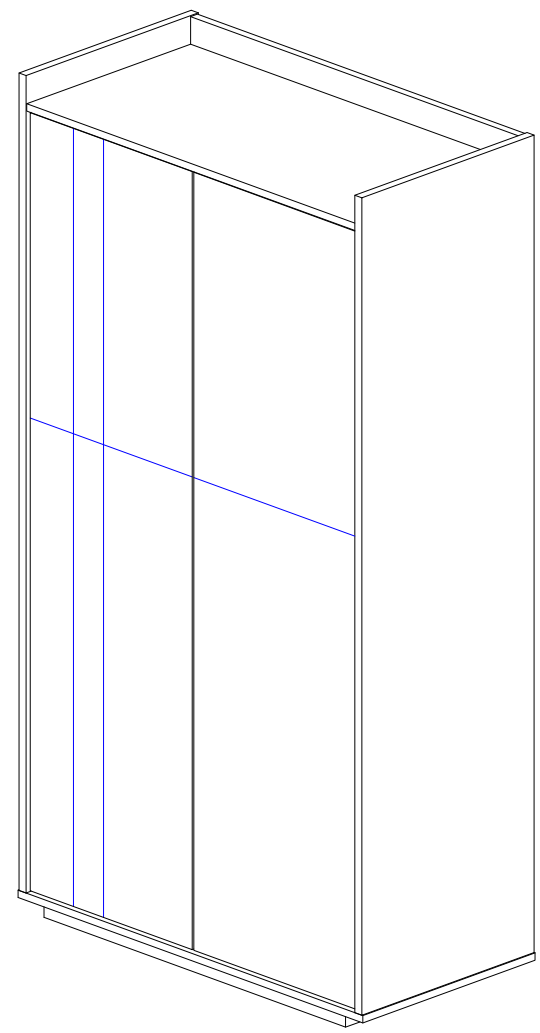
## STEP 9



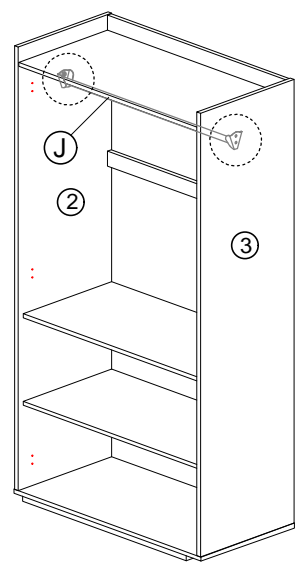
## STEP 10



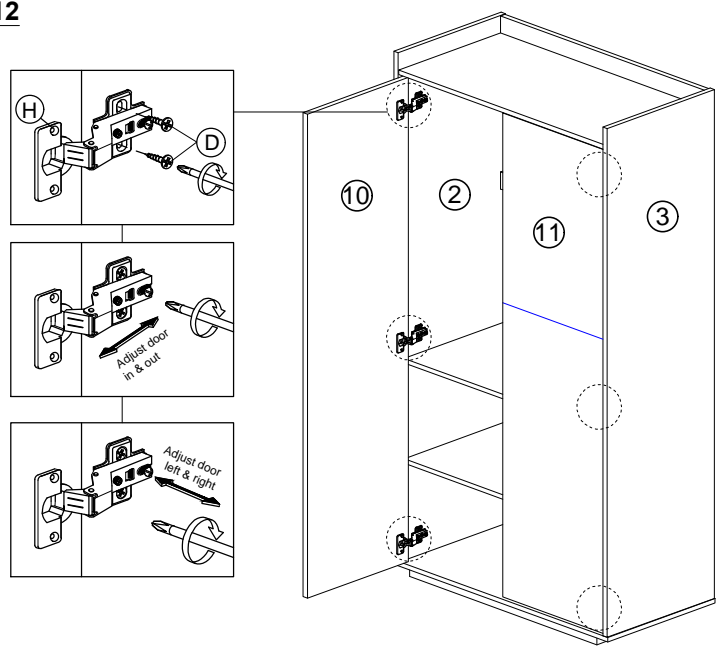
## COMPLETED



## STEP 11

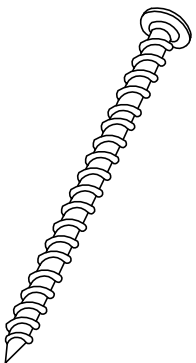


## STEP 12

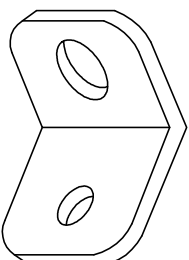


# Installation of Anti-Tip Restraint

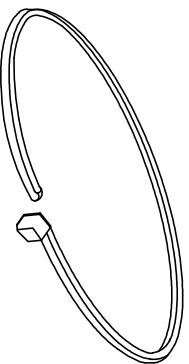
Kit includes:



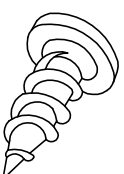
A (x1)  
Long screw



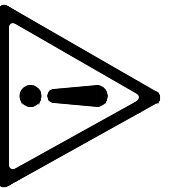
B (x2)  
Mounting bracket



C (x1)  
Restraint strap



D (x1)  
Short screw



# WARNING

**Serious of fatal crushing injuries can occur from furniture tip-over. To help Prevent tip-over:**

- Install tip-over restraint provided
- Place heaviest items in the lower drawers
- Do not set TV's or other heavy objects on top of this product
- Never allow children to climb or hang on drawers, doors or shelves
- Never open more than one drawer at a time
- Do not defeat or remove the drawer interlock system

**Use tip-over restraints may only reduce but not eliminate the risk of tip-over.**

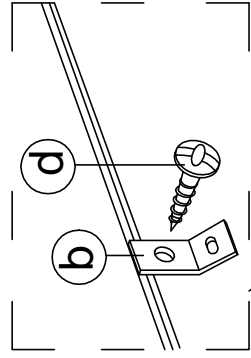


**IMPORTANT:** Use of this safety kit is mandatory. This restraint is not a substitute for proper adult supervision. Failure to detach this restraint before moving furniture may result in injury and damage.

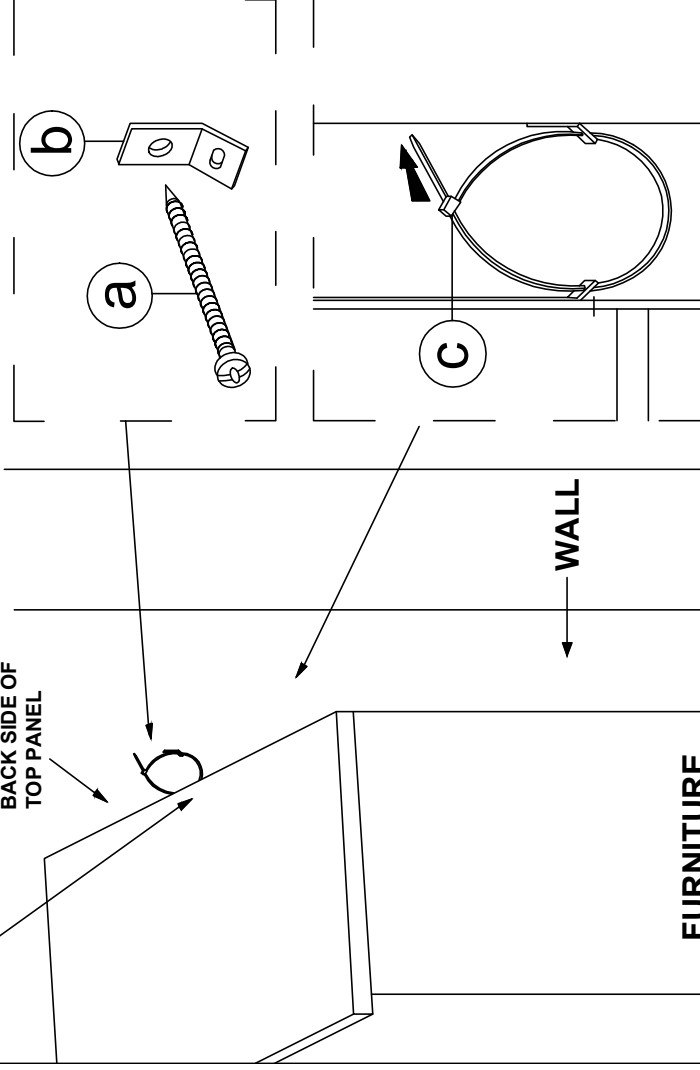
# FITTING OF ANTI-TIP SAFETY STRAP

## STEP 1:

- Attach the mounting bracket **(b)** to the furniture in the solid part below the top panel a few inches away from the side of the unit.
- Screw **(d)** through the smallest hole of **(b)**.



BACK SIDE OF  
TOP PANEL



## STEP 2:

- Locate a stud in behind the have to
- Place the other mounting bracket **(b)** on the wall stud 2 inches below the mounting bracket secured to the back of your unit.
- Attach to the wall stud using **(a)** through the smaller hole of **(b)**.

## STEP 3:

- Repeat the same step a few inches away from the other side of the unit.
- Place the furniture into position so both mounting brackets are vertically in line.
- Lace the end of the restraint strap through the larger holes in each mounting bracket.
- Secure the straps and lock into place.

