

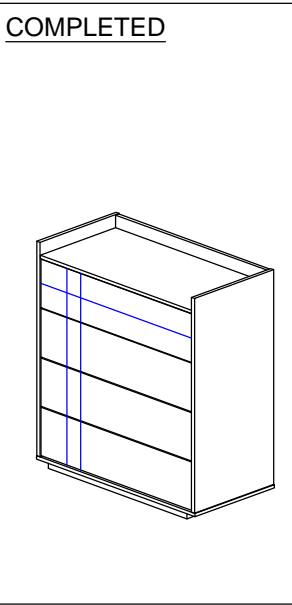
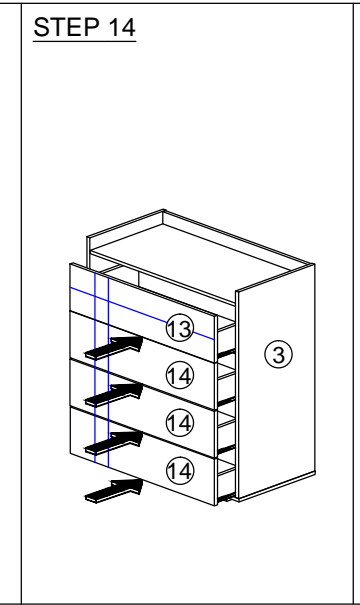
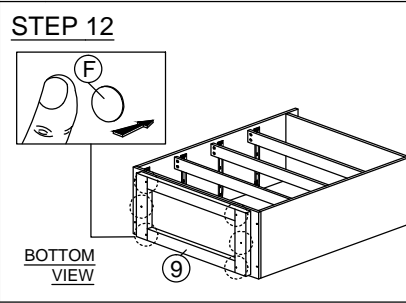
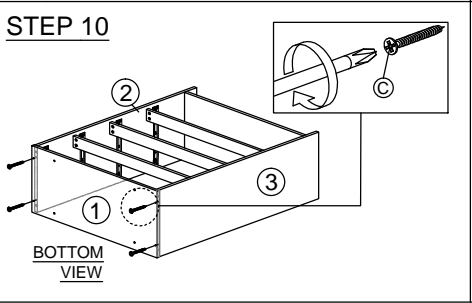
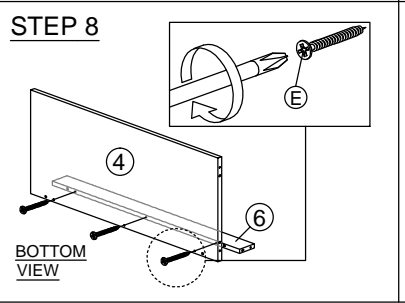
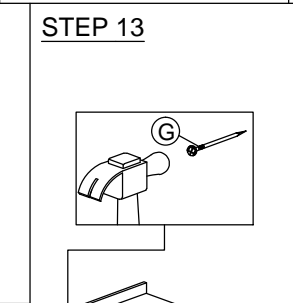
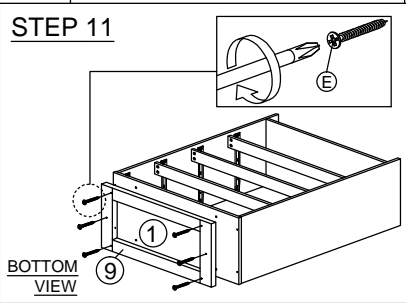
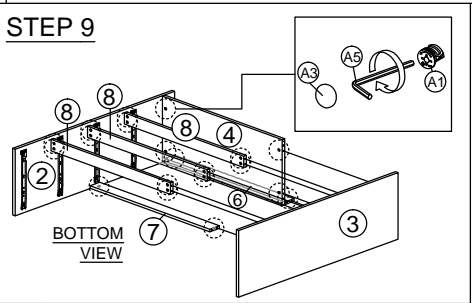
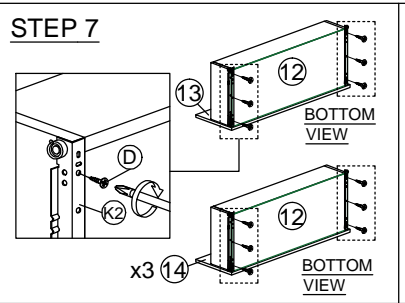
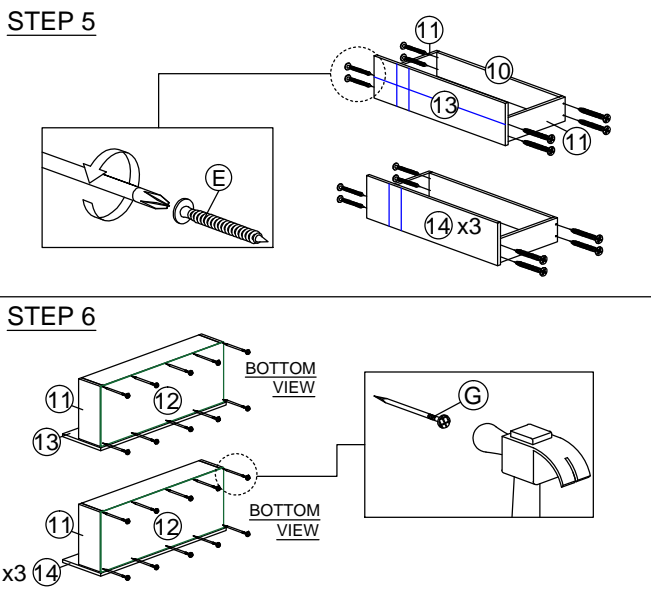
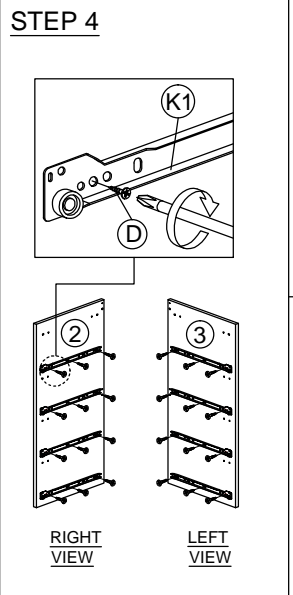
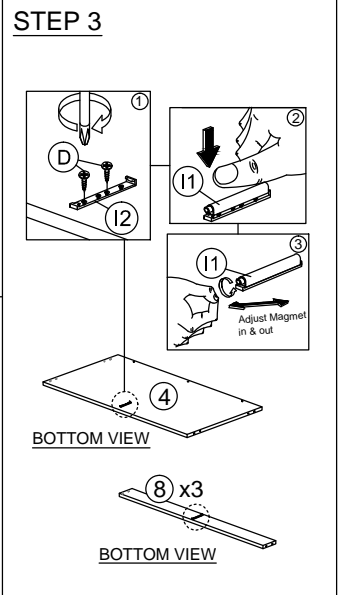
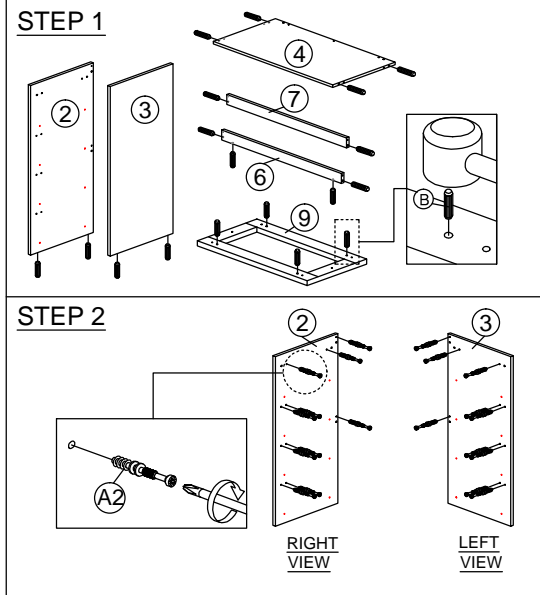
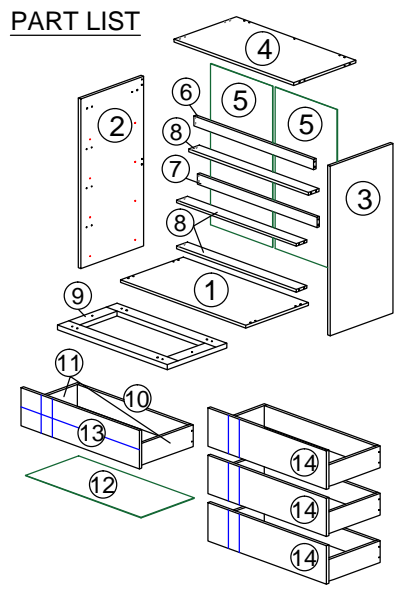
ASSEMBLY INSTRUCTION

MODEL : ANYA 2503 CD

DESC : 4 DRAWERS CHEST

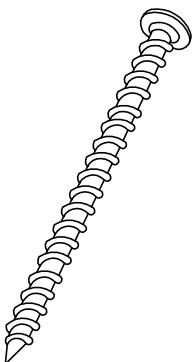
HARDWARE

A	A5	B	C	D	E	F	G	I	K
A1 A2 A3 MINIFIX (HOUSING) MINIFIX (EURO 24) MINIFIX CAP	A5 L KEY M4	B WOOD DOWEL M8 X 25MM	C CB SCREW M4X45MM	D CB SCREW M3.5X16MM	E CB SCREW M4X38MM	F FOOT PAD 25MM	G NAIL 5/8	I I1 I2 I3 I4 566 DOOR DAMPER 4 SETS	K K1 K2 DRAWER SLIDE 14" 4 SETS
20 SETS	1	18	4	56	41	6	75		

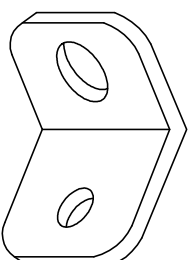


Installation of Anti-Tip Restraint

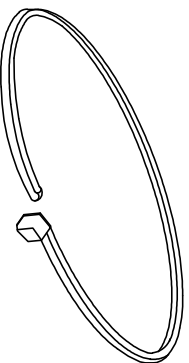
Kit includes:



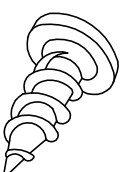
A (x1)
Long screw



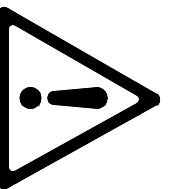
B (x2)
Mounting bracket



C (x1)
Restraint strap



D (x1)
Short screw



WARNING

Serious of fatal crushing injuries can occur from furniture tip-over. To help Prevent tip-over:

- Install tip-over restraint provided
- Place heaviest items in the lower drawers
- Do not set TV's or other heavy objects on top of this product
- Never allow children to climb or hang on drawers, doors or shelves
- Never open more than one drawer at a time
- Do not defeat or remove the drawer interlock system

Use tip-over restraints may only reduce but not eliminate the risk of tip-over.

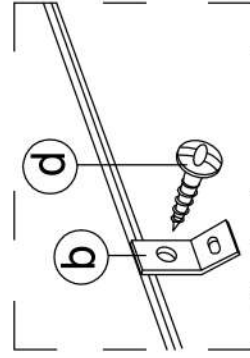


IMPORTANT: Use of this safety kit is mandatory. This restraint is not a substitute for proper adult supervision. Failure to detach this restraint before moving furniture may result in injury and damage.

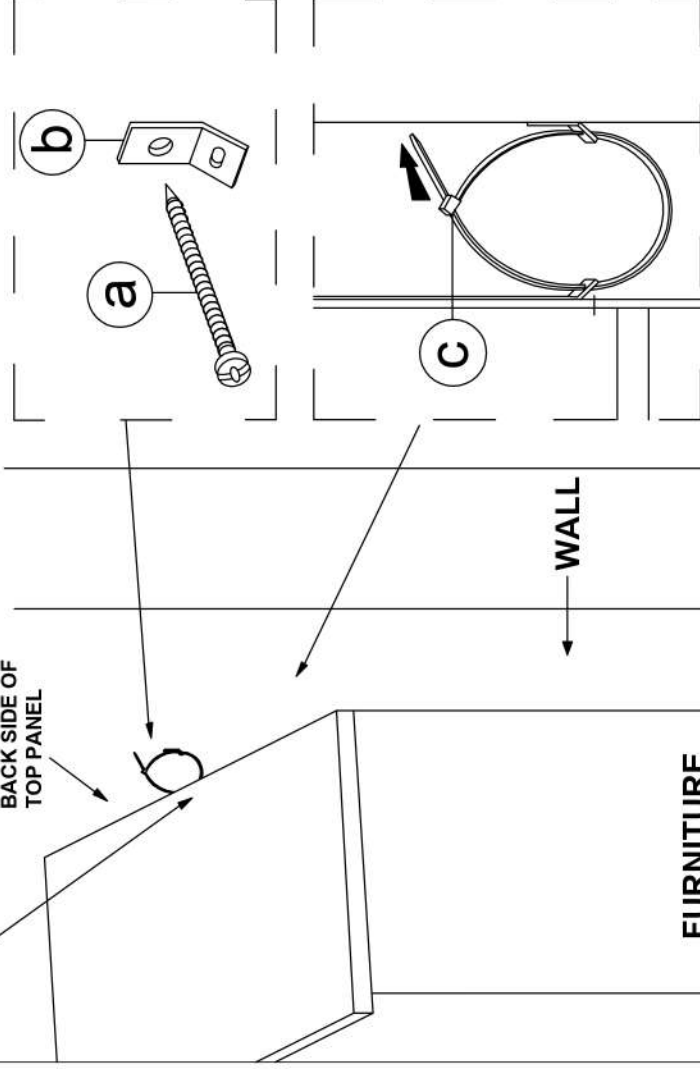
FITTING OF ANTI-TIP SAFETY STRAP

STEP 1:

- Attach the mounting bracket **(b)** to the furniture in the solid part below the top panel a few inches away from the side of the unit.
- Screw **(d)** through the smallest hole of **(b)**.



BACK SIDE OF TOP PANEL



STEP 2:

- Locate a stud in the wall behind the area where you have to place the furniture.
- Place the other mounting bracket **(b)** on the wall stud 2 inches below the mounting bracket secured to the back of your unit.
- Attach to the wall stud using **(a)** through the smaller hole of **(b)**.

STEP 3:

- Repeat the same step a few inches away from the other side of the unit.
- Place the furniture into position so both mounting brackets are vertically in line.
- Lace the end of the restraint strap through the larger holes in each mounting bracket.
- Secure the straps and lock into place.

